



US00D988283S

(12) **United States Design Patent**
Shuai

(10) **Patent No.:** **US D988,283 S**

(45) **Date of Patent:** **** Jun. 6, 2023**

(54) **BABY MONITOR**

(71) Applicant: **Bin Shuai**, Guangdong (CN)

(72) Inventor: **Bin Shuai**, Guangdong (CN)

(**) Term: **15 Years**

(21) Appl. No.: **29/796,248**

(22) Filed: **Jun. 23, 2021**

(51) **LOC (14) Cl.** **14-03**

(52) **U.S. Cl.**
USPC **D14/159**

(58) **Field of Classification Search**
USPC D14/167, 154, 168, 188, 496, 156, 160,
D14/161, 162, 163, 164, 165, 158, 253,
D14/192, 159, 155, 138 AB, 137, 104.1;
455/351, 350, 353; D10/104, 106, 65,
D10/78; 340/573.4, 573.1

CPC . G06F 3/16; G08B 3/00; H04M 11/00; H04N
7/14; H04N 7/26

See application file for complete search history.

(56) **References Cited**

U.S. PATENT DOCUMENTS

D455,165 S *	4/2002	Tsang	D16/202
D510,926 S *	10/2005	Jerome	D14/500
D539,251 S *	3/2007	Heath	D14/137
D540,291 S *	4/2007	Heath	D14/137
D599,820 S *	9/2009	Su	D21/659
D626,983 S *	11/2010	Serge	D16/202
D637,173 S *	5/2011	Elkerbout	D14/159
D666,575 S *	9/2012	Marsh	D14/159

D681,601 S *	5/2013	Gebski	D14/159
D692,854 S *	11/2013	Stabile	D14/207
D727,277 S *	4/2015	Fujioka	D14/159
D803,920 S *	11/2017	Shin	D16/203
D836,698 S *	12/2018	Hathway	D16/202
D849,094 S *	5/2019	Gan	D16/203
D850,403 S *	6/2019	Liu	D14/159
D863,249 S *	10/2019	Xie	D14/159
D864,276 S *	10/2019	Hathway	D16/203
D895,565 S *	9/2020	Tang	D14/159
D935,430 S *	11/2021	Xie	D14/159

* cited by examiner

Primary Examiner — Austin Murphy

(57) **CLAIM**

The ornamental design for a baby monitor, as shown and described.

DESCRIPTION

FIG. 1 is a perspective view of a baby monitor showing our new design;

FIG. 2 is another perspective view thereof;

FIG. 3 is a front view thereof;

FIG. 4 is a back view thereof;

FIG. 5 is a left view thereof;

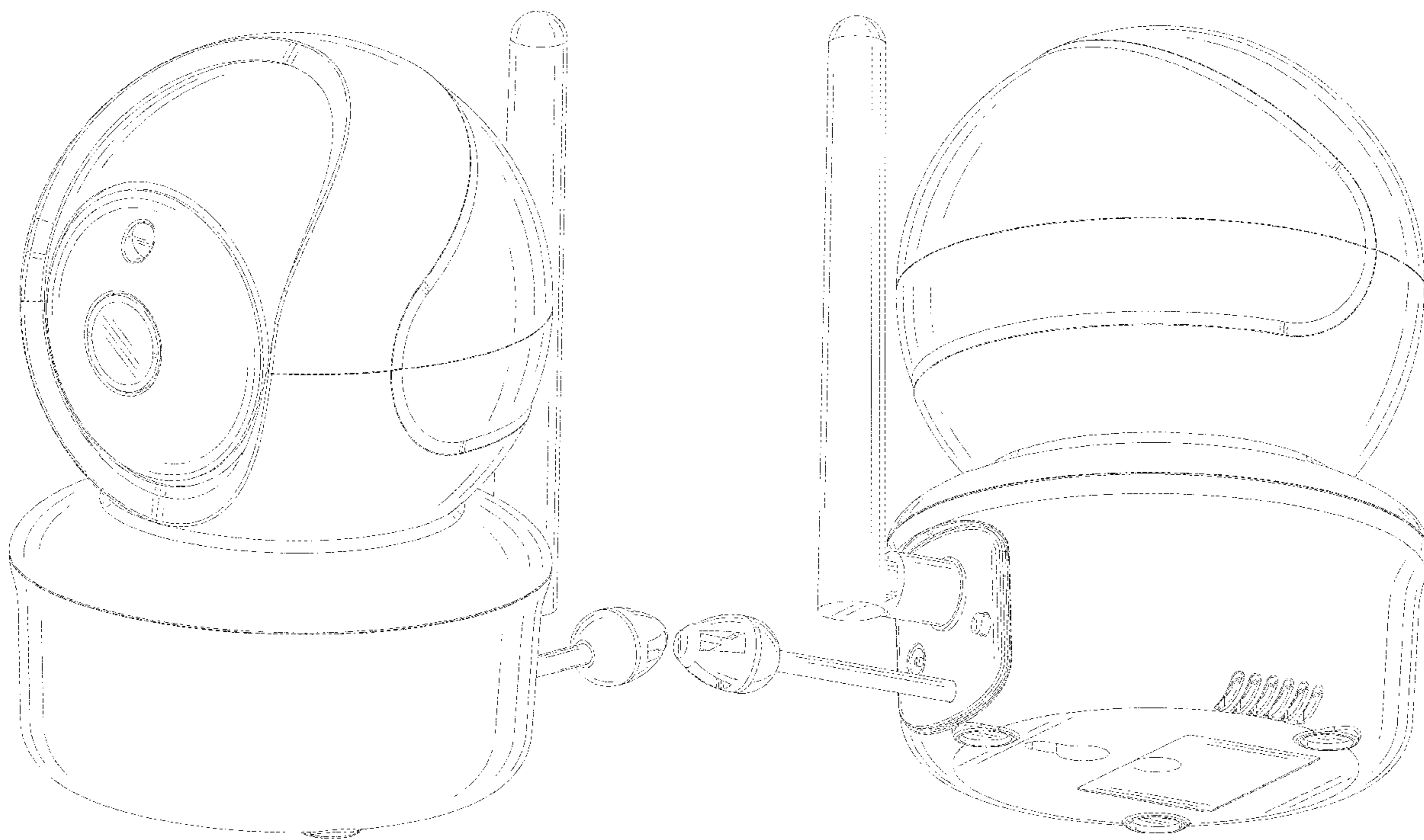
FIG. 6 is a right view thereof;

FIG. 7 is a top view thereof; and,

FIG. 8 is a bottom view thereof.

The broken lines shown on the drawings depict portions of the baby monitor that form no part of the claimed design.

1 Claim, 8 Drawing Sheets



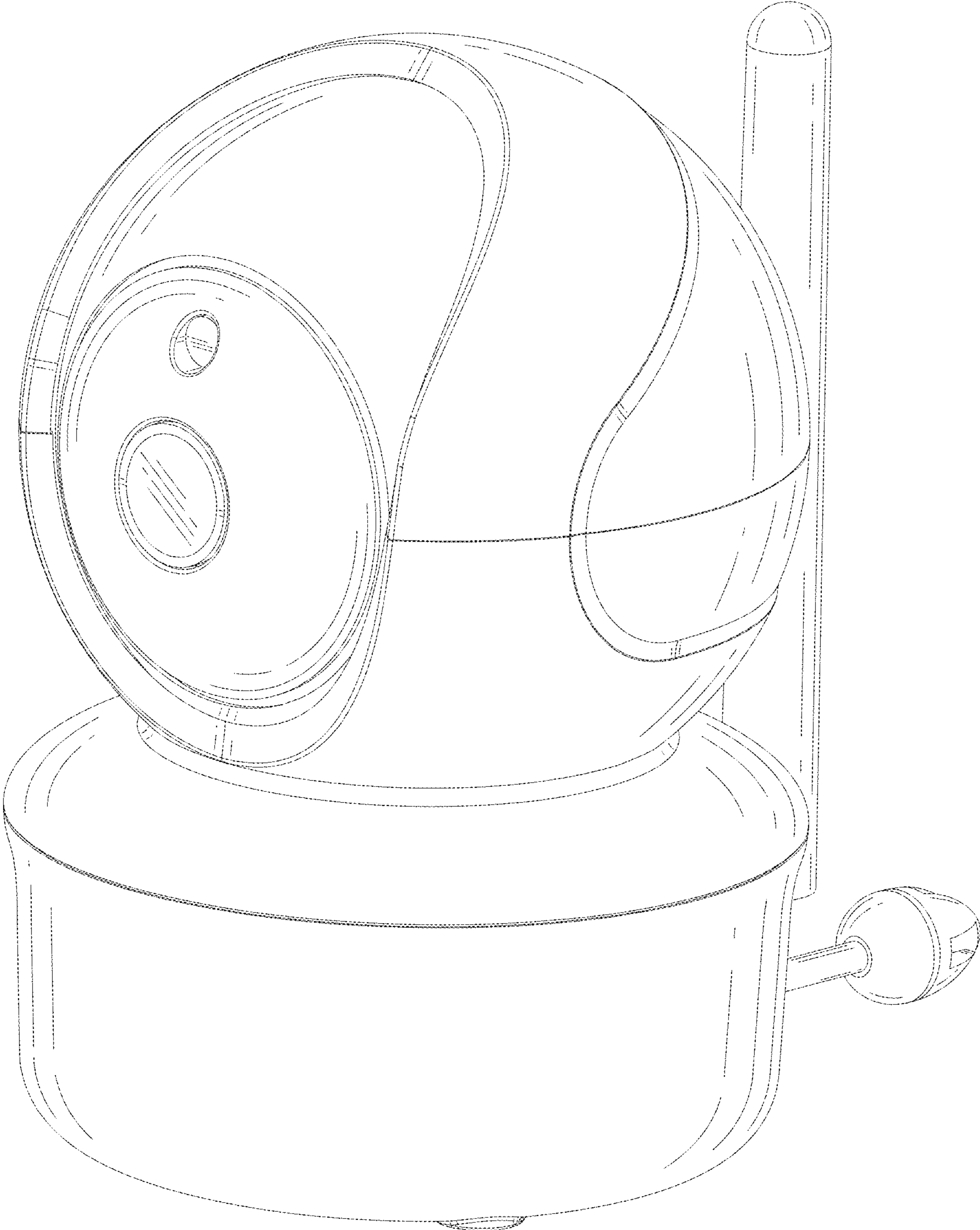


FIG. 1

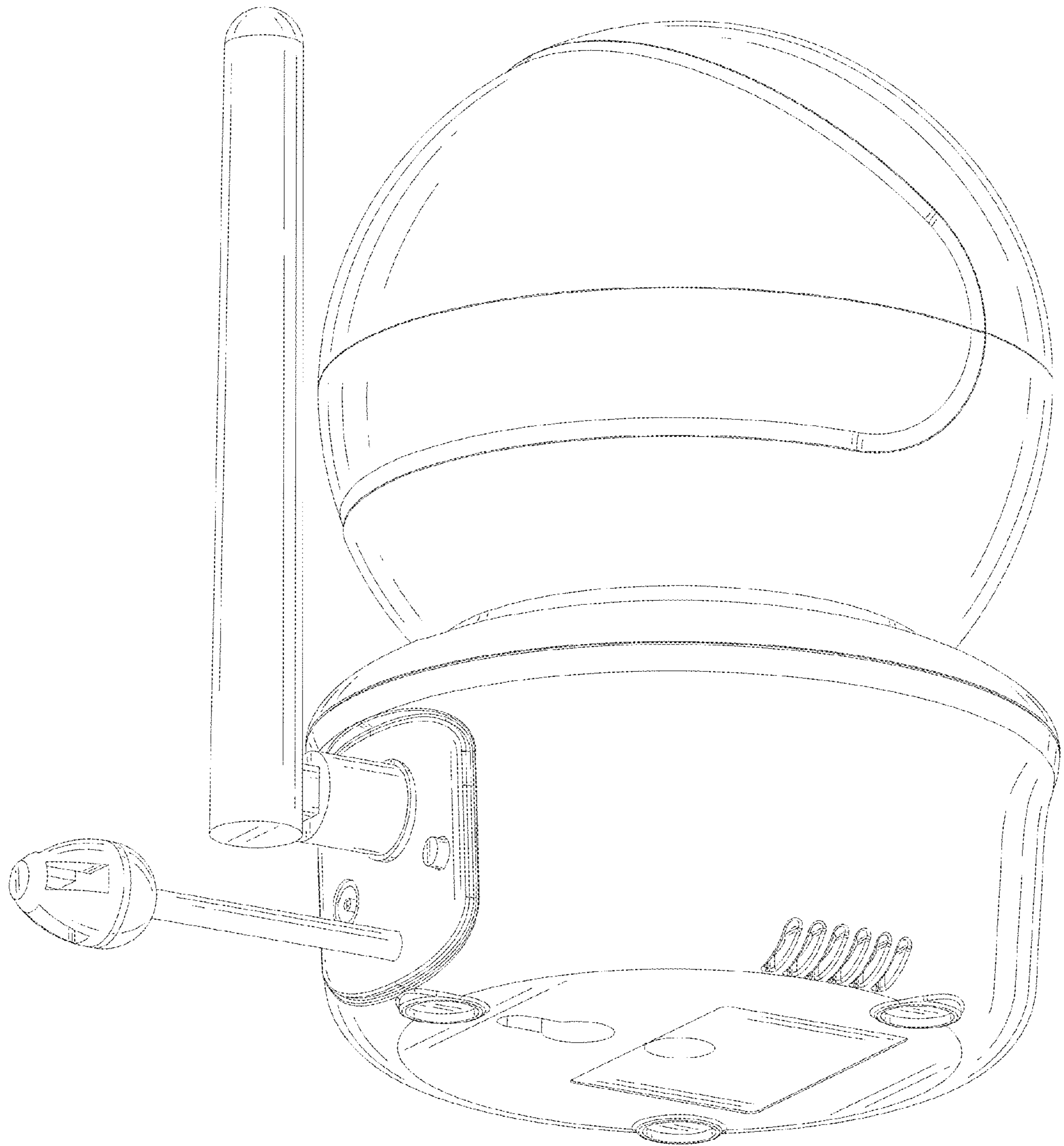


FIG. 2

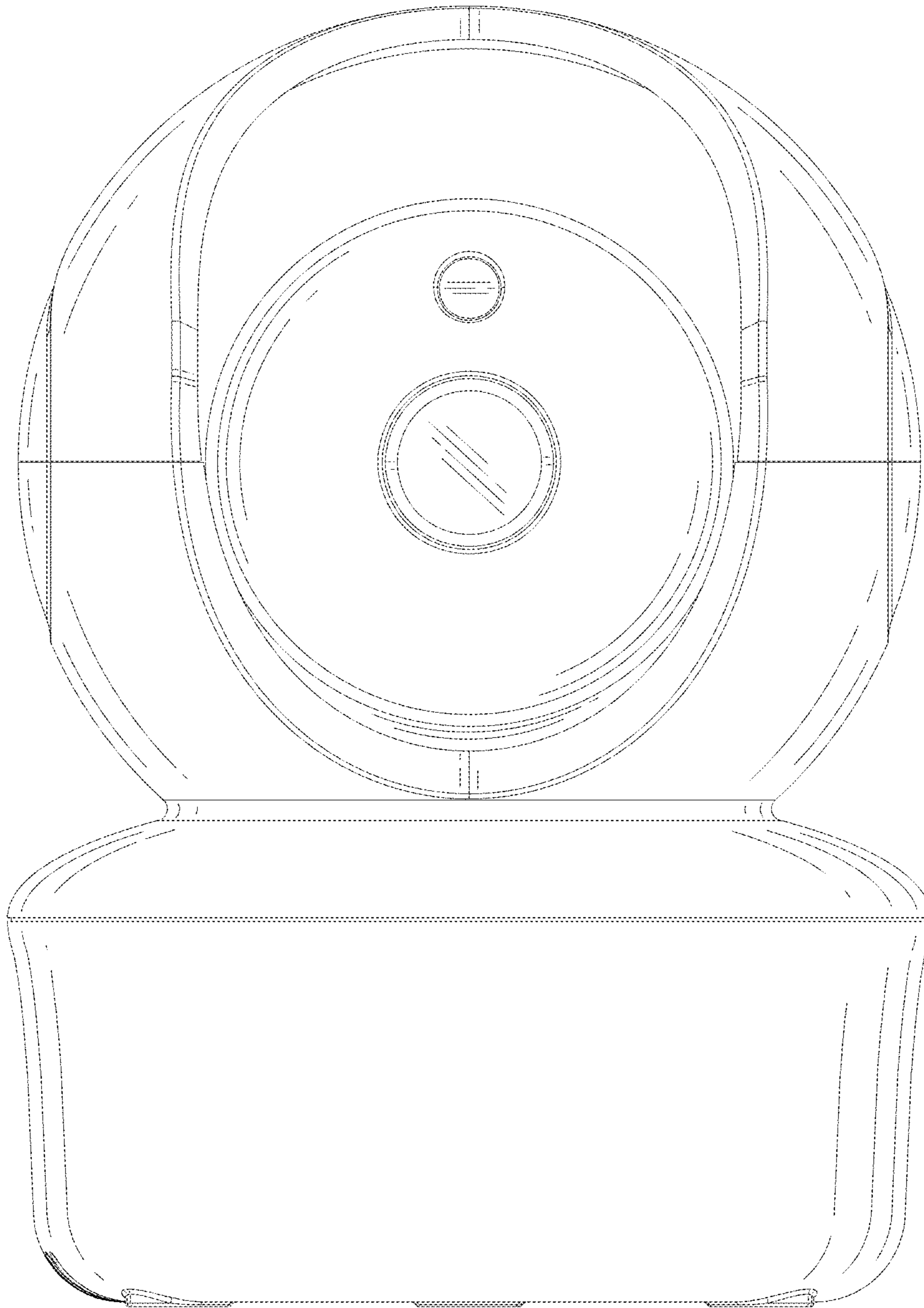


FIG. 3

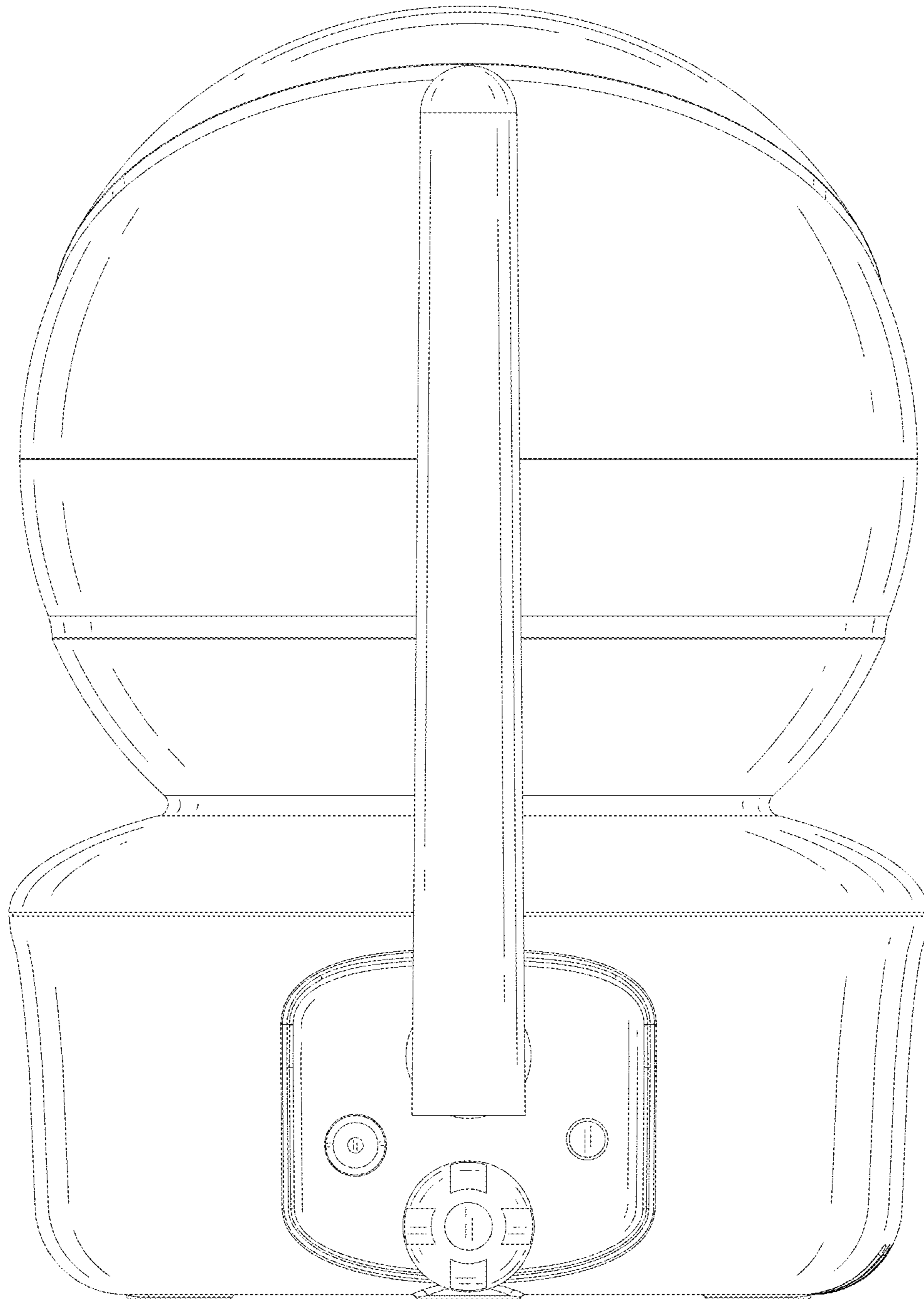


FIG. 4

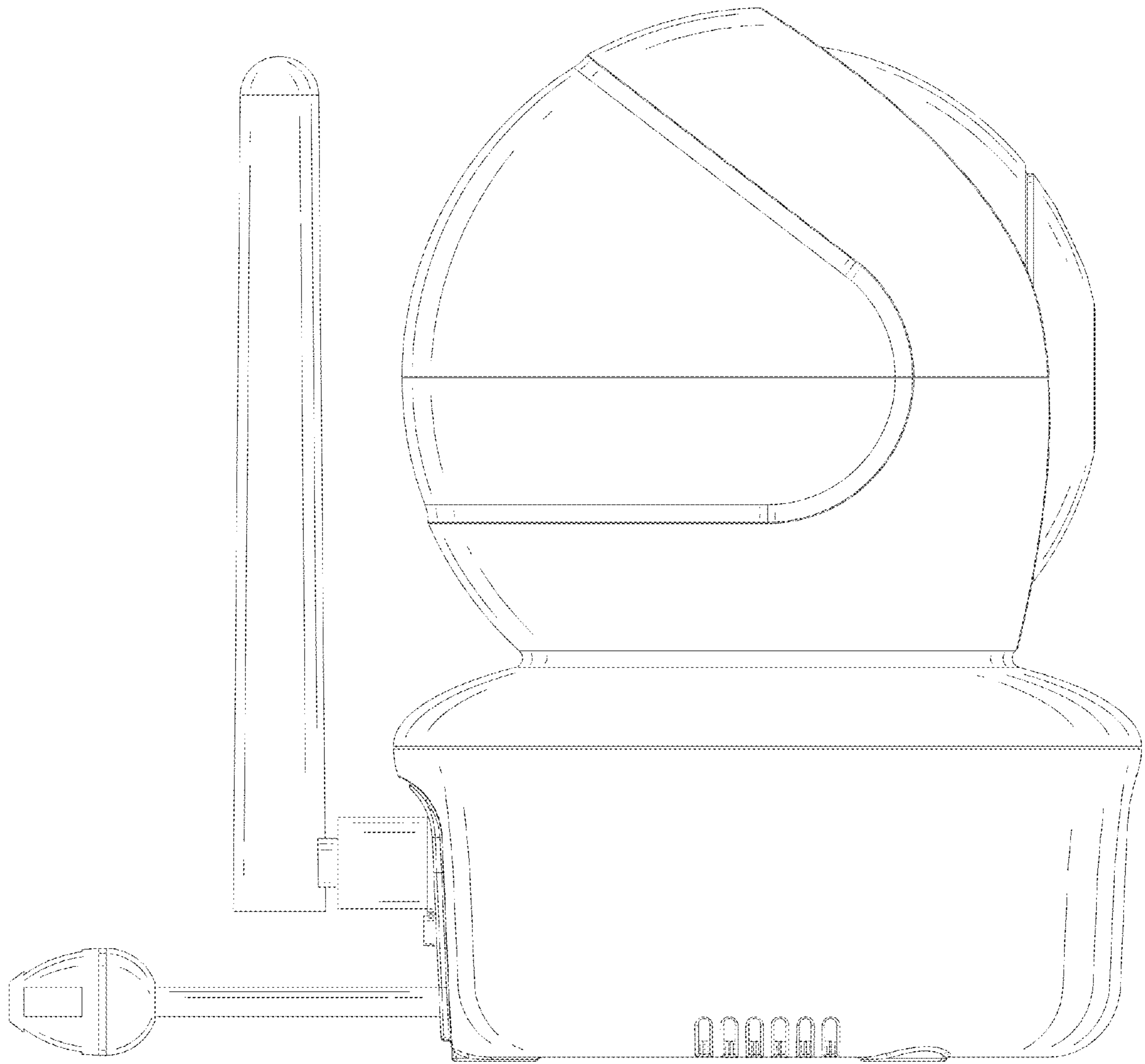


FIG. 5

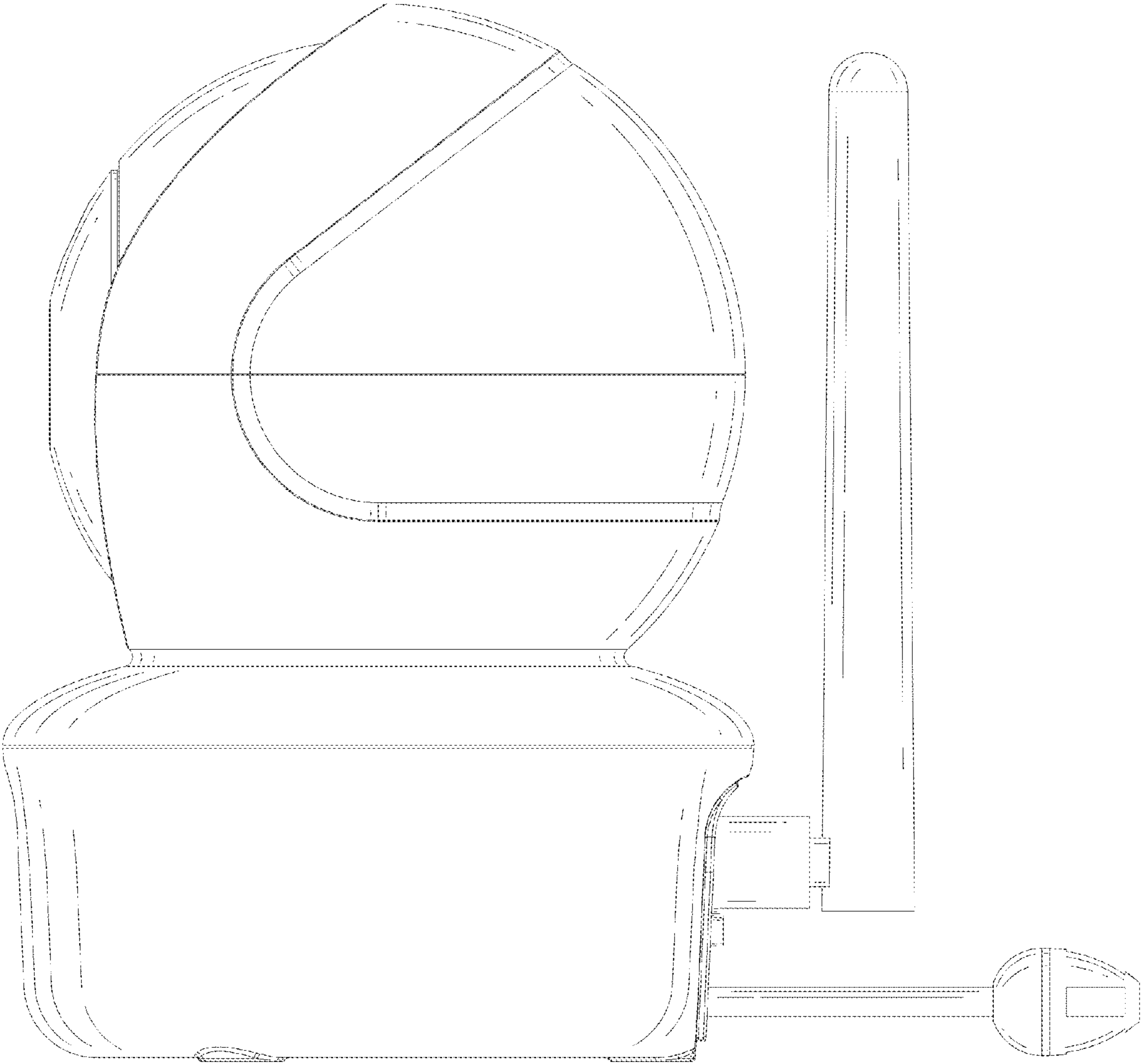


FIG. 6

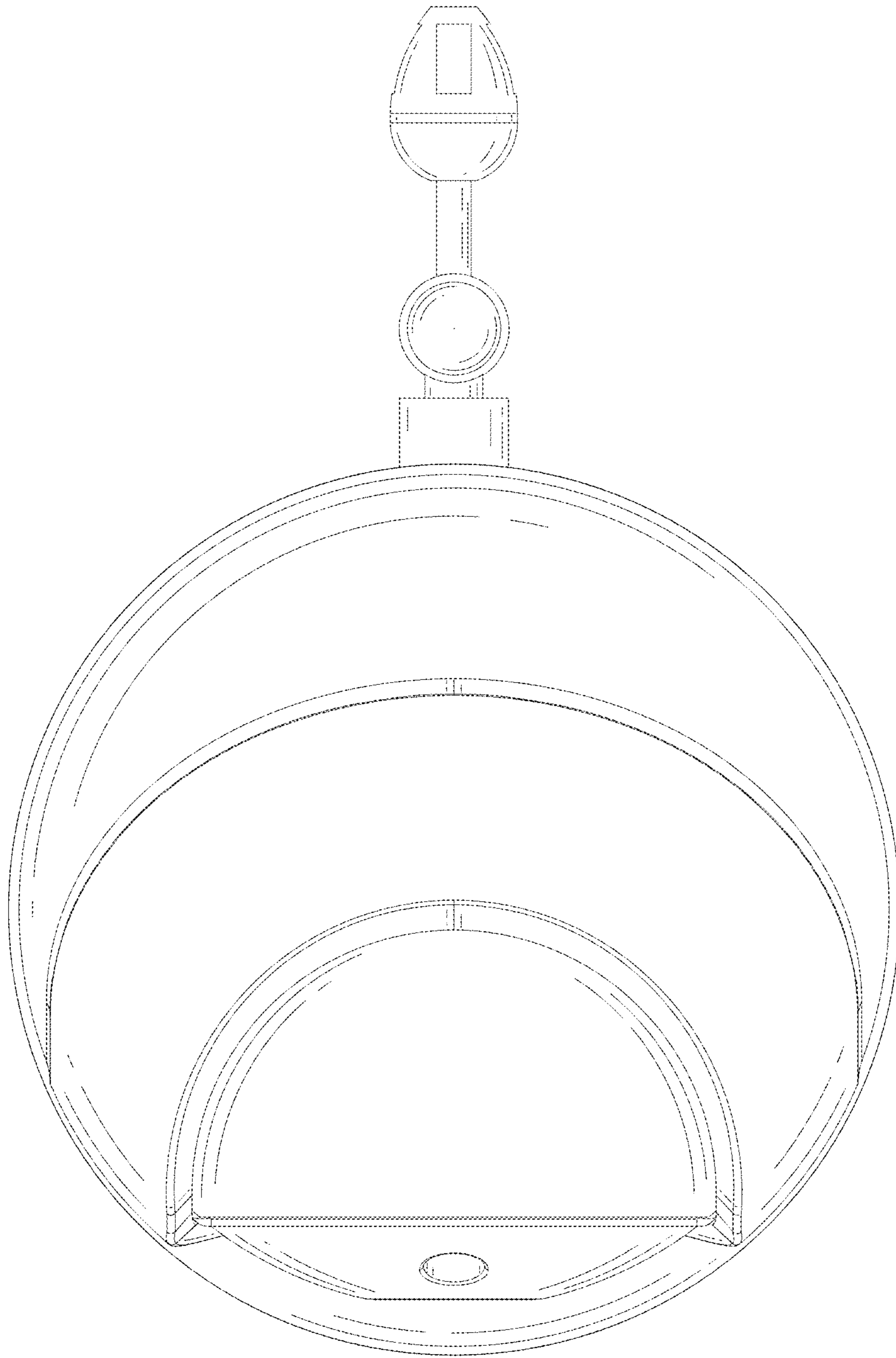


FIG. 7

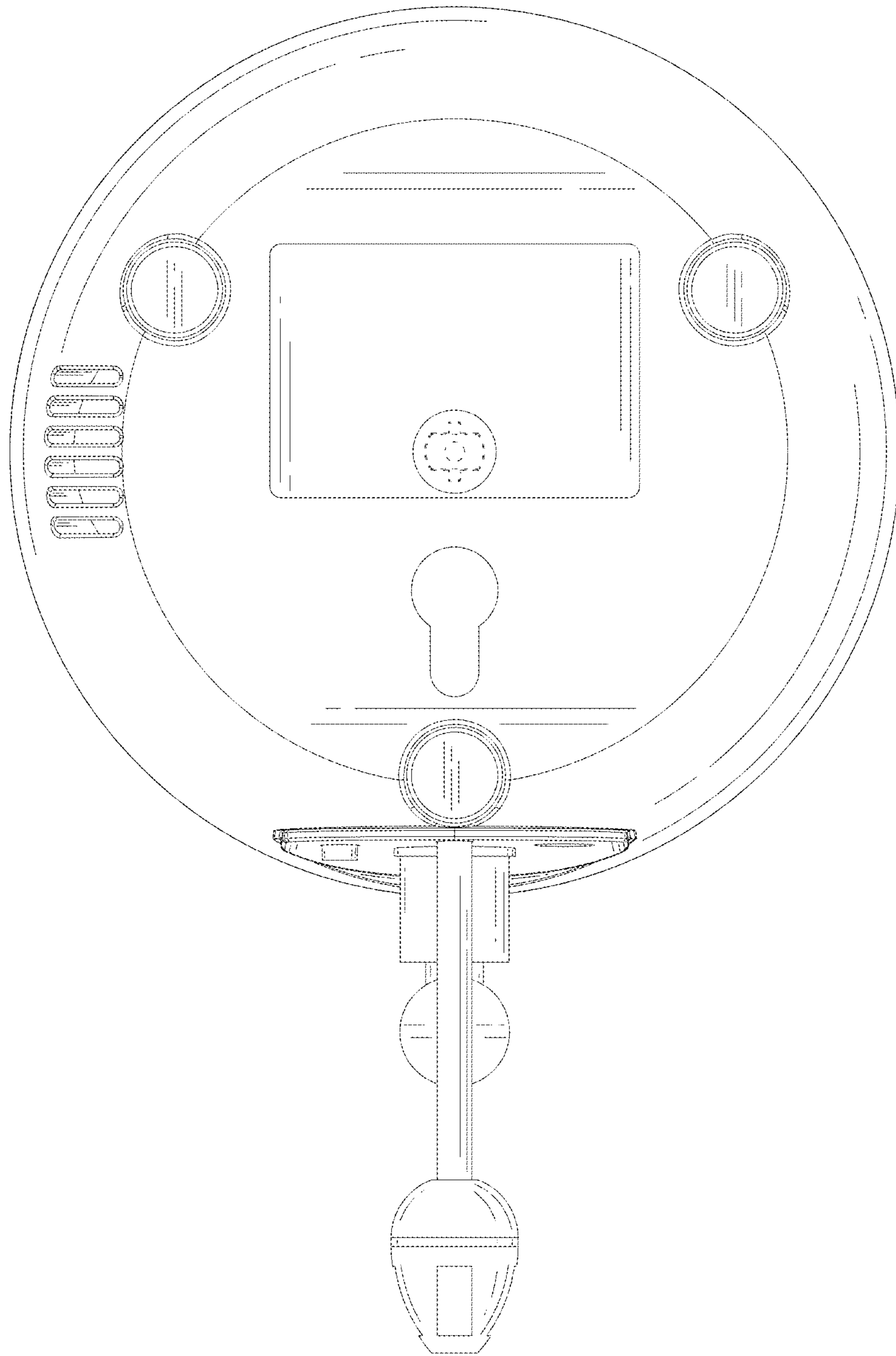


FIG. 8