



US00D988278S

(12) **United States Design Patent**  
**Moon et al.**

(10) **Patent No.:** **US D988,278 S**  
(45) **Date of Patent:** **\*\* Jun. 6, 2023**

(54) **TELEVISION**

FOREIGN PATENT DOCUMENTS

(71) Applicant: **Samsung Electronics Co., Ltd.**,  
Suwon-si (KR)

CN 303711061 6/2016  
CN 305586745 2/2020

(Continued)

(72) Inventors: **Sinwi Moon**, Suwon-si (KR); **Jaewook Yoo**, Suwon-si (KR); **Daehun Jung**, Suwon-si (KR); **Byungmin Woo**, Suwon-si (KR); **Dongwook Kim**, Suwon-si (KR); **Jeewon Kim**, Suwon-si (KR)

OTHER PUBLICATIONS

Samsung QN75Q70AA, first available Jun. 24, 2021 [online], [retrieved Jan. 10, 2023]. Available from the Internet, URL: <https://a.co/d/52cNrIL>. (Year: 2021).\*

(Continued)

(73) Assignee: **SAMSUNG ELECTRONICS CO., LTD.**, Gyeonggi-Do (KR)

*Primary Examiner* — Dana K Weiland

*Assistant Examiner* — Russell Carnell Smith, Jr.

(\*\*) Term: **15 Years**

(74) *Attorney, Agent, or Firm* — Cantor Colburn LLP

(21) Appl. No.: **29/853,107**

(57) **CLAIM**

(22) Filed: **Sep. 13, 2022**

The ornamental design for a television, as shown and described.

**Related U.S. Application Data**

(63) Continuation of application No. 29/795,009, filed on Jun. 16, 2021.

**DESCRIPTION**

(30) **Foreign Application Priority Data**

Dec. 16, 2020 (KR) ..... 30-2020-0062534

(51) **LOC (14) Cl.** ..... **14-03**

(52) **U.S. Cl.**  
USPC ..... **D14/126**

(58) **Field of Classification Search**  
USPC ..... D14/125, 126, 238, 239, 336, 371, 374,  
D14/375, 376, 377, 448, 451; D19/113,  
D19/114; D6/328, 332

(Continued)

FIG. 1 is a front perspective view of a television, showing our new design;  
FIG. 2 is a front view thereof;  
FIG. 3 is a rear view thereof;  
FIG. 4 is a left-side view thereof;  
FIG. 5 is a right-side view thereof;  
FIG. 6 is a top view thereof;  
FIG. 7 is a bottom view thereof;  
FIG. 8 is a rear perspective view thereof;  
FIG. 9 is an enlarged view of portion 9 in FIG. 1;  
FIG. 10 is an enlarged view of portion 10 in FIG. 2;  
FIG. 11 is an enlarged view of portion 11 in FIG. 3;  
FIG. 12 is an enlarged view of portion 12 in FIG. 4;  
FIG. 13 is an enlarged view of portion 13 in FIG. 5;  
FIG. 14 is an enlarged view of portion 14 in FIG. 6;  
FIG. 15 is an enlarged view of portion 15 in FIG. 7; and,  
FIG. 16 is an enlarged view of portion 16 in FIG. 8.

The even-dash broken lines illustrating portions of the television form no part of the claimed design. The dot-dot-

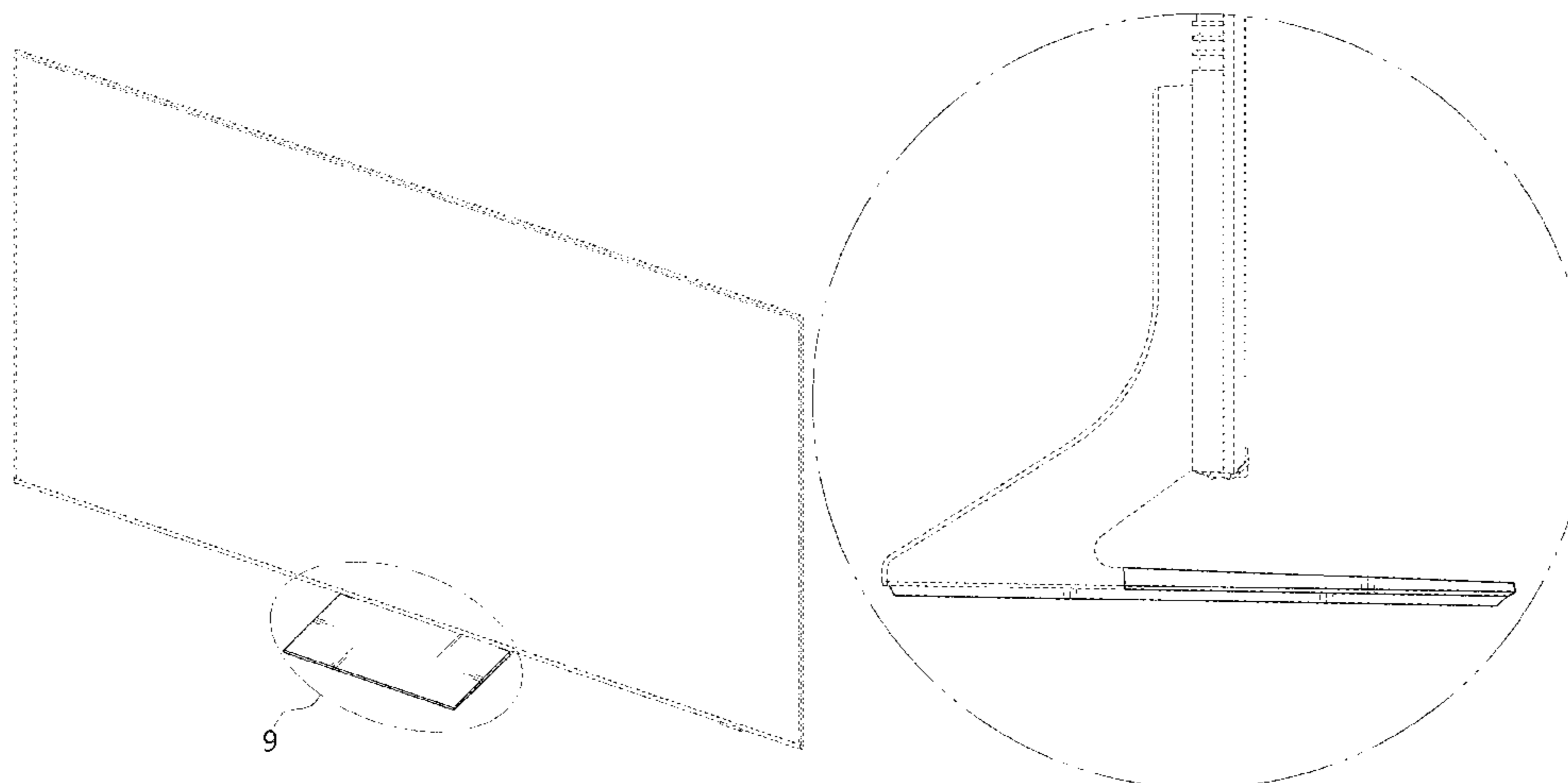
(Continued)

(56) **References Cited**

U.S. PATENT DOCUMENTS

D587,712 S \* 3/2009 Park ..... D14/375  
D663,706 S 7/2012 Cha et al.

(Continued)



dash broken lines encircling portions of the television are included to show an enlarged partial view only and form no part of the claimed design.

**1 Claim, 16 Drawing Sheets**

**(58) Field of Classification Search**

CPC ..... H04N 7/00; H04N 9/3141; H04N 17/04;  
H04N 17/004; H04N 21/43637; G06F  
1/1601; G06F 1/1605; G06F 1/162

See application file for complete search history.

**(56)**

**References Cited**

U.S. PATENT DOCUMENTS

D670,256 S	11/2012	Kim et al.	
D673,571 S *	1/2013	Akana .....	D14/447
D686,585 S *	7/2013	Yoon .....	D14/126
D706,734 S	6/2014	Takami et al.	
D715,755 S *	10/2014	Jang .....	D14/126
D719,142 S *	12/2014	Lee .....	D14/239
D724,040 S *	3/2015	Chan .....	D14/126
D725,617 S	3/2015	Choi	
D738,338 S	9/2015	Lee et al.	
D741,277 S *	10/2015	Shin .....	D14/126
D746,243 S *	12/2015	Gao .....	D14/126
D787,522 S *	5/2017	Lee .....	D14/451
D805,521 S *	12/2017	Zhou .....	D14/451
D806,450 S *	1/2018	Seong .....	D6/672

D822,669 S *	7/2018	Kwon .....	D14/451
D864,136 S	10/2019	Kim et al.	
D881,174 S *	4/2020	Nakamura .....	D14/239
D883,297 S *	5/2020	Latto .....	D14/447
D896,194 S	9/2020	Kim et al.	
D934,879 S *	11/2021	Seo .....	D14/451
D937,824 S *	12/2021	Ye .....	D14/307
D946,544 S	3/2022	Jang et al.	
D947,822 S *	4/2022	Lee .....	D14/126
D947,823 S *	4/2022	Lee .....	D14/126
2011/0096486 A1 *	4/2011	Oh .....	G06F 1/1601 361/679.21

FOREIGN PATENT DOCUMENTS

CN	305625986	2/2020
GB	8206426000-2000	* 2/2020
KR	300748038	6/2014
KR	3020190041769	* 7/2020
KR	3011380100000	11/2021
KR	3011380110000	11/2021
KR	3011380210000	11/2021
KR	3011380220000	11/2021
KR	3011380240000	11/2021

OTHER PUBLICATIONS

QLED Q70A Series, first available May 11, 2021 [online], [retrieved Sep. 19, 2021]. Available from the Internet, URL: <<https://a.co/d/4Had0IL>> (Year: 2021).

\* cited by examiner

FIG. 1

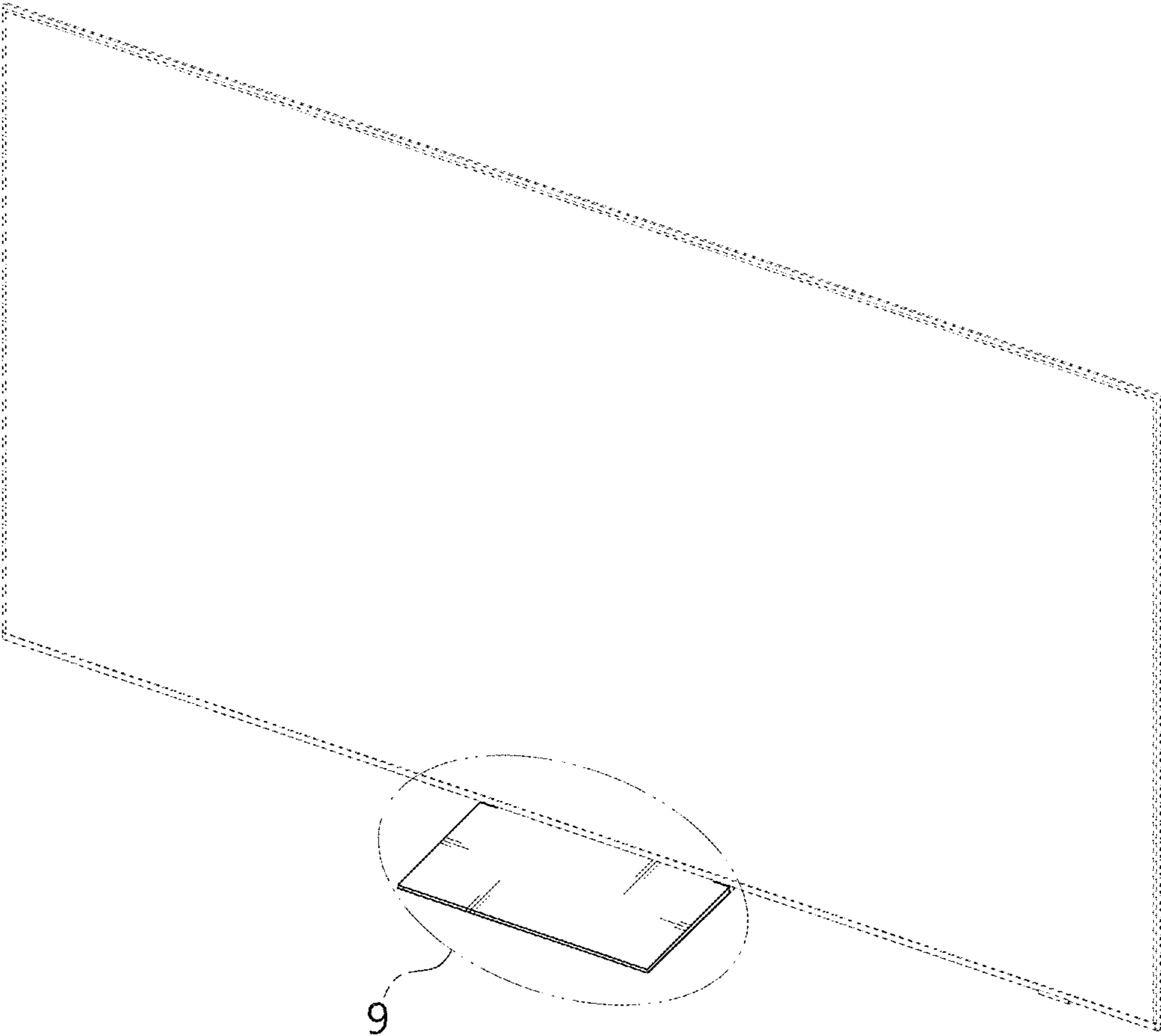


FIG. 2

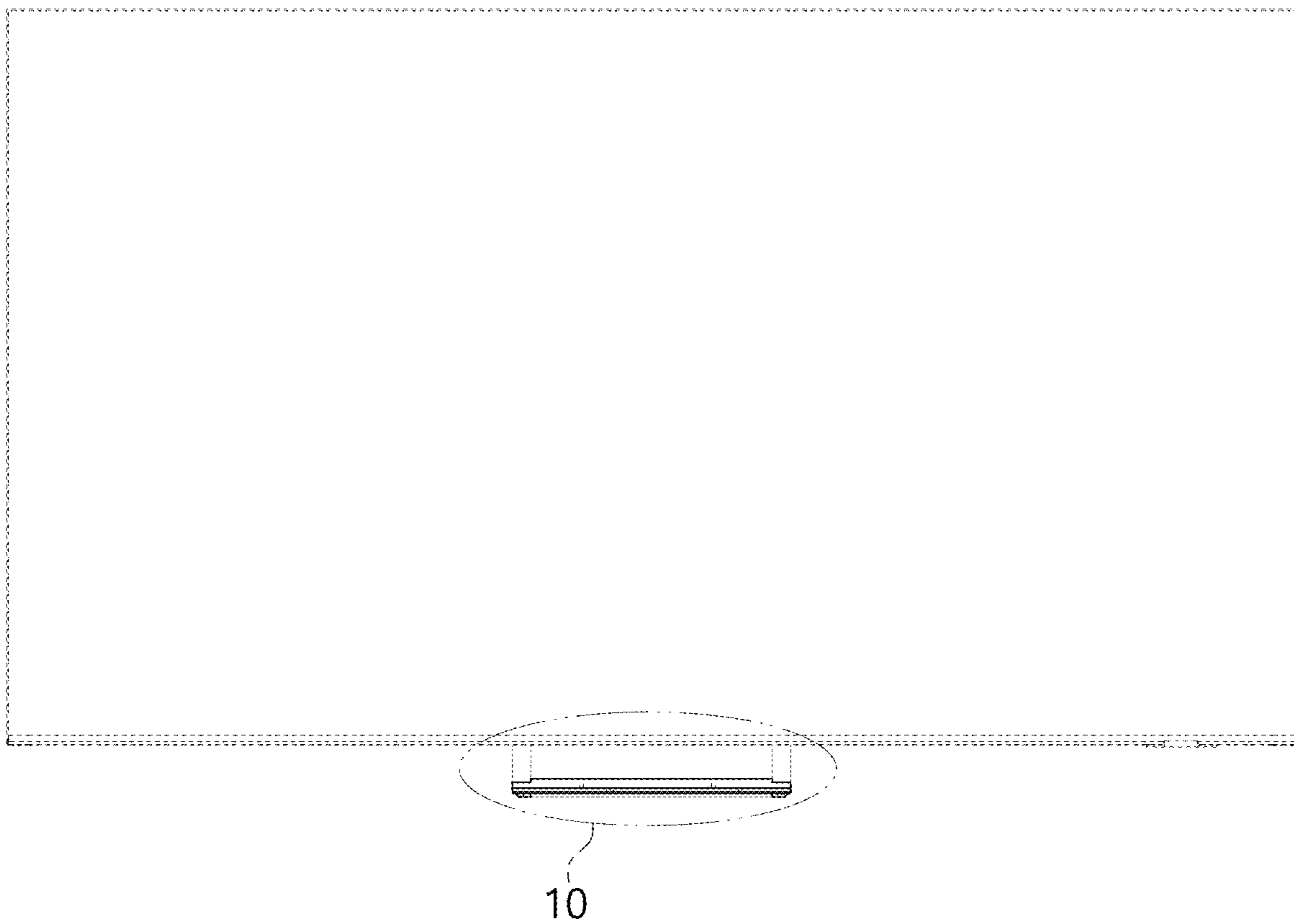


FIG. 3

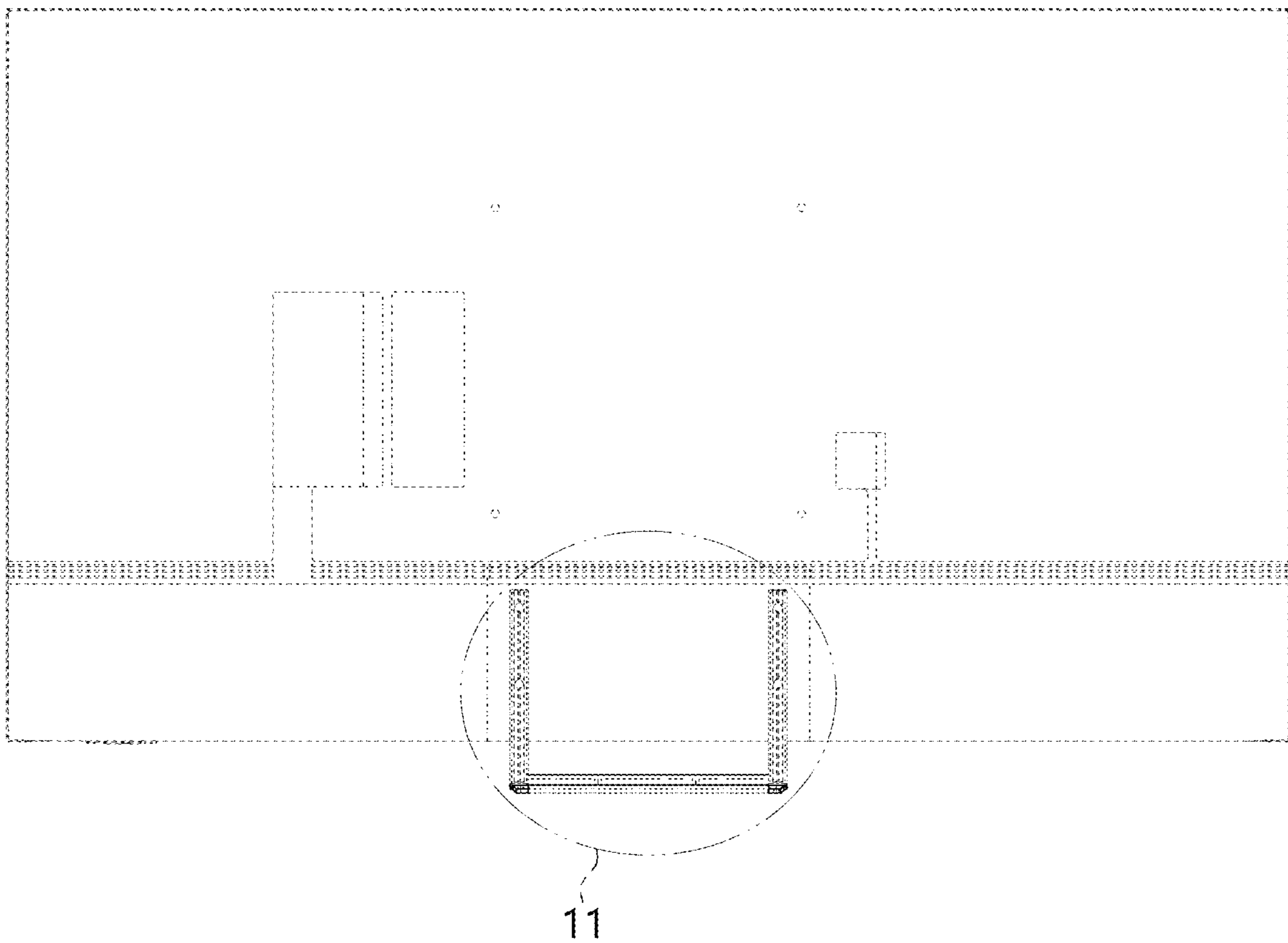


FIG. 4

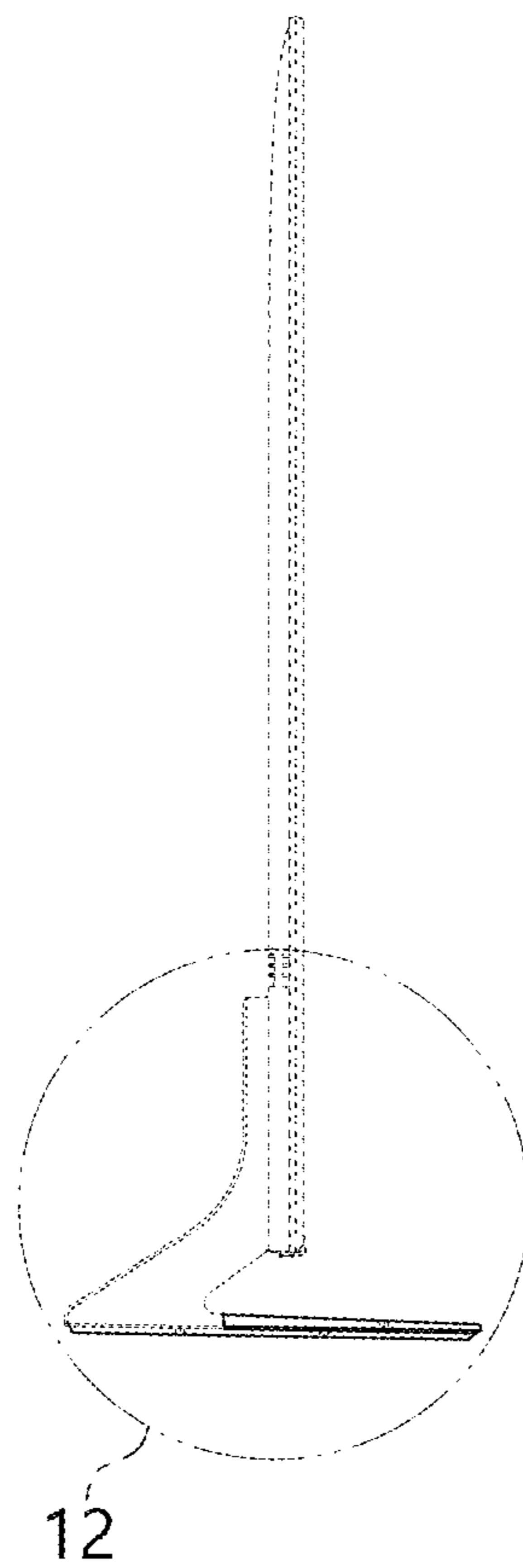


FIG. 5

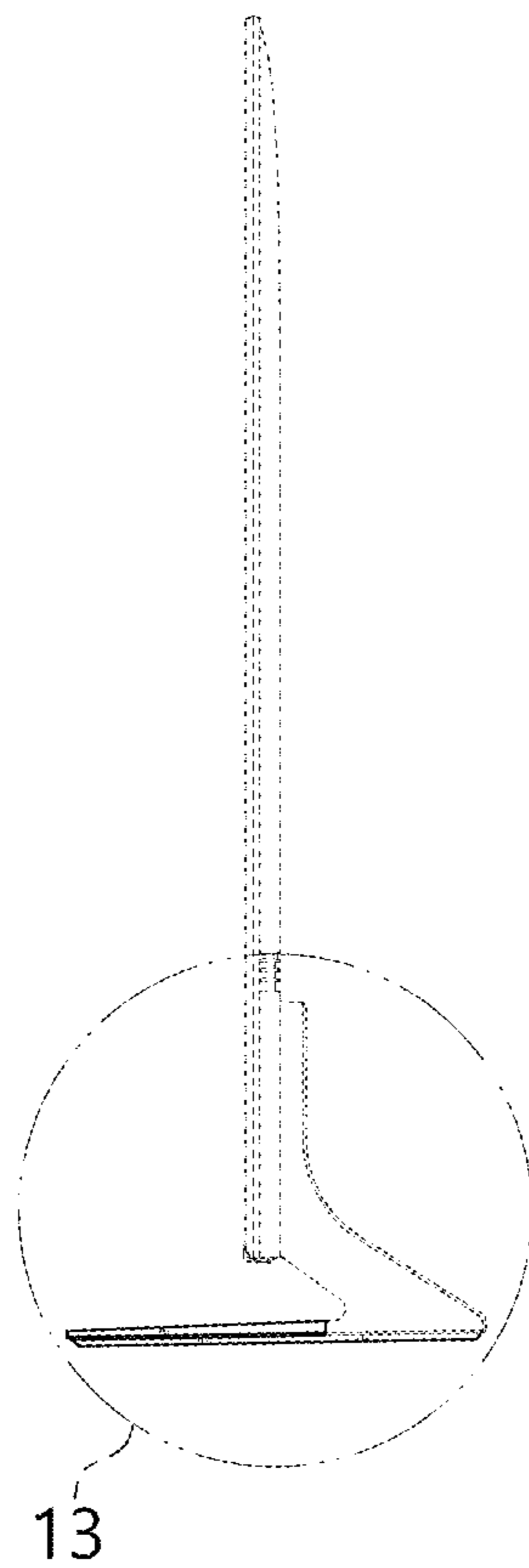


FIG. 6

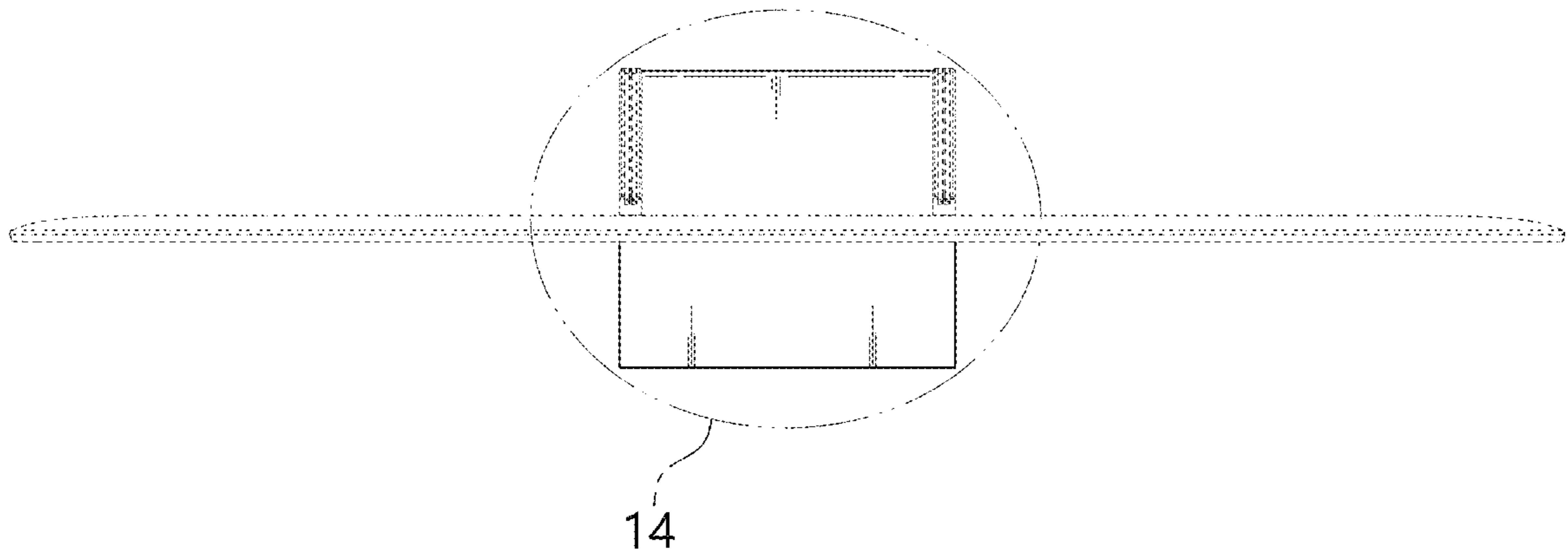




FIG. 7

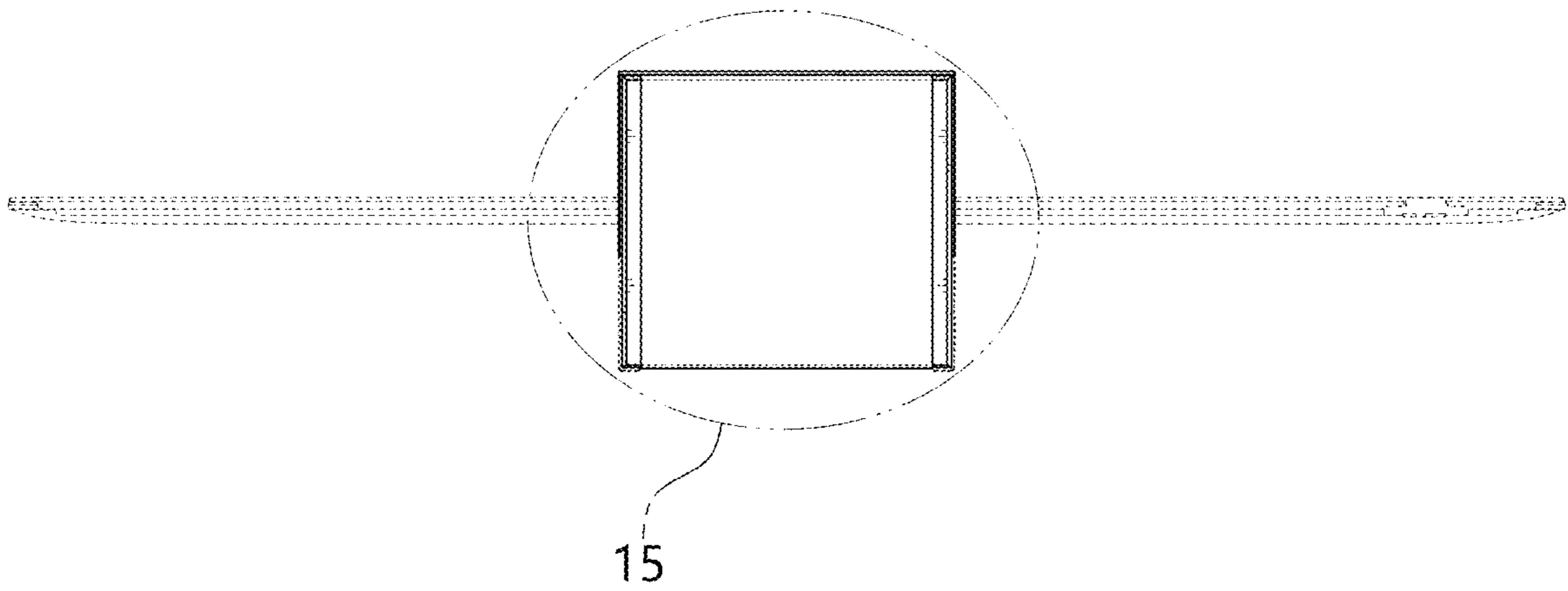


FIG. 8

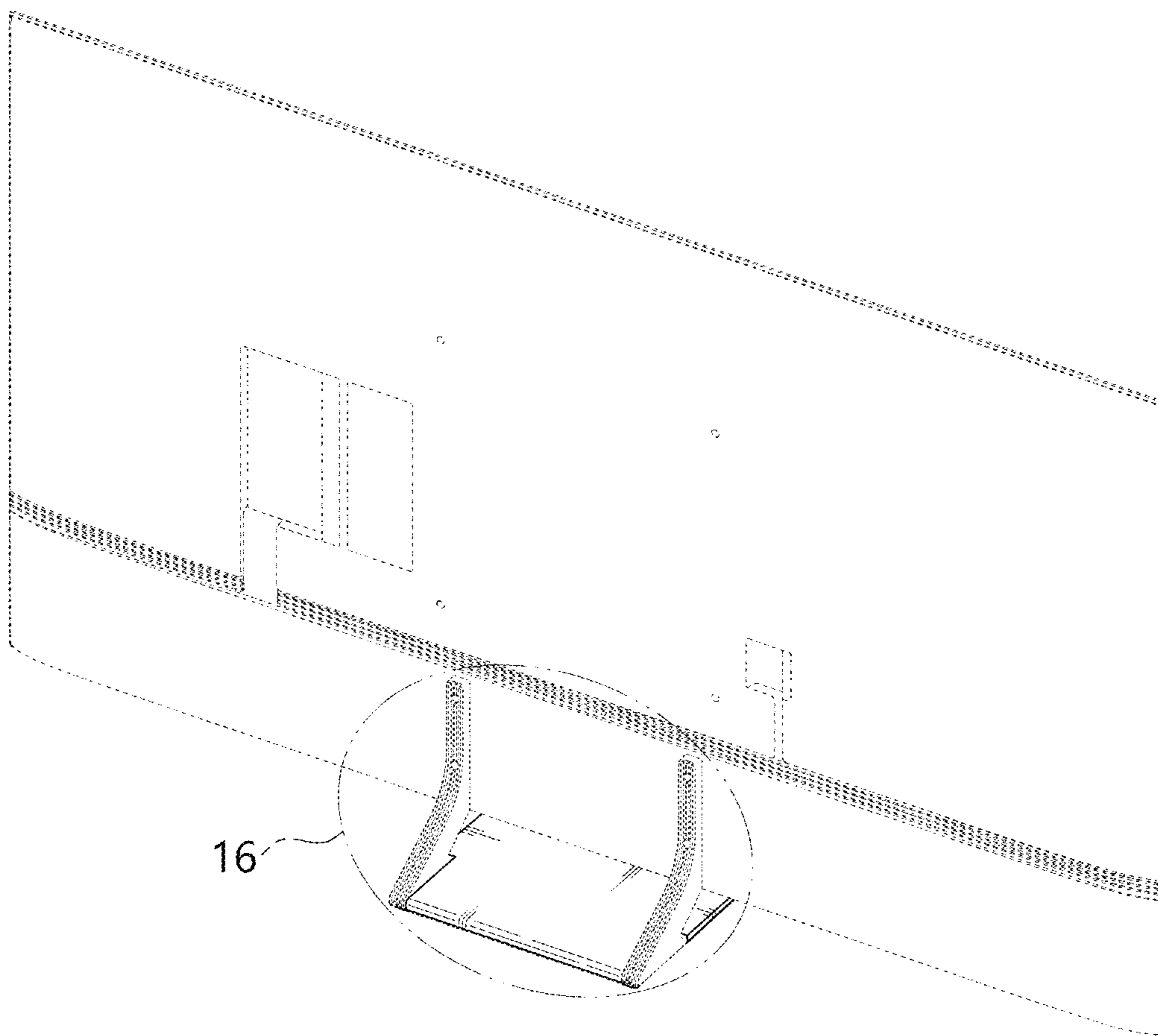


FIG. 9

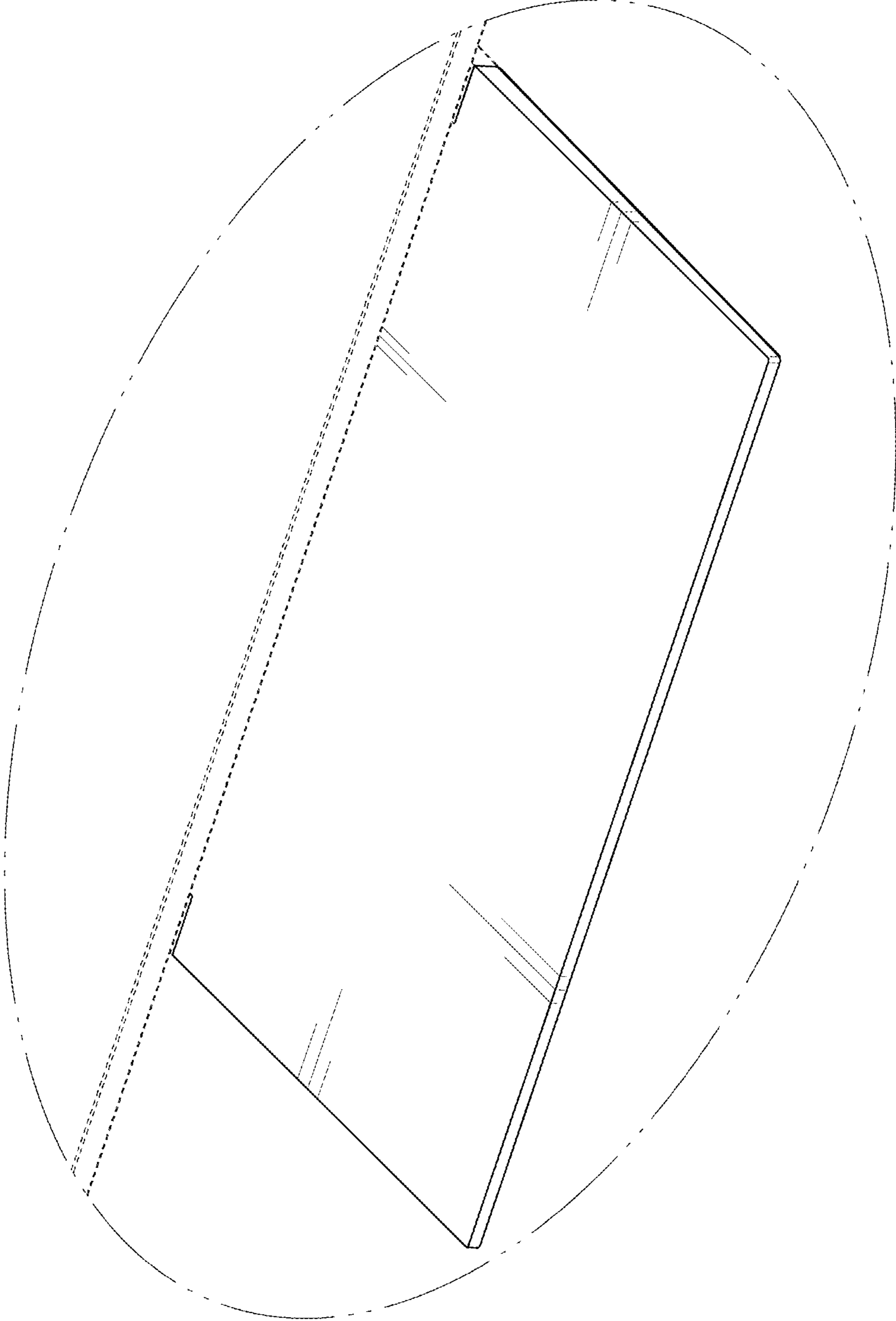


FIG. 10

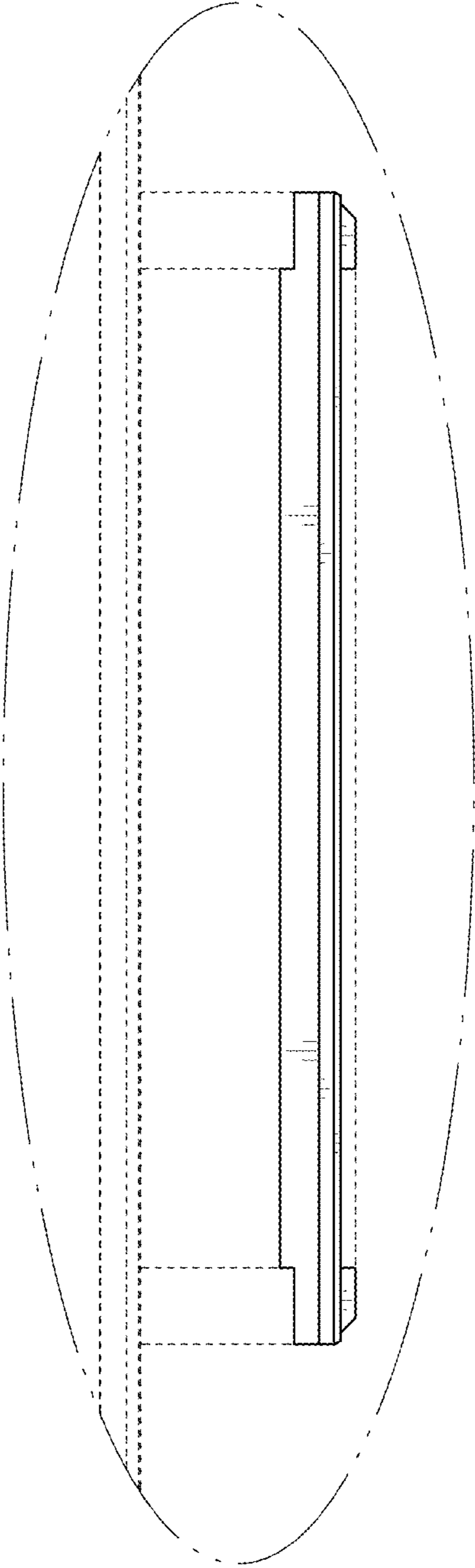


FIG. 11

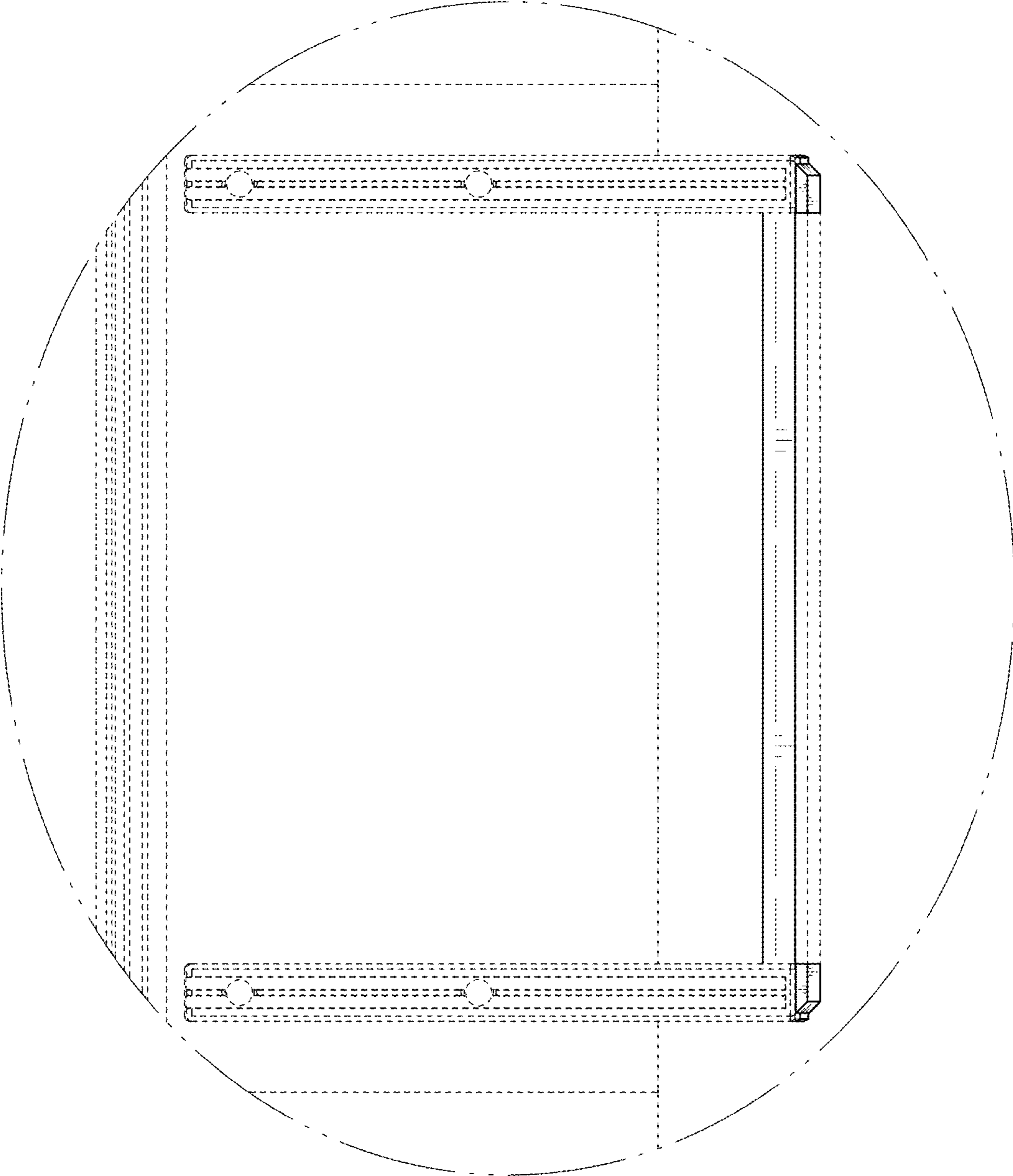


FIG. 12

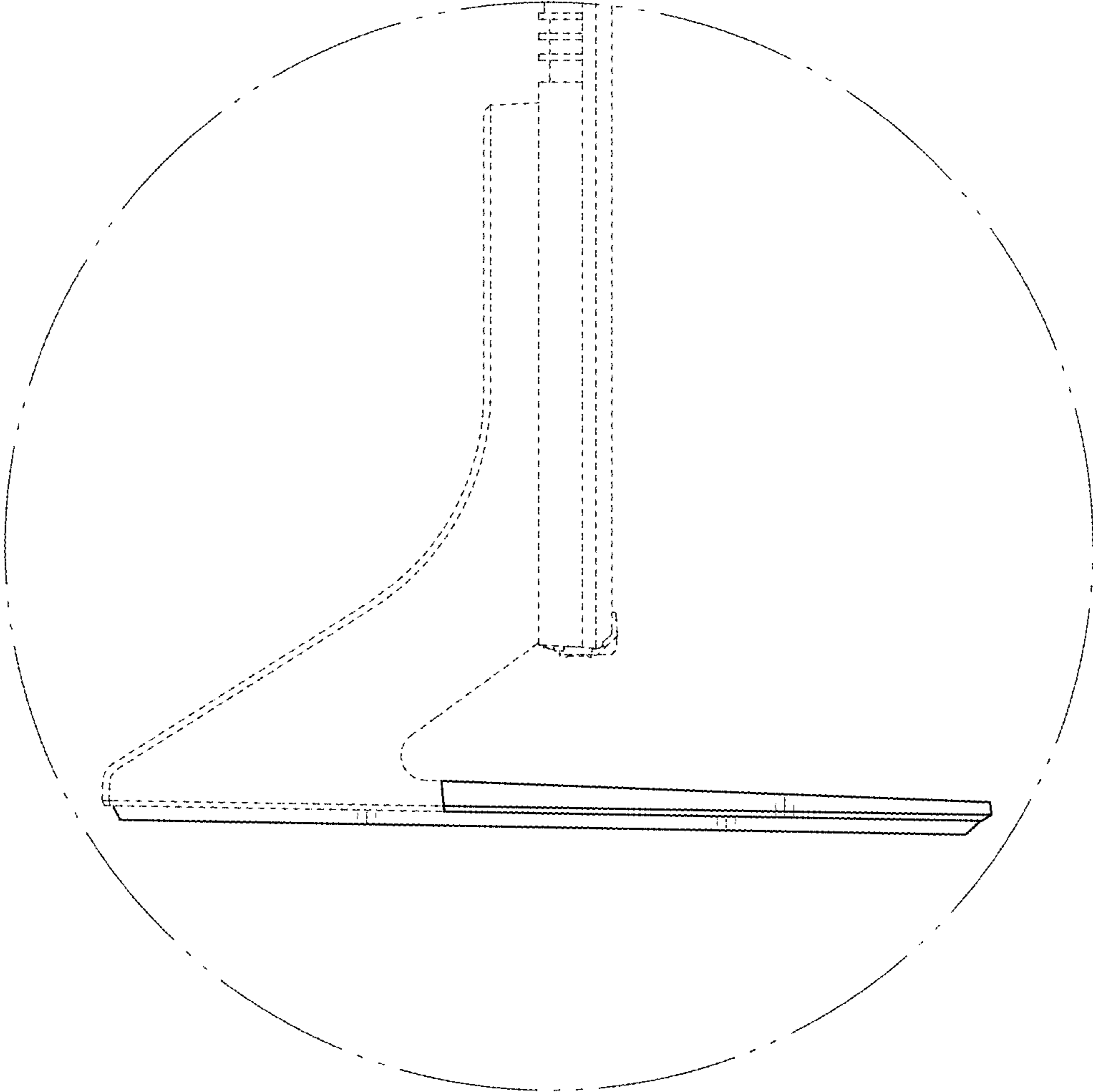


FIG. 13

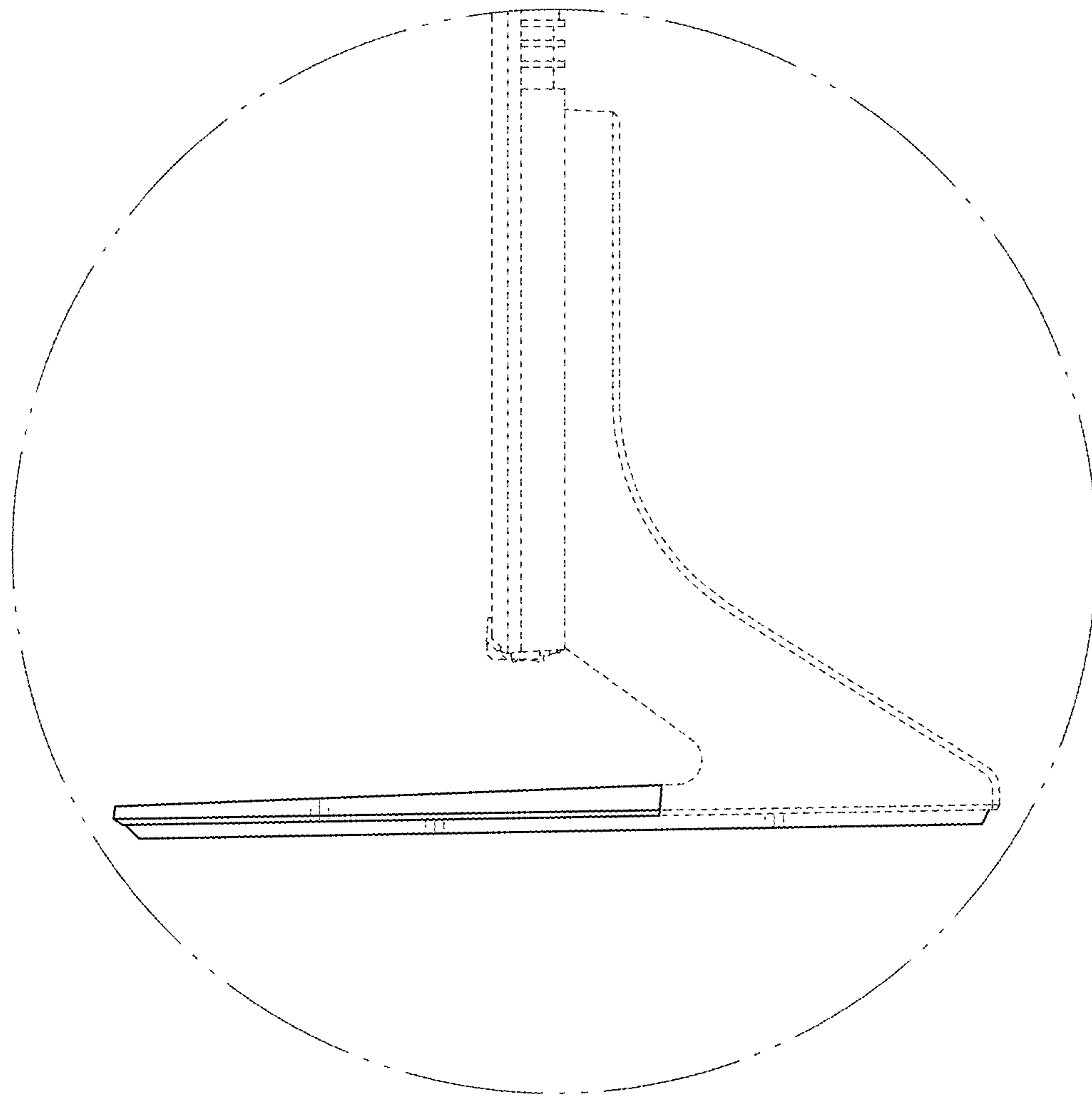


FIG. 14

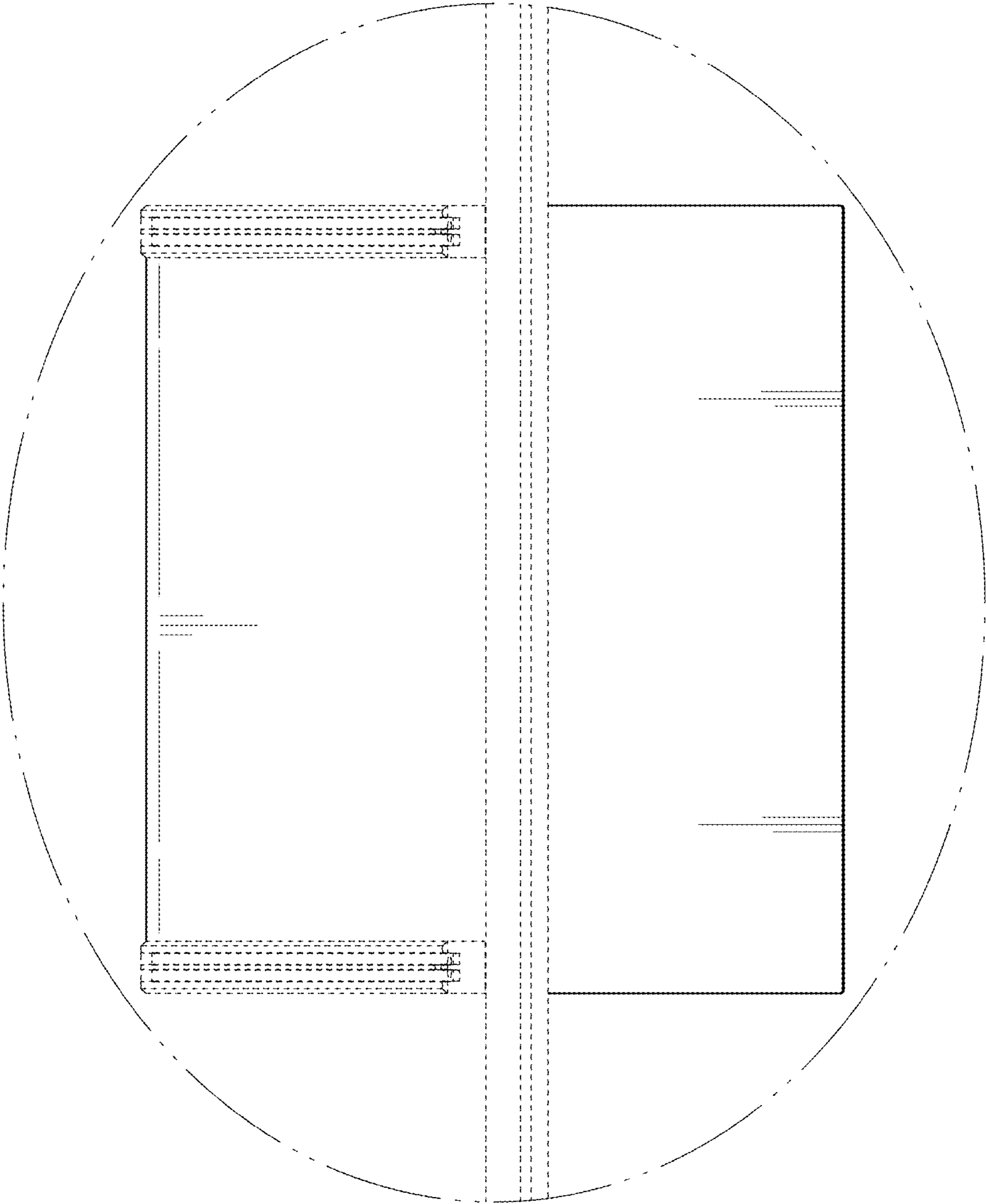




FIG. 15

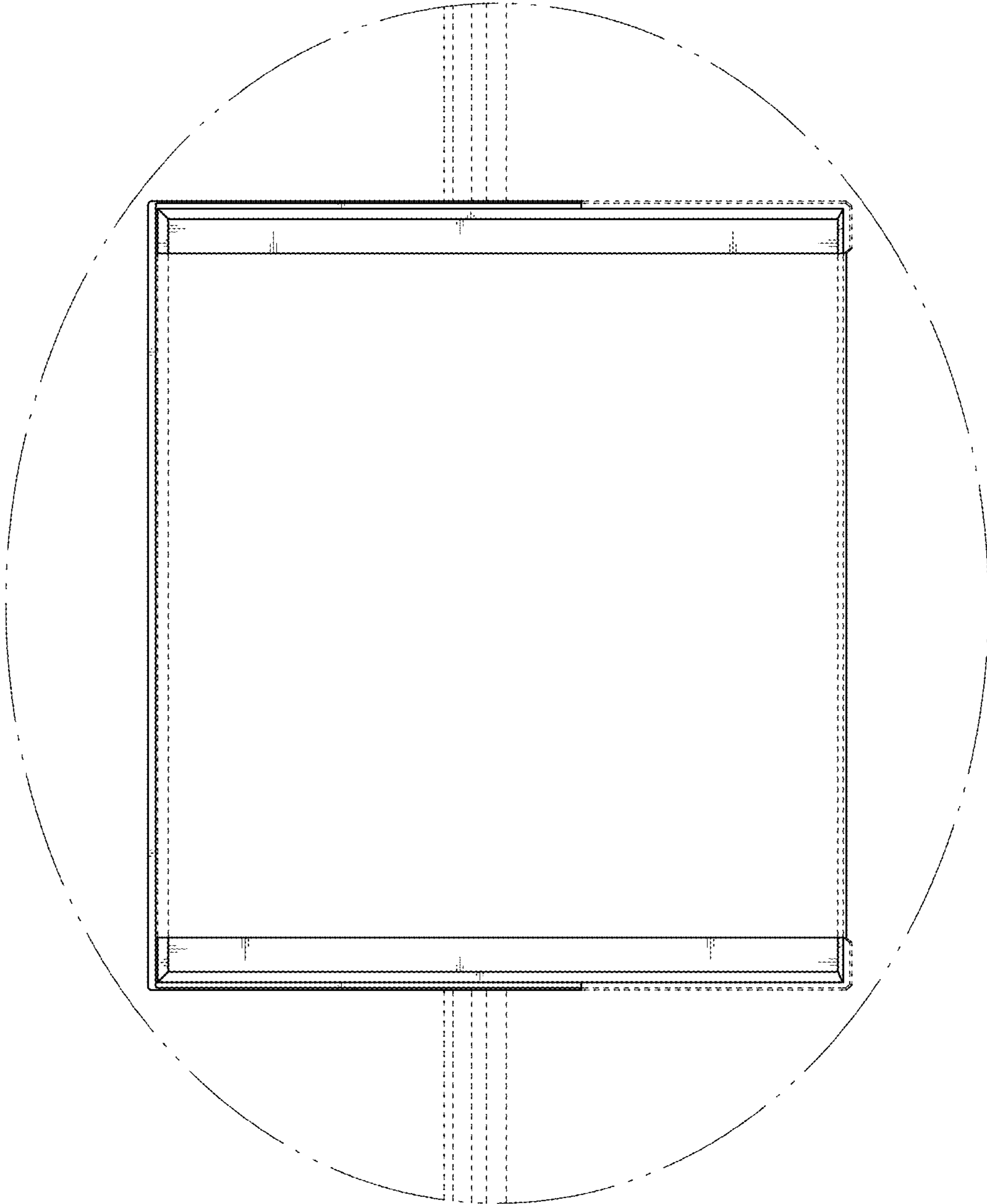


FIG. 16

