



US00D988273S

(12) **United States Design Patent** (10) **Patent No.:** **US D988,273 S**  
**Lee et al.** (45) **Date of Patent:** **\*\* Jun. 6, 2023**

(54) **AUTOMATIC TRANSFER SWITCH**  
(71) Applicant: **LG Electronics Inc.**, Seoul (KR)  
(72) Inventors: **Yoonkyeong Lee**, Seoul (KR); **Yongho Lee**, Seoul (KR); **Sechang Park**, Seoul (KR)  
(73) Assignee: **LG ELECTRONICS INC.**, Seoul (KR)

D581,880 S \* 12/2008 Neitzel ..... D13/162  
D633,438 S \* 3/2011 Sedberry ..... D13/110  
D702,198 S \* 4/2014 Gretz ..... D13/184  
D743,349 S \* 11/2015 Leeland ..... D10/50  
D767,514 S \* 9/2016 Summers ..... D13/184  
D835,764 S \* 12/2018 Farone ..... D23/364

(Continued)

(\*\*) Term: **15 Years**  
(21) Appl. No.: **35/512,516**  
(22) Filed: **Mar. 4, 2021**

(80) **Hague Agreement Data**  
Int. Filing Date: **Mar. 4, 2021**  
Int. Reg. No.: **DM/214430**  
Int. Reg. Date: **Mar. 4, 2021**  
Int. Reg. Pub. Date: **Sep. 10, 2021**

(30) **Foreign Application Priority Data**  
Sep. 10, 2020 (KR) ..... 30-2020-0043303  
(51) **LOC (14) Cl.** ..... **13-03**  
(52) **U.S. Cl.**  
USPC ..... **D13/158**  
(58) **Field of Classification Search**  
USPC ... D13/158, 159, 123, 160, 162, 162.1, 163,  
D13/165, 184, 199, 152, 124, 139.3, 110,  
D13/177, 107, 117, 139.6; D10/40, 46  
CPC ..... H01H 45/00; H01H 45/02; H01H 45/04;  
H01H 50/02; H01H 50/04; H01G 9/00  
See application file for complete search history.

(56) **References Cited**  
U.S. PATENT DOCUMENTS  
D406,566 S \* 3/1999 Roman ..... D13/168  
D466,486 S \* 12/2002 Gillingham ..... D13/184  
D478,577 S \* 8/2003 Koi ..... D14/240

**OTHER PUBLICATIONS**

Electrical enclosures. (Design—© Questel) orbit.com. [Online PDF compilation of references] 22 pgs. Print Dates Range Feb. 8, 2012-May 26, 2020 [Retrieved Jul. 25, 2022] <https://www.orbit.com/export/UCZAH96B/pdf4/c9624d46-276c-4d11-9160-6c6a757561ca-173046.pdf> (Year: 2022).\*

*Primary Examiner* — Eliza Z Harvey  
*Assistant Examiner* — Landon Thomas Cassell  
(74) *Attorney, Agent, or Firm* — Birch, Stewart, Kolasch & Birch, LLP

(57) **CLAIM**

The ornamental design for an automatic transfer switch, as shown and described.

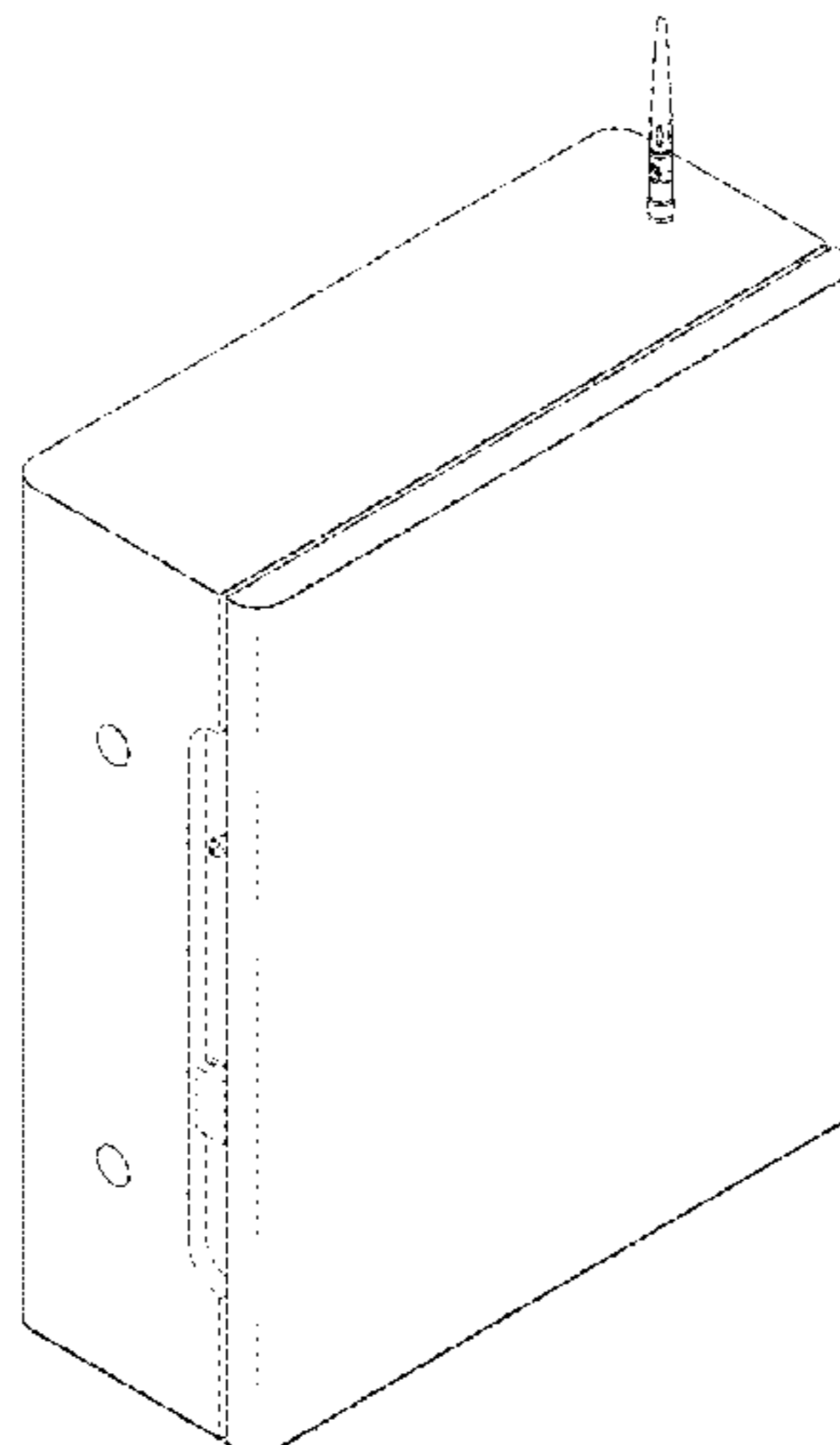
**DESCRIPTION**

- 1. Automatic transfer switch
- 1.1 : Front perspective view
- 1.2 : Front
- 1.3 : Back
- 1.4 : Left
- 1.5 : Right
- 1.6 : Top
- 1.7 : Bottom

Reproduction 1.1 is a front perspective view of the automatic transfer switch; reproduction 1.2 is a front view thereof; reproduction 1.3 is a back view thereof; reproduction 1.4 is a left view thereof; reproduction 1.5 is a right view thereof; reproduction 1.6 is a top view thereof; and reproduction 1.7 is a bottom view thereof.

The broken lines depict portions of the automatic transfer switch that form no part of the claimed design.

**1 Claim, 7 Drawing Sheets**



(56)

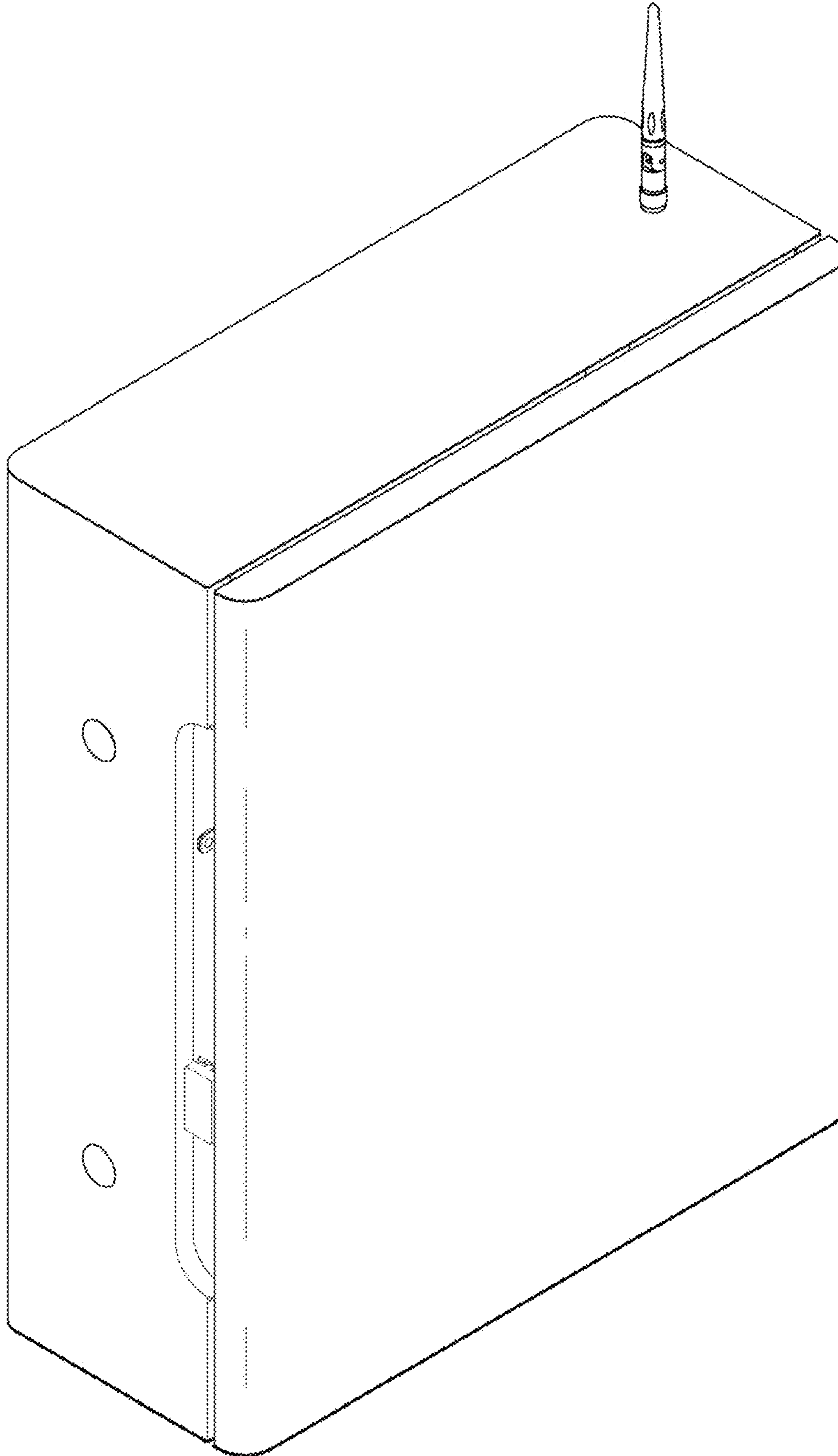
**References Cited**

U.S. PATENT DOCUMENTS

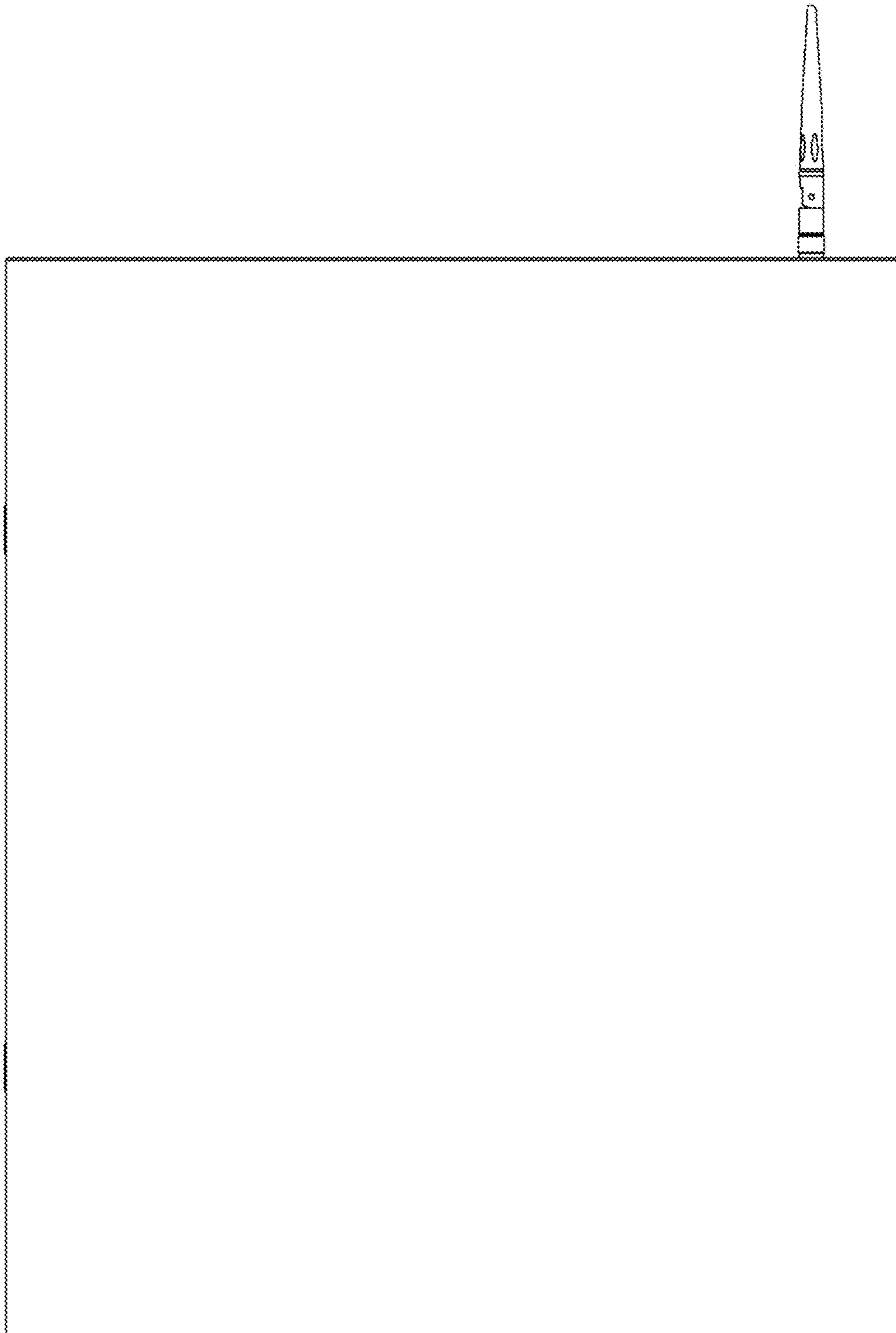
D894,833 S *	9/2020	Yamazawa .....	D13/110
D898,690 S *	10/2020	Lan .....	D14/137
D913,923 S *	3/2021	You .....	D13/110
D923,568 S *	6/2021	Lee .....	D13/110

\* cited by examiner

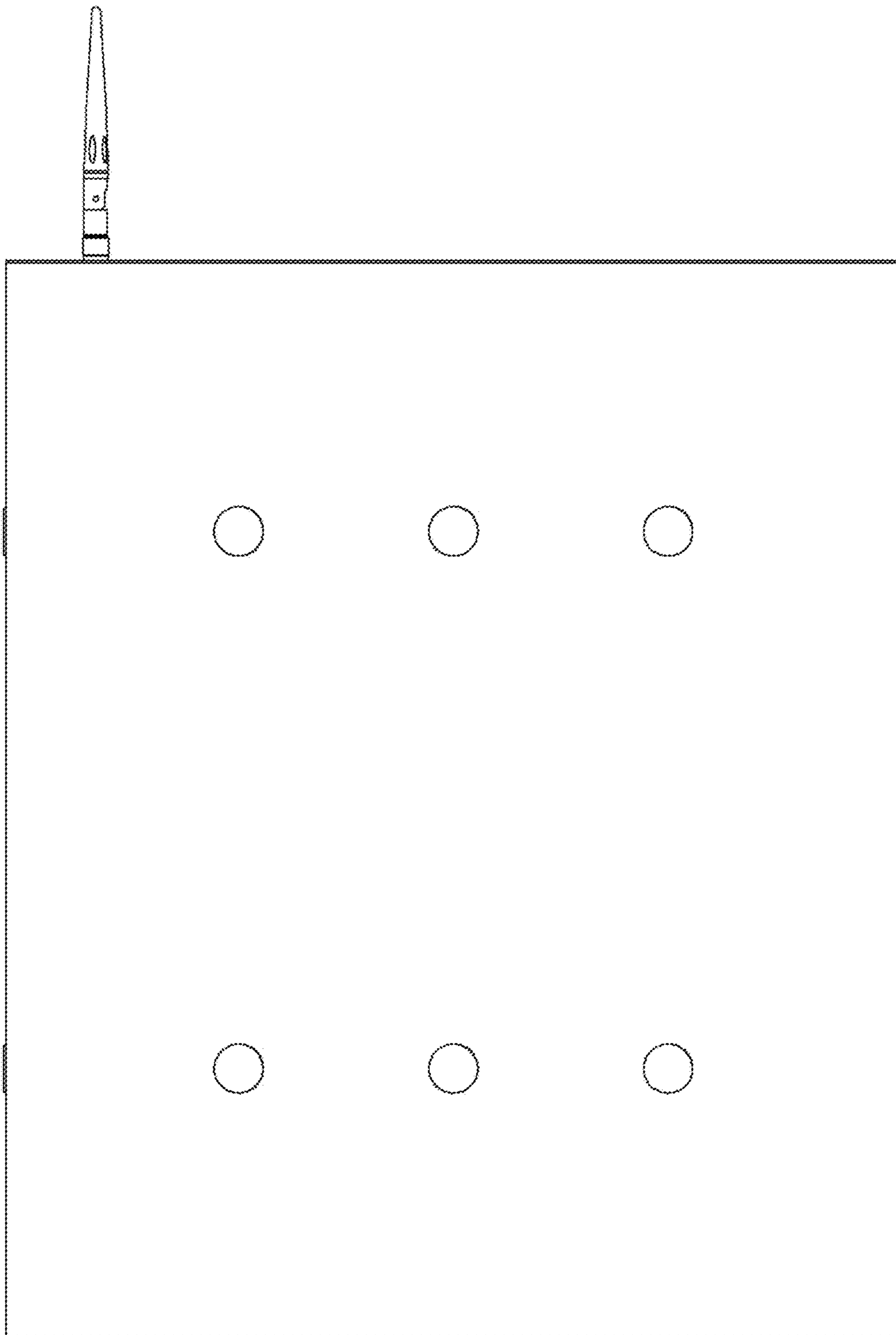
1.1



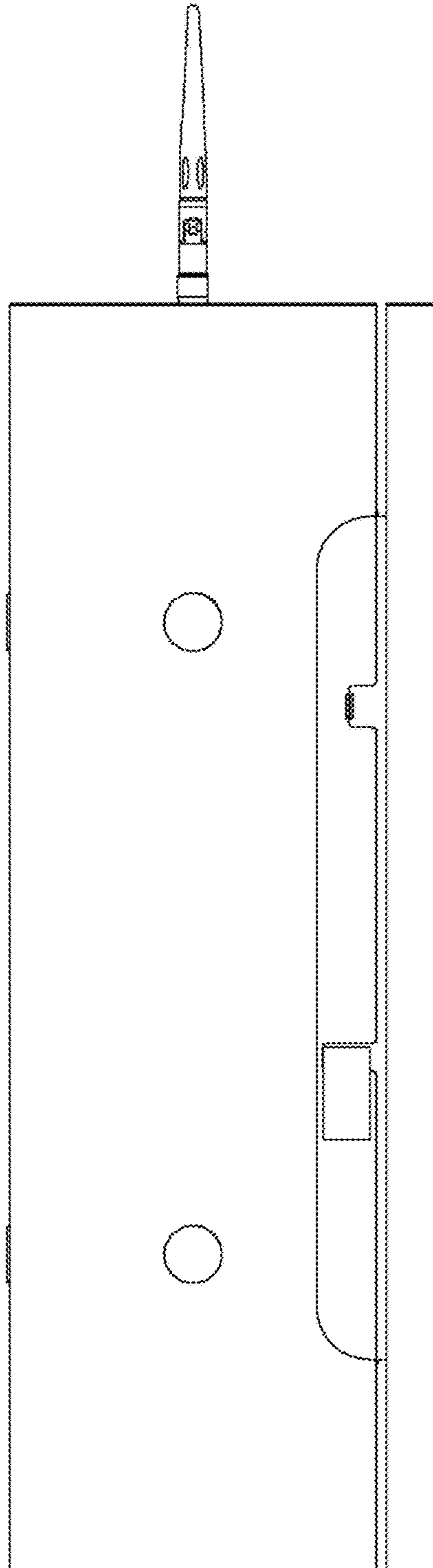
1.2



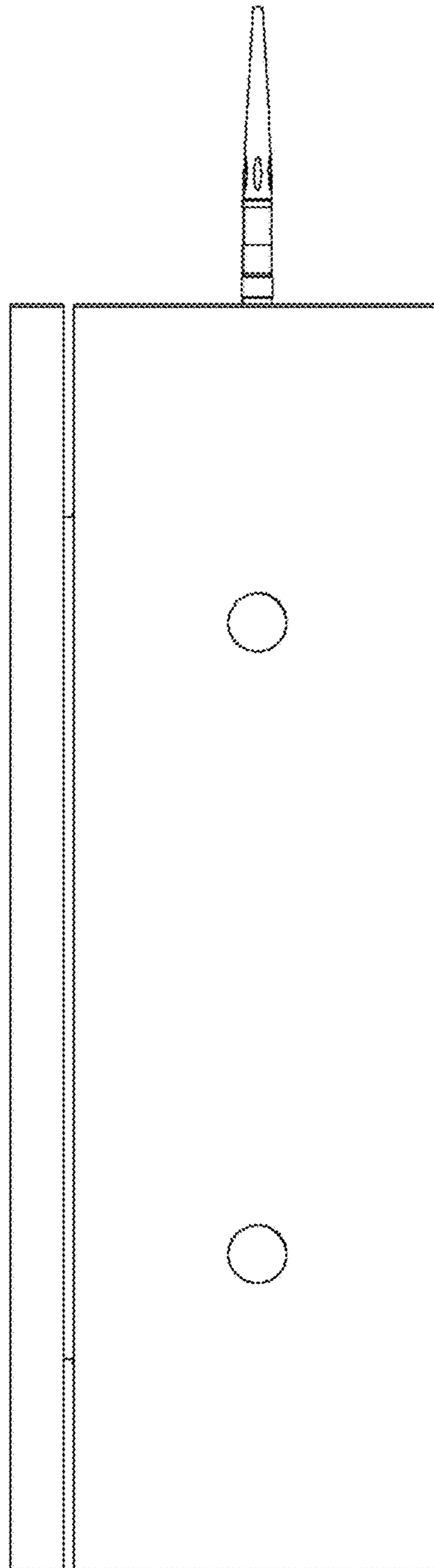
1.3



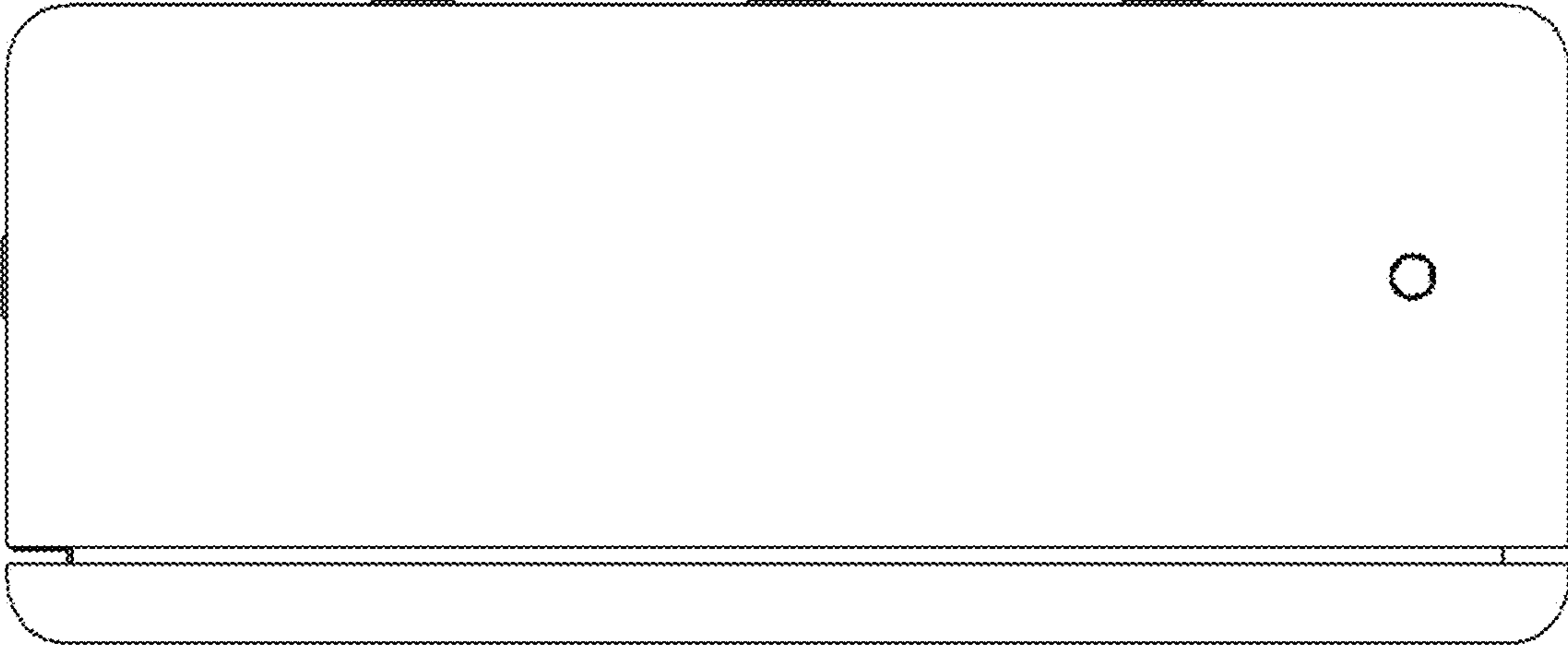
1.4



1.5



1.6





**1.7**

