



US00D988272S

(12) **United States Design Patent** (10) **Patent No.:** **US D988,272 S**
Yu (45) **Date of Patent:** **** Jun. 6, 2023**

(54) **PLUG COVER**

(71) Applicant: **Xunzheng Yu**, Taizhou (CN)

(72) Inventor: **Xunzheng Yu**, Taizhou (CN)

(**) Term: **15 Years**

(21) Appl. No.: **29/800,595**

(22) Filed: **Jul. 22, 2021**

(51) **LOC (14) Cl.** **13-03**

(52) **U.S. Cl.**
USPC **D13/156**

(58) **Field of Classification Search**
USPC D12/114, 122, 123, 126, 127, 160, 180
CPC H02G 3/14081; H01R 13/6395; H01R
13/447; H01R 25/006
See application file for complete search history.

(56) **References Cited**

U.S. PATENT DOCUMENTS

| | | | | |
|-------------------|---------|------------|-------|------------------------|
| D359,270 S * | 6/1995 | Connelly | | D13/154 |
| 8,093,497 B2 * | 1/2012 | White | | H01R 13/447 33/528 |
| D765,605 S * | 9/2016 | Leal | | D13/156 |
| D765,606 S * | 9/2016 | Hack | | D13/156 |
| D766,838 S * | 9/2016 | Leal | | D13/156 |
| D849,692 S * | 5/2019 | Marsden | | D13/156 |
| 10,881,013 B1 * | 12/2020 | Marker | | H05K 5/03 |
| D913,973 S * | 3/2021 | Georgiades | | D13/156 |
| D913,974 S * | 3/2021 | Georgiades | | D13/156 |
| D929,347 S * | 8/2021 | Bradford | | D13/156 |
| D941,253 S * | 1/2022 | Wirth | | B60D 1/60 D13/156 |
| D947,128 S * | 3/2022 | Hang | | D13/133 |
| D973,464 S * | 12/2022 | Lee | | D8/353 |
| 2011/0300729 A1 * | 12/2011 | Belyea | | H01R 13/443 439/148 |

OTHER PUBLICATIONS

“Outlet Covers Baby Proofing Socket Protectors” Lohodo., posted date May 23, 2020 [online], [retrieved on Mar. 29, 2023]. Retrieved from the Internet <URL:https://www.amazon.com/Protector-Difficult-Children-Accidental-Prevention/dp/B07VMLNPQ4> (Year: 2020).*
“Outlet Covers Baby Proofing White” PRObebi., posted date Mar. 16, 2023 [online], [retrieved on Mar. 29, 2023]. Retrieved from the Internet <URL:https://www.amazon.com/Outlet-Covers-Baby-Proofing-White/dp/B07KNZVZDV> (Year: 2023).*
“Outlet Covers with Hidden Pull Handle Baby Proofing Plug Covers” Heelalbaby., posted date Jun. 8, 2020 [online], [retrieved on Mar. 29, 2023]. Retrieved from the Internet <URL:https://www.amazon.co.uk/Outlet-Proofing-3-Prong-Electrical-Protectors/dp/B084S8TZBZ> (Year: 2020).*

* cited by examiner

Primary Examiner — Darlington Ly
Assistant Examiner — Nasim Abdulaziz Ali

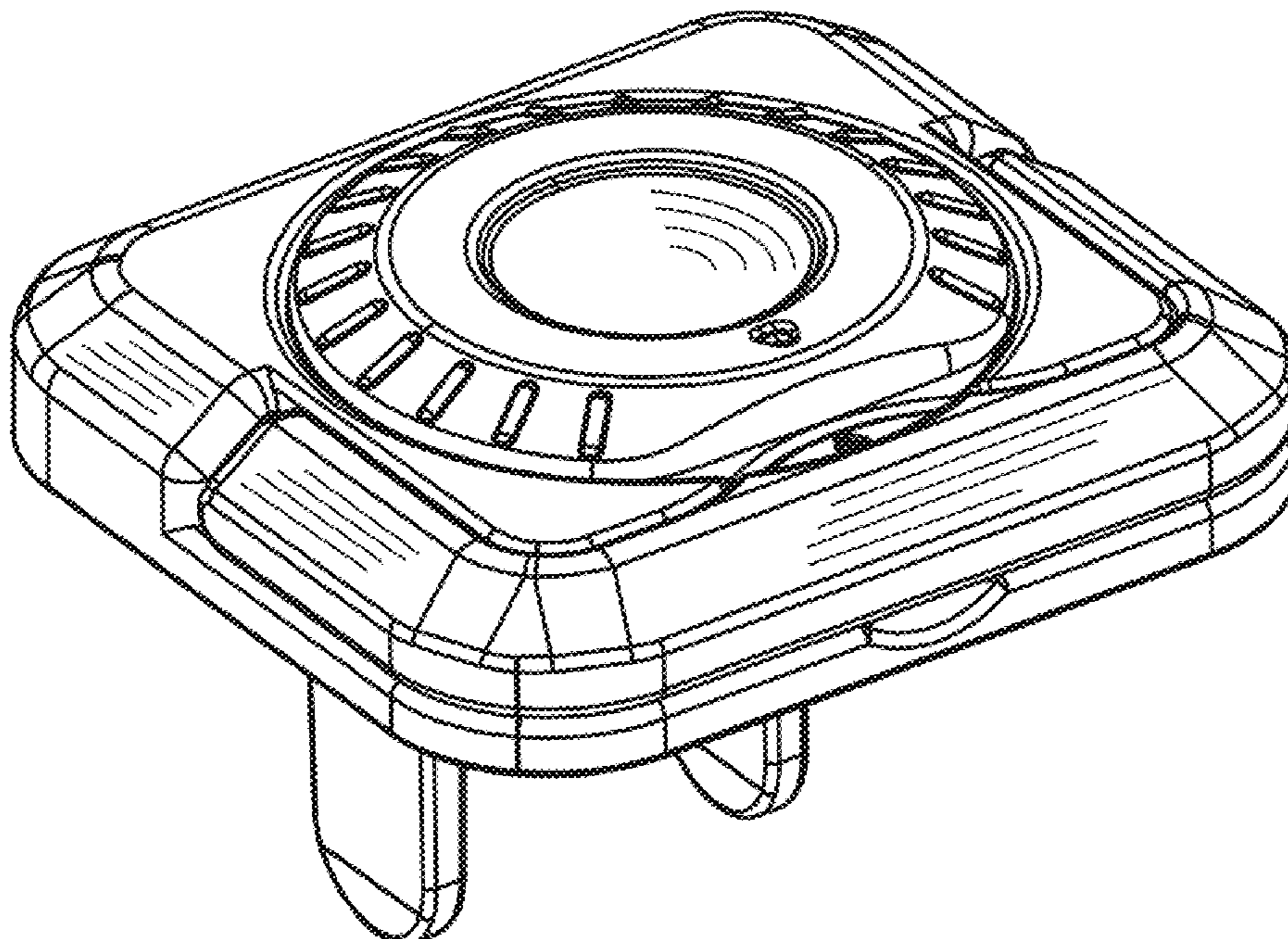
(57) **CLAIM**

The ornamental design for a plug cover, as shown and described.

DESCRIPTION

FIG. 1 is a perspective view of a plug cover showing my new design;
FIG. 2 is another perspective view thereof;
FIG. 3 is a left side elevational view thereof;
FIG. 4 is a right side elevational view thereof;
FIG. 5 is a bottom plan view thereof;
FIG. 6 is a top plan view thereof; and,
FIG. 7 is a front elevational view thereof.

1 Claim, 7 Drawing Sheets



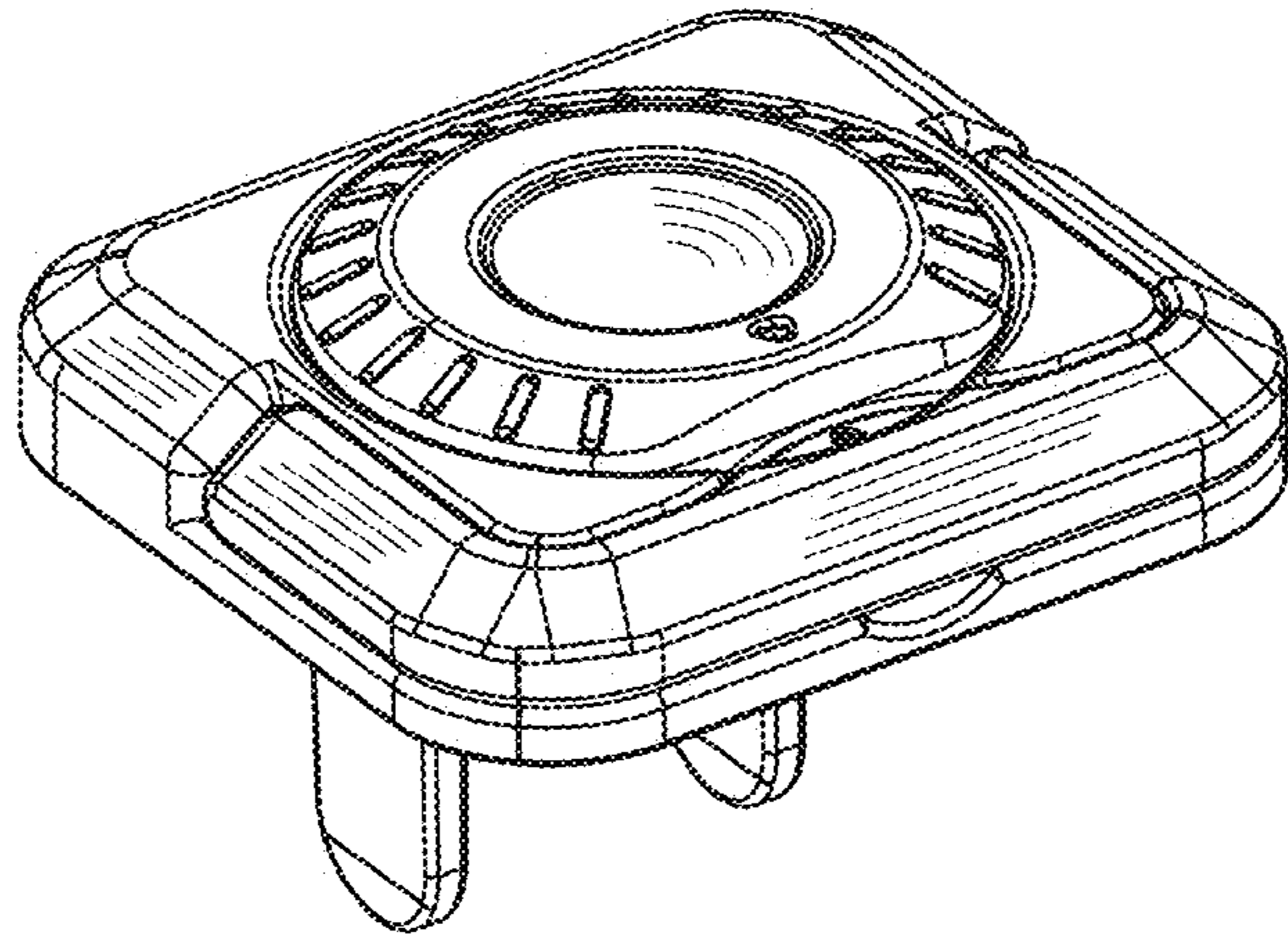


FIG. 1

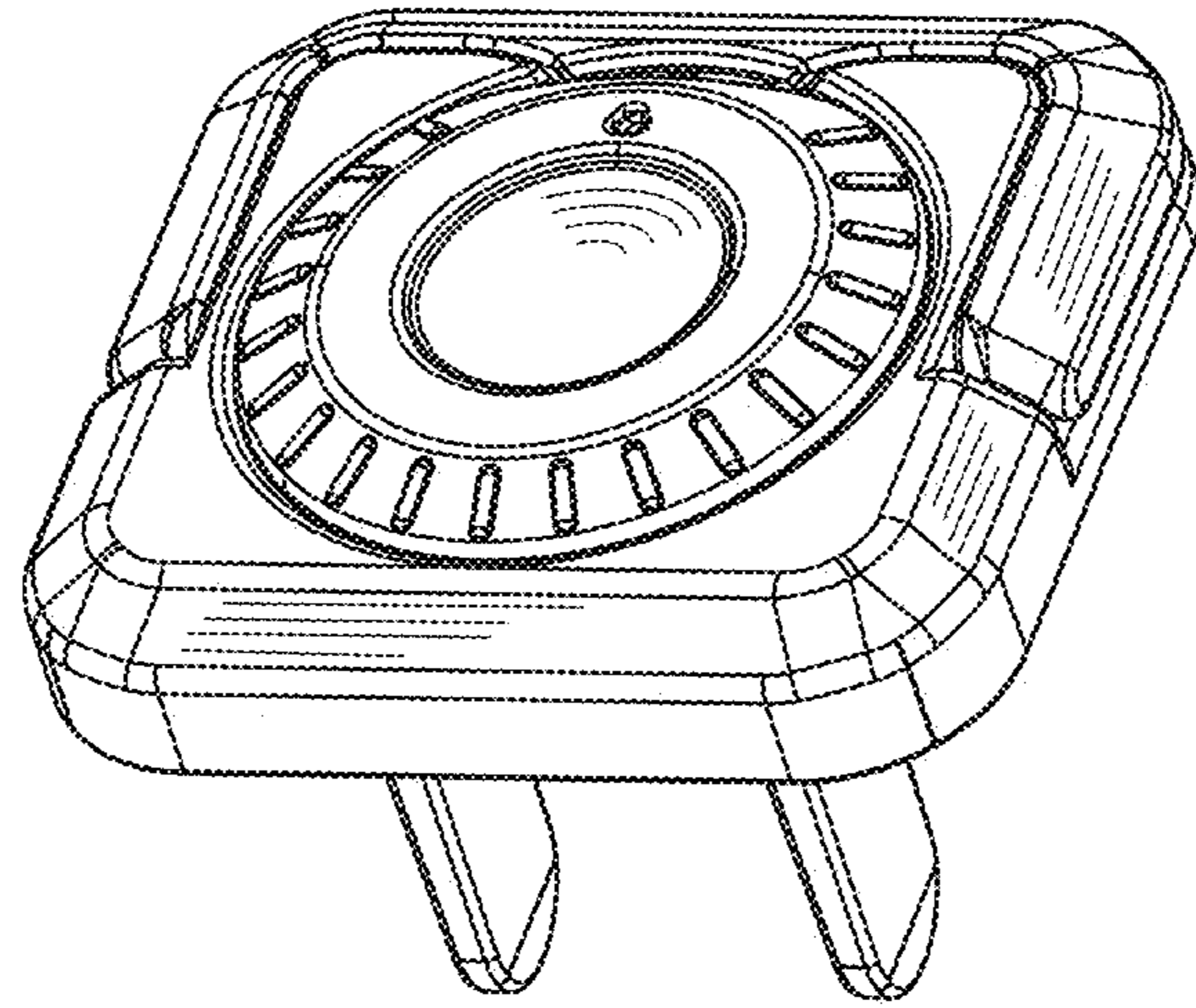


FIG. 2

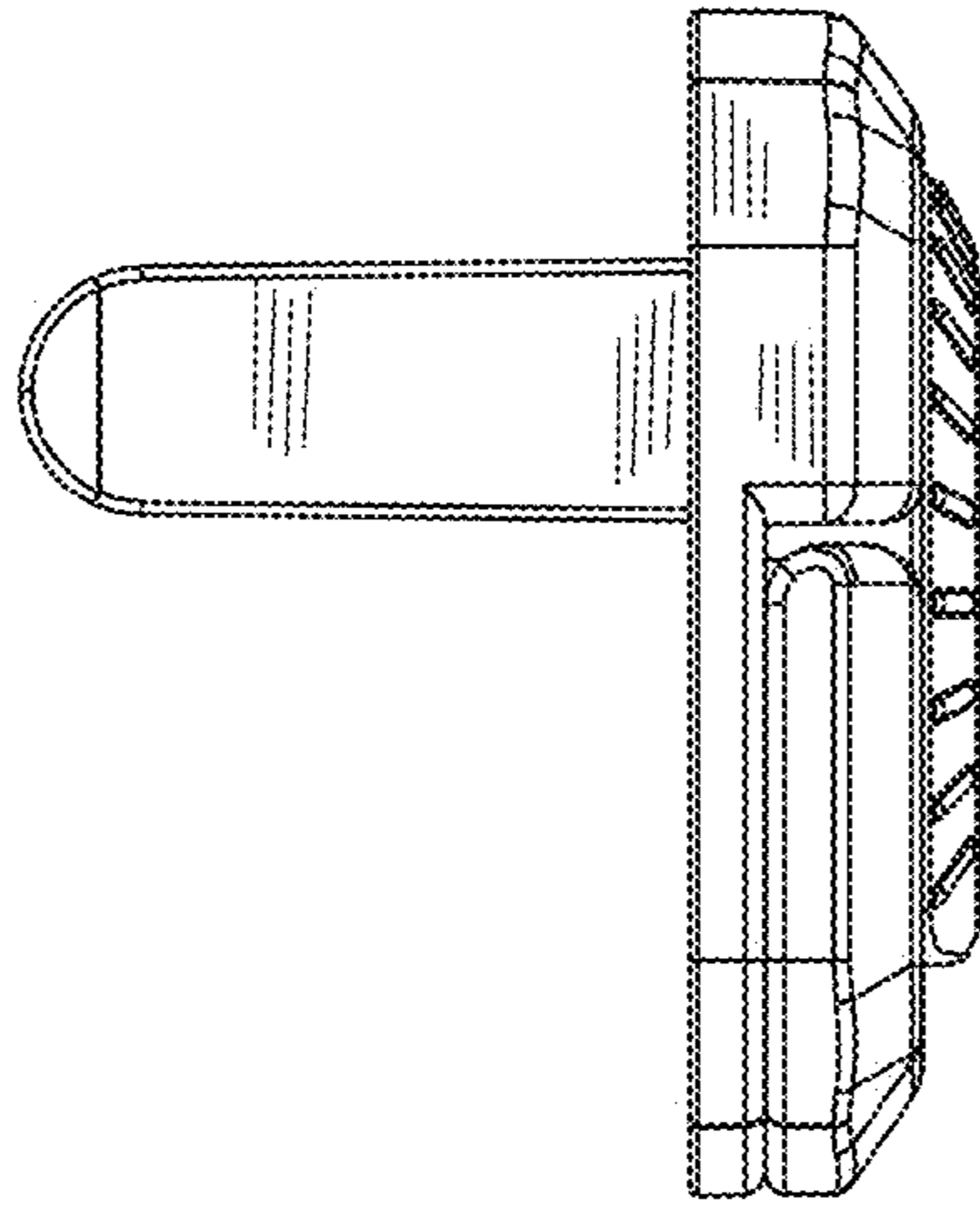


FIG. 3

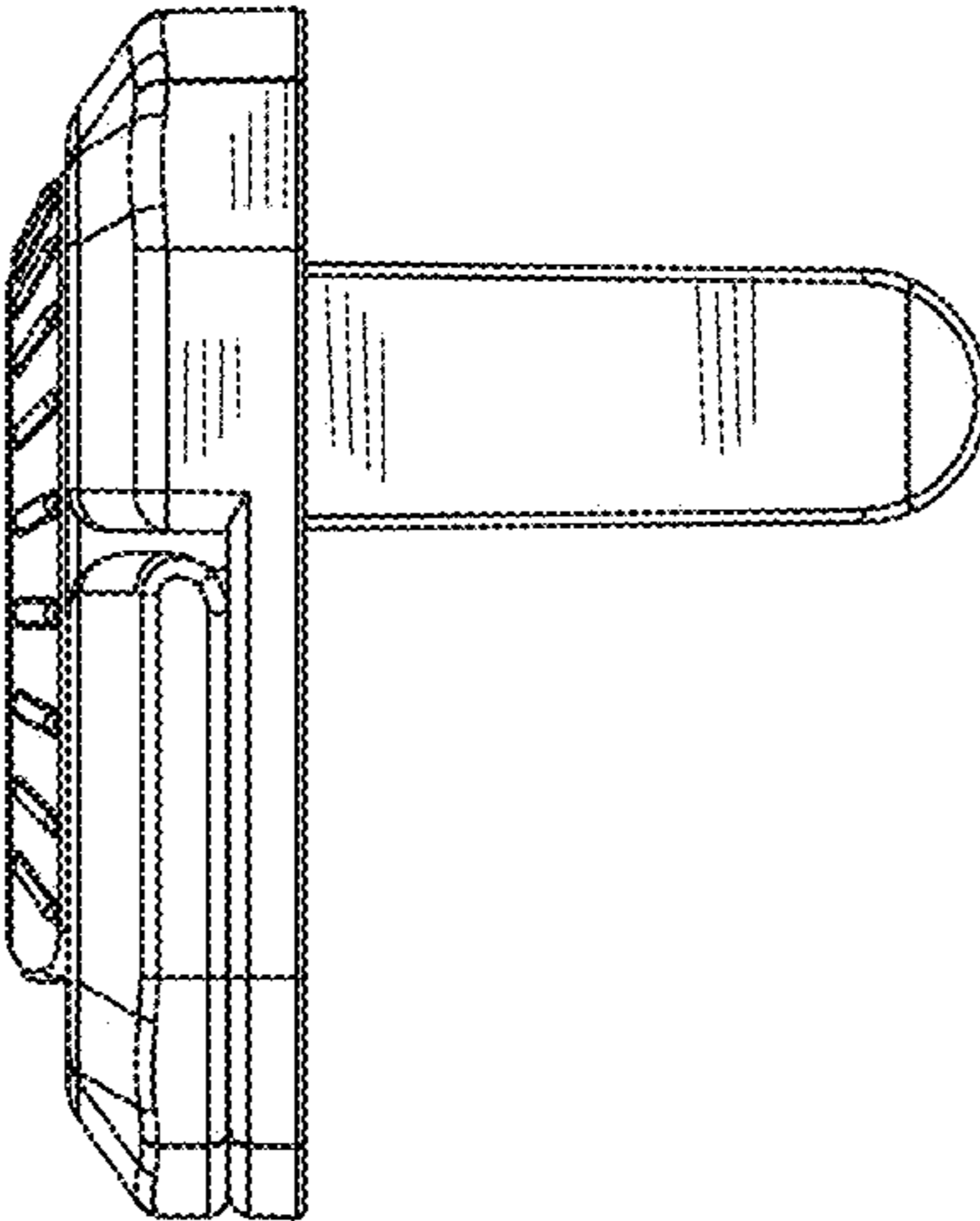


FIG. 4

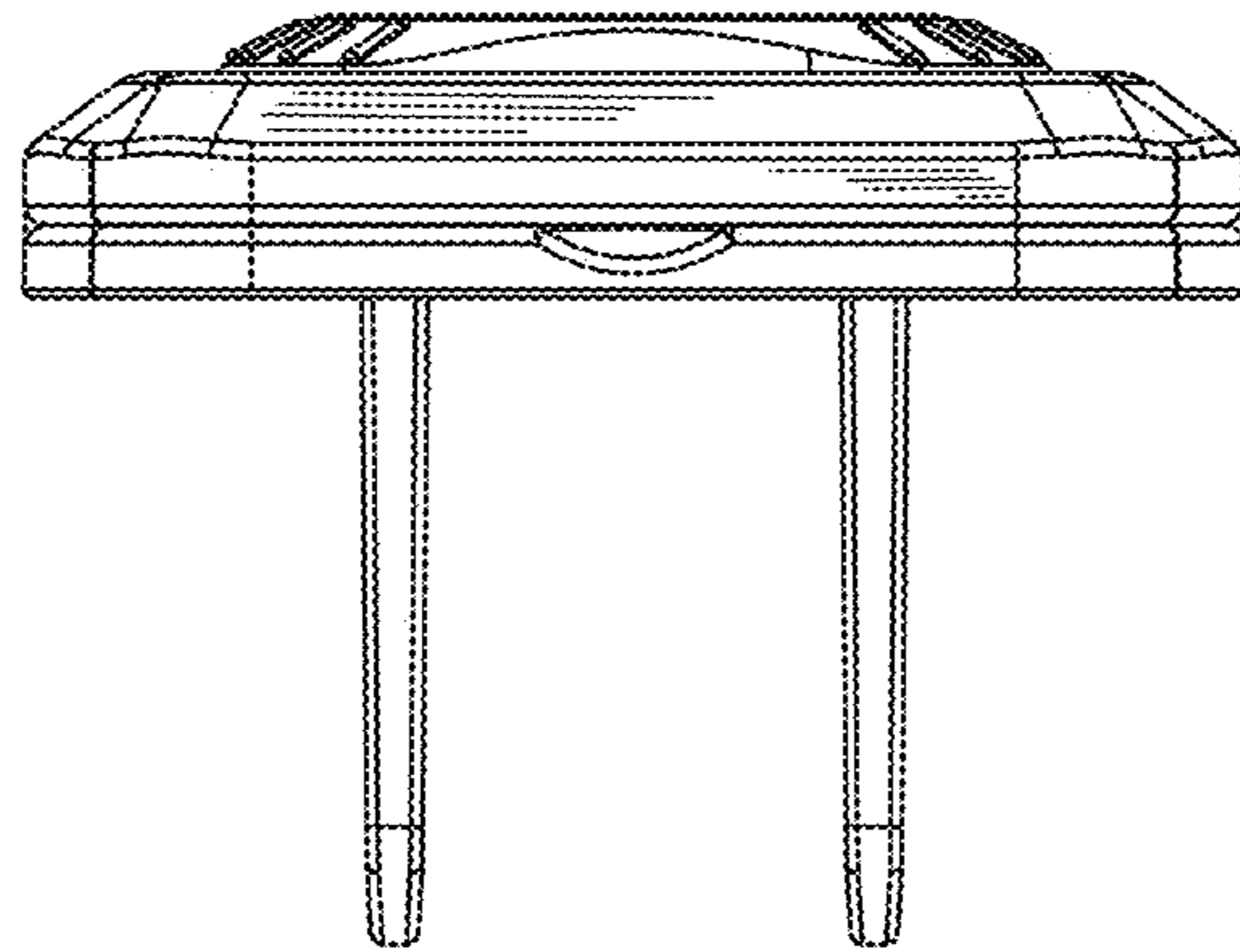


FIG. 5

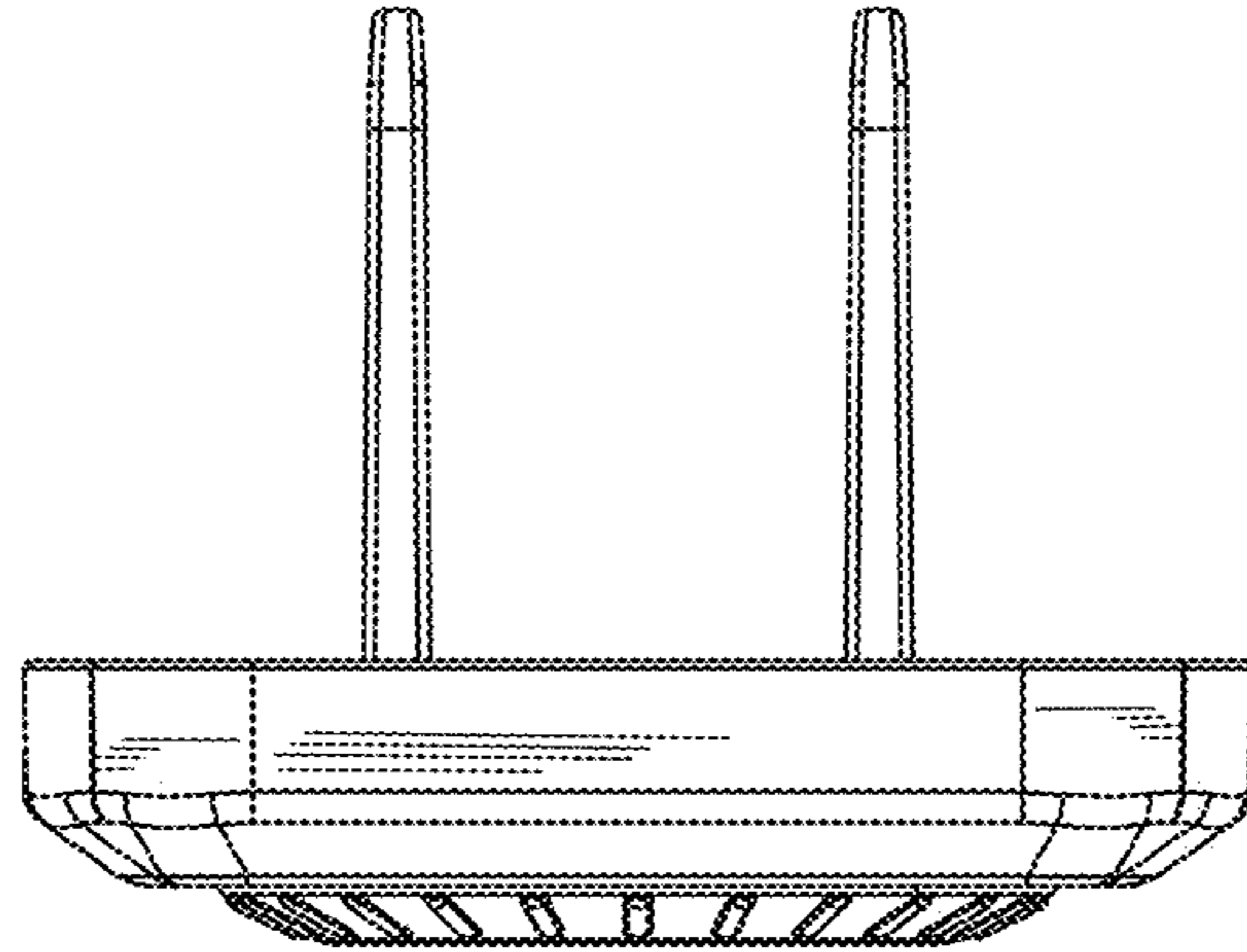


FIG. 6

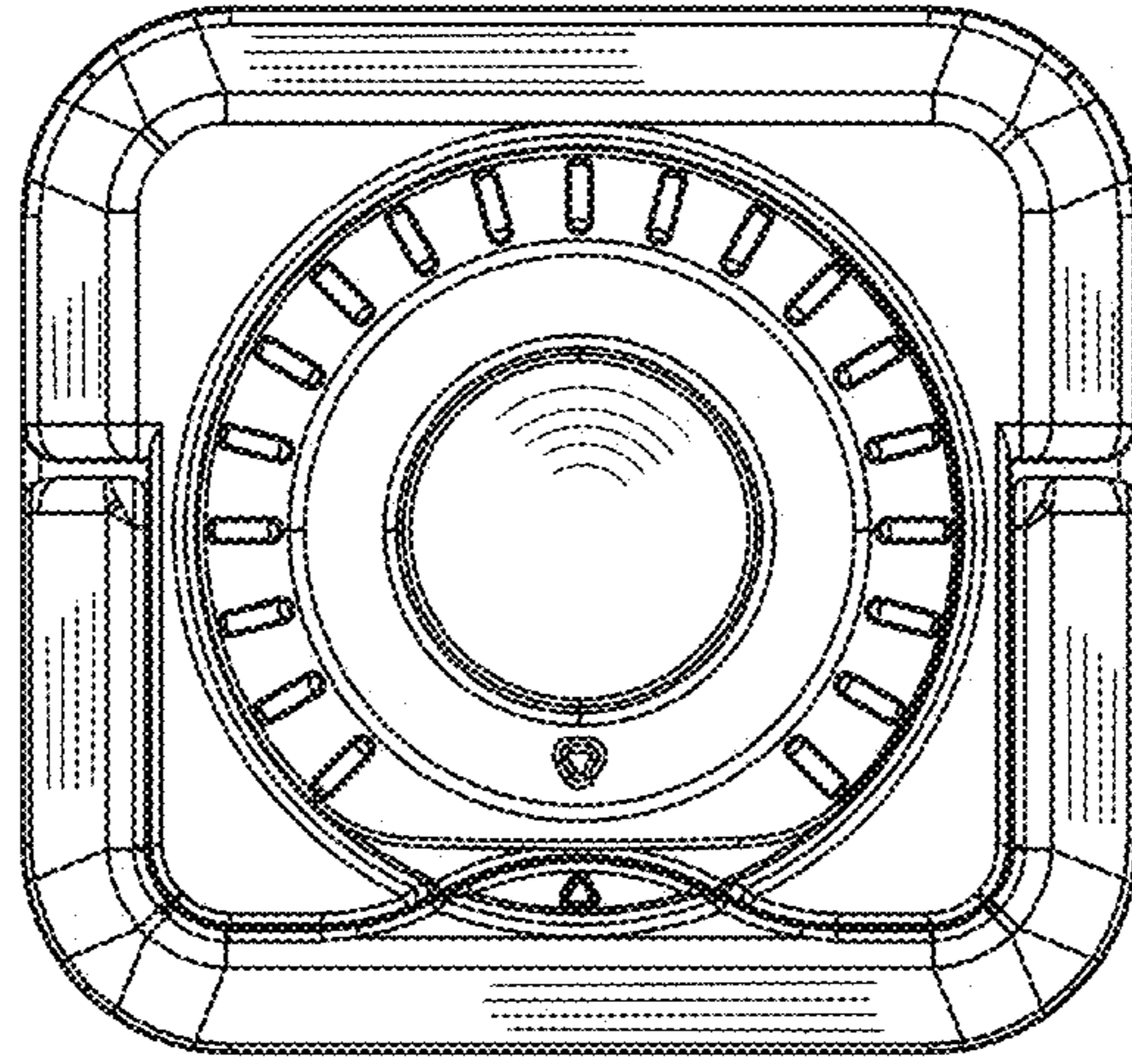


FIG. 7