



US00D988271S

(12) **United States Design Patent**  
**Liu**

(10) **Patent No.:** **US D988,271 S**  
(45) **Date of Patent:** **\*\* Jun. 6, 2023**

- (54) **ELECTRICAL CASE**
- (71) Applicant: **Ting Liu**, Guangdong (CN)
- (72) Inventor: **Ting Liu**, Guangdong (CN)
- (73) Assignee: **Shenzhen Lithtech Energy Co., Ltd.**,  
Guangdong (CN)
- (\*\*) Term: **15 Years**
- (21) Appl. No.: **29/799,926**
- (22) Filed: **Jul. 17, 2021**
- (51) **LOC (14) Cl.** ..... **13-03**
- (52) **U.S. Cl.**  
USPC ..... **D13/152**
- (58) **Field of Classification Search**  
USPC ..... D13/152, 103, 184, 110, 137.2; D3/273;  
D14/240, 140.2, 444  
CPC ..... B65D 43/0212; H05K 5/0013  
See application file for complete search history.

D865,694 S *	11/2019	Xiang	.....	D13/184
D865,695 S *	11/2019	Xiang	.....	D13/184
D903,318 S *	12/2020	Schroder	.....	D3/273
D941,825 S *	1/2022	Caggiani	.....	D14/444
D952,551 S *	5/2022	Chen	.....	D13/103
D957,334 S *	7/2022	Ling	.....	D13/110
D966,201 S *	10/2022	Dent	.....	D13/152
D969,746 S *	11/2022	Bowers	.....	D13/137.2
2010/0054686 A1 *	3/2010	Cooke	.....	G02B 6/4471 385/135
2010/0220968 A1 *	9/2010	Dagley	.....	G02B 6/4452 385/134
2018/0129008 A1 *	5/2018	Gonzalez Covarrubias	.....	G02B 6/4453

\* cited by examiner

*Primary Examiner* — Rhea Shields

(57) **CLAIM**

The ornamental design for an electrical case, as shown and described.

**DESCRIPTION**

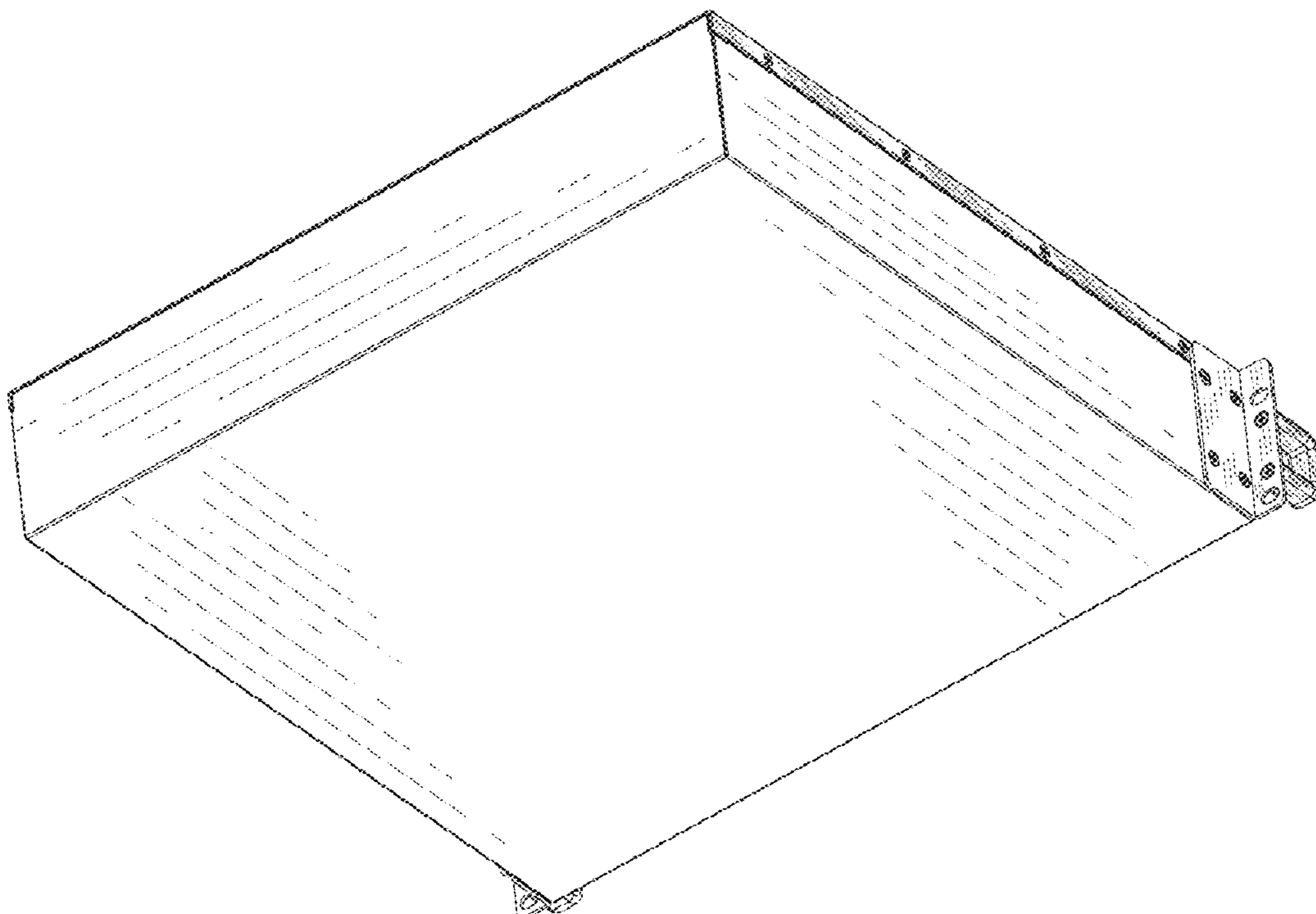
FIG. 1 is a perspective view of an electrical case showing my new design;  
 FIG. 2 is a front elevation view thereof;  
 FIG. 3 is a rear elevation view thereof;  
 FIG. 4 is a left side elevation view thereof;  
 FIG. 5 is a right side elevation view thereof;  
 FIG. 6 is a top plan view thereof;  
 FIG. 7 is a bottom plan view thereof;  
 FIG. 8 is a rear side perspective view thereof;  
 FIG. 9 is an enlarged partial view of FIG. 8; and,  
 FIG. 10 is an enlarged partial view of FIG. 8.

**1 Claim, 10 Drawing Sheets**

(56) **References Cited**

U.S. PATENT DOCUMENTS

D375,082 S *	10/1996	Messelhi	.....	D13/152
5,946,440 A *	8/1999	Puetz	.....	G02B 6/4455 385/53
D419,533 S *	1/2000	Smith	.....	D13/184
D531,129 S *	10/2006	Muto	.....	D13/152
D651,200 S *	12/2011	Sugime	.....	D14/240
D702,198 S *	4/2014	Gretz	.....	D13/184
D722,975 S *	2/2015	Debone	.....	D13/152
D817,913 S *	5/2018	Martinez Sanchez	....	D14/140.2
D865,693 S *	11/2019	Xiang	.....	D13/184



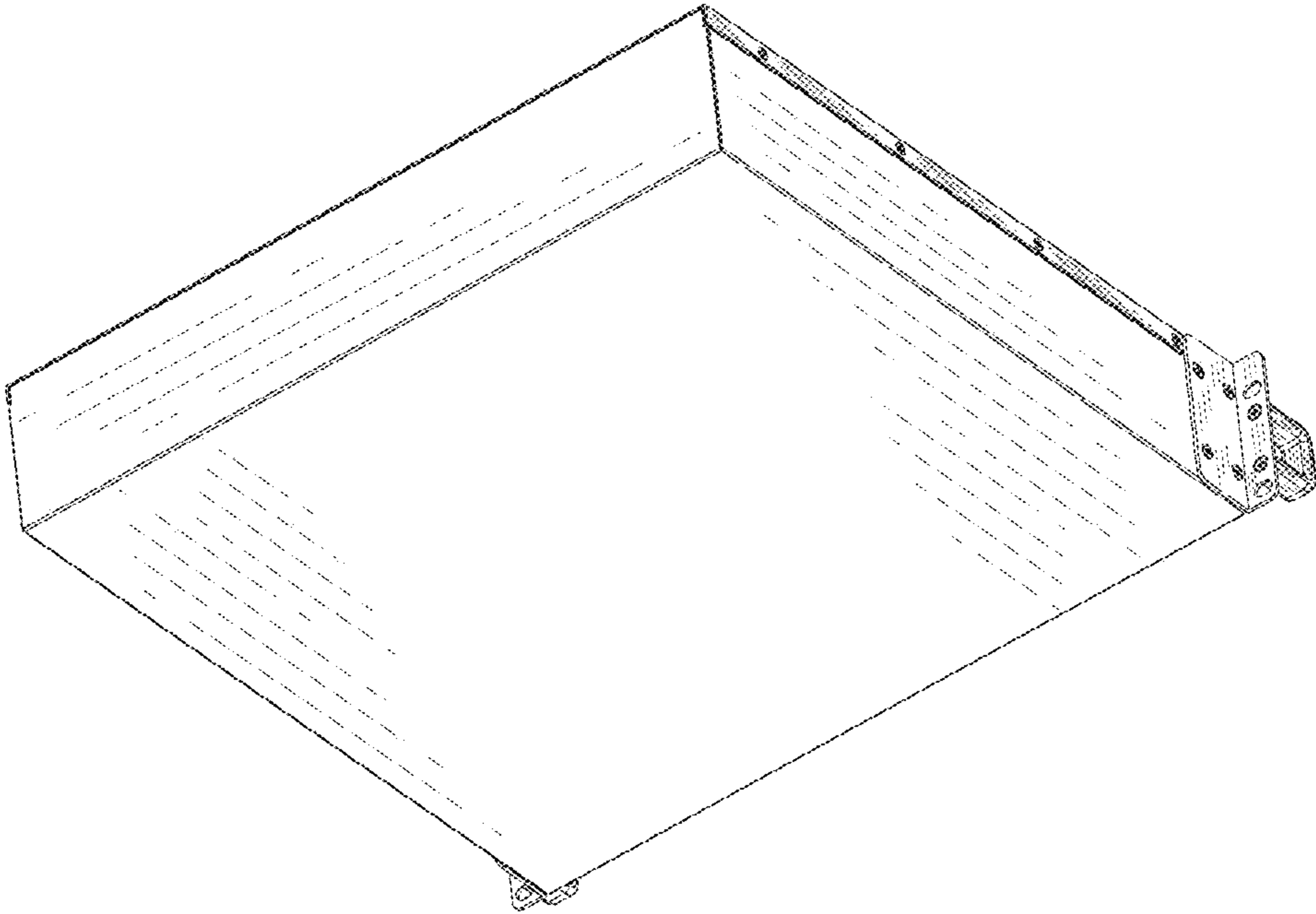


FIG. 1

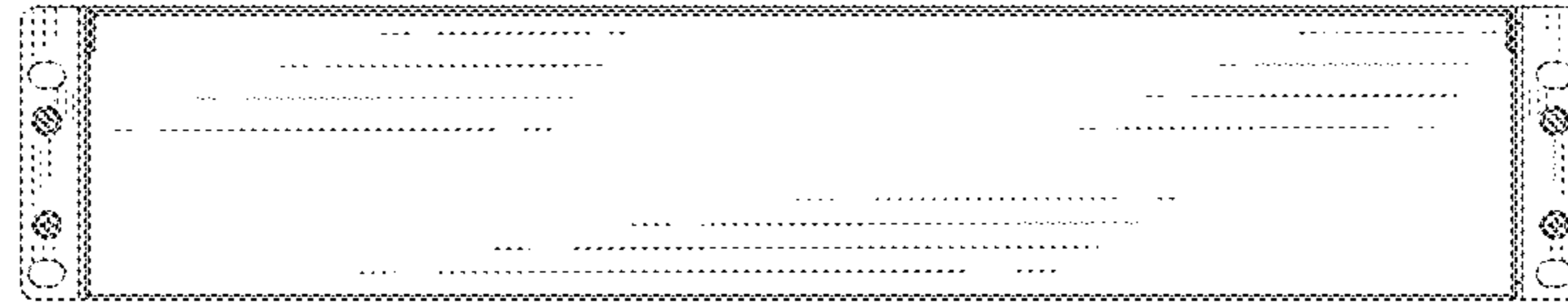


FIG. 2

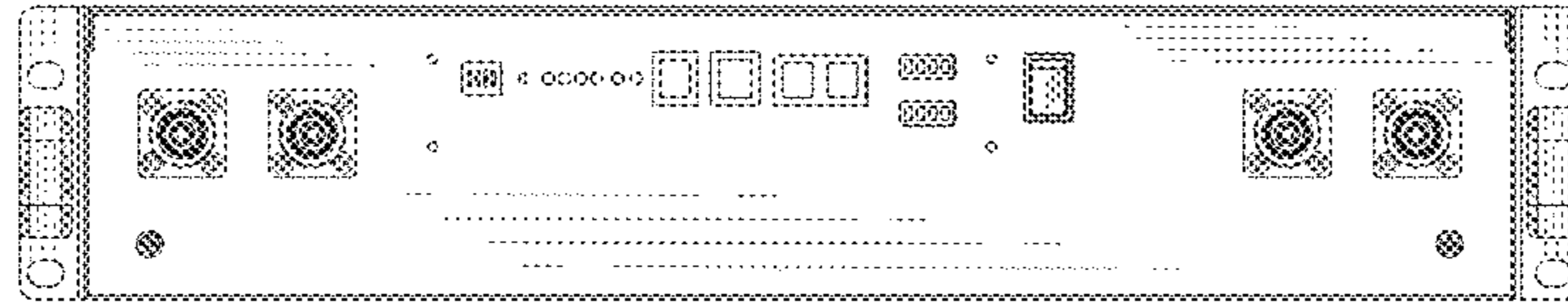


FIG. 3

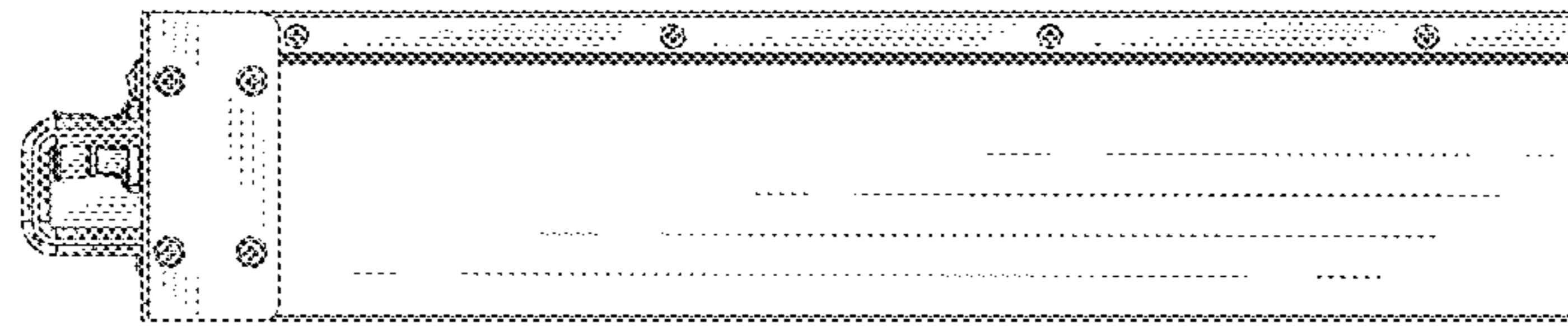


FIG. 4

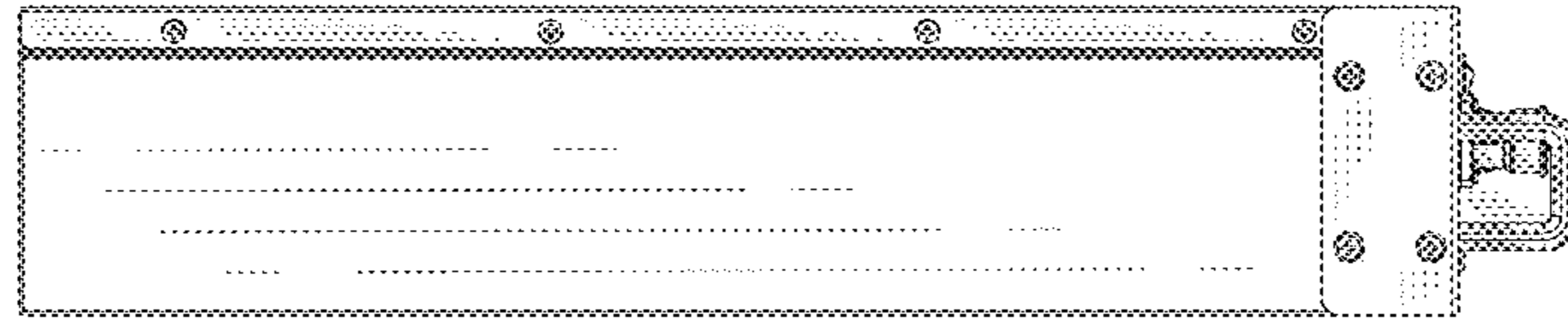


FIG. 5

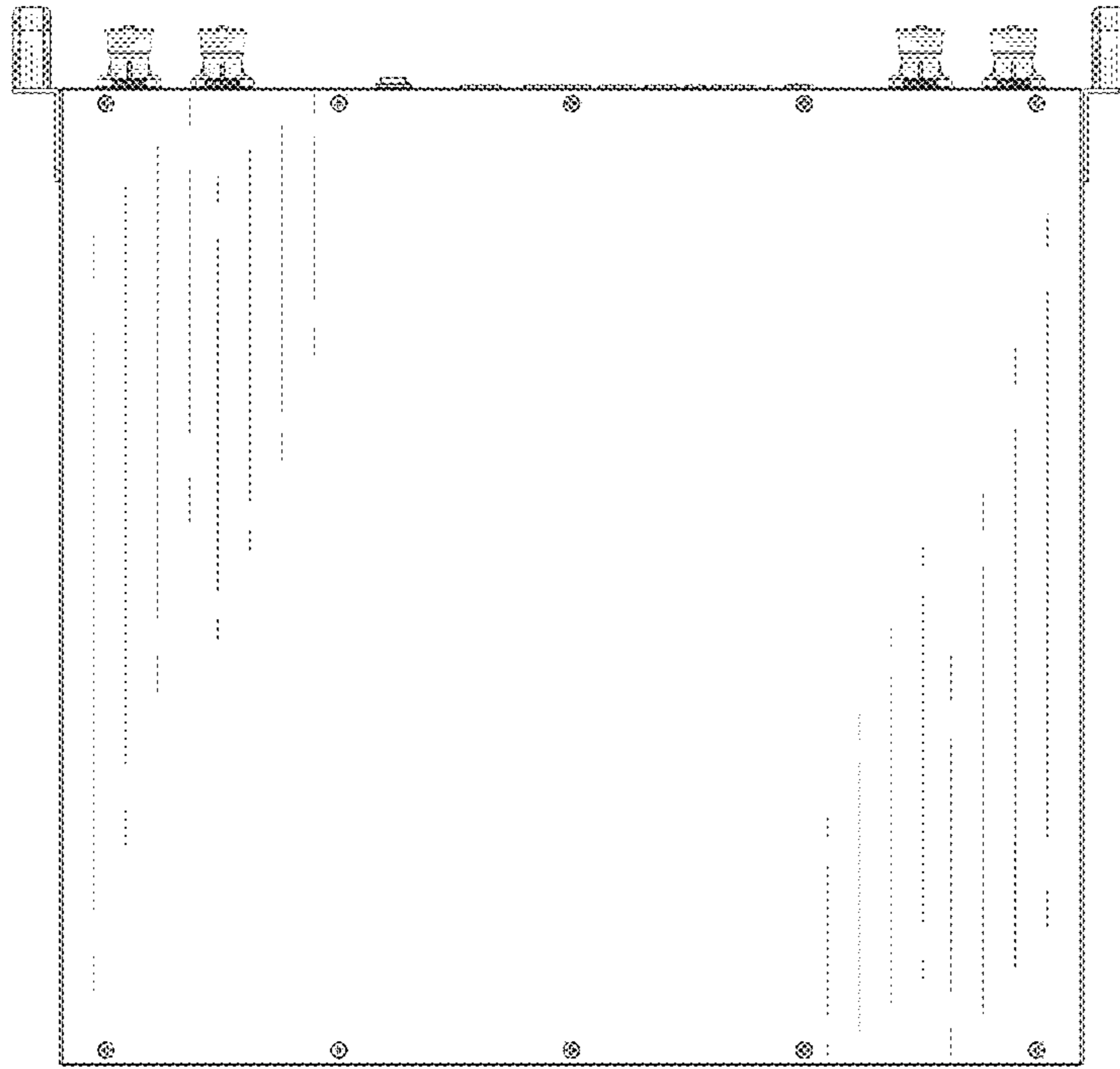


FIG. 6

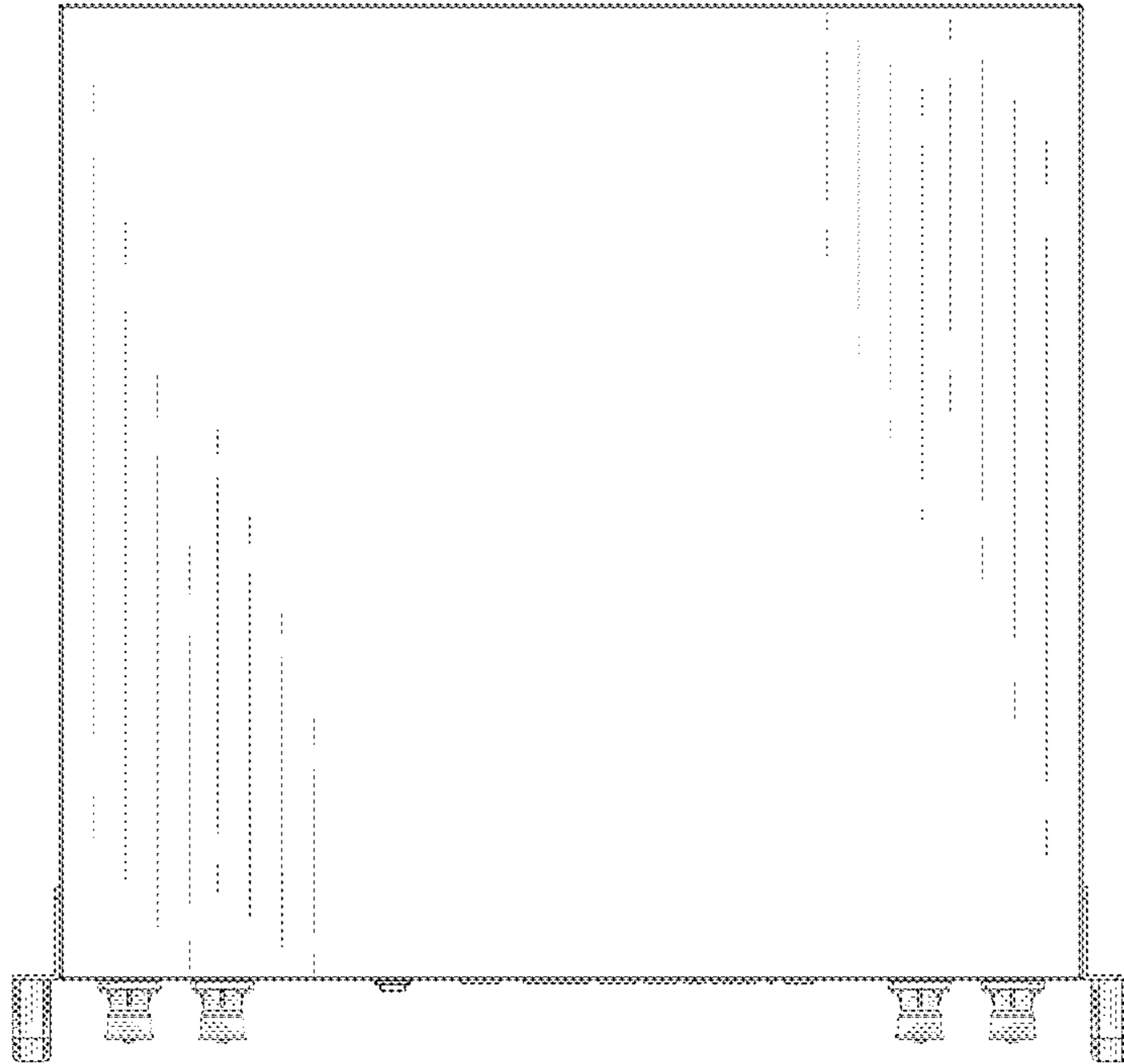


FIG. 7



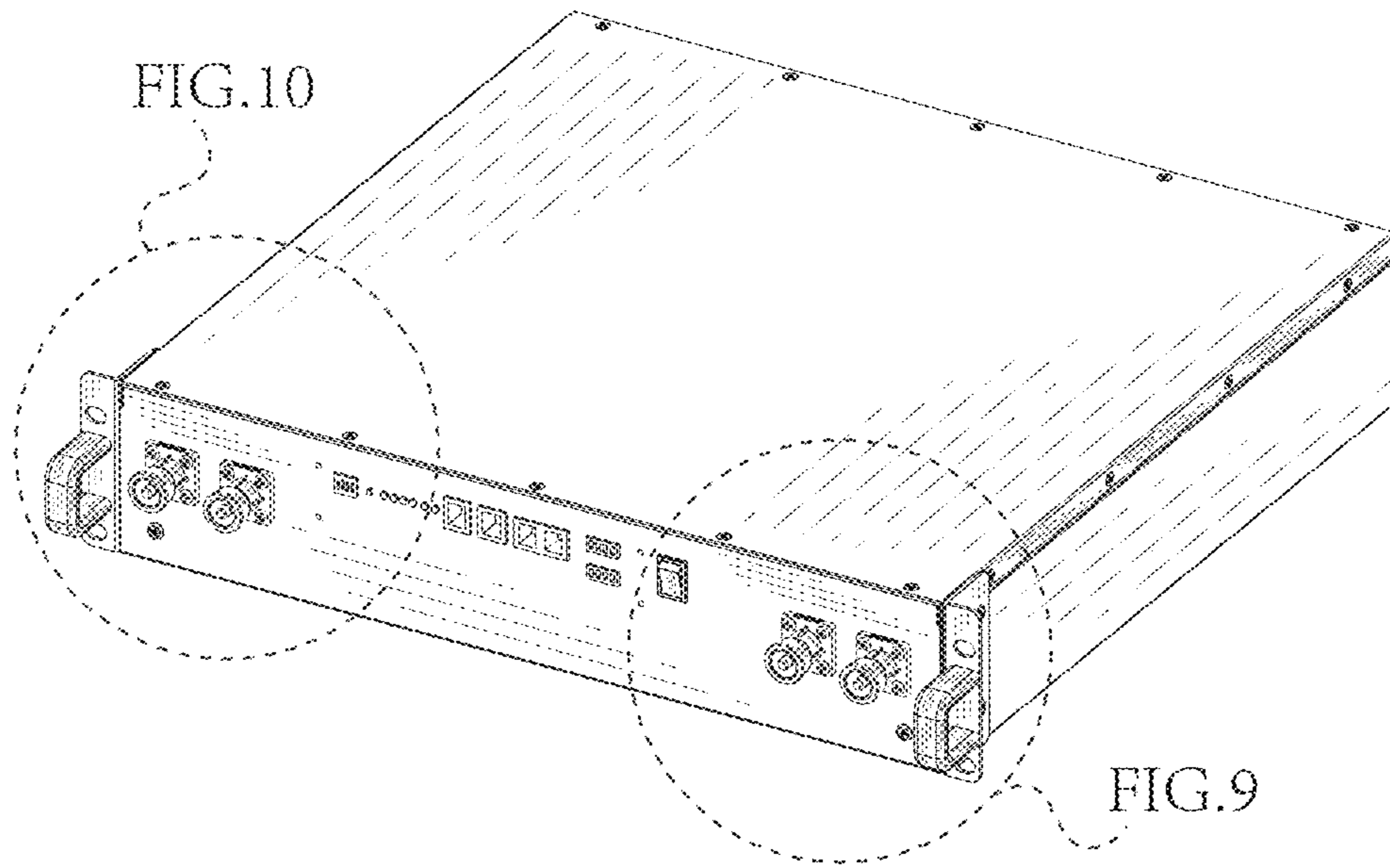


FIG. 8

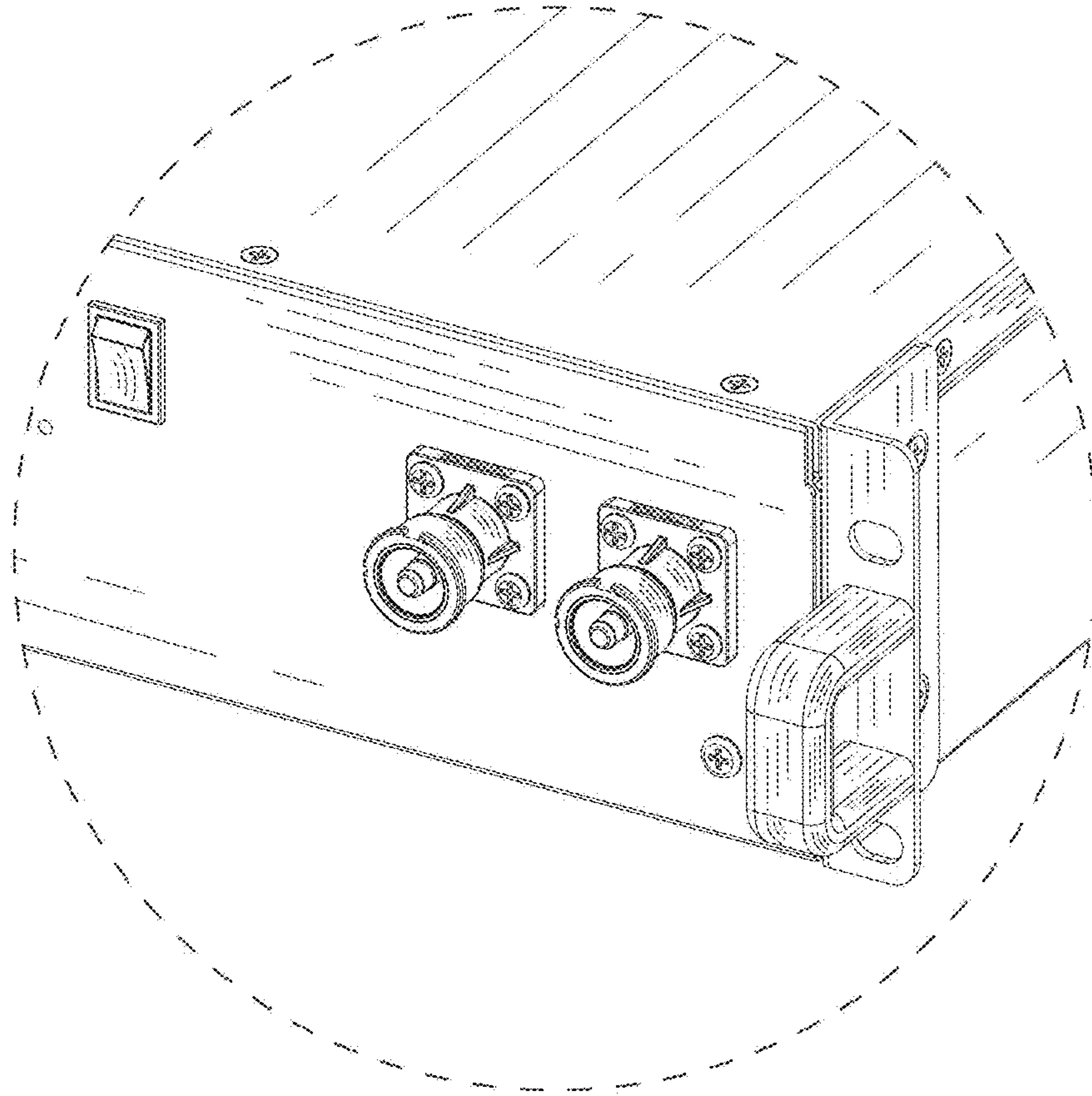


FIG. 9

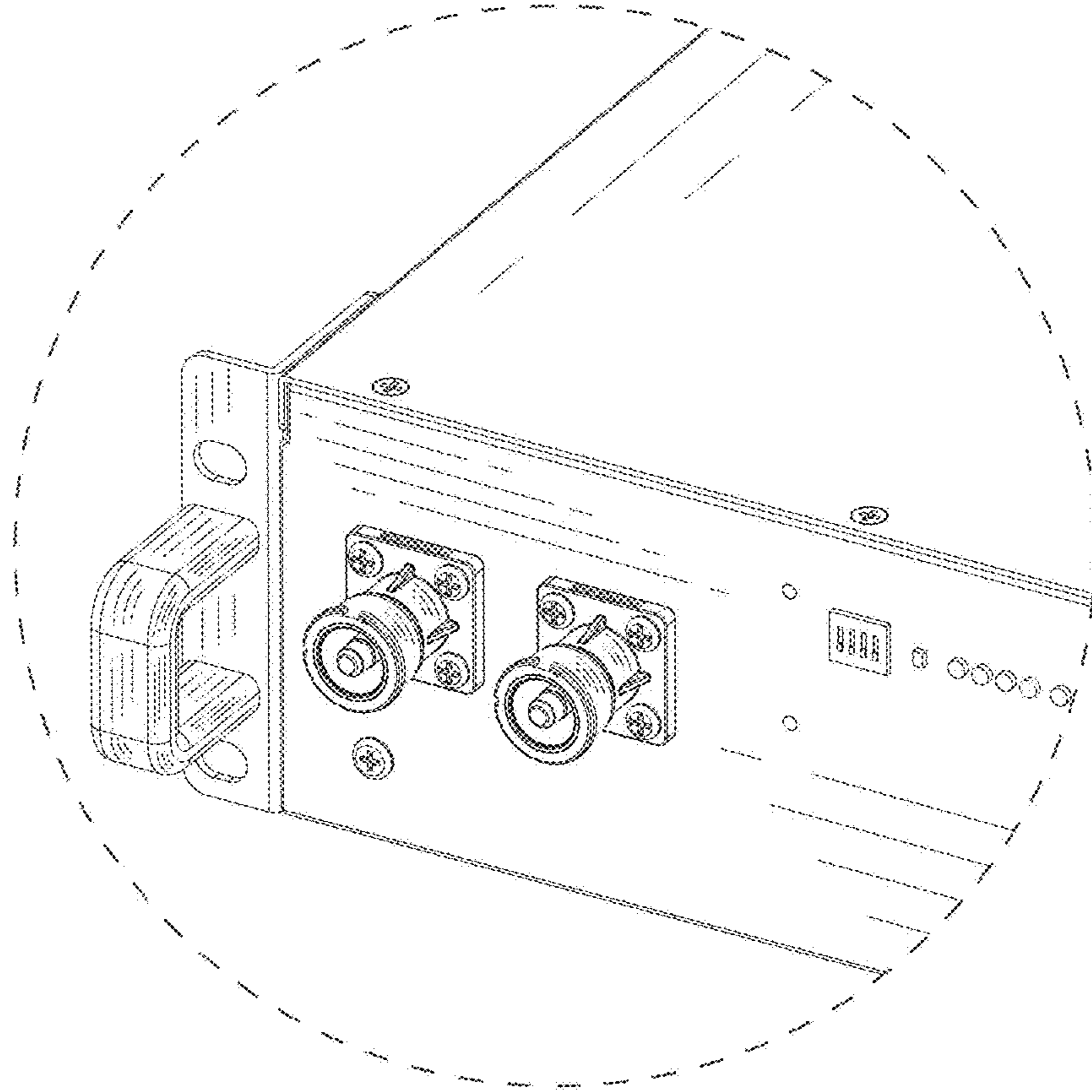


FIG. 10