



US00D988270S

(12) **United States Design Patent** (10) **Patent No.:** **US D988,270 S**
Stifter, Jr. et al. (45) **Date of Patent:** **** Jun. 6, 2023**

(54) **TAP OFF BOX**

FOREIGN PATENT DOCUMENTS

(71) Applicant: **Starline Holdings, LLC**, Canonsburg, PA (US)

CA 100407 * 12/2003
CN 306862156 * 10/2021

(Continued)

(72) Inventors: **Frank Joseph Stifter, Jr.**, Bridgeville, PA (US); **Douglas Raymond Moore**, Charlotte, NC (US); **David Philip Marple**, Canonsburg, PA (US); **John Donald Berenbrok**, Beaver, PA (US); **Lucas Anthony Andrews**, Clinton, PA (US); **Edward James Schultz**, Cuddy, PA (US); **Mark Thomasz Prus Trebicki**, South Deerfield, MA (US)

OTHER PUBLICATIONS

“CB100GE12-L1530-4 StarLine Plug-in Busway Tap Box with 30 Amp Circuit Breaker”, first accessed Oct. 13, 2022. WitmerMotorService.com [https://www.witmermotorservice.com/CB100GE12-L1530-4-StarLine-Plug-in-Busway-Tap-Box-with-30-Amp-Circuit-Breaker/item/CB100GE12-L1530-4] (Year: 2022).*

(Continued)

(73) Assignee: **Starline Holdings, LLC**, Canonsburg, PA (US)

Primary Examiner — Rosemary K Tarcza
Assistant Examiner — Seth David Kumpf

(**) Term: **15 Years**

(74) *Attorney, Agent, or Firm* — McCarter & English, LLP

(21) Appl. No.: **29/799,574**

(57) **CLAIM**

(22) Filed: **Jul. 15, 2021**

The ornamental design for a tap off box, as shown and described.

(51) **LOC (14) Cl.** **13-03**

(52) **U.S. Cl.**
USPC **D13/152**

DESCRIPTION

(58) **Field of Classification Search**
USPC D13/103, 110, 112, 122, 152, 156, 158, D13/184, 199
CPC H05K 5/00; H05K 5/02; H05K 5/0247; H05K 7/00; H05K 7/20; H05K 7/20136; H05K 7/20154
See application file for complete search history.

FIG. 1 is a perspective view of a tap off box; FIG. 2 is a front elevational view of the tap off box of FIG. 1; FIG. 3 is a rear elevational view of the tap off box of FIG. 1; FIG. 4 is a right side elevational view of the tap off box of FIG. 1; FIG. 5 is a left side elevational view of the tap off box of FIG. 1; FIG. 6 is a top plan view of the tap off box of FIG. 1; and, FIG. 7 is a bottom plan view of the tap off box of FIG. 1. The broken lines shown in the drawings are for purposes of illustrating portions of the tap off box that form no part of the claimed design.

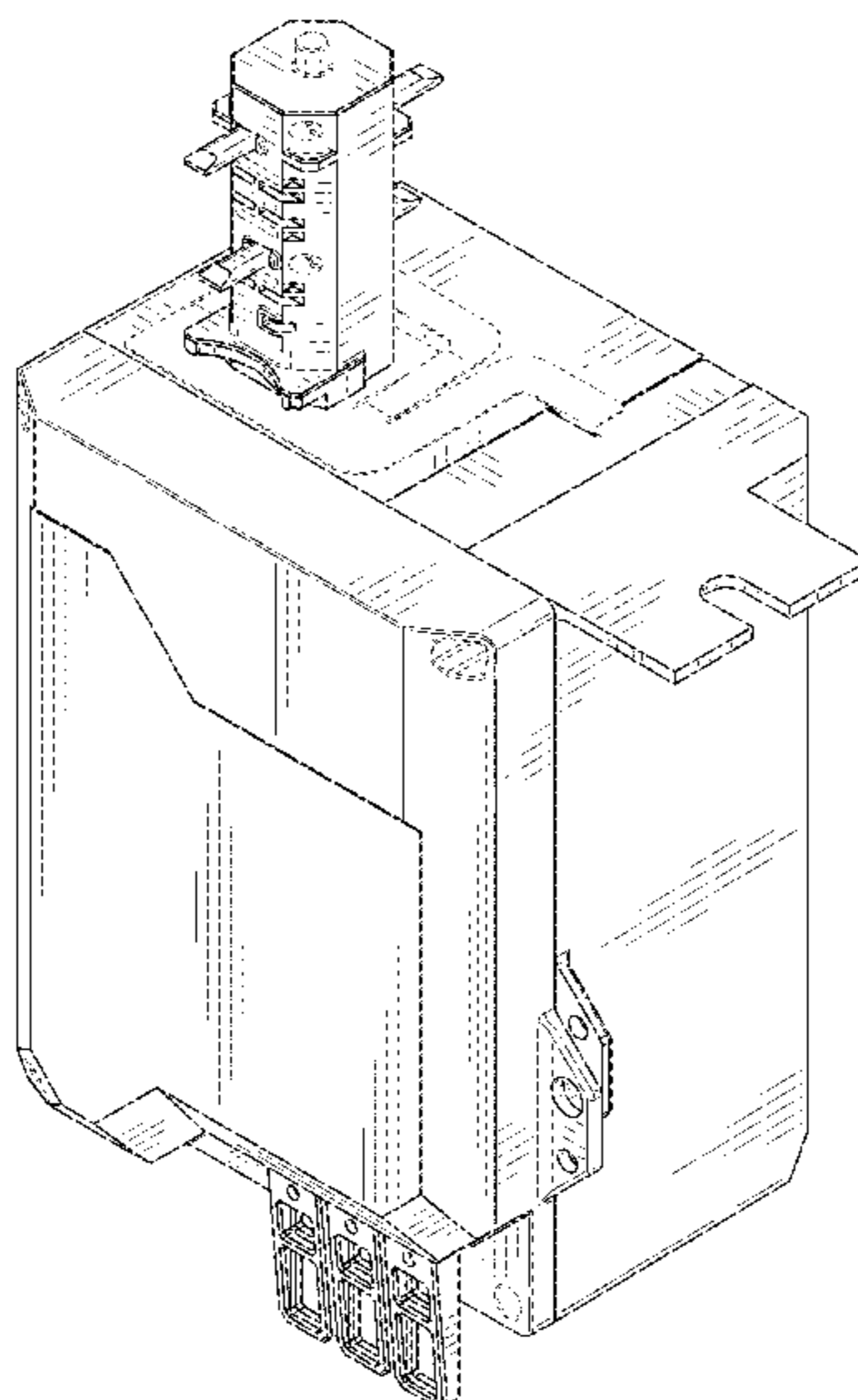
(56) **References Cited**

U.S. PATENT DOCUMENTS

D365,326 S * 12/1995 Starec D13/152
D396,692 S * 8/1998 Shen D13/152
5,837,933 A * 11/1998 Fligelman H01H 9/04
D13/152

(Continued)

1 Claim, 7 Drawing Sheets



(56)

References Cited

U.S. PATENT DOCUMENTS

D428,603 S * 7/2000 Sonntag D13/184
D545,765 S * 7/2007 Cockburn D13/152
2003/0000720 A1* 1/2003 Sato H02G 3/088
174/50
2022/0111808 A1* 4/2022 Tomita H02G 3/16

FOREIGN PATENT DOCUMENTS

CN 307118673 * 2/2022
GB 6185878 * 1/2022

OTHER PUBLICATIONS

“Starline CB225-20-192-0085-0G02 Track Busway Tap Box w/
Lithonia Connection”, first accessed Oct. 13, 2022. ebay.com [[https://
www.ebay.com/itm/Starline-CB225-20-192-0085-0G02-Track-
Busway-Tap-Box-w-Lithonia-Connection-/152749945480?_ul=
IN](https://www.ebay.com/itm/Starline-CB225-20-192-0085-0G02-Track-Busway-Tap-Box-w-Lithonia-Connection-/152749945480?_ul=IN)] (Year: 2022).*

“Busway Solutions Introduces New Tap-Off Box”, first posted Feb.
23, 2017. ePRNews.com [[https://eprnews.com/busway-solutions-
introduces-new-tap-off-box-82593/](https://eprnews.com/busway-solutions-introduces-new-tap-off-box-82593/)] (Year: 2017).*

* cited by examiner

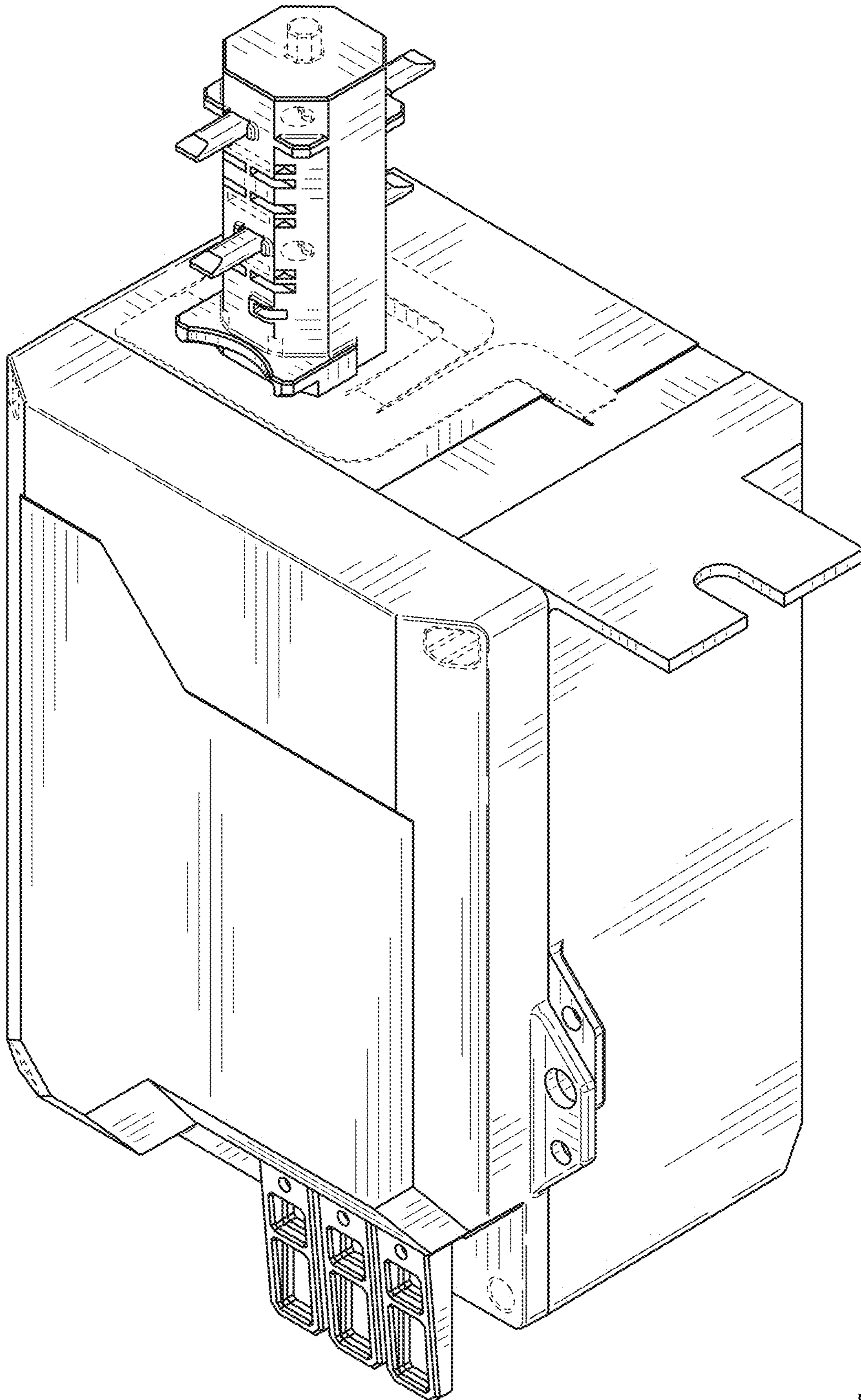


FIG. 1

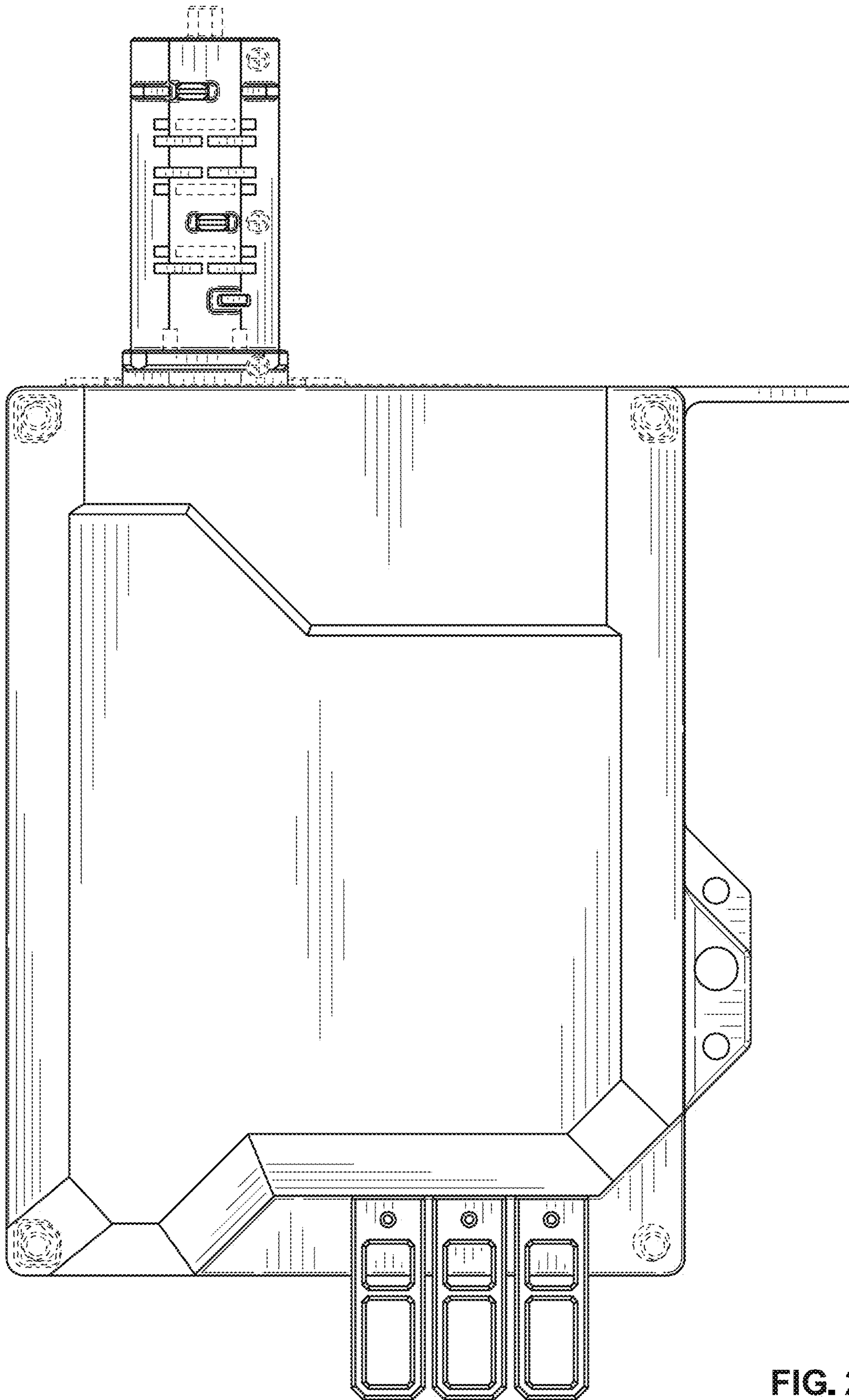


FIG. 2

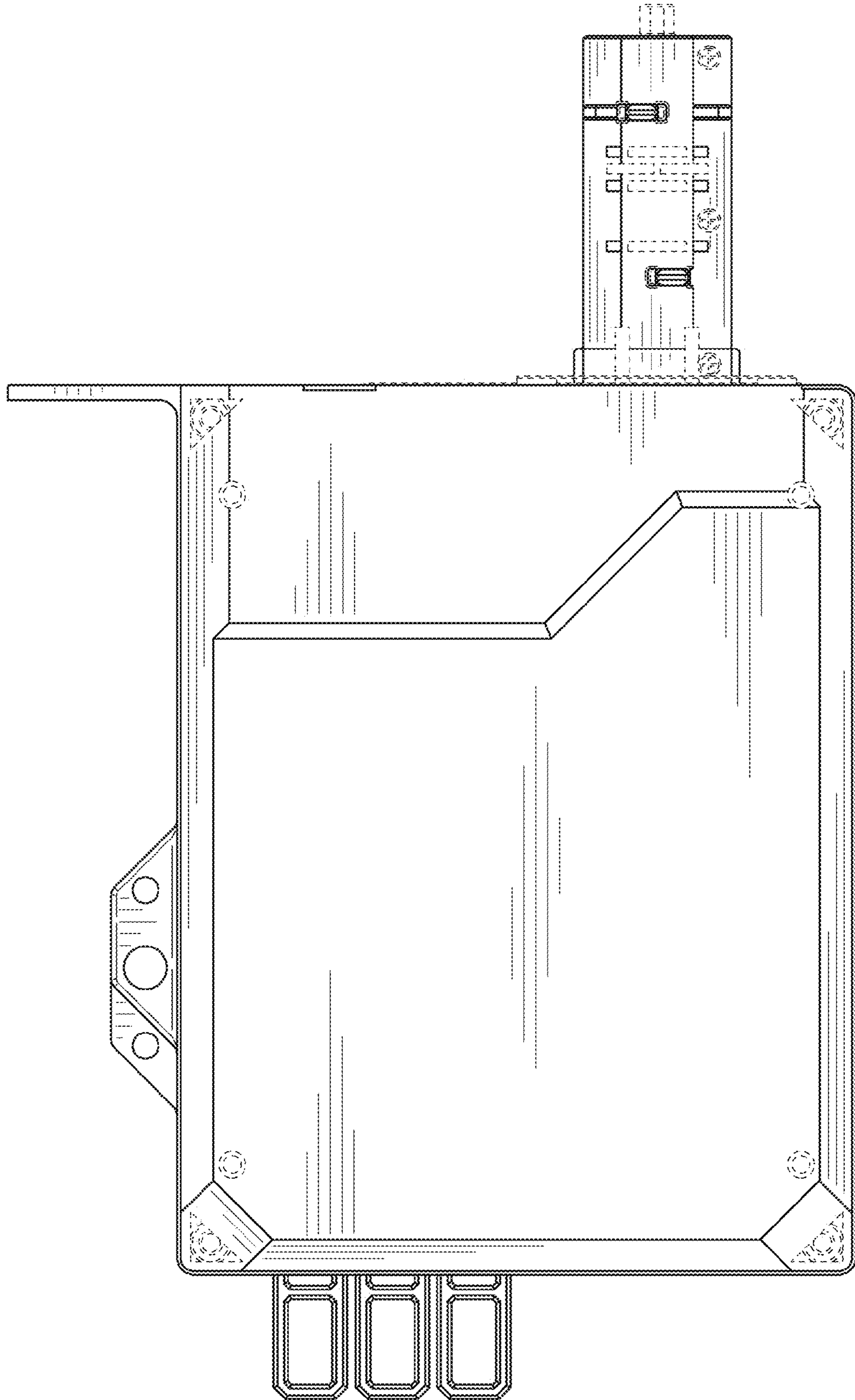


FIG. 3

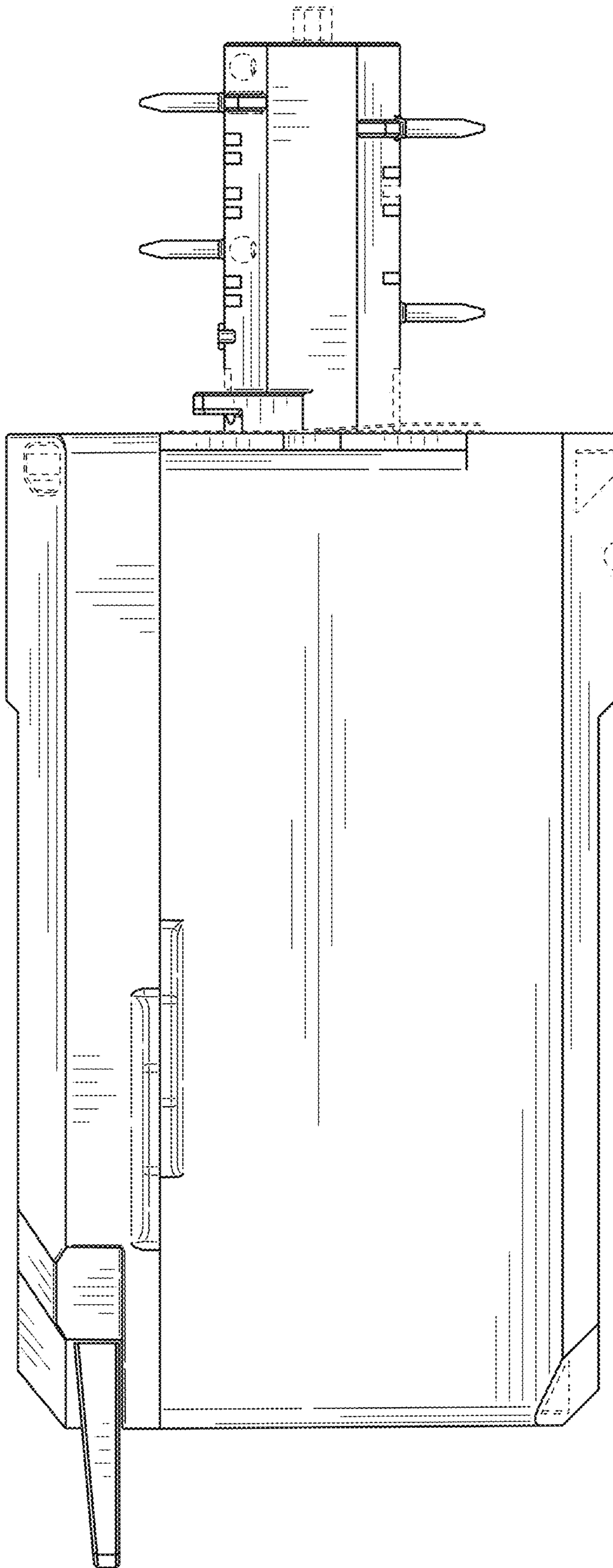


FIG. 4

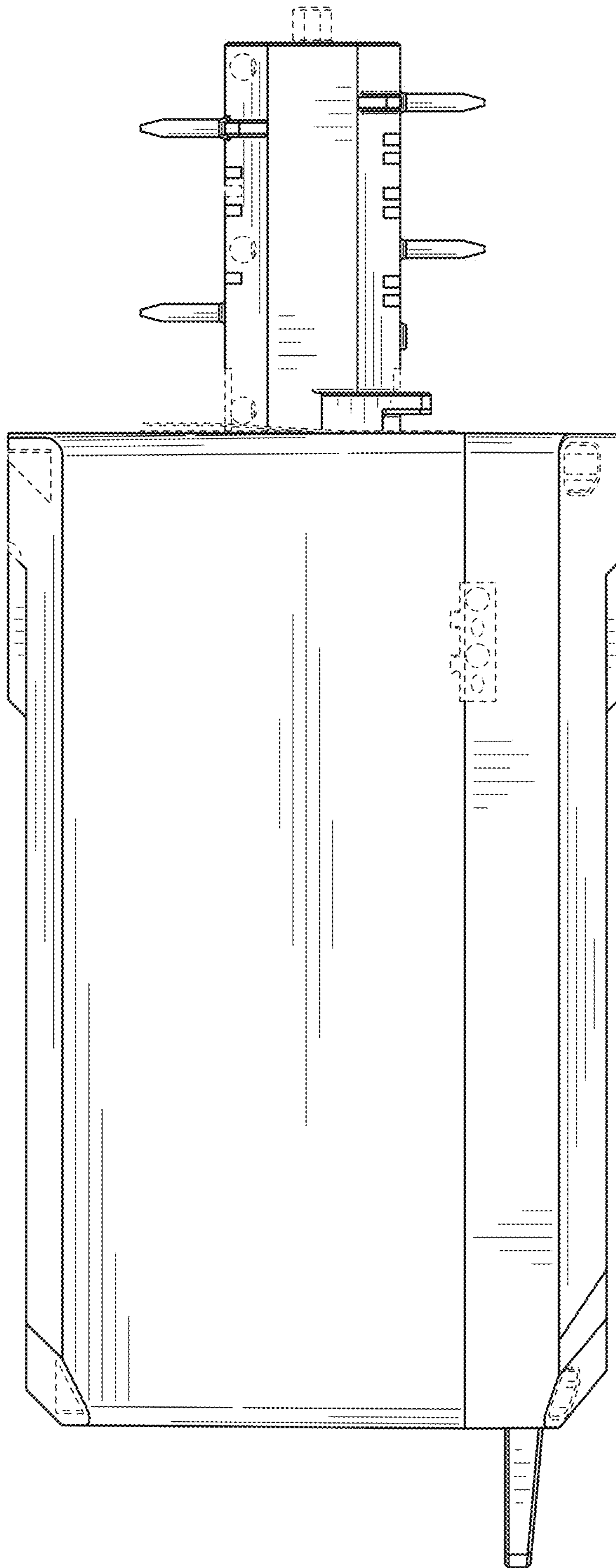


FIG. 5

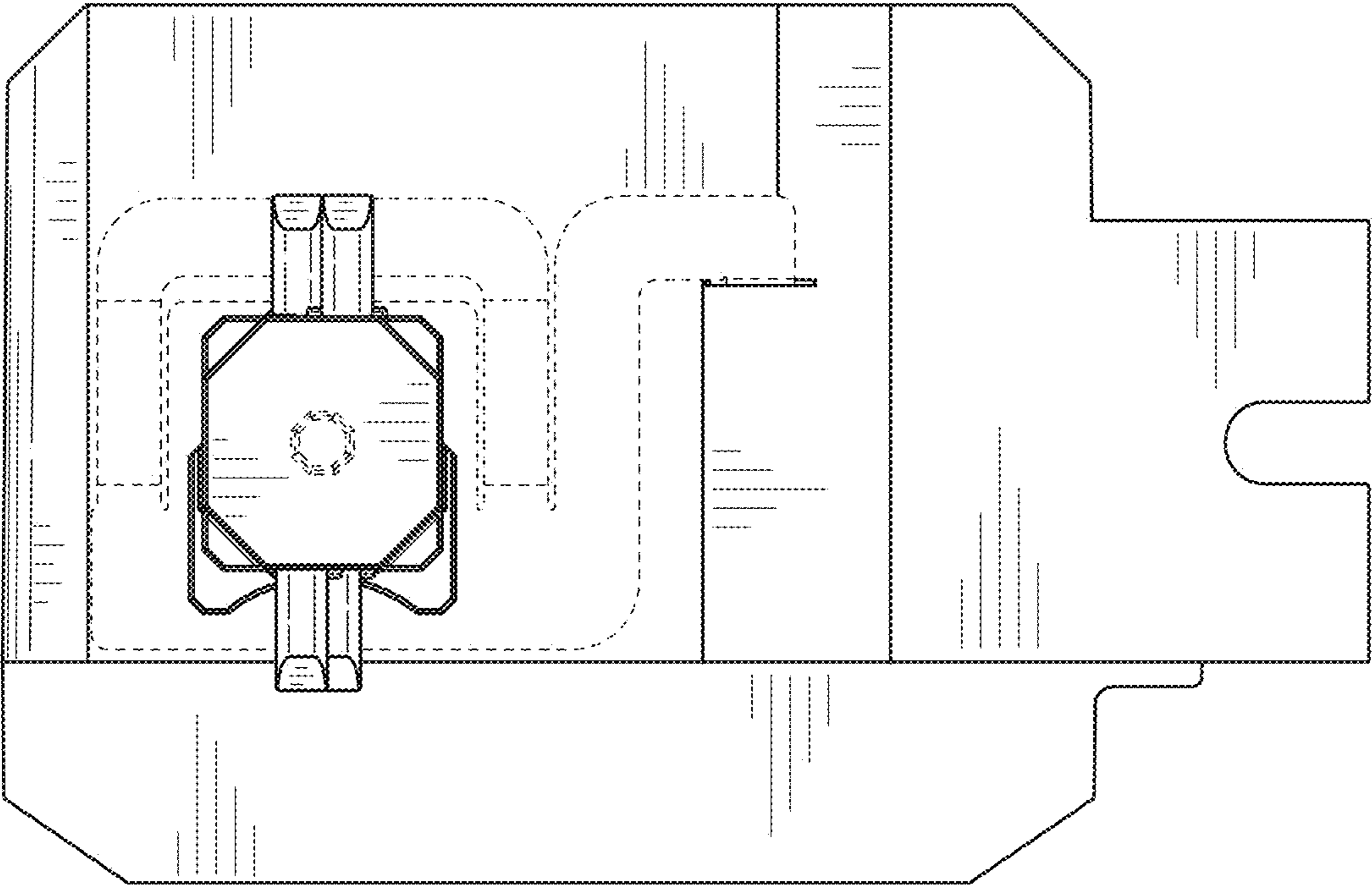


FIG. 6

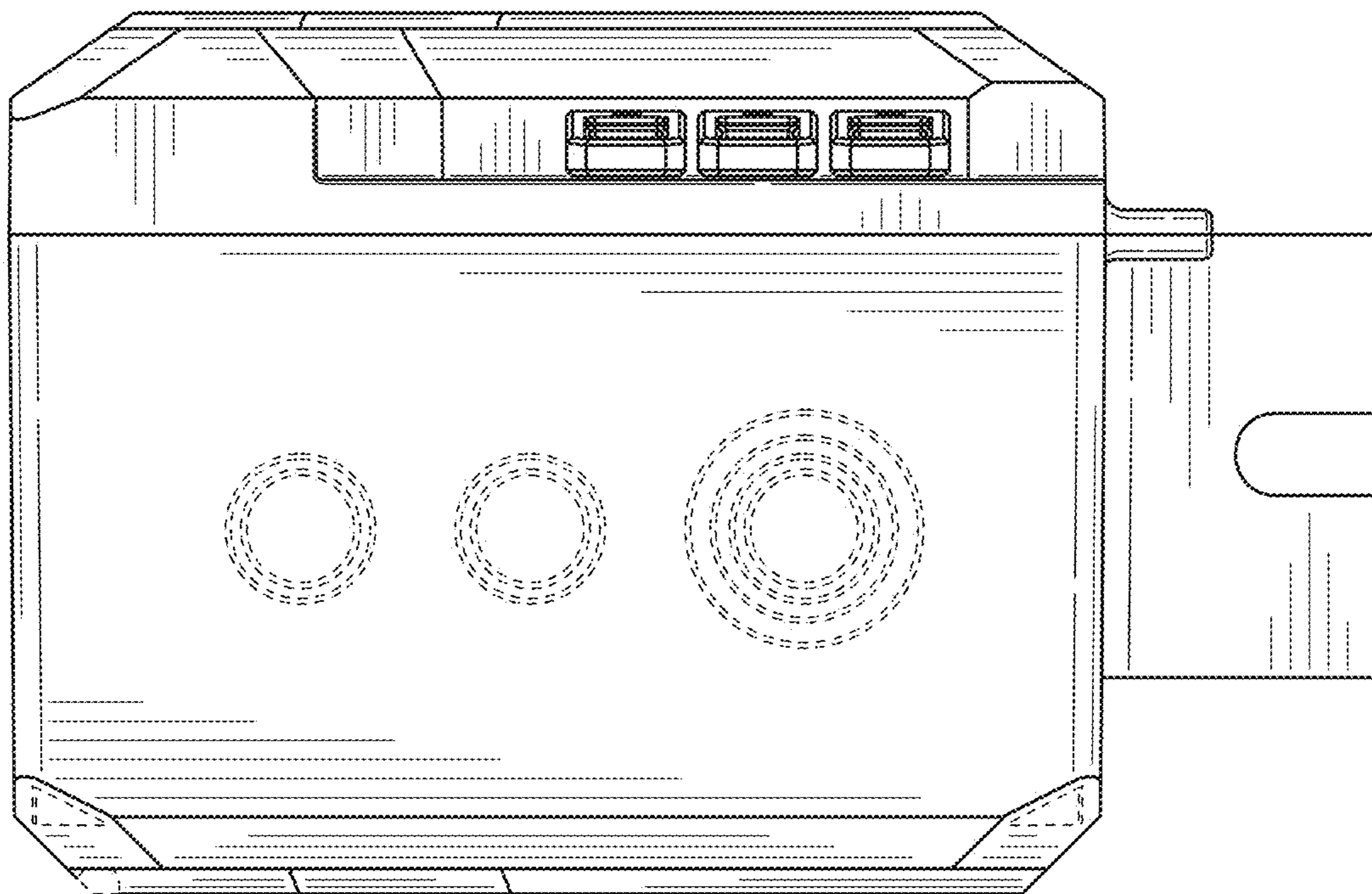


FIG. 7