



US00D988268S

(12) **United States Design Patent** (10) **Patent No.:** **US D988,268 S**
Lin (45) **Date of Patent:** **** Jun. 6, 2023**

(54) **MULTI-DIRECTION SOCKET**
(71) Applicant: **Chia-Hua Lin**, New Taipei (TW)
(72) Inventor: **Chia-Hua Lin**, New Taipei (TW)
(**) Term: **15 Years**

D962,174 S * 8/2022 Jiahuan D13/139.1
2003/0181105 A1* 9/2003 Lee H01R 35/00
439/638
2003/0228803 A1* 12/2003 Toering H01R 25/003
439/652

(Continued)

(21) Appl. No.: **29/813,112**
(22) Filed: **Oct. 27, 2021**

FOREIGN PATENT DOCUMENTS

CN 305141418 * 5/2019
CN 305766288 * 5/2020

(51) **LOC (14) Cl.** **13-03**
(52) **U.S. Cl.**
USPC **D13/137.4**

OTHER PUBLICATIONS

“Dewenwils Outdoor Remote Control Outlet, Wireless Remote Outlet Power Switch, Weatherproof 15 A Heavy Duty Electrical Plug, 3 Grounded Outlets for String Lights, 100Ft Range, UL Listed”, first available Jan. 11, 2018. Amazon.com [https://www.amazon.com/dp/B077Q78LSJ] (Year: 2018).*

(Continued)

(58) **Field of Classification Search**
USPC D13/137.1, 137.2, 137.3, 137.4, 138.1,
D13/138.2, 139.1, 139.2, 139.3, 139.4,
D13/139.5, 139.6, 139.7, 139.8, 184, 199
CPC H01R 13/11; H01R 13/518; H01R 13/642;
H01R 13/652; H01R 25/003; H01R
25/006; H01R 43/26; H01H 71/62; H01H
73/14

Primary Examiner — Rosemary K Tarcza
Assistant Examiner — Seth David Kumpf
(74) *Attorney, Agent, or Firm* — Chun-Ming Shih;
Lanway IPR Services

See application file for complete search history.

(57) **CLAIM**

The ornamental design for a multi-direction socket, as shown and described.

(56) **References Cited**

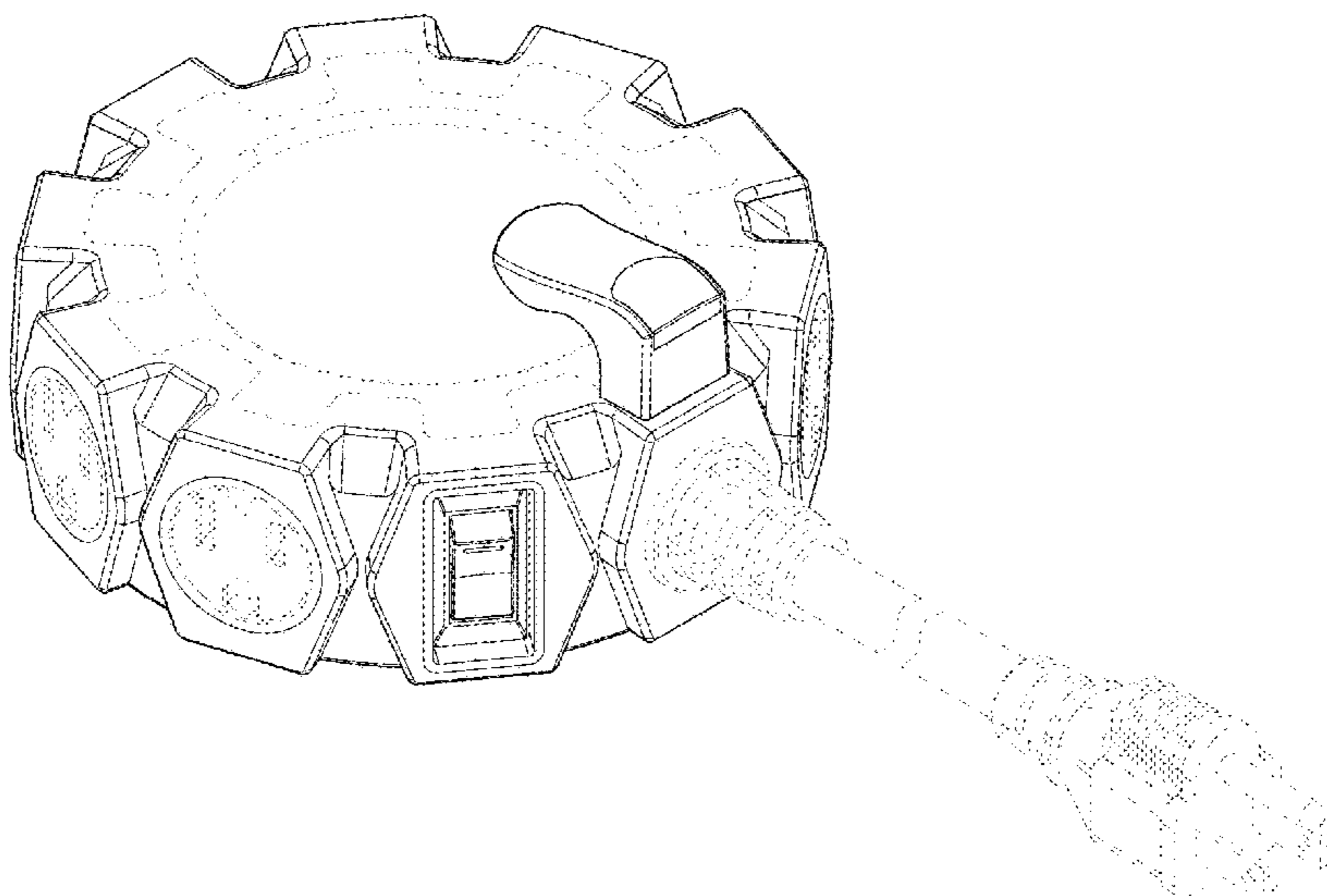
U.S. PATENT DOCUMENTS

D276,225 S * 11/1984 Powel D13/137.2
D562,240 S * 2/2008 Lee D13/137.2
D599,290 S * 9/2009 Lee D13/137.2
D614,134 S * 4/2010 Chen D13/137.2
D651,977 S * 1/2012 Lee D13/139.1
D686,993 S * 7/2013 Millar-Sax D13/137.2
D736,710 S * 8/2015 Lin D13/137.2
D789,891 S * 6/2017 Eshelman D13/137.2
D817,887 S * 5/2018 Yu D13/139.1
D821,978 S * 7/2018 Yu D13/139.7
D883,218 S * 5/2020 Eshelman D13/137.2
D929,942 S * 9/2021 Lin D13/137.2
D929,943 S * 9/2021 Lin D13/137.2
D953,993 S * 6/2022 Lee D13/137.2
D955,993 S * 6/2022 Lee D13/137.2
D955,996 S * 6/2022 Lee D13/137.2

DESCRIPTION

FIG. 1 is a top front right-side perspective view of a multi-direction socket showing my new design;
FIG. 2 is a front view thereof;
FIG. 3 is a rear view thereof;
FIG. 4 is a left-side view thereof;
FIG. 5 is a right-side view thereof;
FIG. 6 is a top view thereof; and,
FIG. 7 is a bottom view thereof; and,
FIG. 8 is a top rear left-side perspective view thereof.
The broken lines depict portions of the multi-direction socket that form no part of the claimed design.

1 Claim, 8 Drawing Sheets



(56)

References Cited

U.S. PATENT DOCUMENTS

2010/0022106 A1* 1/2010 Lee H01R 25/003
439/651
2010/0159733 A1* 6/2010 Lee H01R 13/72
439/369
2013/0078861 A1* 3/2013 Cheng H01R 13/7175
439/620.02

OTHER PUBLICATIONS

“Dewenwils Outdoor Extension Cord Power Adapter, Heavy Duty 5-Outlet Power Hub with Swivel Safety Covers, Widely-Spaced Power Outlet for Workshop, Jobsite, Garage, 15A Circuit Breaker (Orange)”, first available Nov. 16, 2021. Amazon.com [<https://www.amazon.com/dp/B09LYL4TH8>] (Year: 2021).*

* cited by examiner

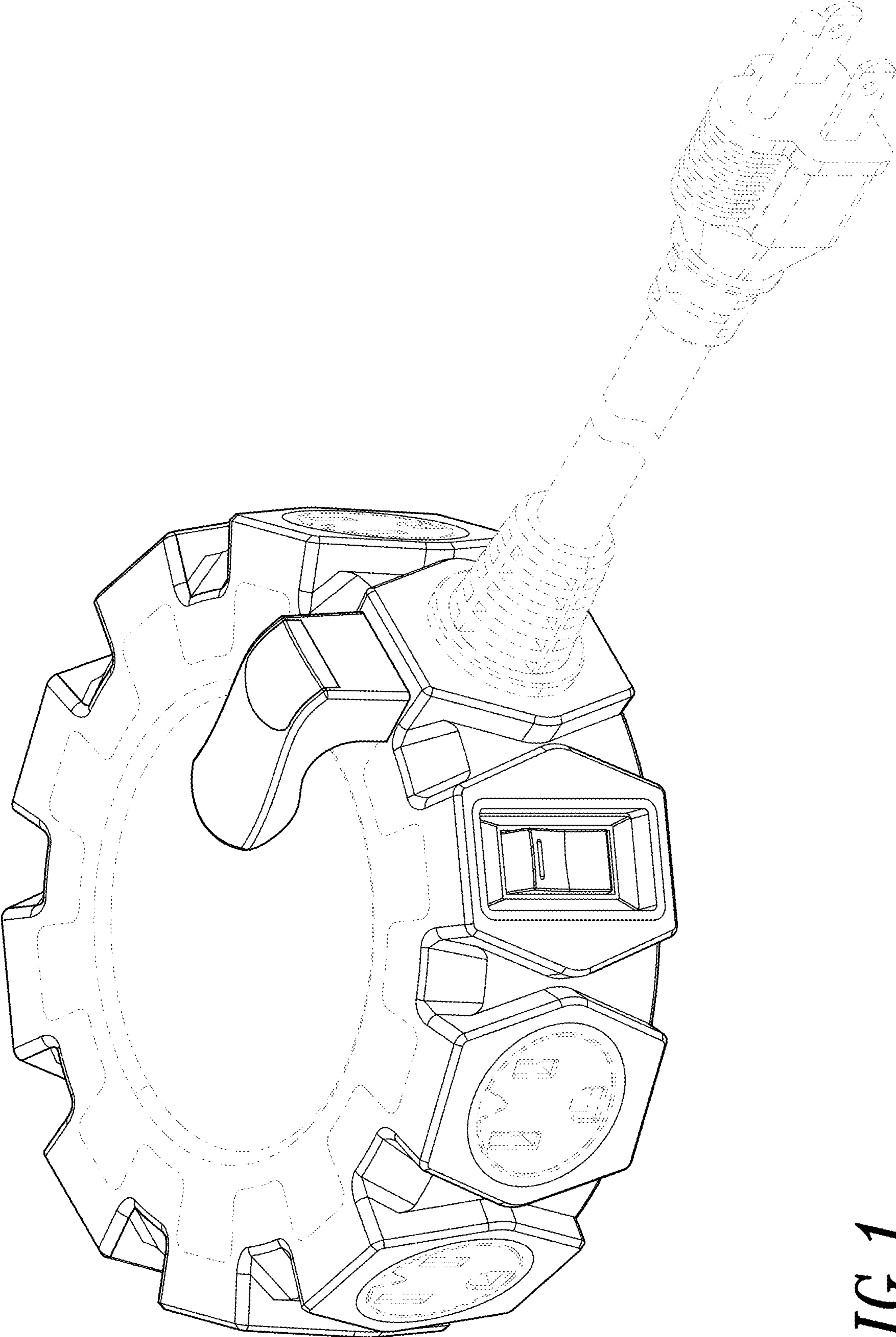


FIG. 1

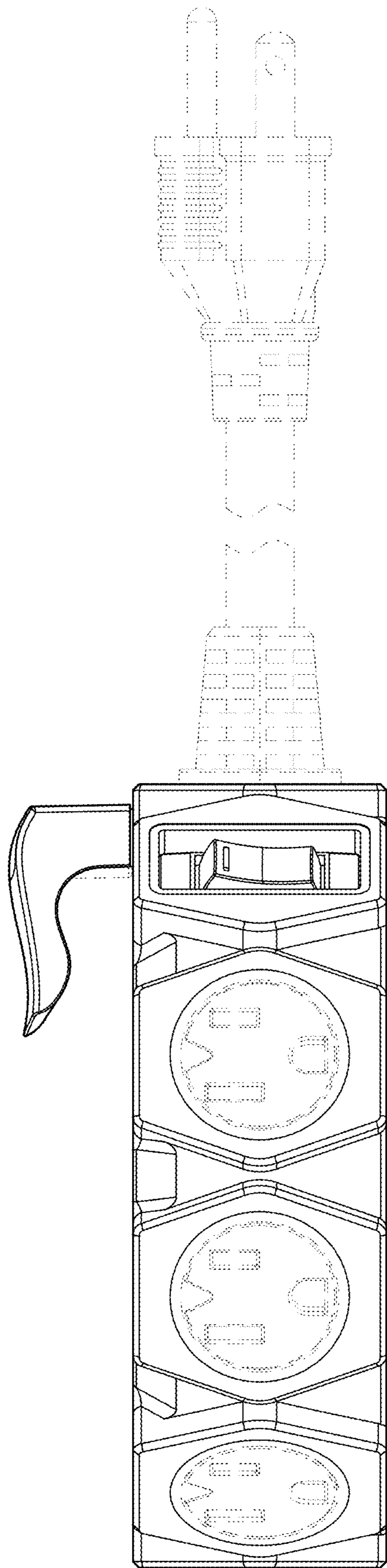


FIG. 2

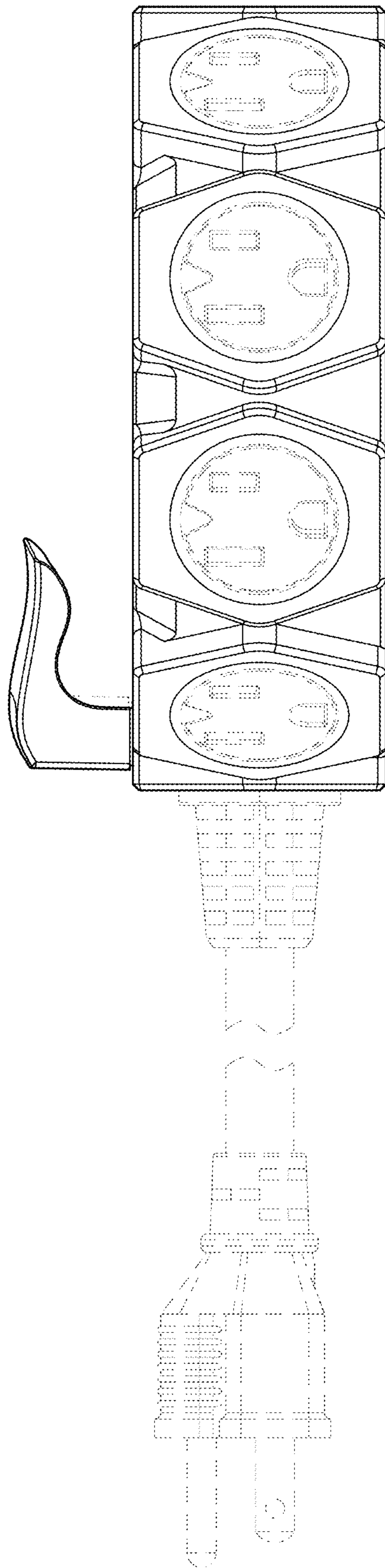


FIG. 3

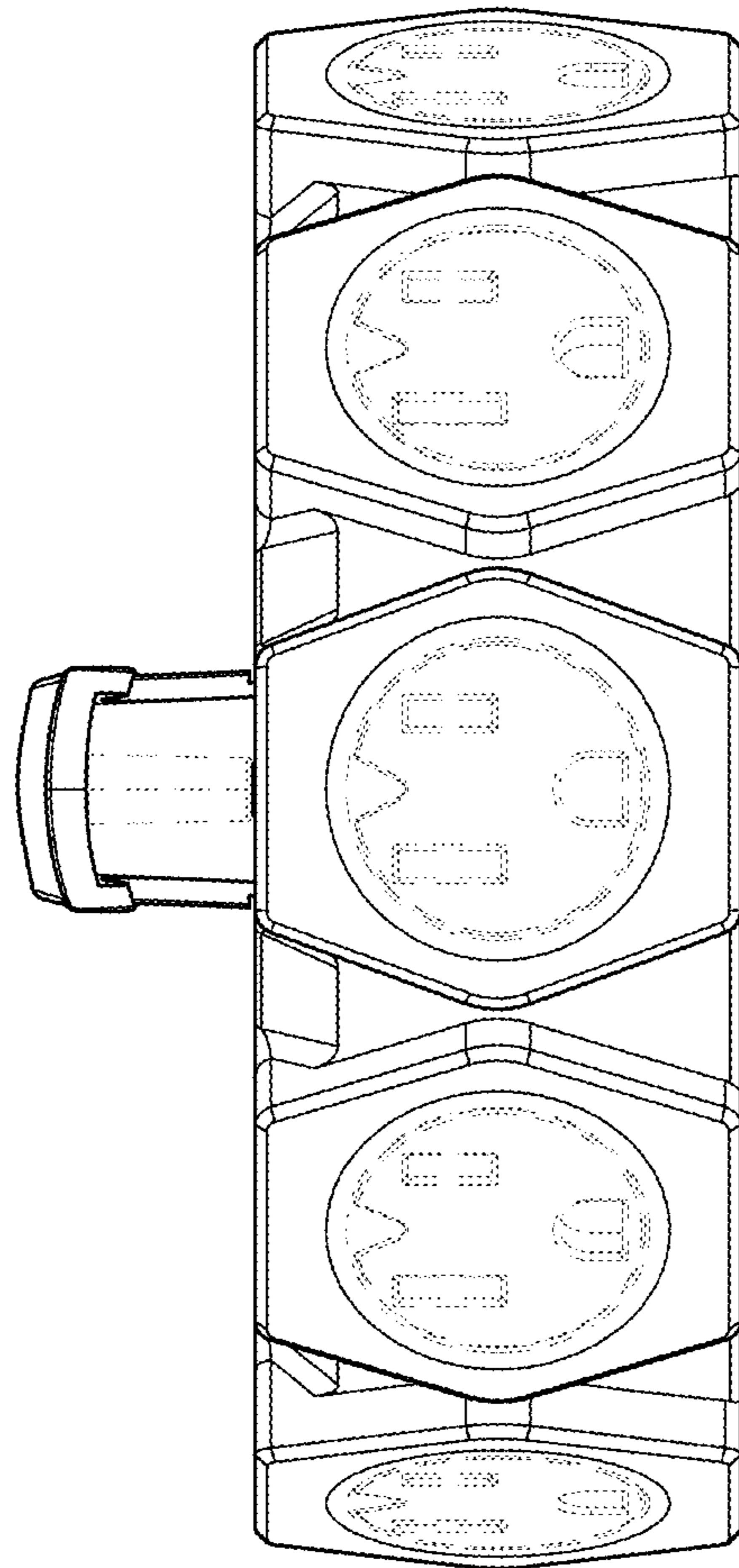


FIG. 4

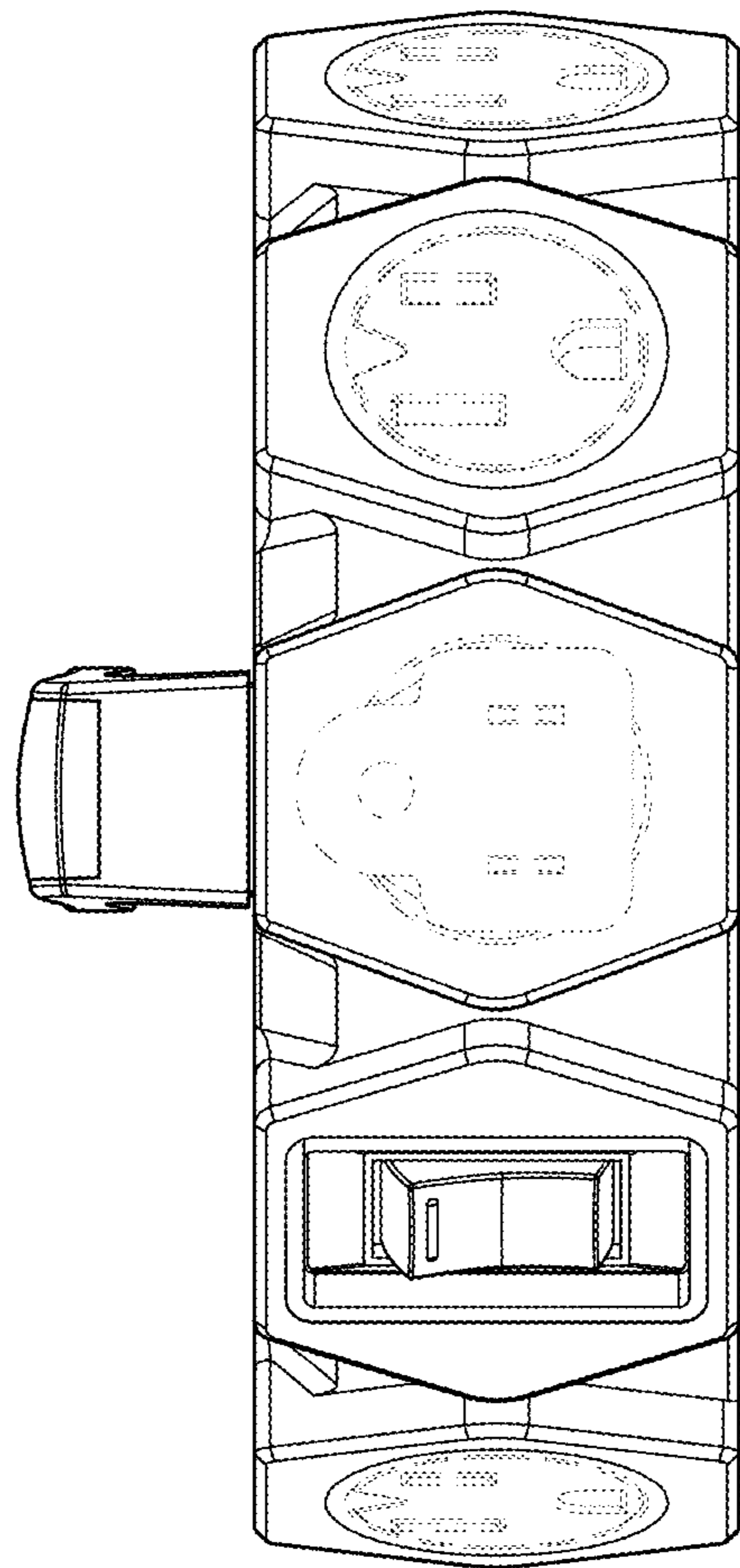


FIG. 5

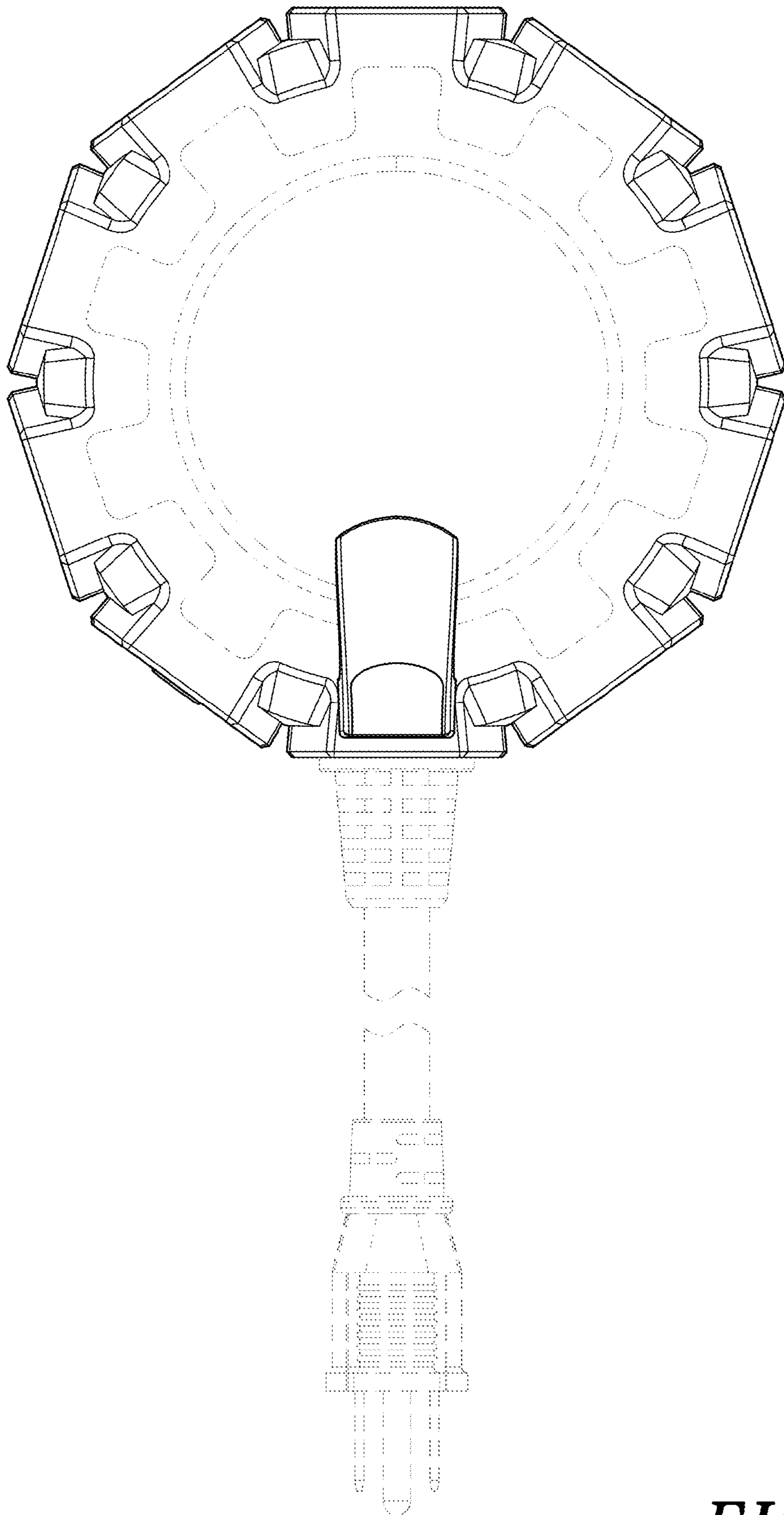


FIG. 6

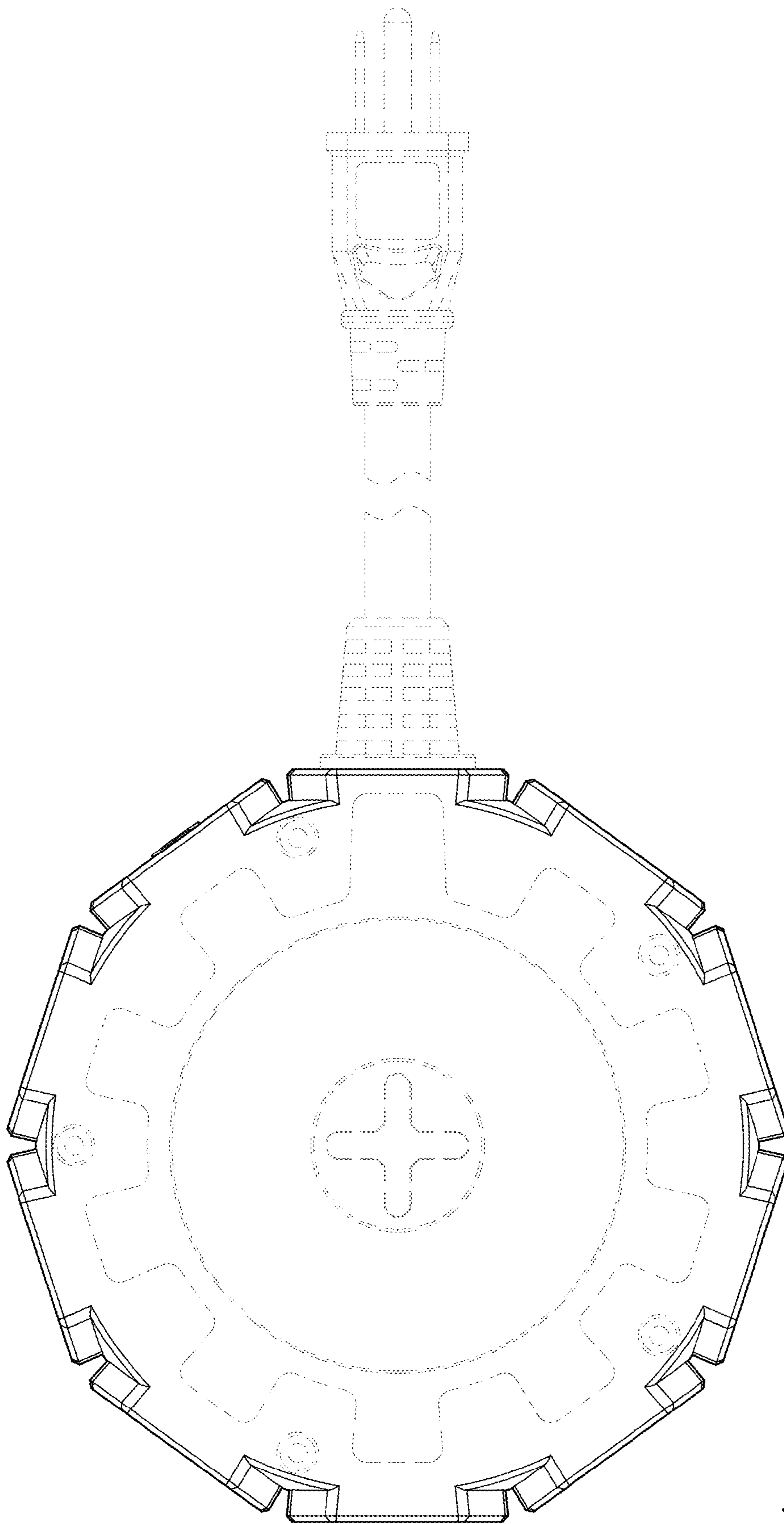


FIG. 7

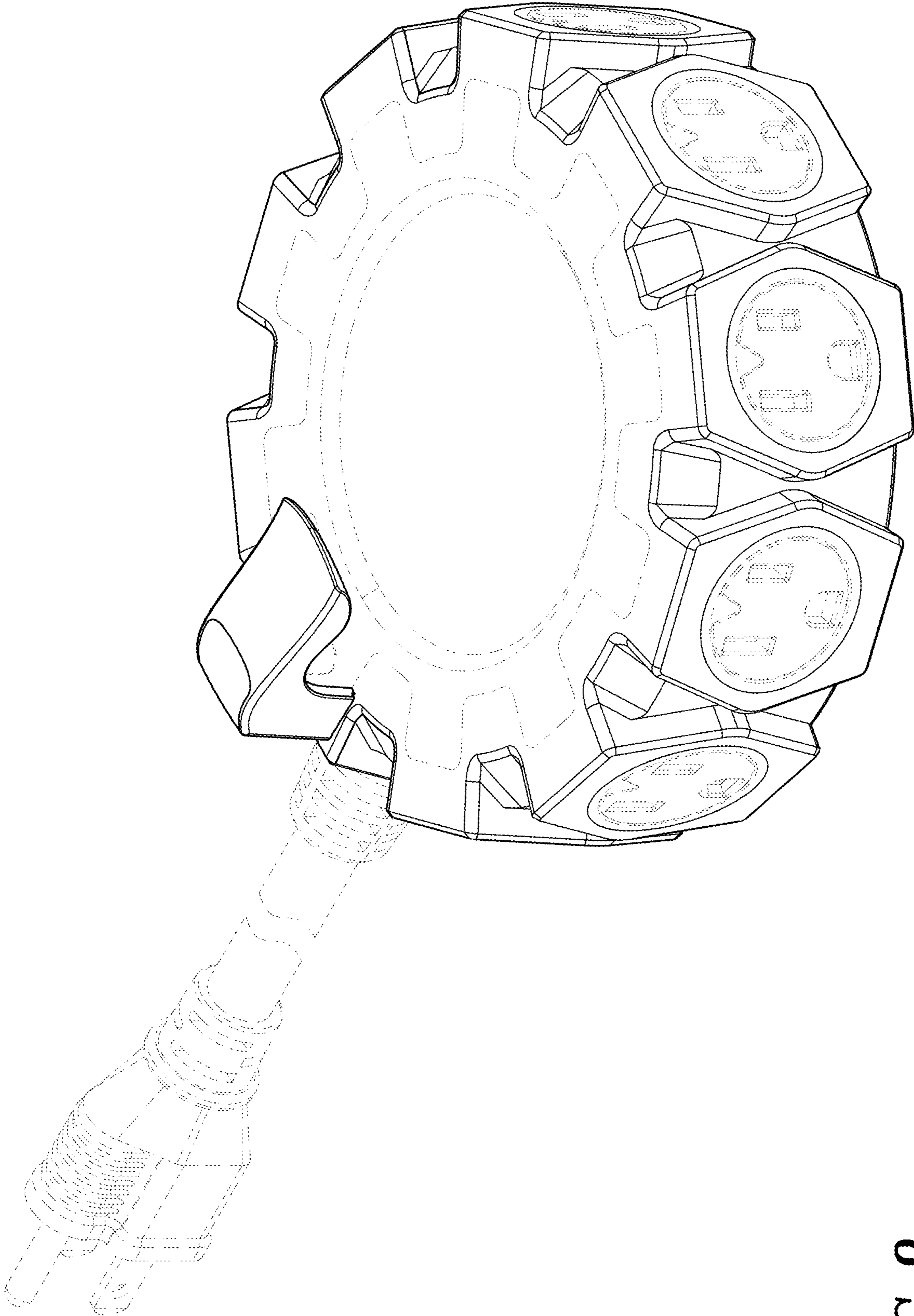


FIG. 8