



US00D988266S

(12) **United States Design Patent**
Penz et al.

(10) **Patent No.:** **US D988,266 S**
(45) **Date of Patent:** **** Jun. 6, 2023**

(54) **CLAMP**
(71) Applicant: **ELECTRO TERMINAL GMBH & CO KG**, Innsbruck (AT)
(72) Inventors: **Rosa-Maria Penz**, Innsbruck (AT); **Peter Moser**, Stans (AT); **Walter Mittermueller**, Mieders (AT); **Reinhard Margreiter**, Westendorf (AT)
(73) Assignee: **ELECTRO TERMINAL GMBH & CO KG**, Innsbruck (AT)

(**) Term: **15 Years**
(21) Appl. No.: **29/767,678**
(22) Filed: **Jan. 25, 2021**

(30) **Foreign Application Priority Data**
Jul. 23, 2020 (EM) 008052237
(51) **LOC (14) Cl.** **13-03**
(52) **U.S. Cl.**
USPC **D13/133**
(58) **Field of Classification Search**
USPC D8/349, 352, 382, 72, 394, 395, 396, 73, D8/383, 323, 306, 325, 16; D10/31, 33, D10/38; D16/242, 245; D13/133, D13/146-147
CPC H01R 13/62905; H01R 13/639; H01R 9/2416; H01R 4/48; H01R 4/4836; H01R 13/6275; H01R 2101/00; H01R 2201/20; H01R 9/24; H01R 11/09
See application file for complete search history.

(56) **References Cited**
U.S. PATENT DOCUMENTS
4,678,264 A * 7/1987 Bowen G02B 6/3817 385/88
6,595,809 B2 * 7/2003 Matsumoto H01R 4/4827 439/372

7,766,689 B2 * 8/2010 Knoerrchen H01R 4/4836 439/437
8,444,443 B2 * 5/2013 Schafmeister H01R 4/4836 439/441
9,543,700 B2 * 1/2017 Köllmann H01R 13/62905
9,761,964 B2 * 9/2017 Meyer H01R 9/2416
9,859,649 B2 * 1/2018 Konietzko H01R 13/506
D854,502 S * 7/2019 Meyer D8/394
(Continued)

FOREIGN PATENT DOCUMENTS

DE 202017107800 U1 * 9/2018 H01R 13/6275

OTHER PUBLICATIONS

SLK 5 SKII, Google.com, [online], [site visited Jul. 9, 2022], Available from internet URL: <https://www.electroterminal.com/products/ca/product/p/slk-5-skii/> (Year: NA) (Year: NA) (Year: NA).*

Primary Examiner — Michael A. Pratt
(74) *Attorney, Agent, or Firm* — Scully, Scott, Murphy & Presser, P.C.

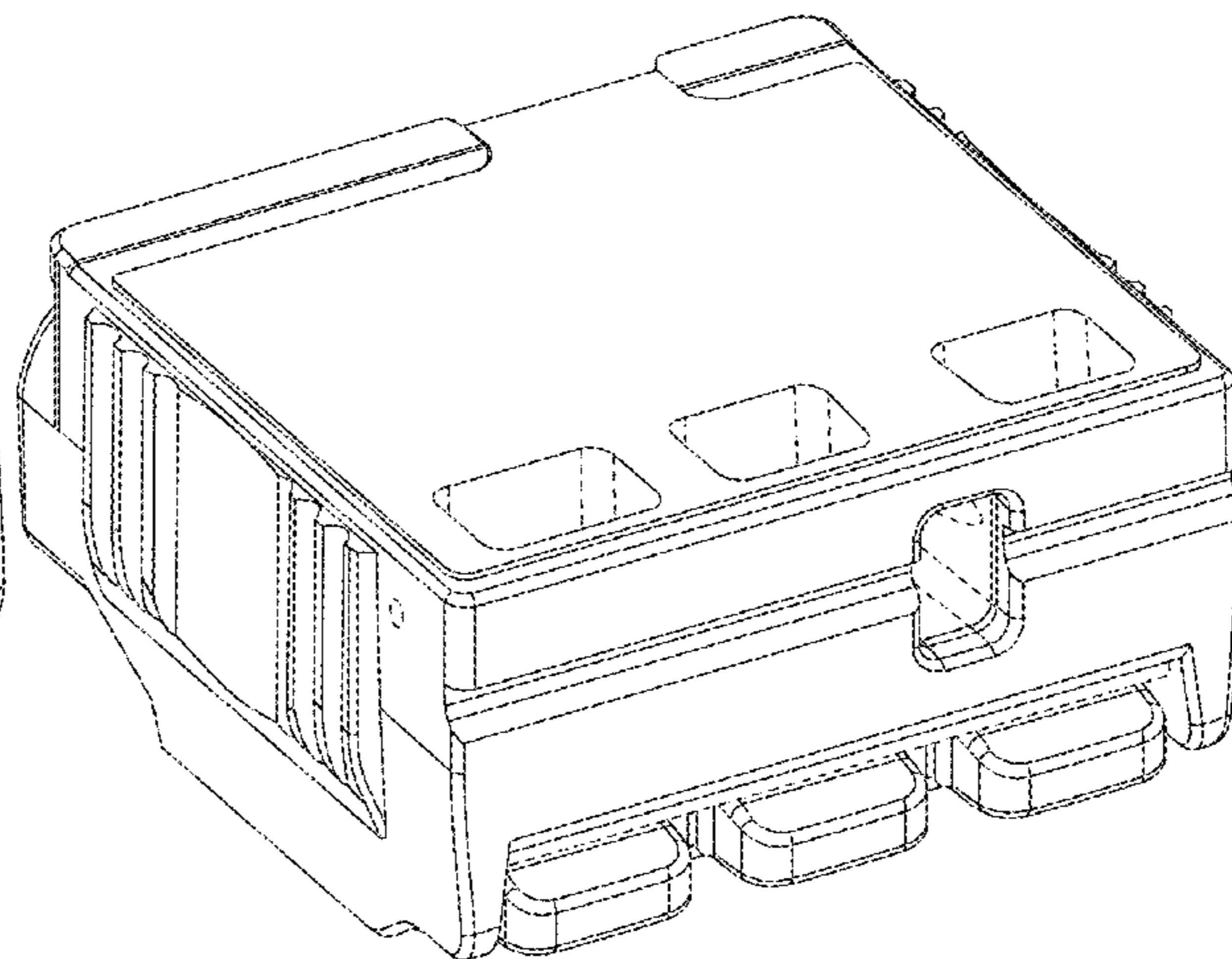
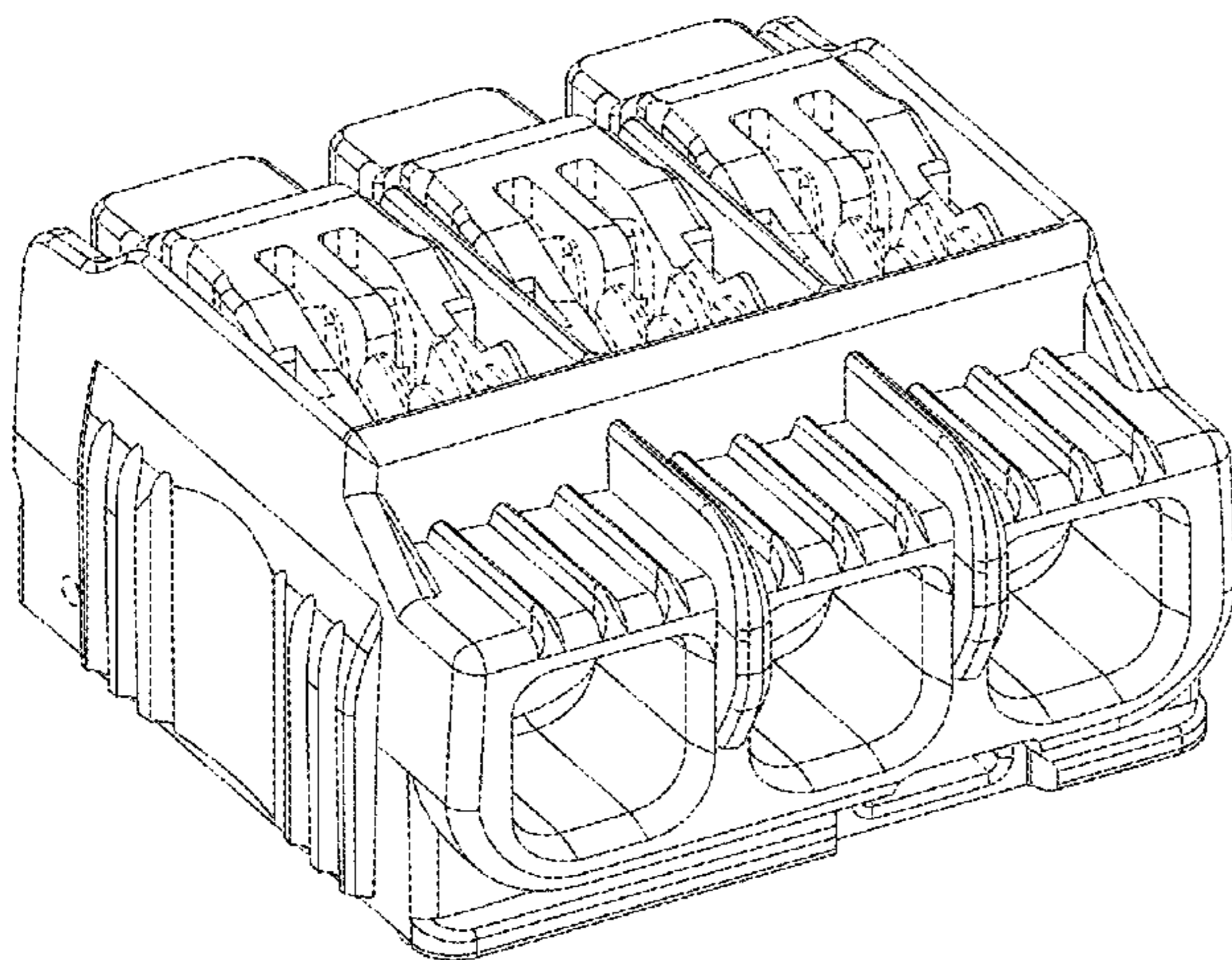
(57) **CLAIM**

The ornamental design for a clamp, as shown and described.

DESCRIPTION

FIG. 1 is a top front perspective view of a clamp showing our new and ornamental design;
FIG. 2 is a bottom rear perspective view thereof;
FIG. 3 is a front elevation view thereof;
FIG. 4 is a rear elevation view thereof;
FIG. 5 is a side elevation view thereof;
FIG. 6 is top plan view thereof;
FIG. 7 is a bottom plan view thereof; and,
FIG. 8 is an opposite side view thereof.
The broken lines in the drawings depict portions of the clamp that form no part of the claimed design.

1 Claim, 8 Drawing Sheets



(56)

References Cited

U.S. PATENT DOCUMENTS

10,505,295 B2 * 12/2019 Moser H01R 13/62905
11,043,759 B2 * 6/2021 Ober-Woerder ... H01R 13/5213
11,316,288 B2 * 4/2022 Urbaniak H01R 13/506
11,322,862 B2 * 5/2022 Ober-Woerder H01R 9/24
2015/0372402 A1 * 12/2015 Köllmann H01R 4/4836
439/816
2016/0352028 A1 * 12/2016 Meyer H01R 4/4836
2018/0145428 A1 * 5/2018 Meyer H01R 4/4809
2018/0331438 A1 * 11/2018 Moser H01R 4/48

* cited by examiner

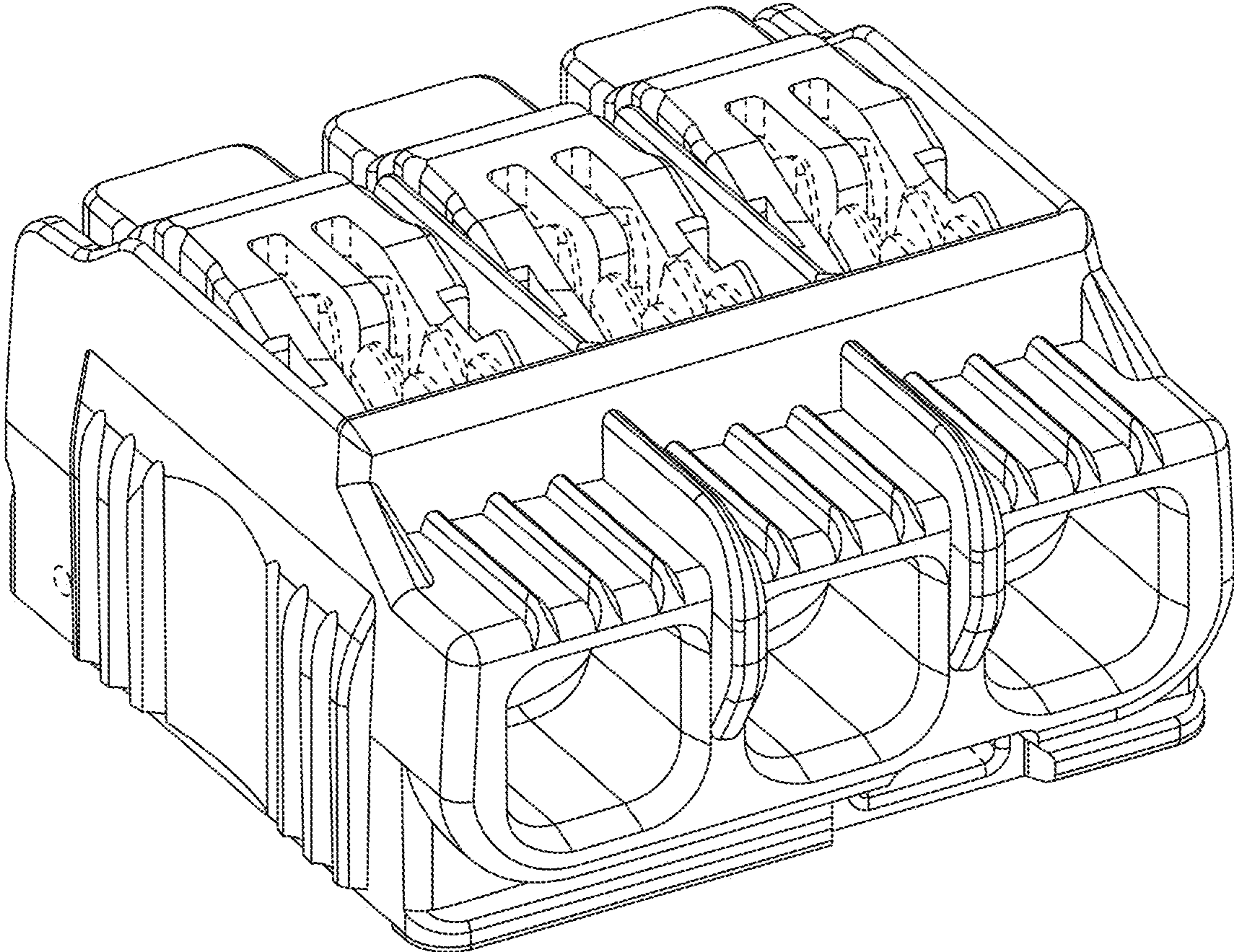


FIG. 1

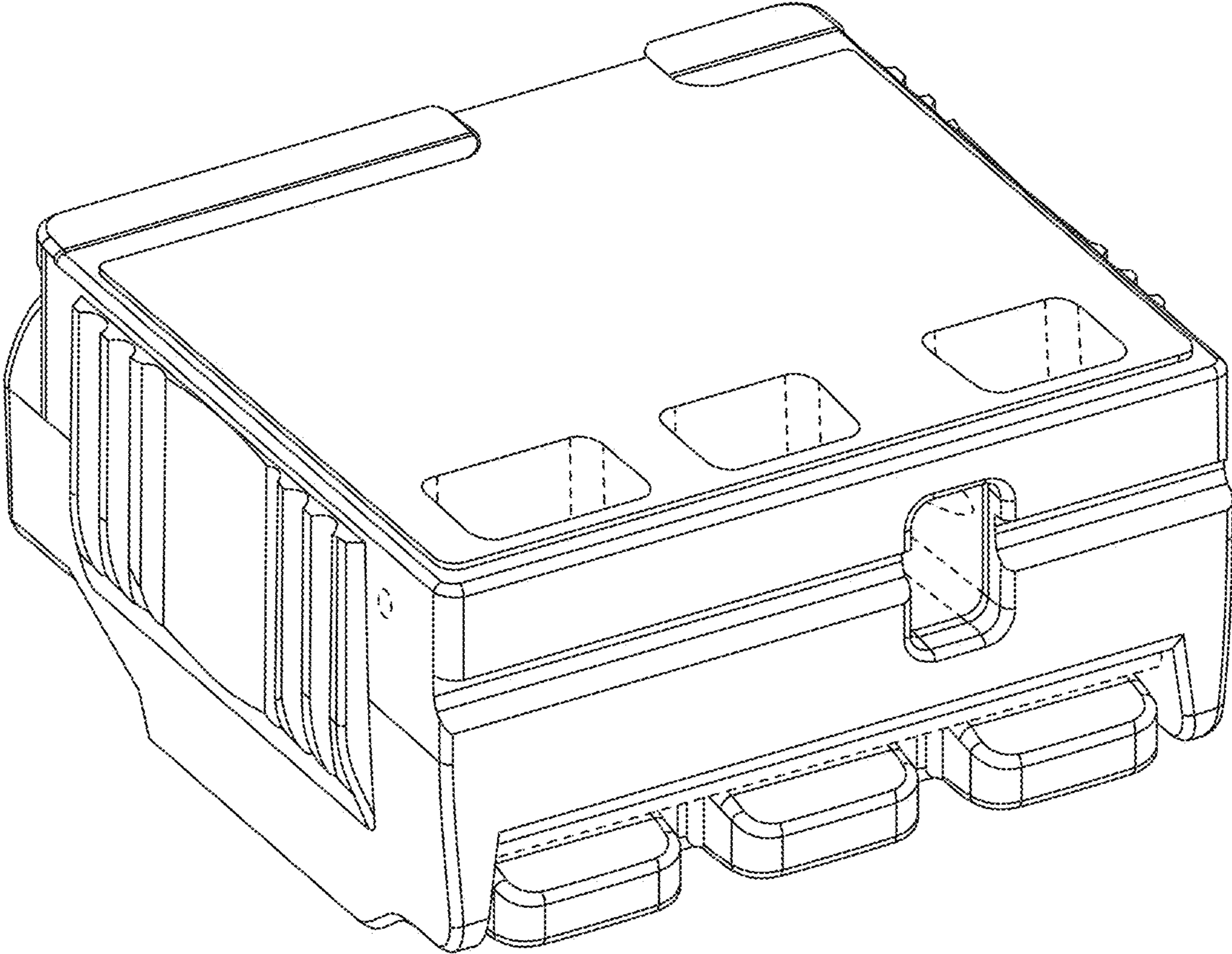


FIG. 2

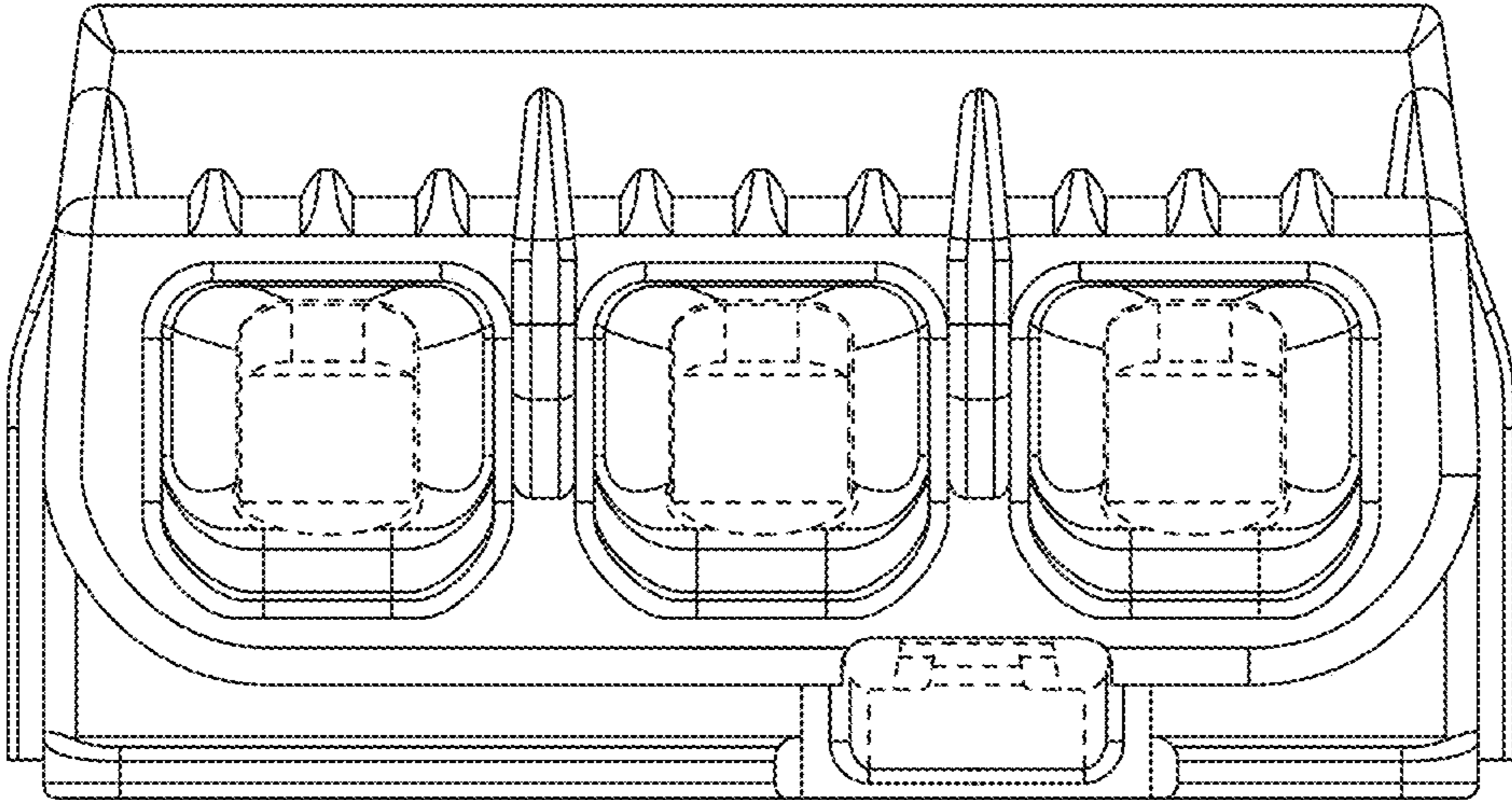


FIG. 3

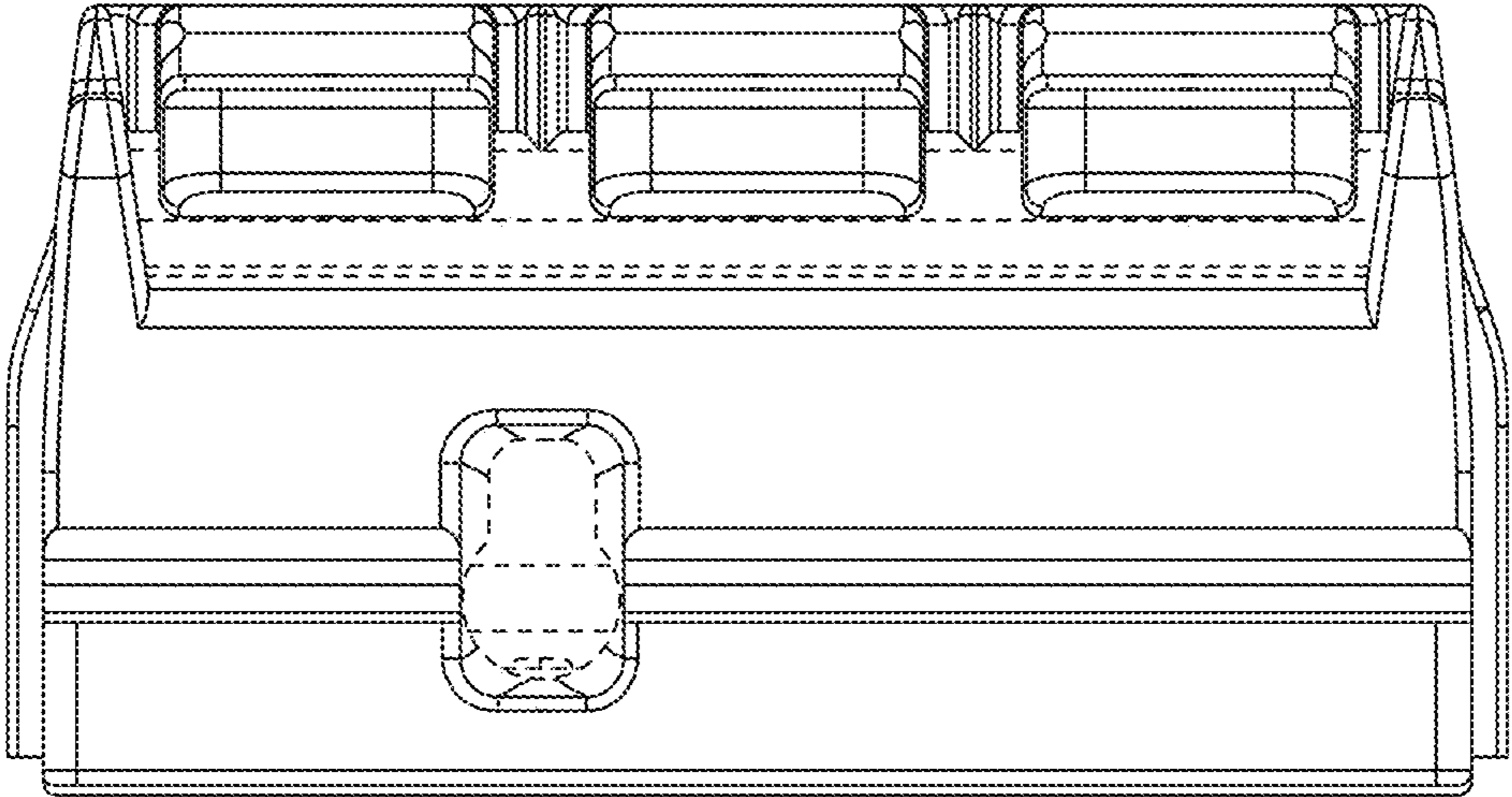


FIG. 4

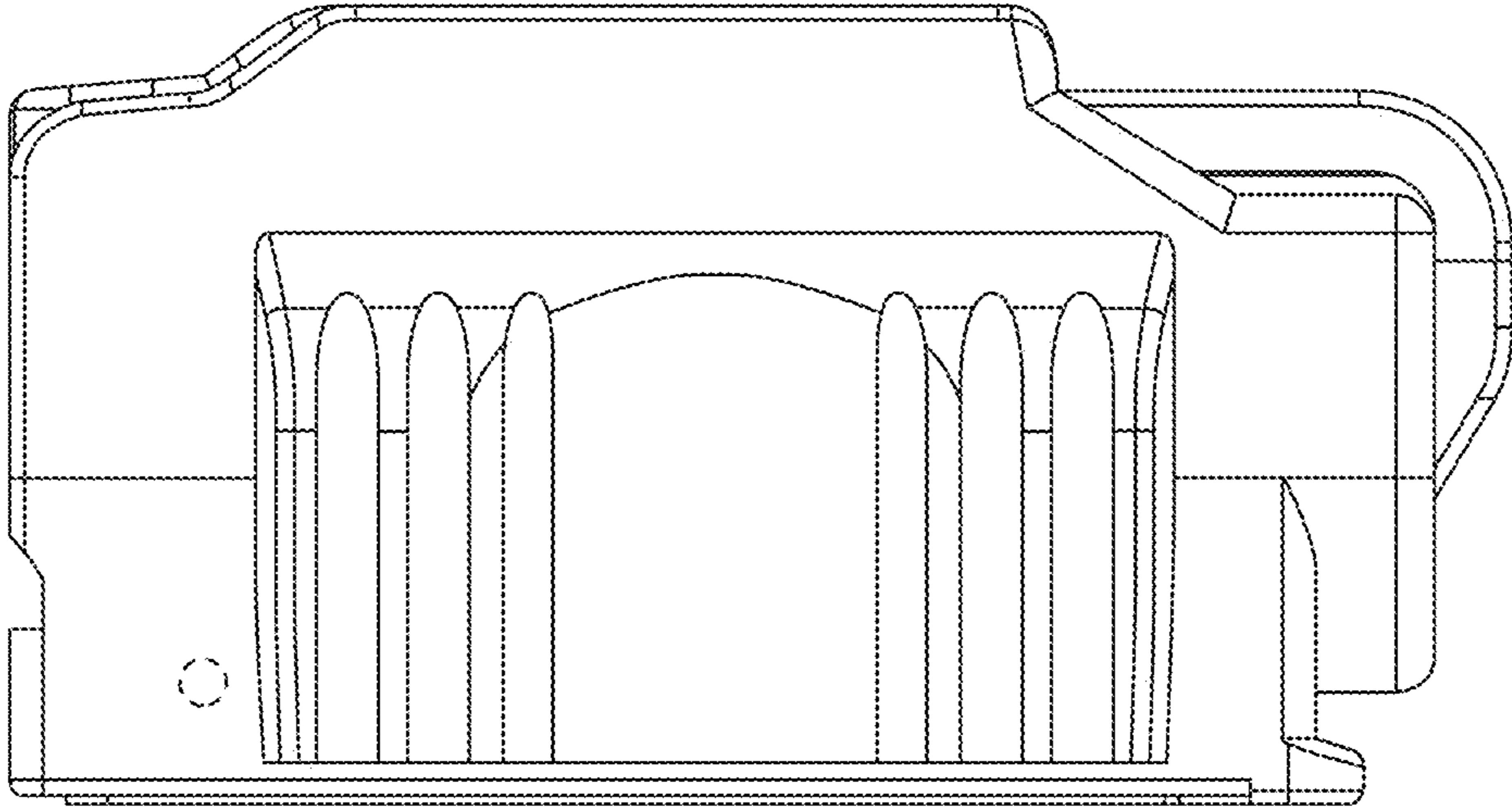


FIG. 5

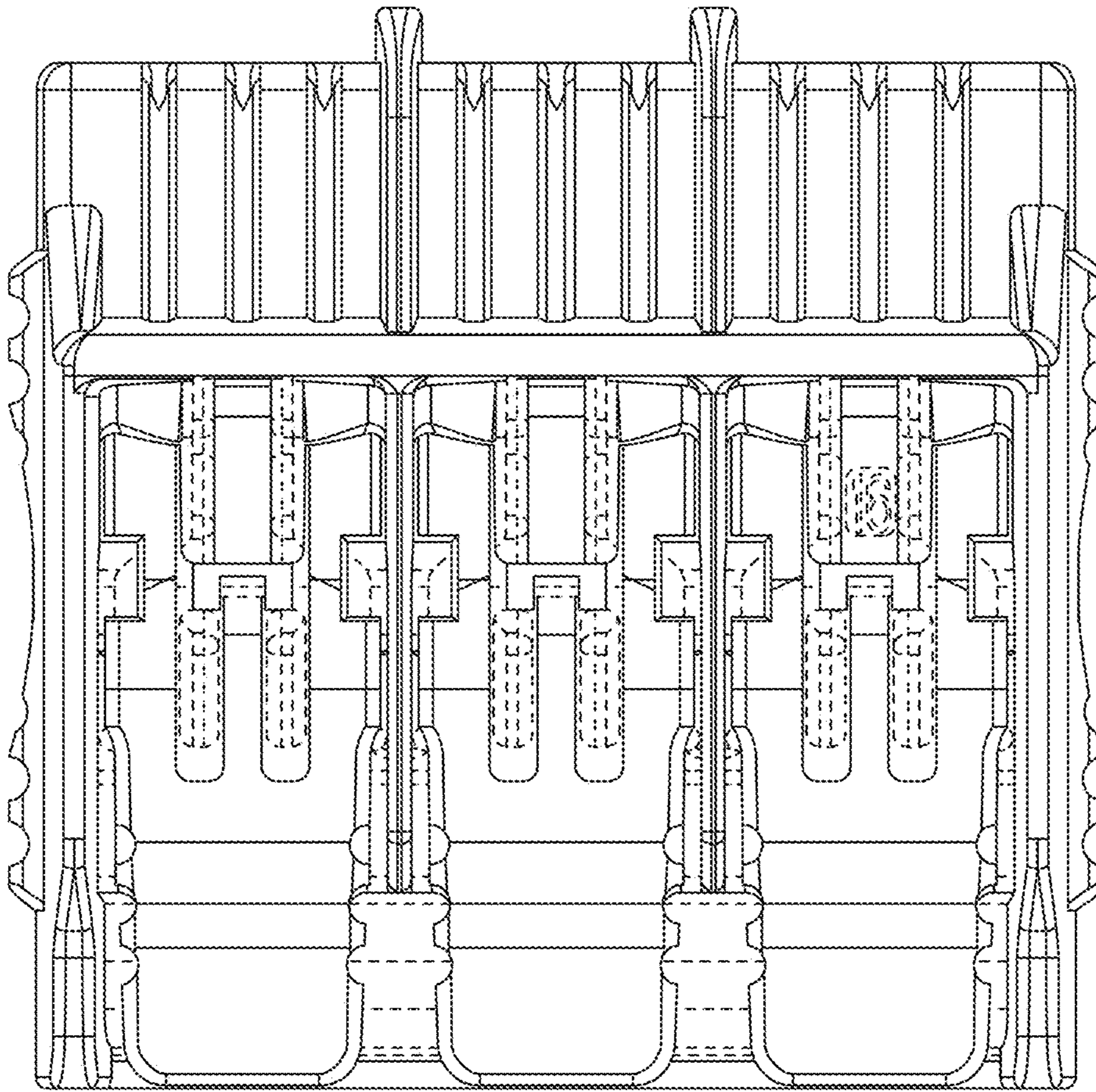


FIG. 6

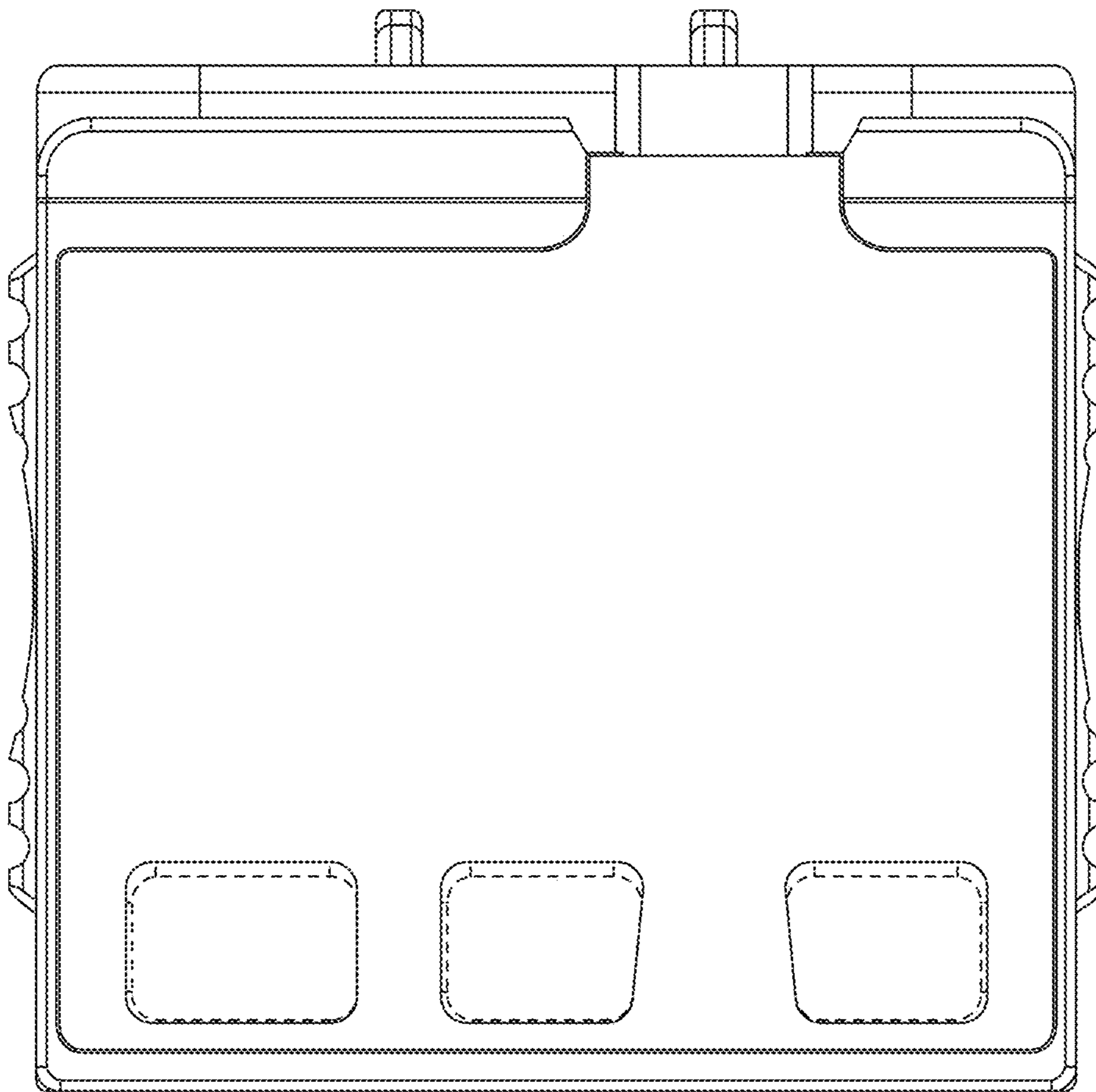


FIG. 7

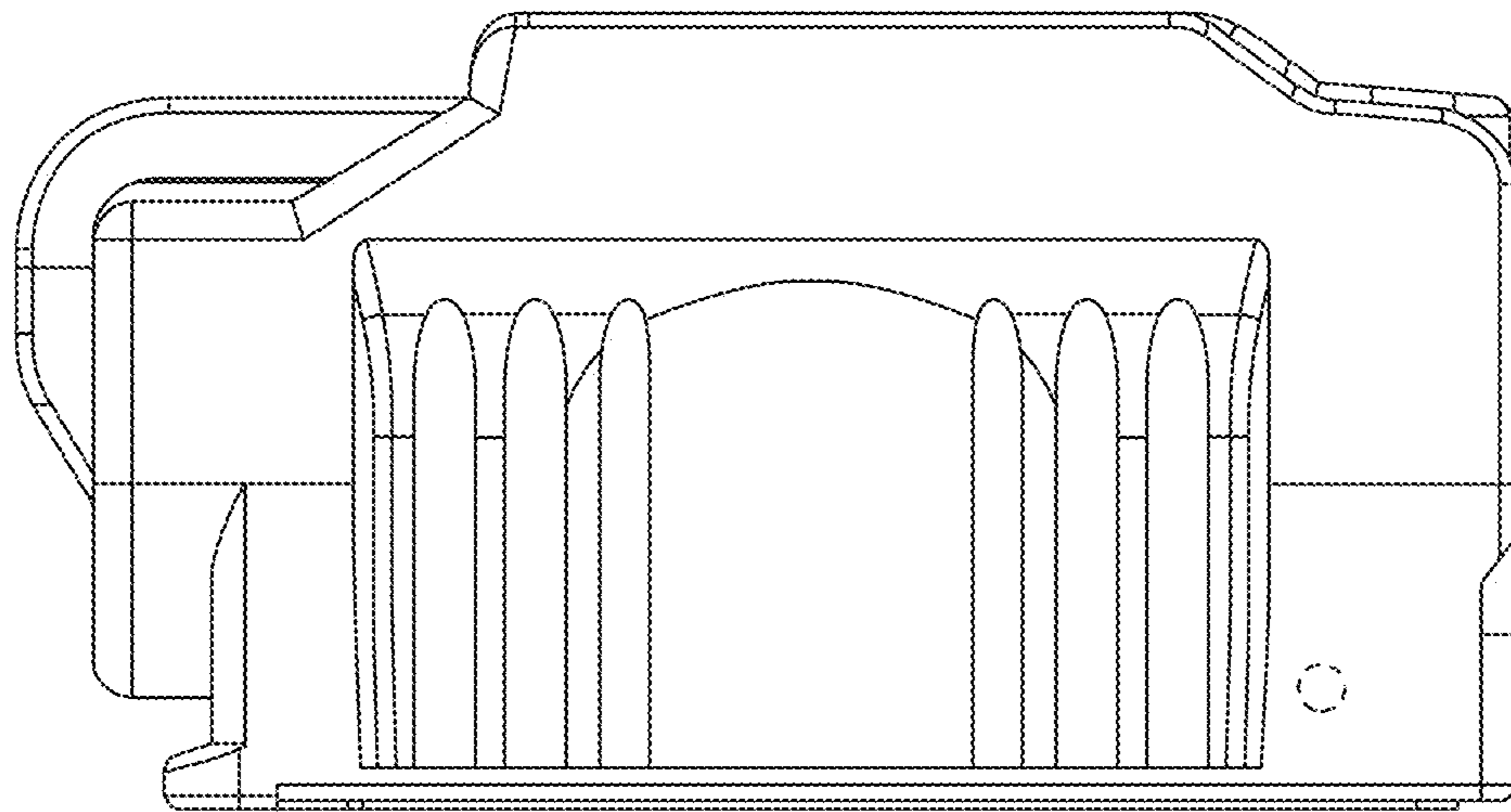


FIG. 8