



US00D988264S

(12) **United States Design Patent** (10) **Patent No.:** **US D988,264 S**
Varatharajah et al. (45) **Date of Patent:** **** Jun. 6, 2023**

(54) **BATTERY SIDE TERMINAL BUSHING**

FOREIGN PATENT DOCUMENTS

(71) Applicant: **CPS Technology Holdings LLC**, New York, NY (US)

EP 3133674 A1 * 2/2017 H01M 2/08
EP 3624232 A1 * 3/2020 H01H 33/76

(Continued)

(72) Inventors: **Arunraj Varatharajah**, Menomonee Falls, WI (US); **Vladimir Garcia Hernandez**, Glenview, WI (US)

OTHER PUBLICATIONS

(73) Assignee: **CPS Technology Holdings LLC**, New York, NY (US)

International Search Report and Written Opinion of the International Searching Authority dated Feb. 11, 2021 for PCT/US2020/058338 filed Oct. 30, 2020.

(**) Term: **15 Years**

Primary Examiner — Jennifer O King

(74) *Attorney, Agent, or Firm* — Boardman & Clark LLP

(21) Appl. No.: **29/711,687**

(57) **CLAIM**

(22) Filed: **Nov. 1, 2019**

The ornamental design for a battery side terminal bushing, as shown and described.

(51) **LOC (14) Cl.** **13-03**

(52) **U.S. Cl.**

USPC **D13/120**

(58) **Field of Classification Search**

USPC D13/103, 104, 107, 108, 110, 119, 120, D13/149, 184, 199

CPC .. H01M 220/20; H01M 10/48; H01M 50/561; H01M 50/20; B60R 16/04

See application file for complete search history.

DESCRIPTION

(56) **References Cited**

U.S. PATENT DOCUMENTS

D59,370 S * 10/1921 Moffat D13/129
3,607,441 A 9/1971 Mix
3,767,467 A 10/1973 Miller et al.
3,775,730 A 11/1973 Rowls et al.
3,928,079 A 12/1975 Jennings et al.
3,992,224 A 11/1976 Fielding
4,120,087 A 10/1978 McEwan
4,207,390 A 6/1980 Oehrlein et al.
4,237,603 A 12/1980 Crow
4,317,871 A 3/1982 Wolf et al.
4,446,214 A 5/1984 Mocas
D277,454 S 2/1985 Meinhardt

(Continued)

FIG. 1 is a top perspective view of the ornamental design of the battery side terminal bushing, showing said design with shade lines;

FIG. 2 is a bottom perspective view thereof;

FIG. 3 is a front elevation view thereof, the rear elevation view being a mirror image of the front elevation view;

FIG. 4 is a left side elevation view thereof, the right side elevation view being a mirror image of the left side elevation view;

FIG. 5 is a top view thereof;

FIG. 6 is a bottom view thereof;

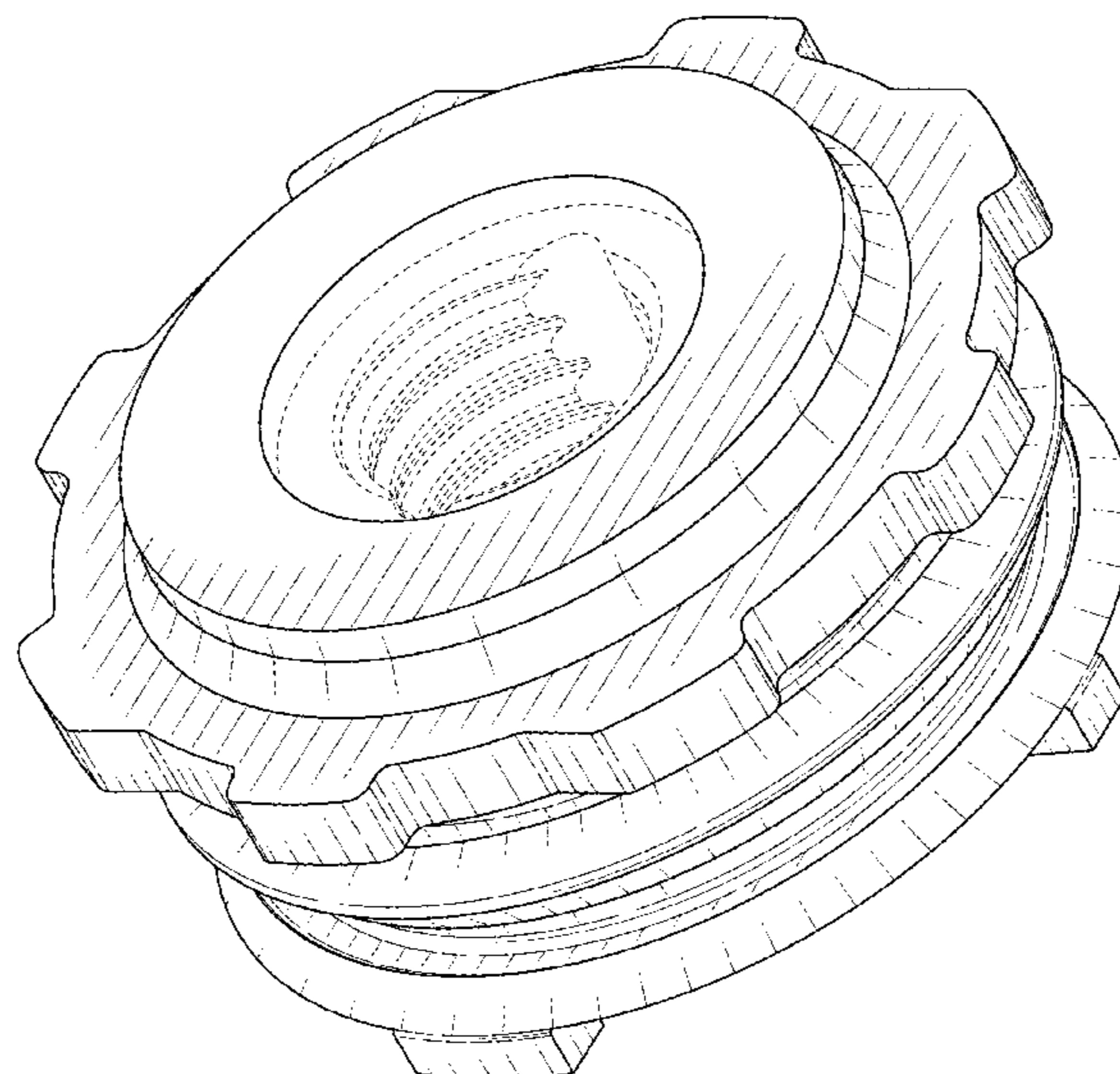
FIG. 7 is a cross-section view thereof, taken from line 7-7 of FIG. 5; and,

FIG. 8 is a cross-section view thereof, taken from line 8-8 of FIG. 5.

The broken lines shown in the drawings show portions of the battery side terminal bushing which form no part of the claimed design.

The shade lines in the Figures show contour and not surface ornamentation.

1 Claim, 6 Drawing Sheets



(56)

References Cited

U.S. PATENT DOCUMENTS

4,729,934 A 3/1988 Krystaszek
 5,159,272 A 10/1992 Rao et al.
 5,589,294 A 12/1996 Spiegelberg et al.
 5,791,183 A 8/1998 Spiegelberg et al.
 5,814,421 A 9/1998 Spiegelberg et al.
 6,258,481 B1 7/2001 Ross
 6,803,146 B2 10/2004 Key et al.
 6,982,131 B1 1/2006 Hamada et al.
 D529,441 S * 10/2006 LaPere D13/133
 D633,873 S 3/2011 Kiely
 7,985,496 B2 7/2011 Evraets et al.
 D721,652 S 1/2015 Smith
 9,099,730 B2 8/2015 Thuerk
 D749,047 S 2/2016 Smith
 D767,490 S 9/2016 Bose
 9,748,551 B2 8/2017 Cain
 10,396,473 B2 8/2019 Bellete
 D864,125 S 10/2019 Selig
 D906,255 S 12/2020 Yamaguchi

D908,096 S 1/2021 Smith
 D913,248 S 3/2021 Voelzke
 D944,203 S * 2/2022 Varatharajah D13/120
 D944,737 S * 3/2022 Varatharajah D13/120
 D956,522 S 7/2022 Smith
 2011/0014513 A1 1/2011 Lange
 2016/0043377 A1 2/2016 Heid
 2018/0076437 A1 3/2018 Goldschmidt
 2018/0090740 A1 3/2018 Cain
 2018/0175363 A1 6/2018 Heid
 2019/0223498 A1 7/2019 Ouyang
 2019/0267600 A1 * 8/2019 Robert H01M 50/502
 2020/0243832 A1 * 7/2020 Chandler H01M 50/172
 2020/0328398 A1 10/2020 Wiegmann
 2021/0005870 A1 * 1/2021 Koop H01M 10/06

FOREIGN PATENT DOCUMENTS

JP 2014007076 A * 1/2014
 WO 2009/142621 A1 11/2009
 WO WO-2021087346 A1 * 5/2021 H01M 10/06

* cited by examiner

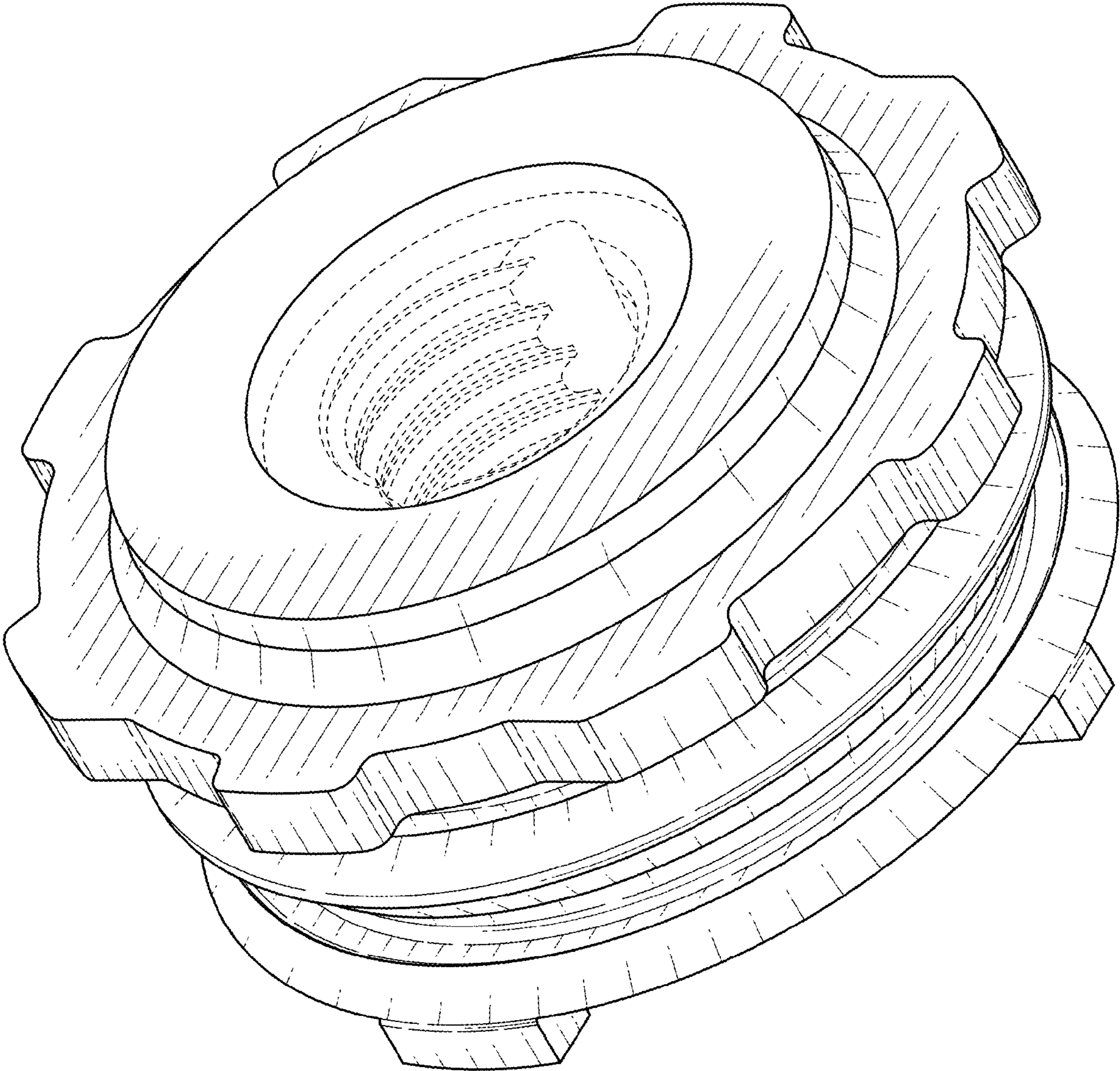


FIG. 1

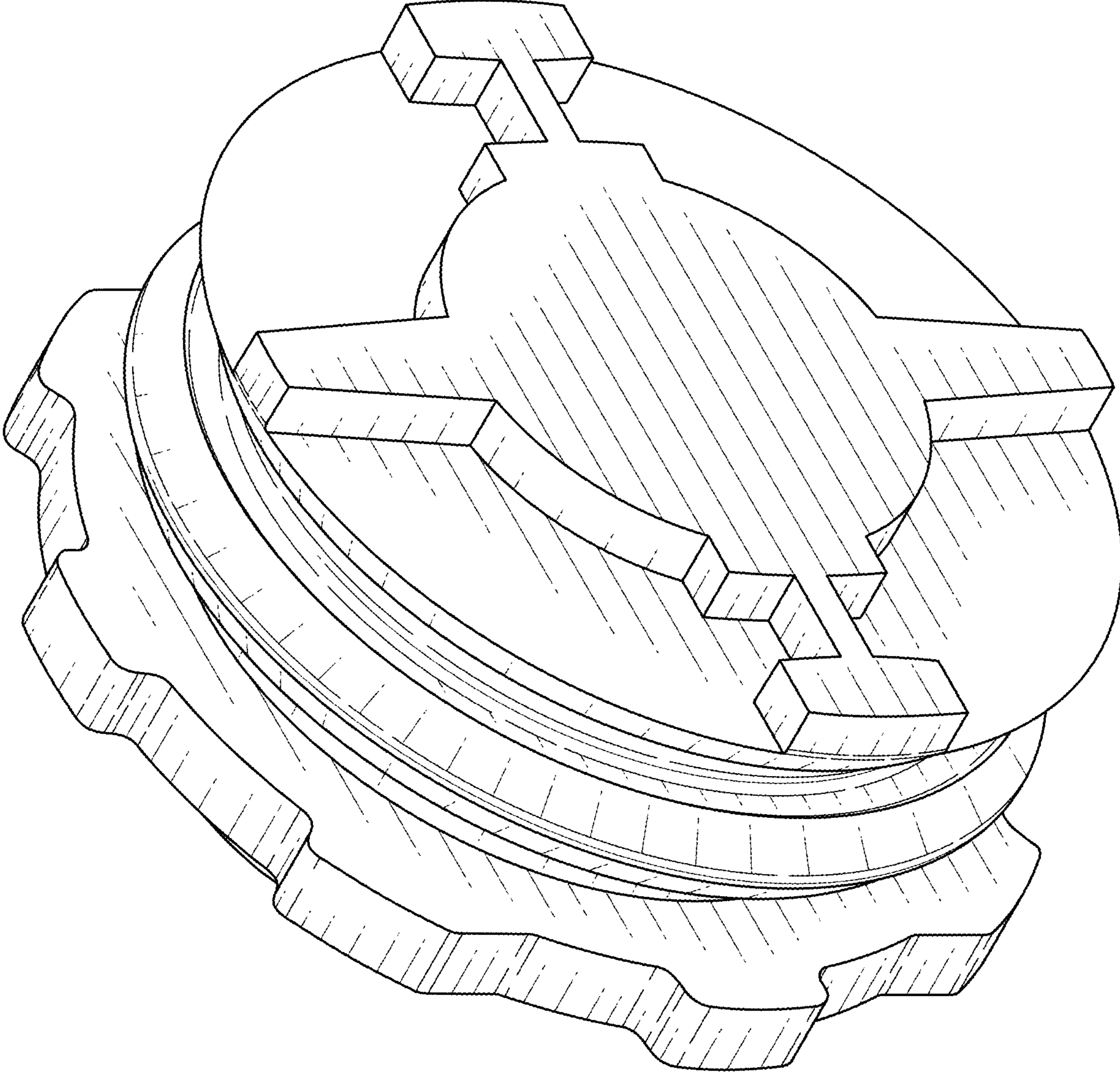


FIG. 2

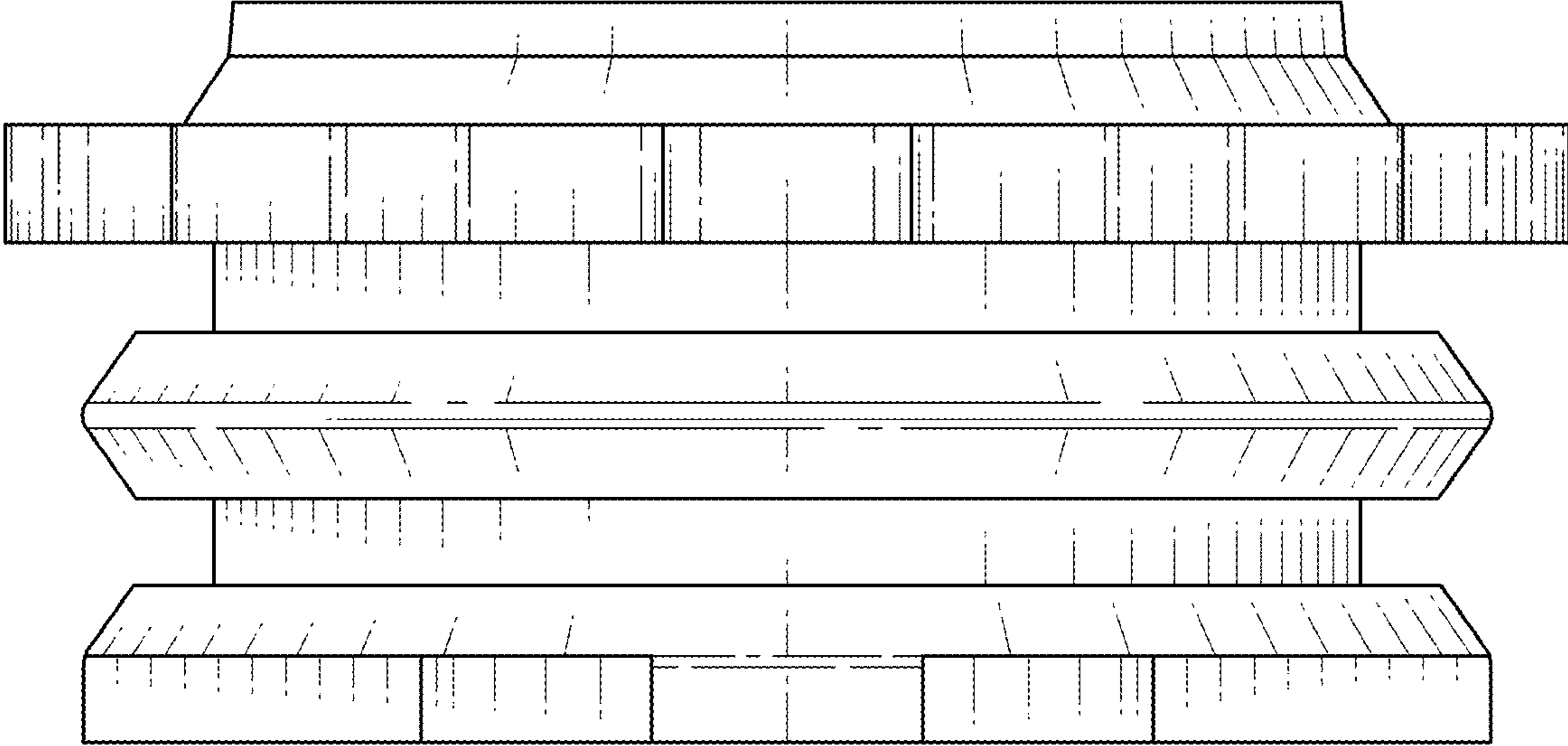


FIG. 3

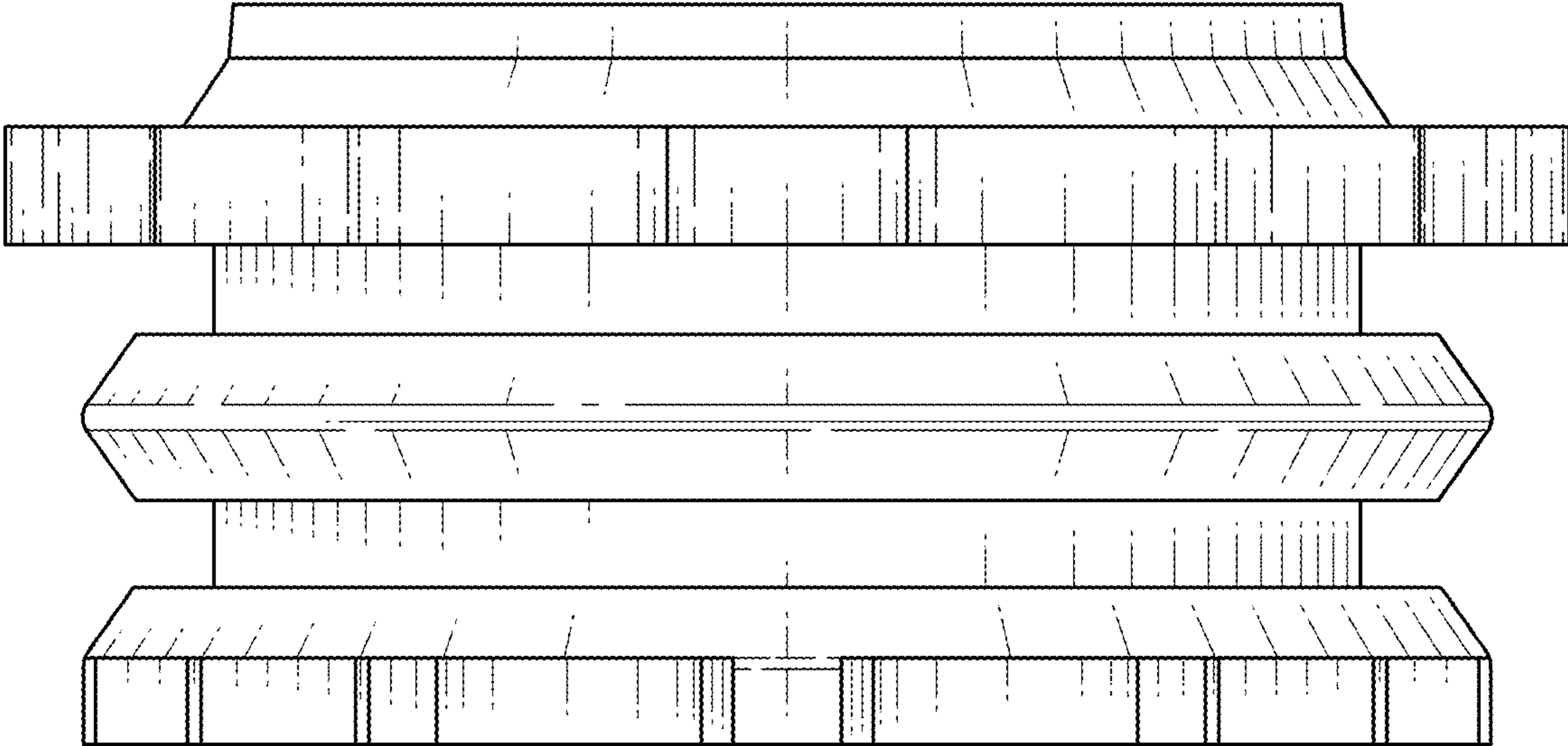


FIG. 4

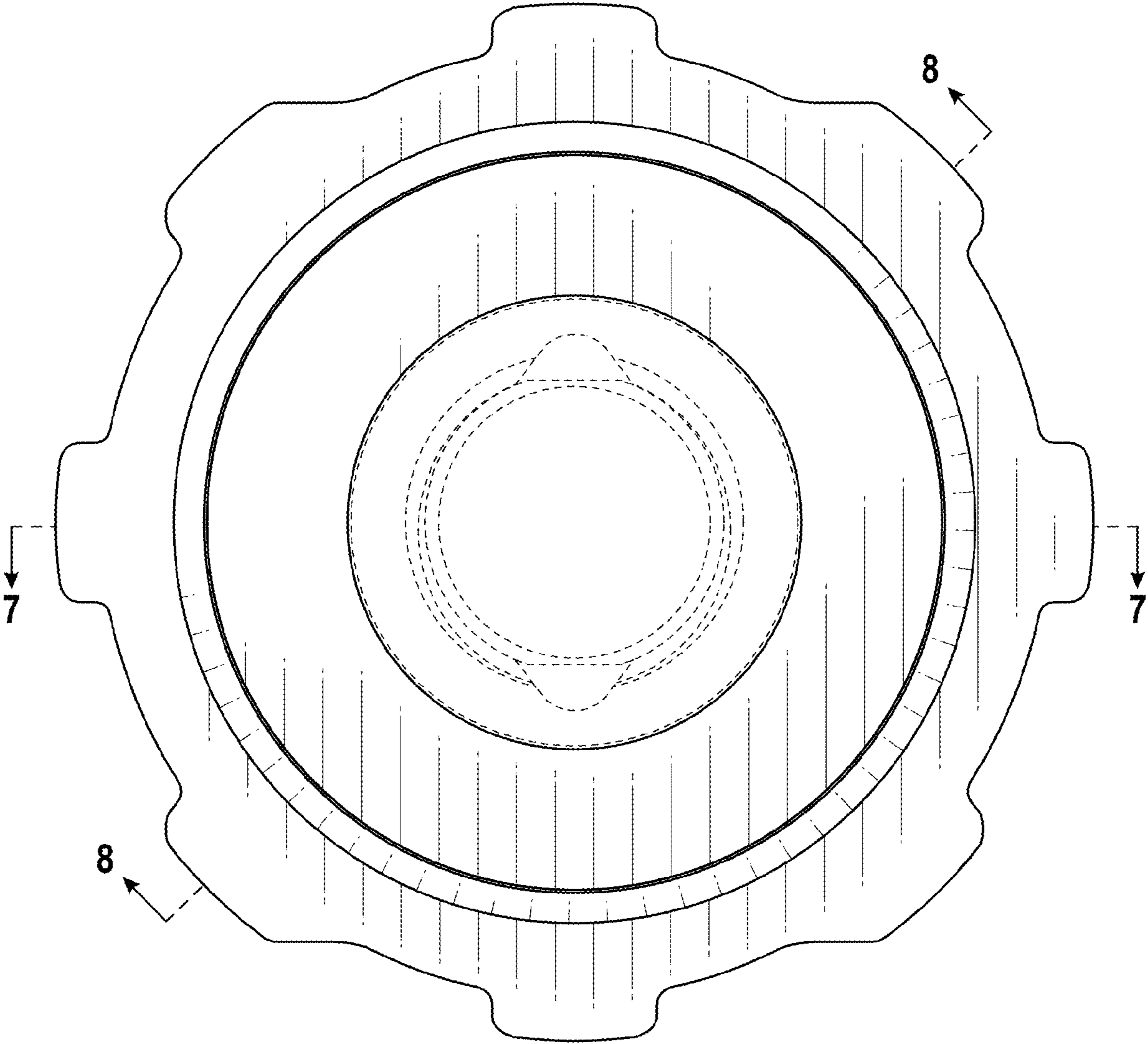


FIG. 5

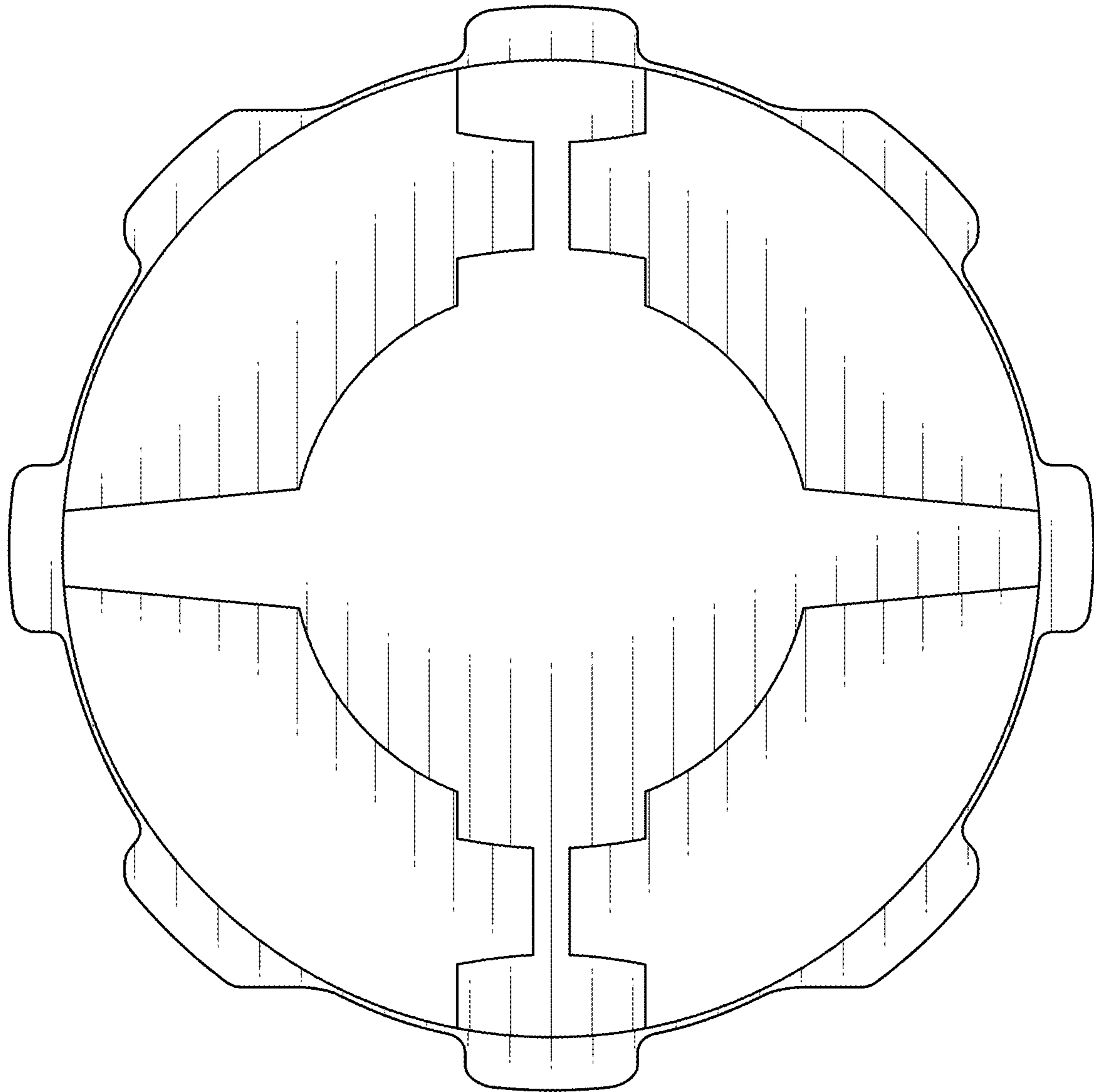


FIG. 6

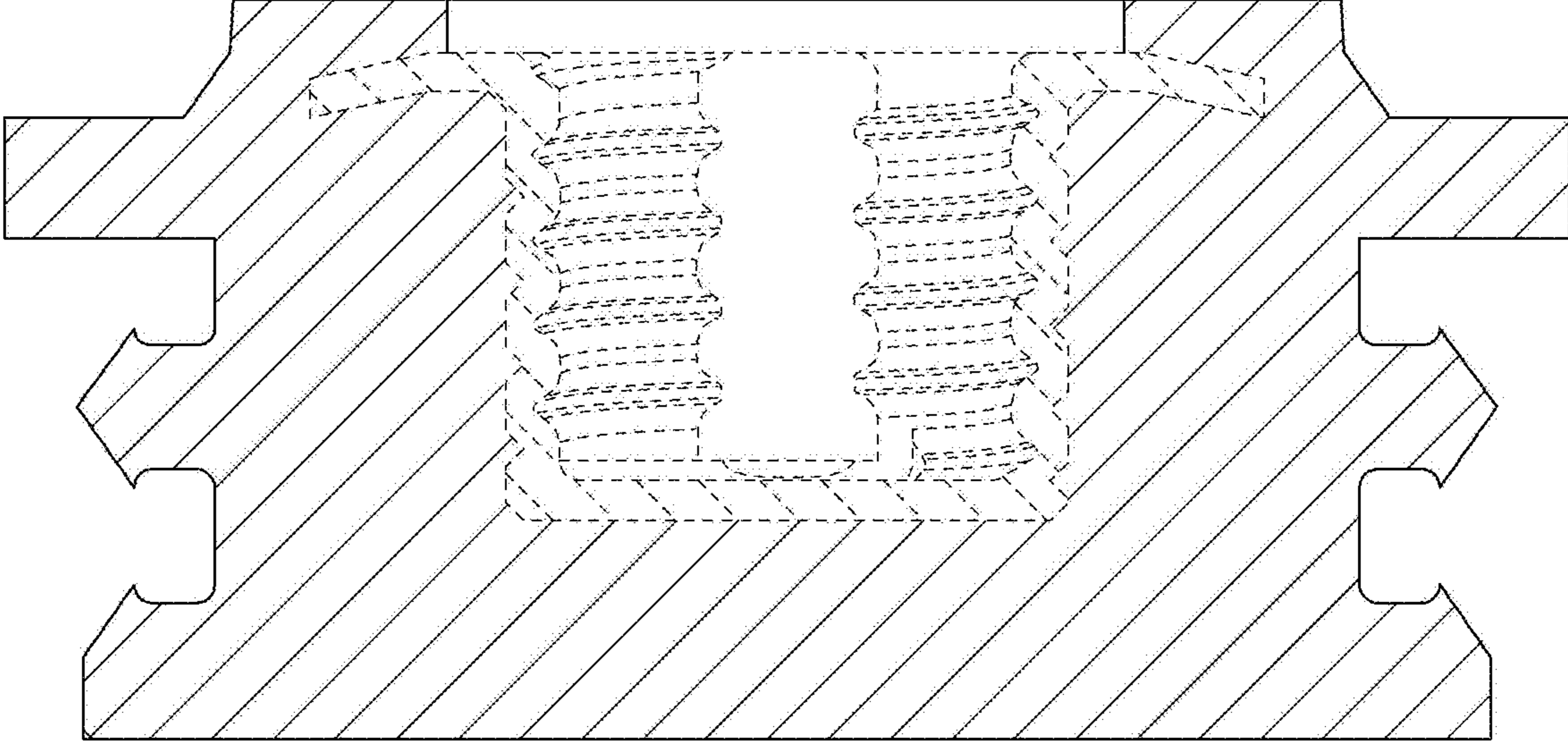


FIG. 7

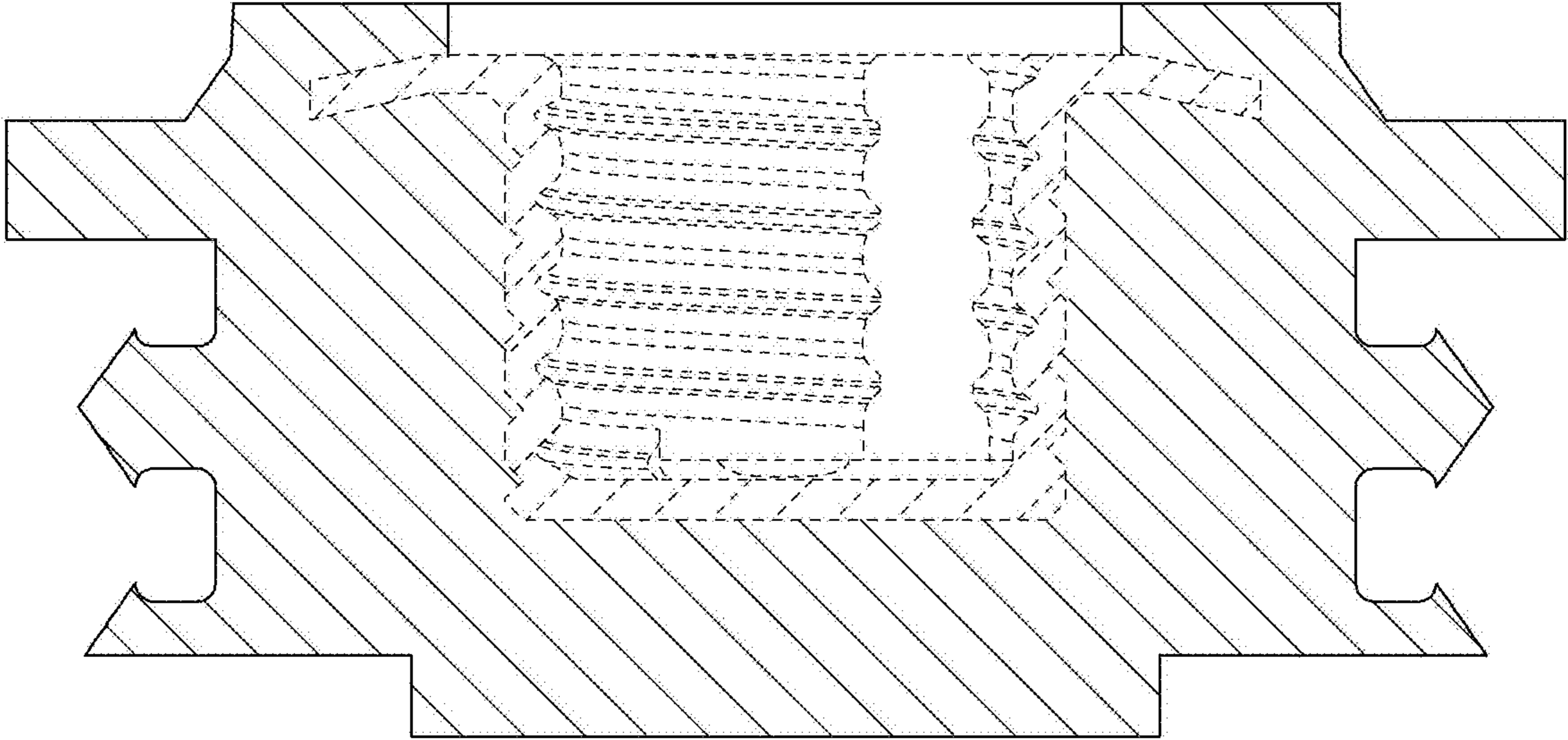


FIG. 8