



US00D988263S

(12) **United States Design Patent**
Schmid et al.

(10) **Patent No.:** **US D988,263 S**

(45) **Date of Patent:** **** Jun. 6, 2023**

(54) **CASING FOR MOTOR**
(71) Applicant: **Nidec Motors & Actuators (Germany) GmbH**, Bietigheim-Bissingen (DE)
(72) Inventors: **Jürgen Schmid**, Brackenheim (DE); **Thomas Kübler**, Untergruppenbach (DE); **Matthias Fischer**, Bietigheim-Bissingen (DE)

D397,992 S * 9/1998 Shimomura D13/112
D409,564 S * 5/1999 Koshida D13/112
D597,943 S * 8/2009 Lin D13/112
D602,866 S * 10/2009 Harada D13/122
D603,795 S * 11/2009 Kono D13/122
D628,154 S * 11/2010 Veeh D13/112
D707,257 S * 6/2014 Song D15/5
D710,801 S * 8/2014 Tanaka D13/112
D823,251 S * 7/2018 Battistella D13/112
D919,573 S * 5/2021 Wersland D13/112

(73) Assignee: **NIDEC MOTORS & ACTUATORS (GERMANY) GMBH**, Bietigheim-Bissingen (DE)

* cited by examiner

Primary Examiner — Derrick E Holland

(74) *Attorney, Agent, or Firm* — Keating & Bennett

(**) Term: **15 Years**

(21) Appl. No.: **29/799,537**

(22) Filed: **Jul. 15, 2021**

(51) **LOC (14) Cl.** **13-01**

(52) **U.S. Cl.**
USPC **D13/112**

(58) **Field of Classification Search**
USPC D13/112, 113, 114, 122, 199; D15/3, 5, D15/199

CPC .. H02K 5/04; H02K 5/10; H02K 5/22; H02K 5/148; H02K 29/14; H02P 6/06; F28F 1/20

See application file for complete search history.

(56) **References Cited**

U.S. PATENT DOCUMENTS

D301,454 S * 6/1989 Hara D13/112
D306,009 S * 2/1990 Mintz D13/112

(57) **CLAIM**

The ornamental design for casing for motor, as shown and described.

DESCRIPTION

The patent or application file contains at least one drawing executed in color. Copies of this patent or patent application publication with color drawing(s) will be provided by the Office upon request and payment of the necessary fee.

FIG. 1 is a perspective view of a casing for a motor showing our new design;

FIG. 2 is a top view thereof;

FIG. 3 is a side view thereof; and,

FIG. 4 is a bottom view thereof.

The rear, left, and right side views of the casing are identical to the front side view.

1 Claim, 4 Drawing Sheets
(4 of 4 Drawing Sheet(s) Filed in Color)

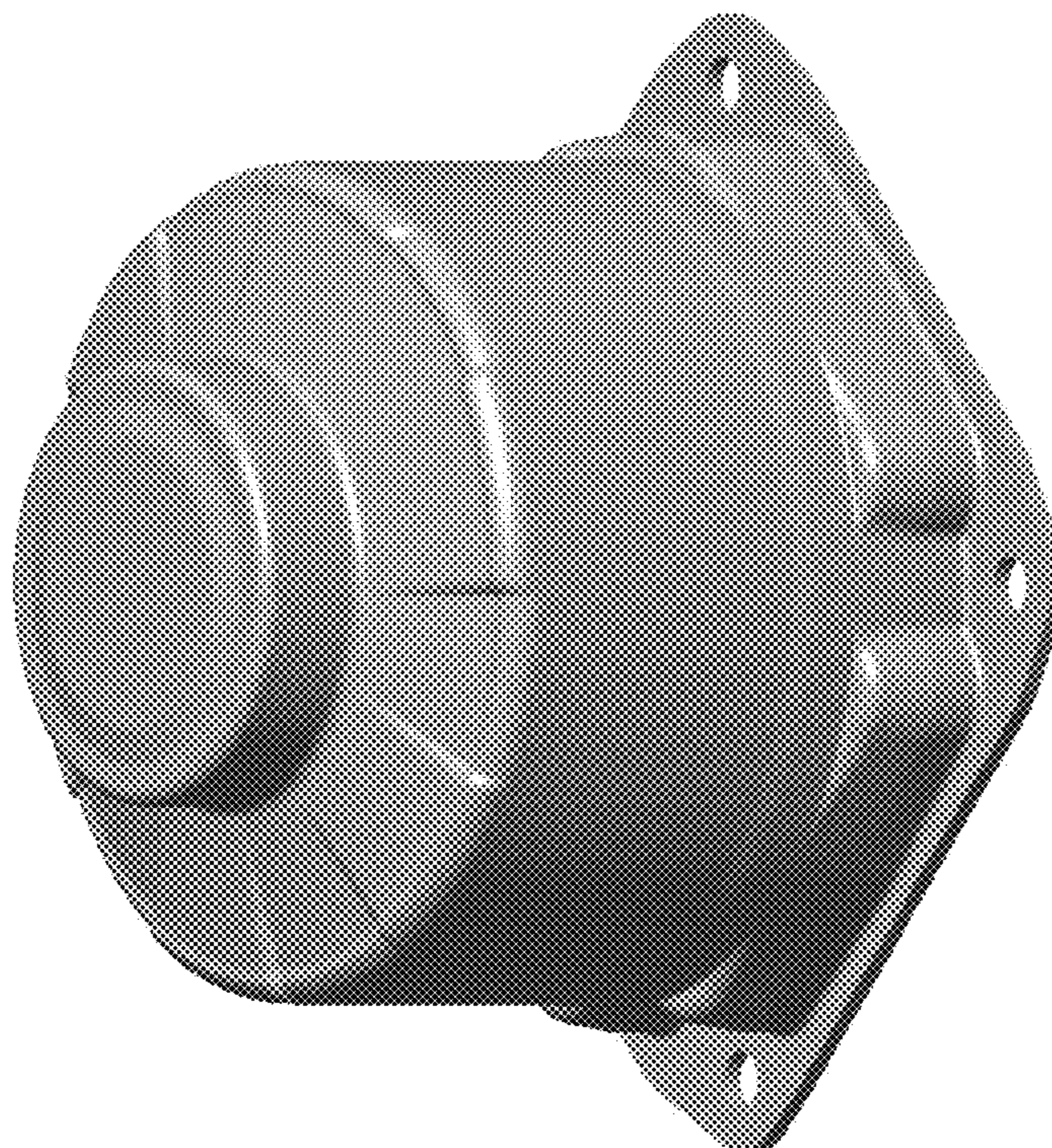


Fig. 1

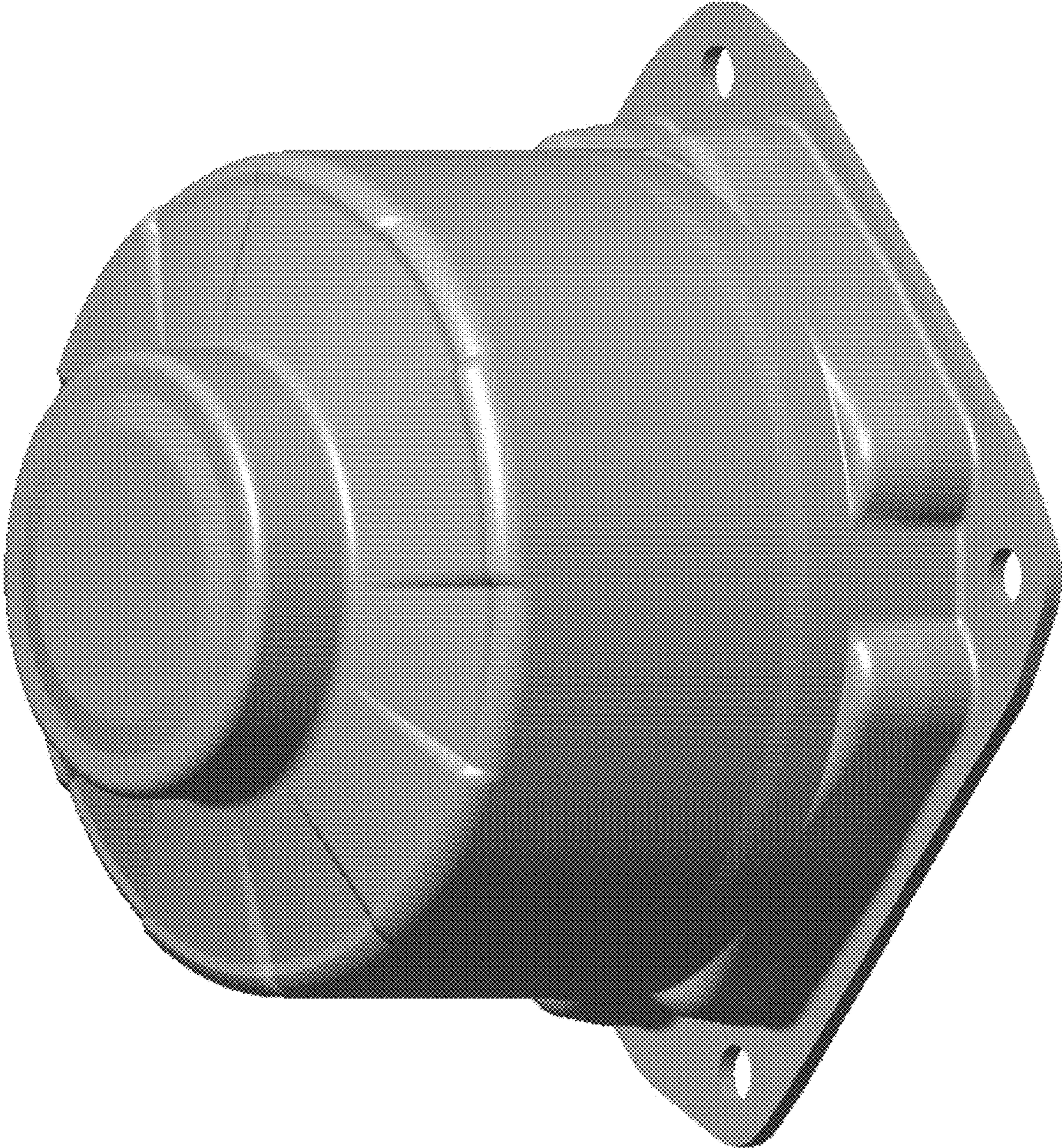


Fig. 2

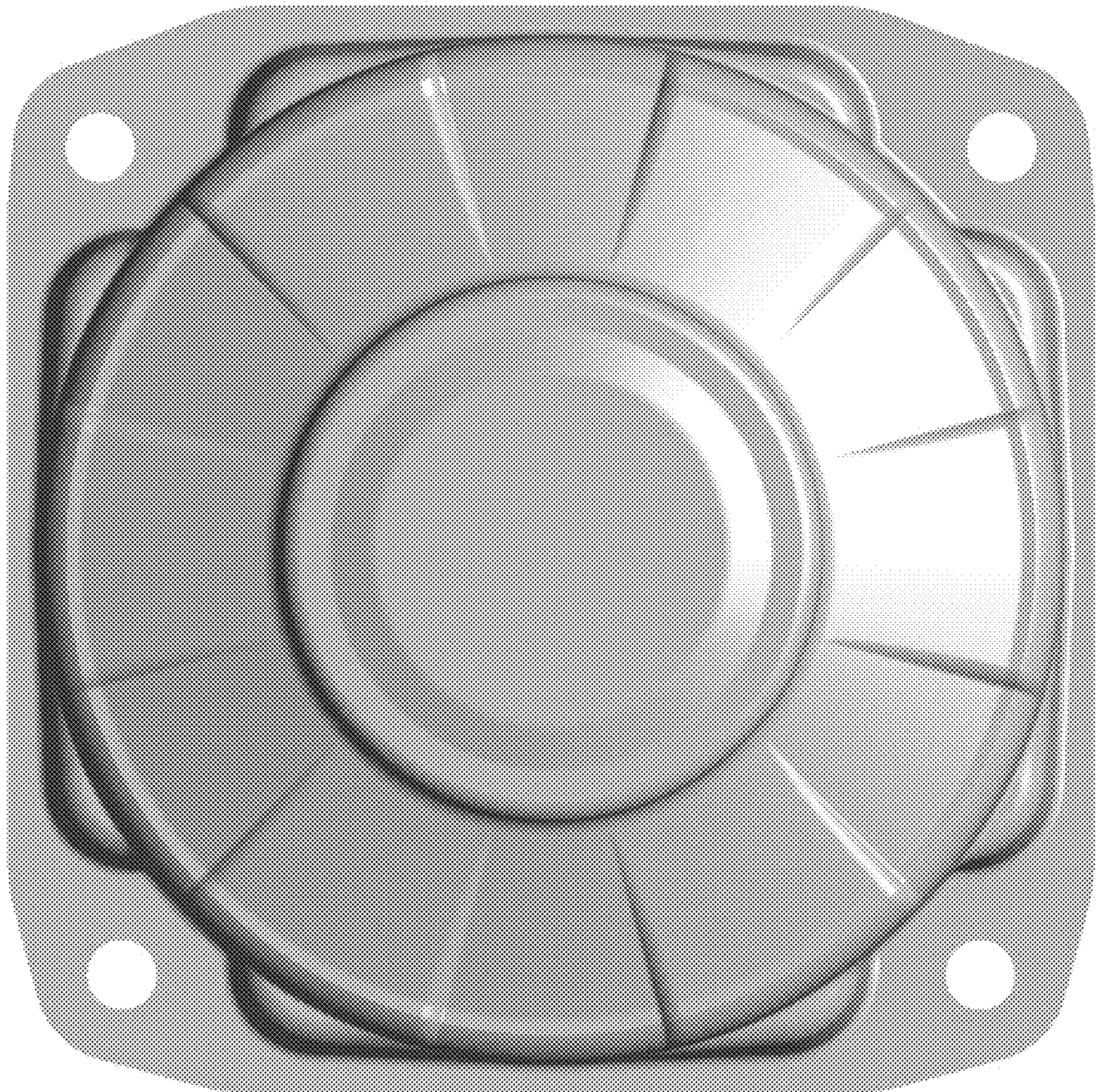


Fig. 3

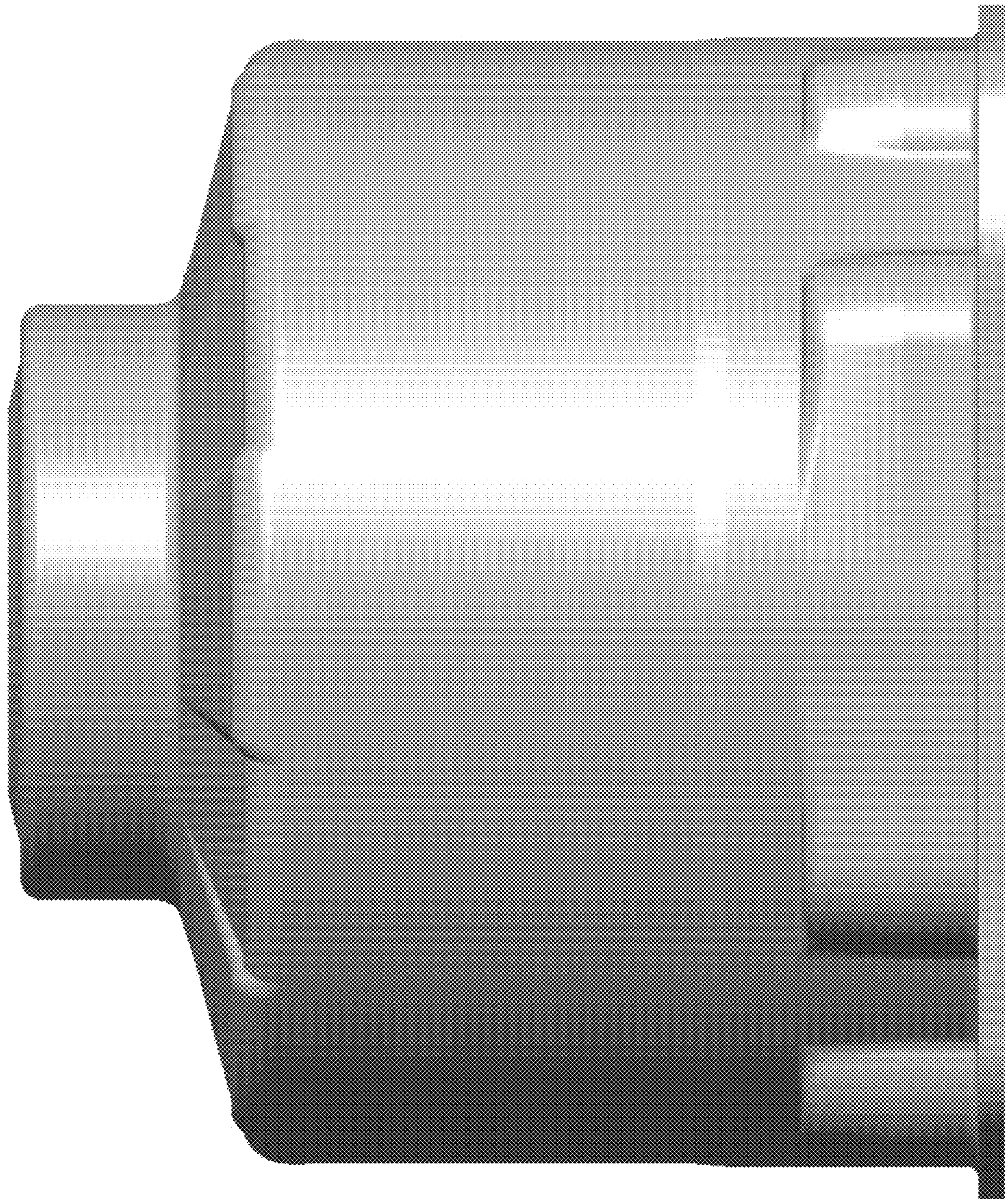


Fig. 4

