



US00D988261S

(12) **United States Design Patent**
Wang et al.

(10) **Patent No.: US D988,261 S**
(45) **Date of Patent: ** Jun. 6, 2023**

(54) **POWER SUPPLY UNIT**

(71) Applicant: **EcoFlow Inc.**, Shenzhen (CN)
(72) Inventors: **Lei Wang**, Shenzhen (CN); **Haibin Zheng**, Shenzhen (CN)
(**) Term: **15 Years**

(21) Appl. No.: **35/512,402**

(22) Filed: **Jul. 9, 2021**

(80) **Hague Agreement Data**

Int. Filing Date: **Jul. 9, 2021**
Int. Reg. No.: **DM/215751**
Int. Reg. Date: **Jul. 9, 2021**
Int. Reg. Pub. Date: **Aug. 20, 2021**

(30) **Foreign Application Priority Data**

Feb. 8, 2021 (CN) 202130091484.6

(51) **LOC (14) Cl.** **13-02**

(52) **U.S. Cl.**
USPC **D13/110**

(58) **Field of Classification Search**

USPC D13/102, 103, 106–108, 110, 112, 114,
D13/116, 118–119, 184, 199
CPC H02J 7/0042; H02J 7/0044; H02J 7/0045;
H02J 7/0047; H02J 7/0003; H02J
7/00047; H02J 7/0013; H02J 7/0027;
H02J 1/122; H02J 7/00; B60R 16/033;
H01M 10/44; H01M 10/46
See application file for complete search history.

(56) **References Cited**

U.S. PATENT DOCUMENTS

D823,797 S * 7/2018 Krantz D13/110
D837,149 S * 1/2019 Yin D13/103

(Continued)

OTHER PUBLICATIONS

“EF Ecoflow Portable Power Station Delta, UPS Power Supply 1260Wh Battery Pack with 6 1800W (3300W Surge) AC Outlets, Solar Battery Generator for Outdoor Camping RV”, Amazon.com, retrieved from the internet on Aug. 18, 2022. <<https://www.amazon.com/EF-ECOFLOW-Portable-Station-Generator/dp/B083FR3762/>>. (Year: 2022).*

Primary Examiner — Rosemary K Tarcza

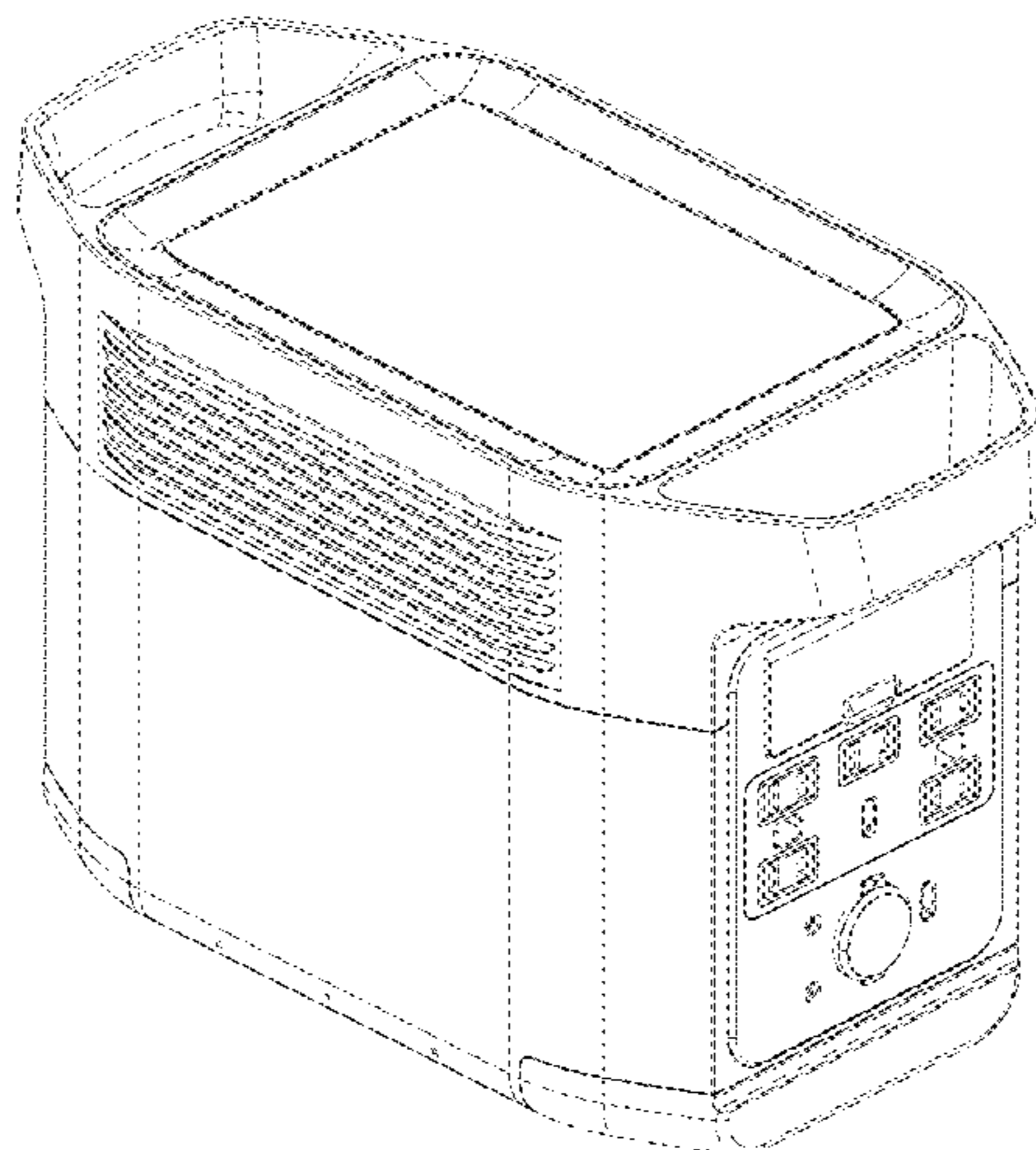
(57) **CLAIM**

The ornamental design for a power supply unit, as shown and described.

DESCRIPTION

1. Power supply unit
1.1 : Front
1.2 : Back
1.3 : Left
1.4 : Right
1.5 : Top
1.6 : Bottom
1.7 : Perspective
1.8 : Perspective
1.9 : Perspective
1.10 : Perspective
1.11 : Usage state reference view
1.12 : Usage state reference view
1.13 : Usage state reference view
Reproduction 1.1: front view of design 1; Reproduction 1.2: back view thereof; Reproduction 1.3: left view thereof; Reproduction 1.4: right view thereof; Reproduction 1.5: top view thereof; Reproduction 1.6: bottom view thereof; Reproduction 1.7: perspective view (front, top, right side) thereof; Reproduction 1.8: perspective view (back, bottom, left side) thereof; Reproduction 1.9: perspective view (back, top, left side) thereof; Reproduction 1.10: perspective view (front, bottom, right side) thereof; Reproduction 1.11: usage state reference view (right side) thereof; Reproduction 1.12:

(Continued)



usage state reference view (front, top, right side) thereof;
Reproduction 1.13: usage state reference view (front, bottom, right side) thereof.

1 Claim, 13 Drawing Sheets

(56)

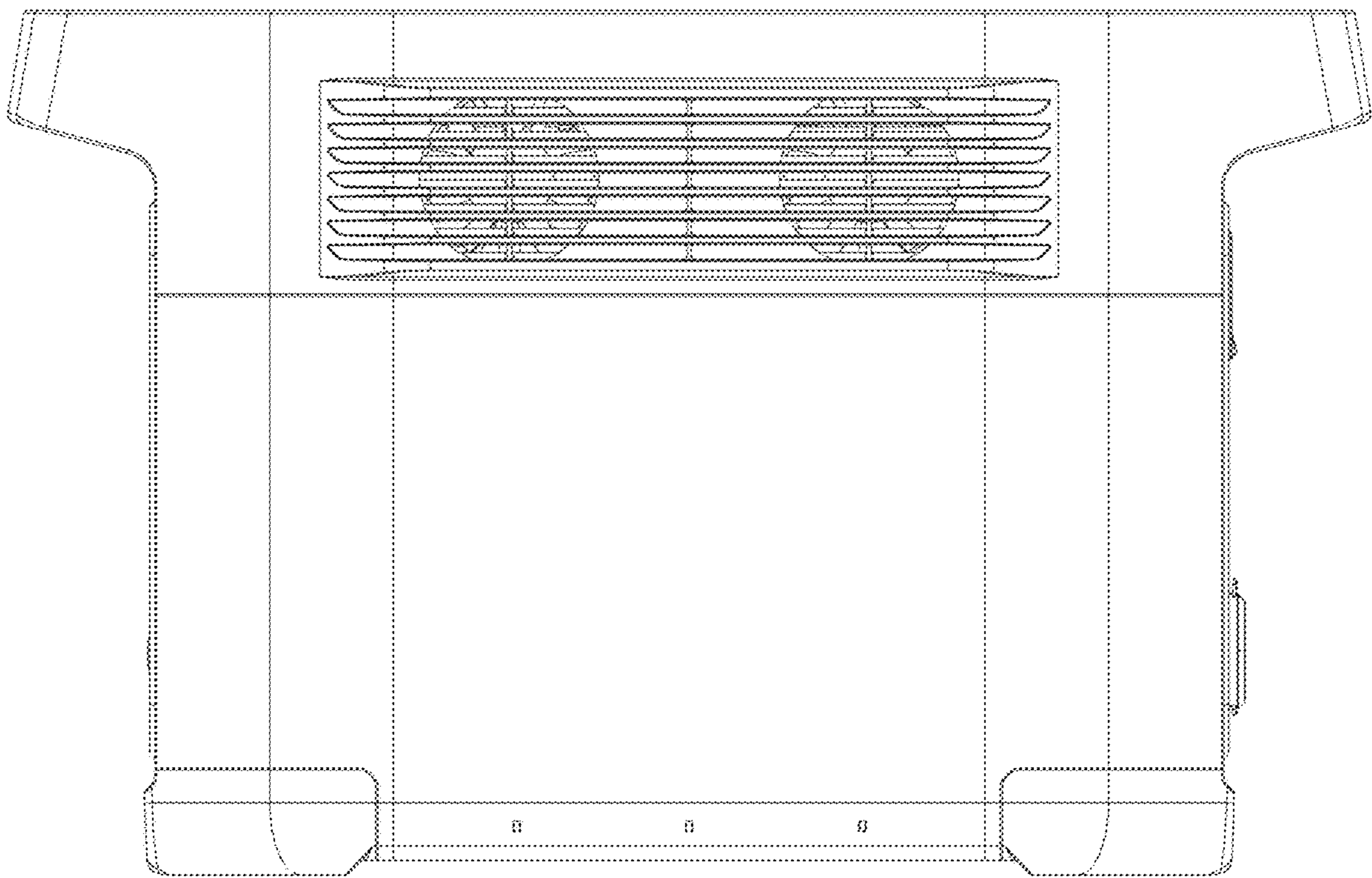
References Cited

U.S. PATENT DOCUMENTS

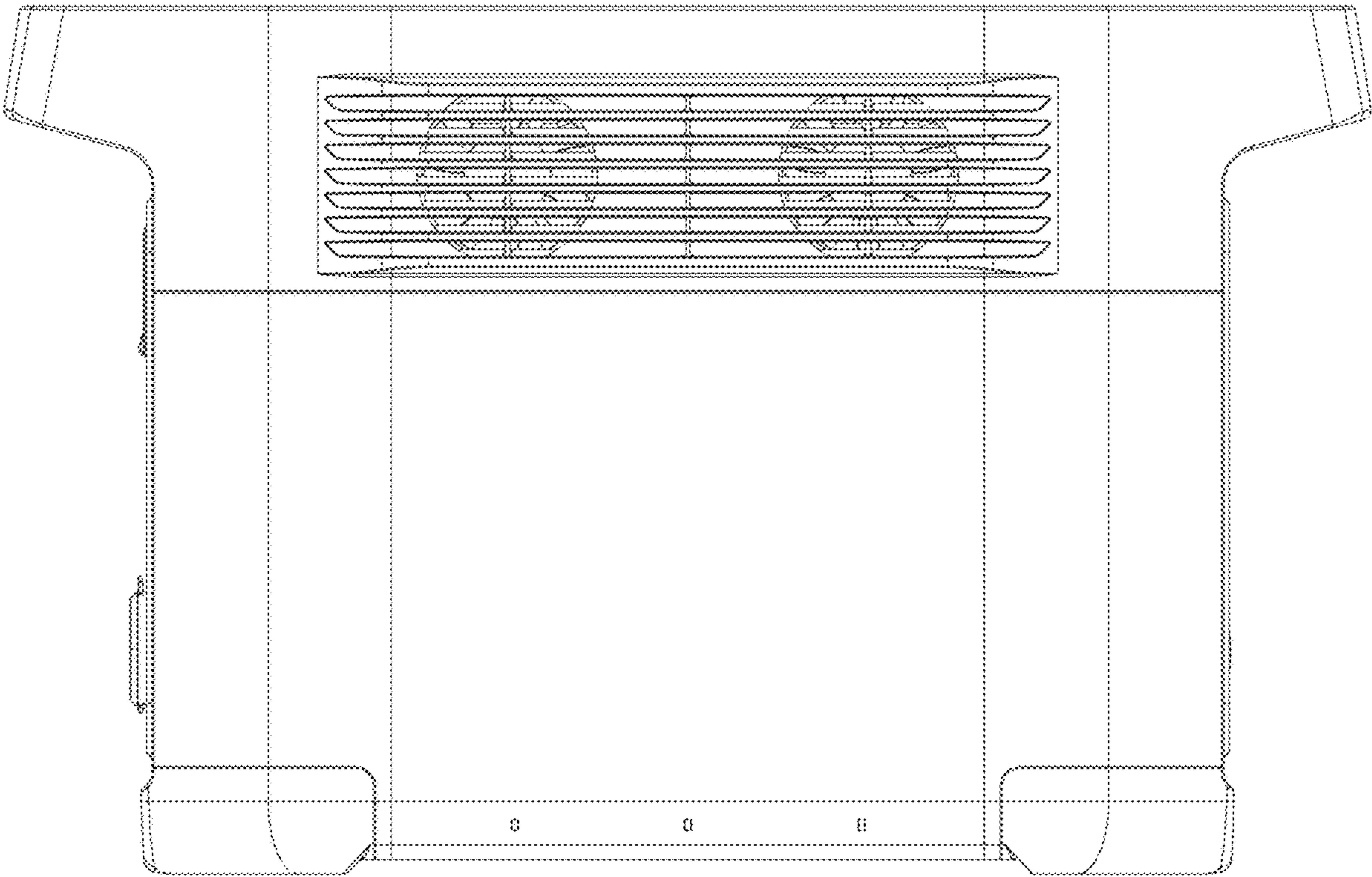
D874,395	S	*	2/2020	Sun	D13/106
D886,047	S	*	6/2020	Hung	D13/103
D902,857	S	*	11/2020	Jia	D13/110
D930,571	S	*	9/2021	Zhong	D13/102
D948,434	S	*	4/2022	Chen	D13/110
D949,098	S	*	4/2022	Wang	D13/116
D950,484	S	*	5/2022	Tan	D13/107
D955,329	S	*	6/2022	Yu	D13/103
D959,365	S	*	8/2022	Sun	D13/103

* cited by examiner

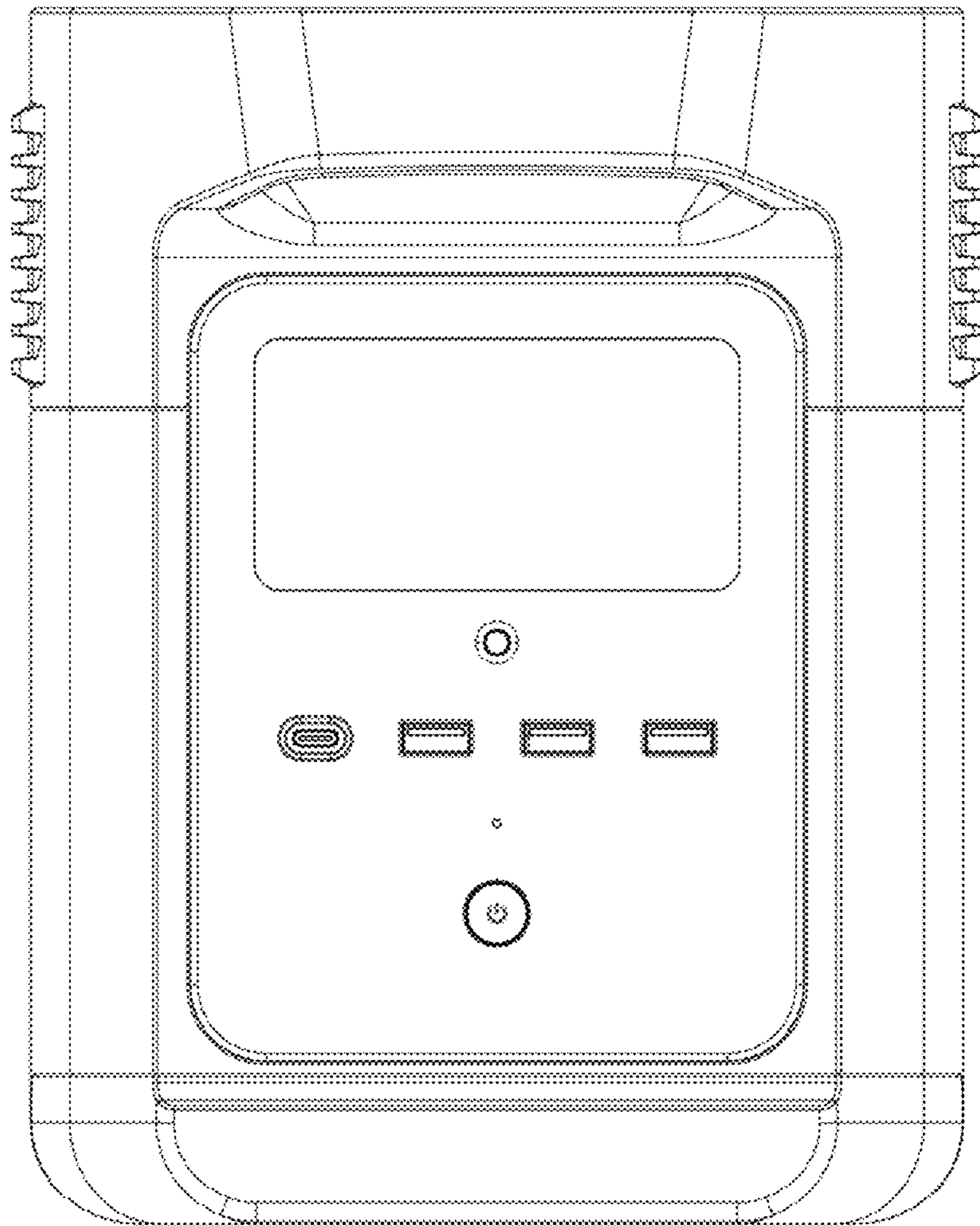
1.1



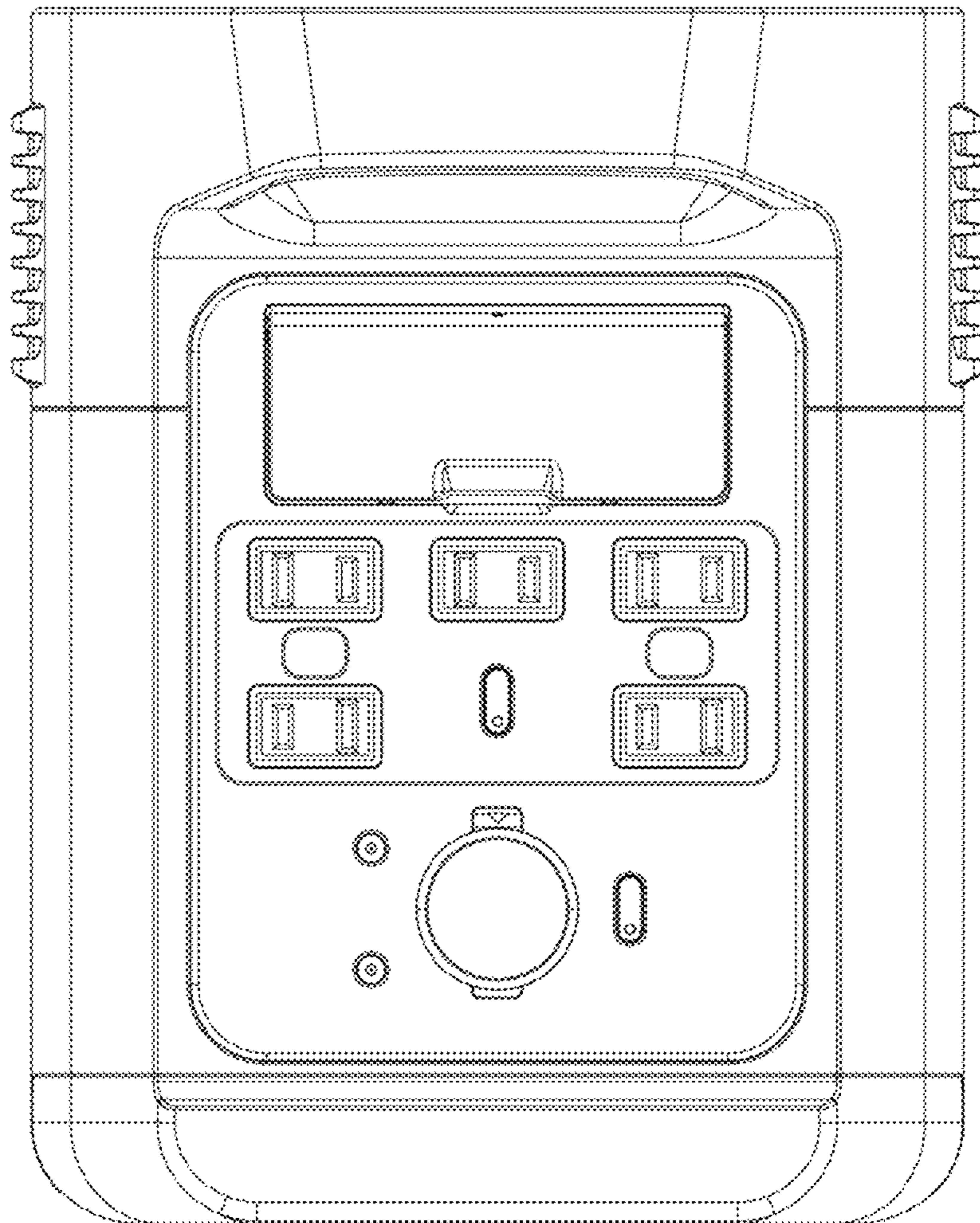
1.2



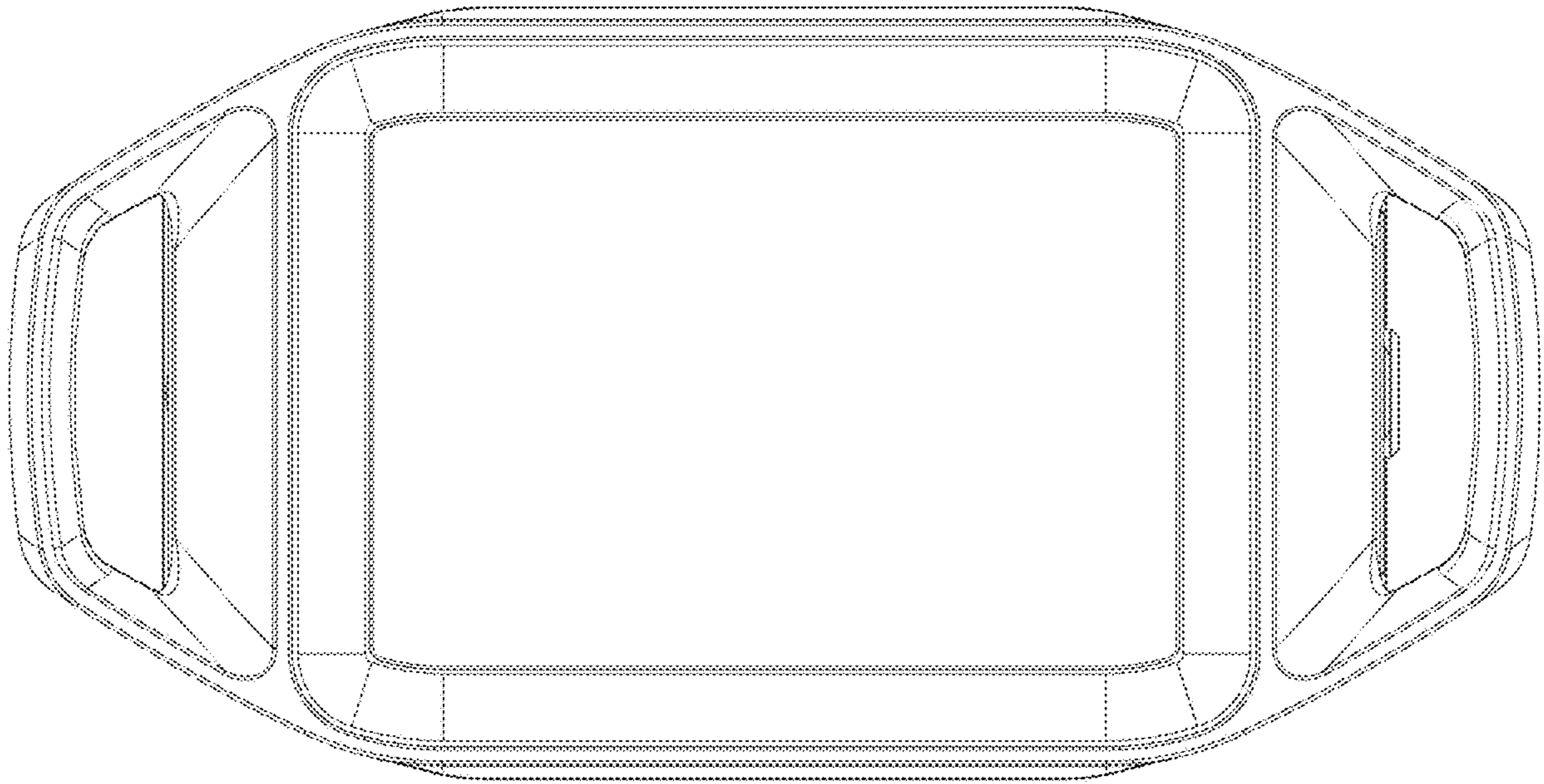
1.3



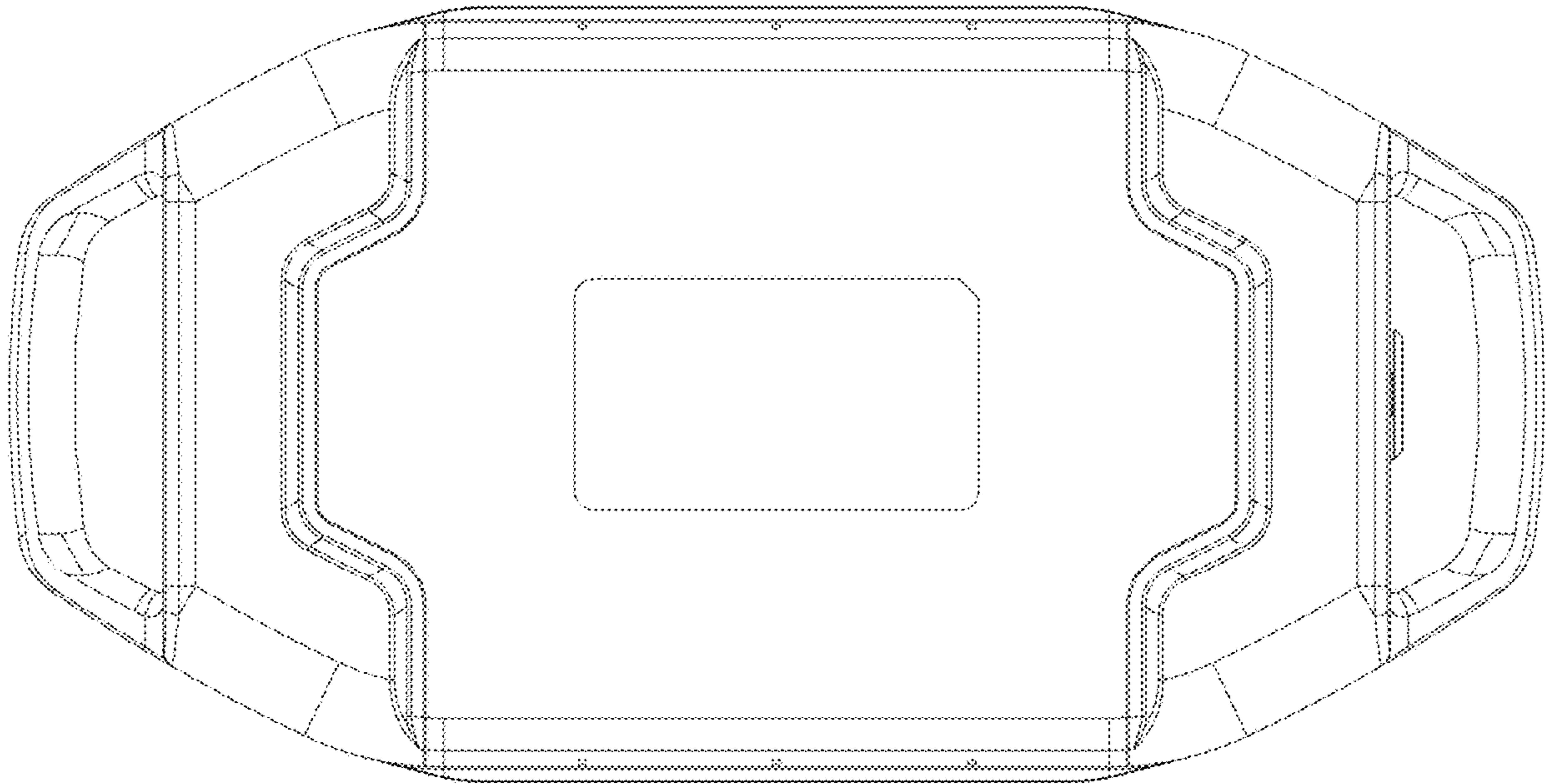
1.4



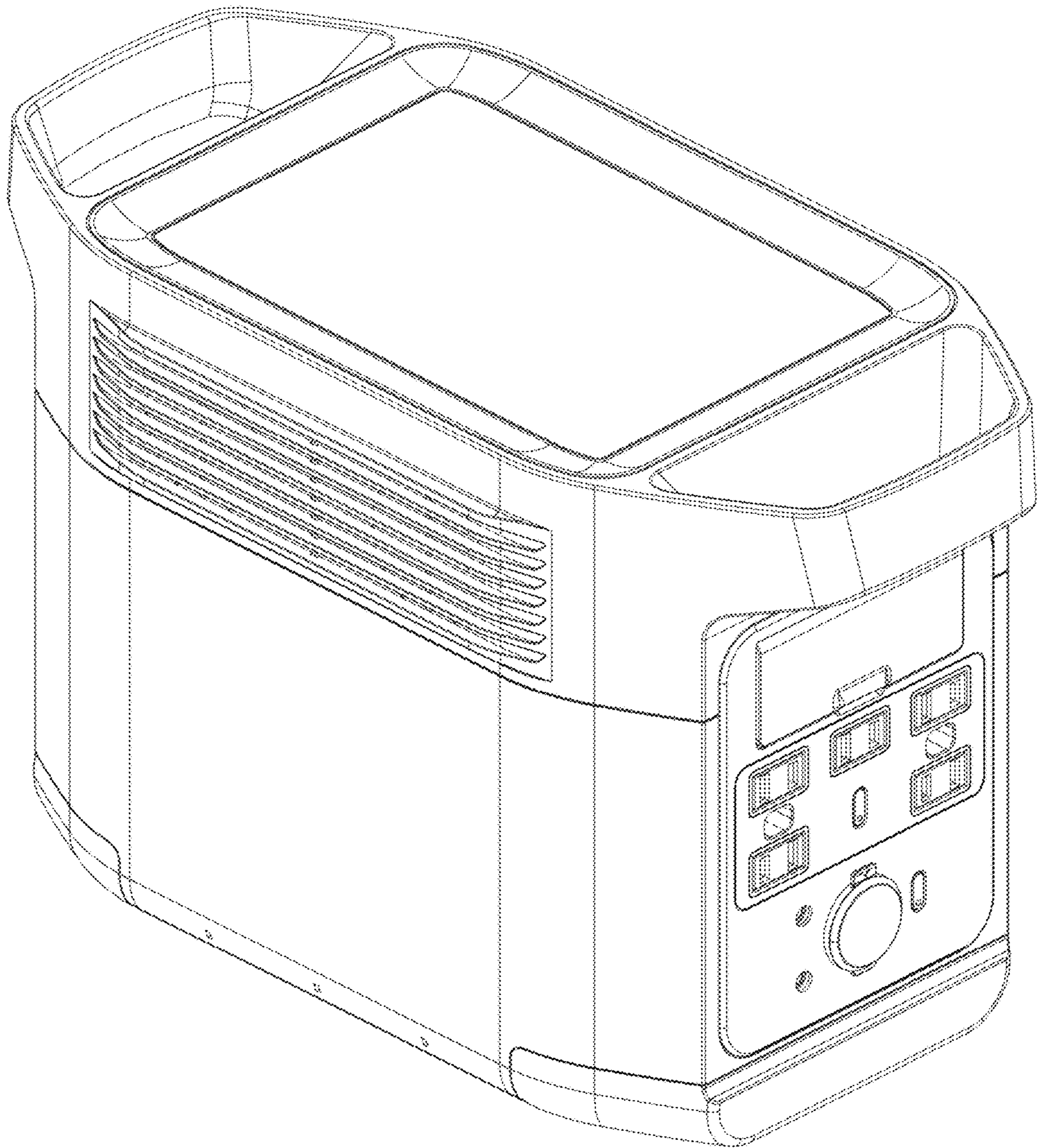
1.5



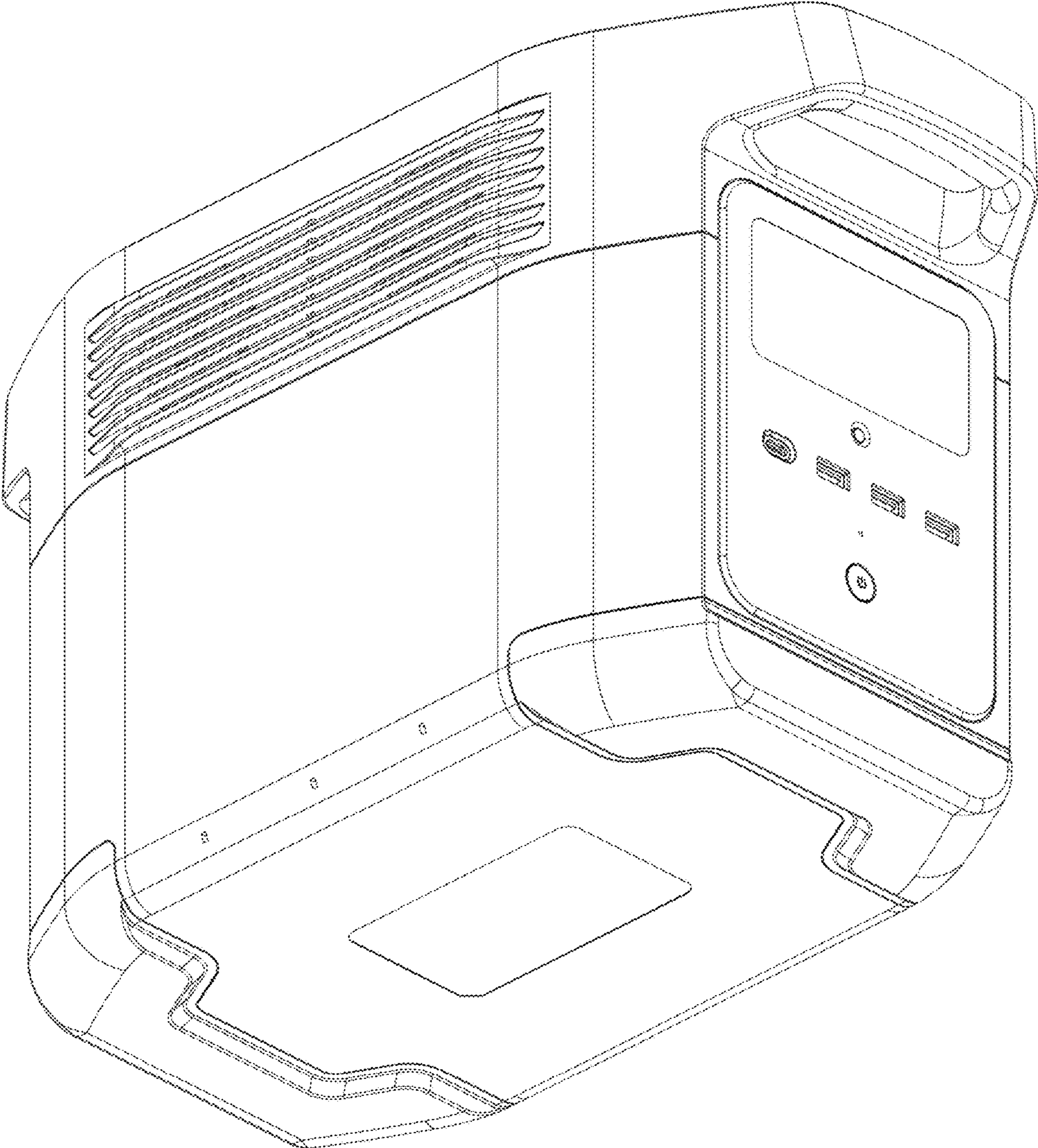
1.6



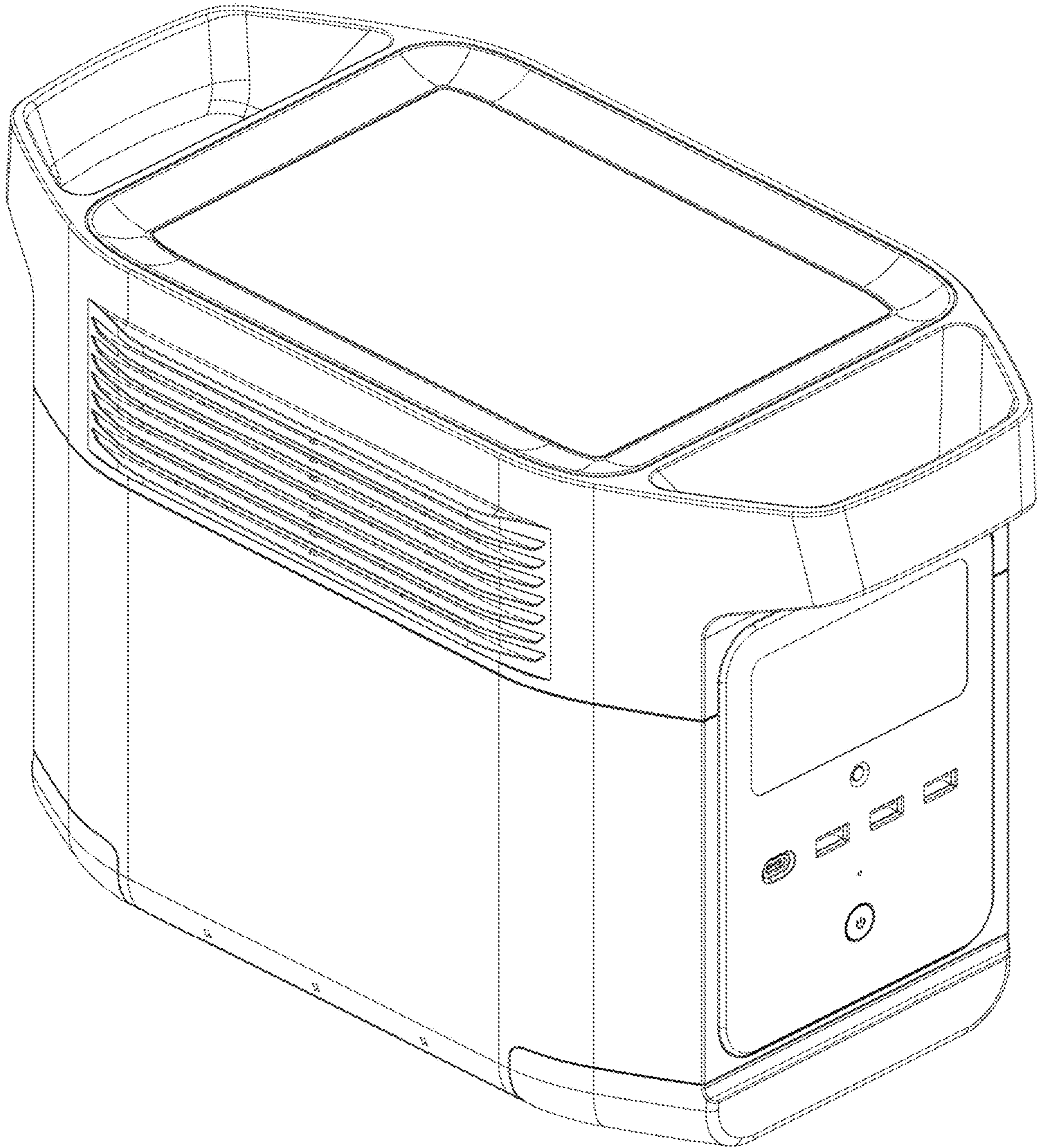
1.7



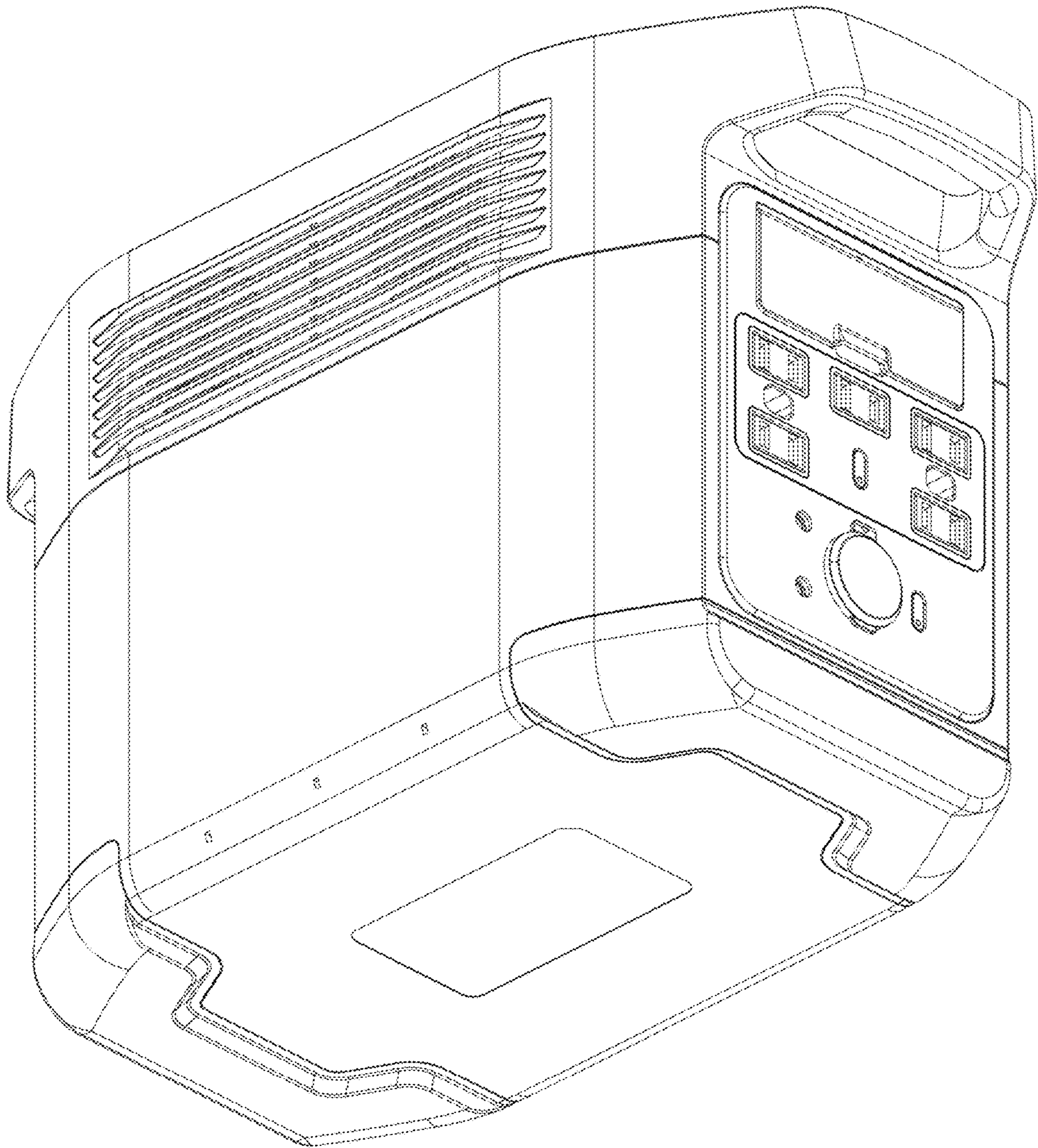
1.8



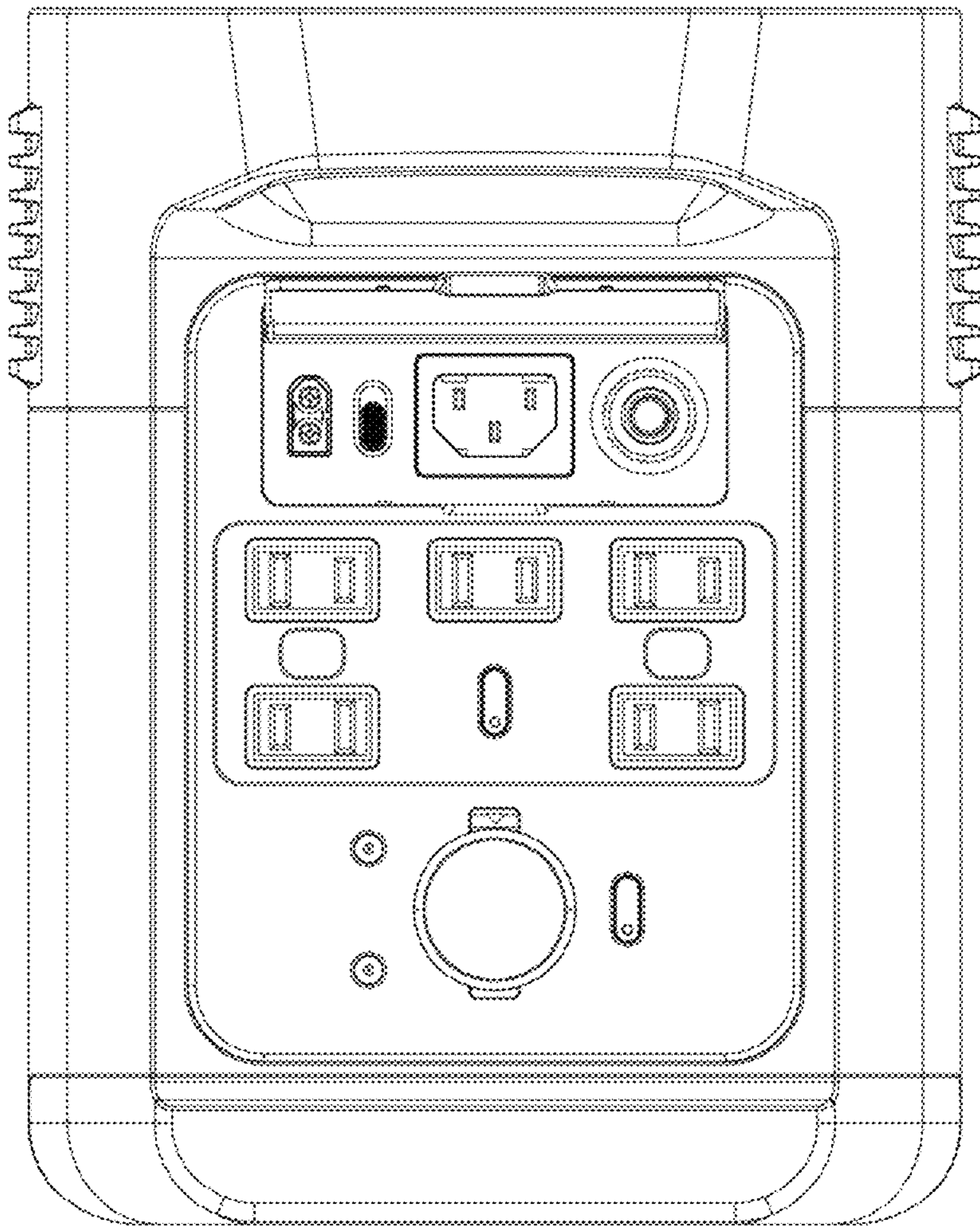
1.9



1.10



1.11



1.12



1.13

