



US00D988259S

(12) **United States Design Patent**
Liao

(10) **Patent No.:** **US D988,259 S**
(45) **Date of Patent:** **** Jun. 6, 2023**

(54) **WIRELESS CHARGING HOLDER**

(71) Applicant: **Qianhai Junda (Shenzhen) Equity Investment Co., Ltd, Shenzhen (CN)**

(72) Inventor: **Zhuowen Liao, Shenzhen (CN)**

(73) Assignee: **Qianhai Junda (Shenzhen) Equity Investment Co., Ltd, Shenzhen (CN)**

(**) Term: **15 Years**

(21) Appl. No.: **29/799,901**

(22) Filed: **Jul. 16, 2021**

(30) **Foreign Application Priority Data**

Mar. 19, 2021 (CN) 202130149616.6

(51) **LOC (14) Cl.** **13-02**

(52) **U.S. Cl.**
USPC **D13/108**

(58) **Field of Classification Search**

USPC D13/107, 108, 118–119, 184, 199;
D14/251, 253, 432, 434, 447; D32/31

CPC B60R 11/00; B60R 11/02; B60R 11/0001;
B60R 11/0042; H04M 1/04; H04M
1/0202; F16M 11/00; F16M 11/04; F16M
11/06; H05K 5/0204

See application file for complete search history.

(56) **References Cited**

U.S. PATENT DOCUMENTS

D813,805 S	*	3/2018	Zhong	D13/108
D857,626 S	*	8/2019	Zhang	D13/108
D873,259 S	*	1/2020	Lindof	D14/224
D883,203 S	*	5/2020	Zheng	D13/108
D886,059 S	*	6/2020	Hu	D13/108
D904,978 S	*	12/2020	Liao	D13/108

(Continued)

FOREIGN PATENT DOCUMENTS

CA 199400 * 7/2022
CN 307480963 * 5/2022

(Continued)

OTHER PUBLICATIONS

Anker—Magnetic Wireless Charging Station, Announced on Aug. 12, 2021[online], Retrieved on Jan. 10, 2023, Retrieved from internet, <https://www.amazon.com/Anker-Magnetic-Wireless-Charging-Station/dp/B09CG8P8X5> (Year: 2021).*

(Continued)

Primary Examiner — Barbara Fox

Assistant Examiner — Noah Perez

(57) **CLAIM**

The ornamental design for a wireless charging holder, as shown and described.

DESCRIPTION

FIG. 1 is a top, front and right perspective view of a wireless charging holder showing my new design;

FIG. 2 is a top, left and rear perspective view thereof;

FIG. 3 is a left, rear and bottom perspective view thereof;

FIG. 4 is a top, front and left perspective view thereof in use;

FIG. 5 is a top, left and rear perspective view thereof in use;

FIG. 6 is a front view of the wireless charging holder as shown in FIG. 1;

FIG. 7 is a rear view thereof;

FIG. 8 is a left side view thereof;

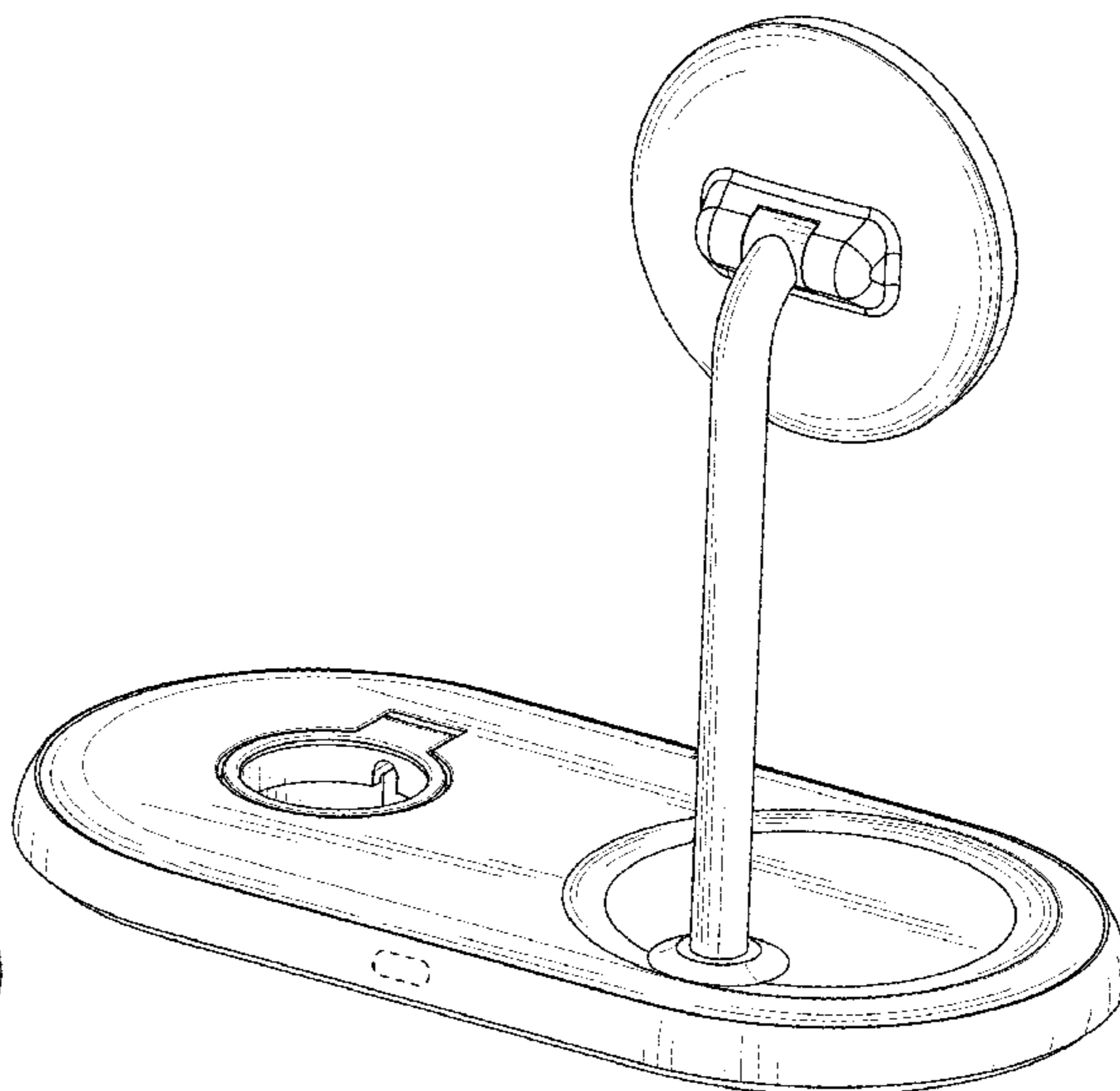
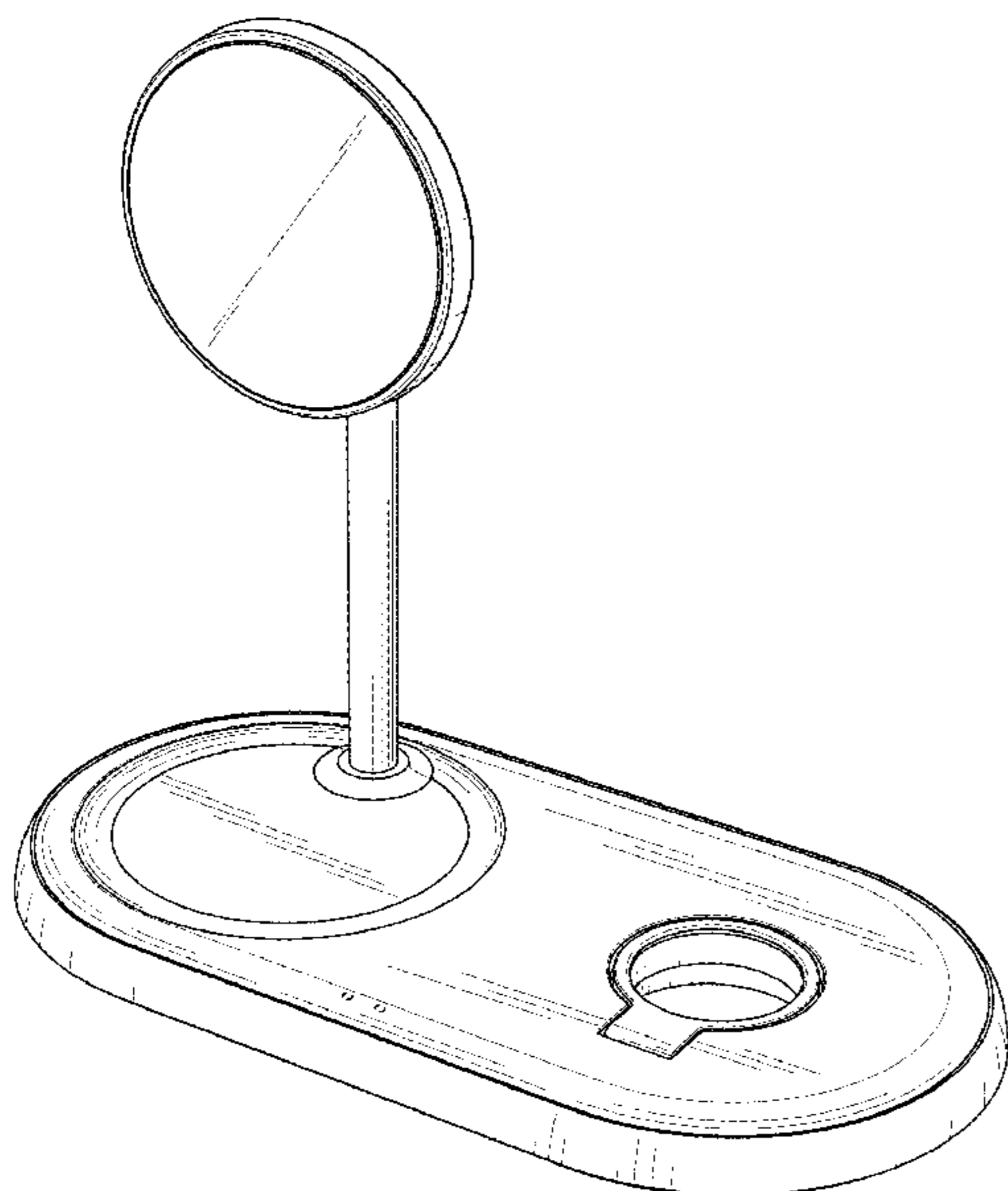
FIG. 9 is a right side view thereof;

FIG. 10 is a top plan view thereof; and,

FIG. 11 is a bottom plan view thereof.

The broken lines in the figures illustrate portions of the wireless charging holder that form no part of the claimed design.

1 Claim, 11 Drawing Sheets



(56)

References Cited

U.S. PATENT DOCUMENTS

D916,695 S * 4/2021 Lee D13/108
D917,452 S * 4/2021 Lee D13/108
D942,389 S * 2/2022 Sun D14/447
D955,331 S * 6/2022 Wang D13/108
D957,325 S * 7/2022 Turksu D13/108
D957,329 S * 7/2022 Turksu D13/108
D964,274 S * 9/2022 Liao D13/108
D965,518 S * 10/2022 Liu D13/108

FOREIGN PATENT DOCUMENTS

CN 307495676 * 8/2022
CN 307504891 * 8/2022

OTHER PUBLICATIONS

Geekera—Amazon, Announced on Oct. 13, 2022 [online], Retrieved on Jan. 10, 2023, Retrieved from internet, <https://www.amazon.com/dp/B0BJ36G917> (Year: 2022).*

Geekera, Donguan—Amazon, Announced on Jul. 6, 2022 [online], Retrieved on Jan. 10, 2023, Retrieved from internet, <https://www.amazon.com/dp/B0B5XBGFMJ> (Year: 2022).*

T268—Alibaba, No Announcement Date [online], Retrieved on Jan. 10, 2023, Retrieved from internet, https://www.alibaba.com/product-detail/5-in-1-T268-hot-sales_1600199688425.html.*

* cited by examiner

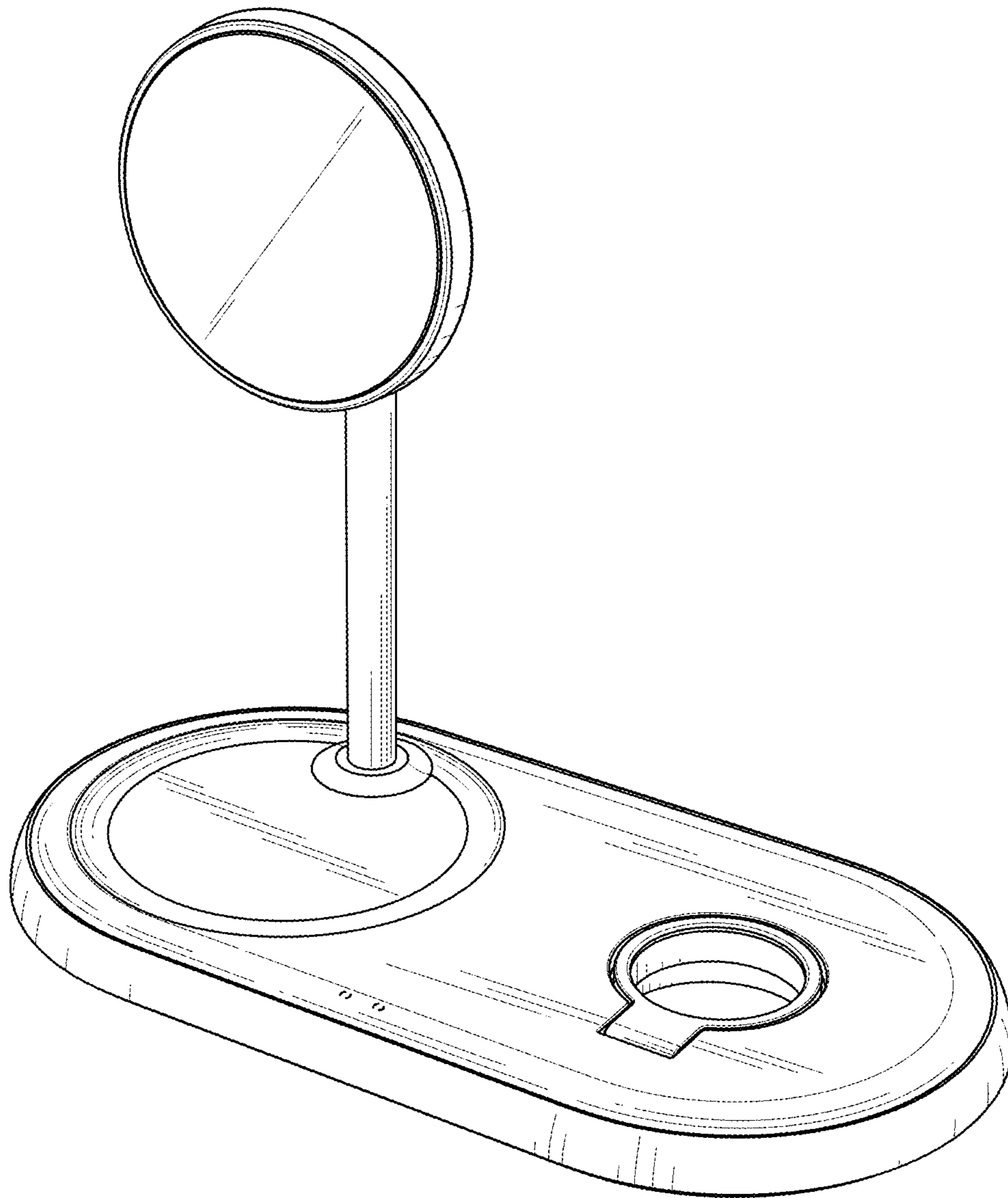


FIG. 1

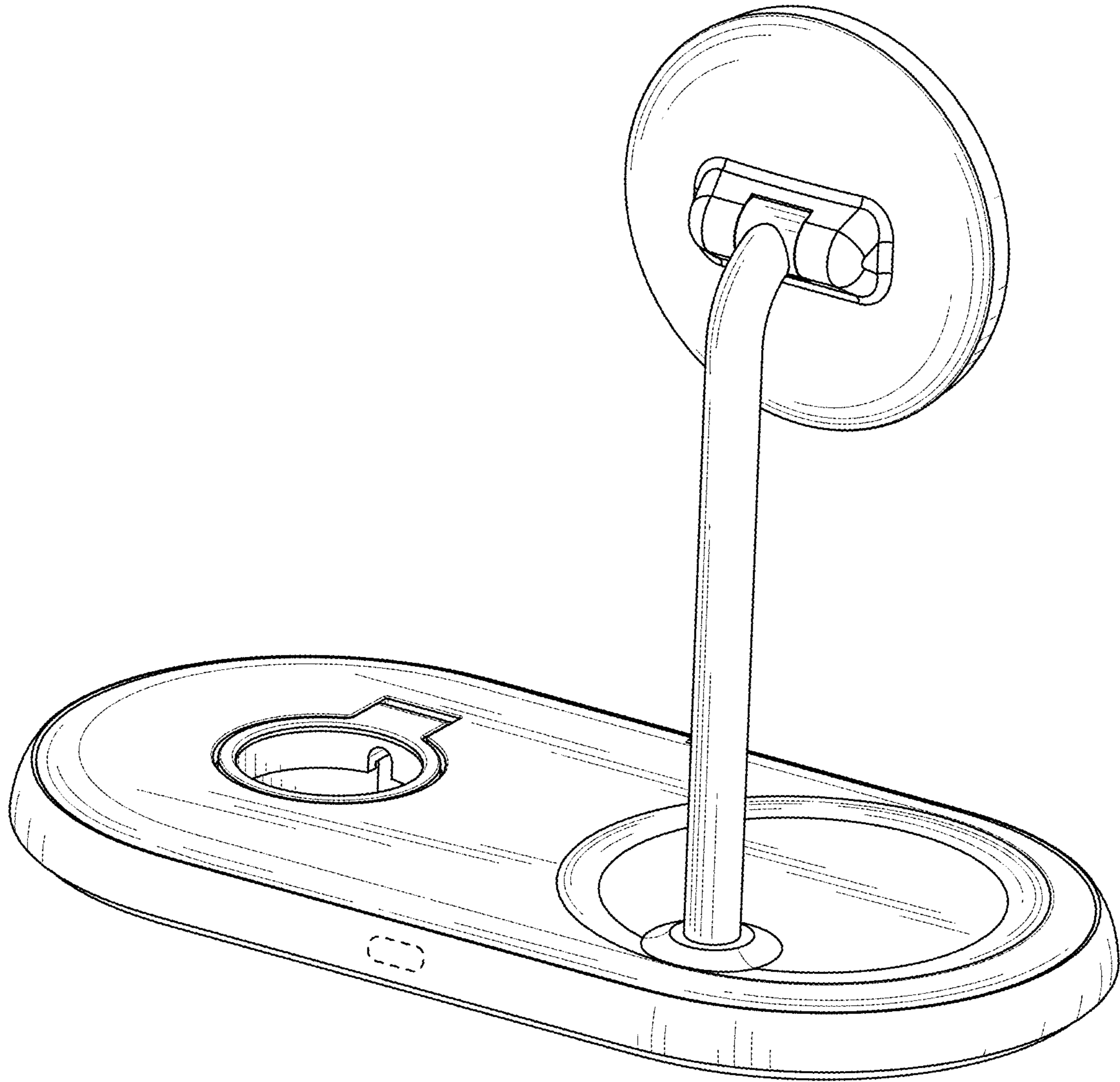


FIG. 2

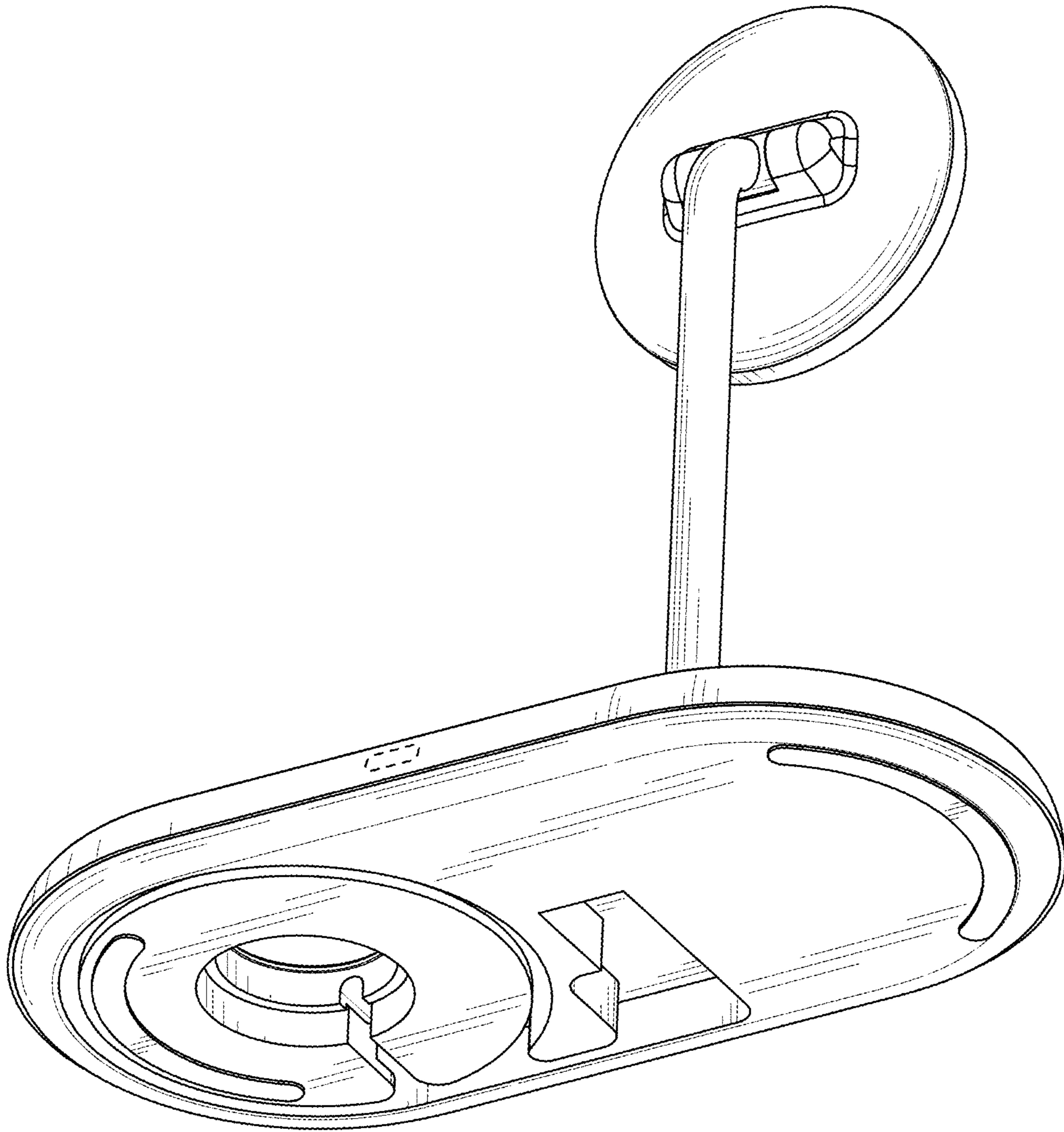


FIG. 3

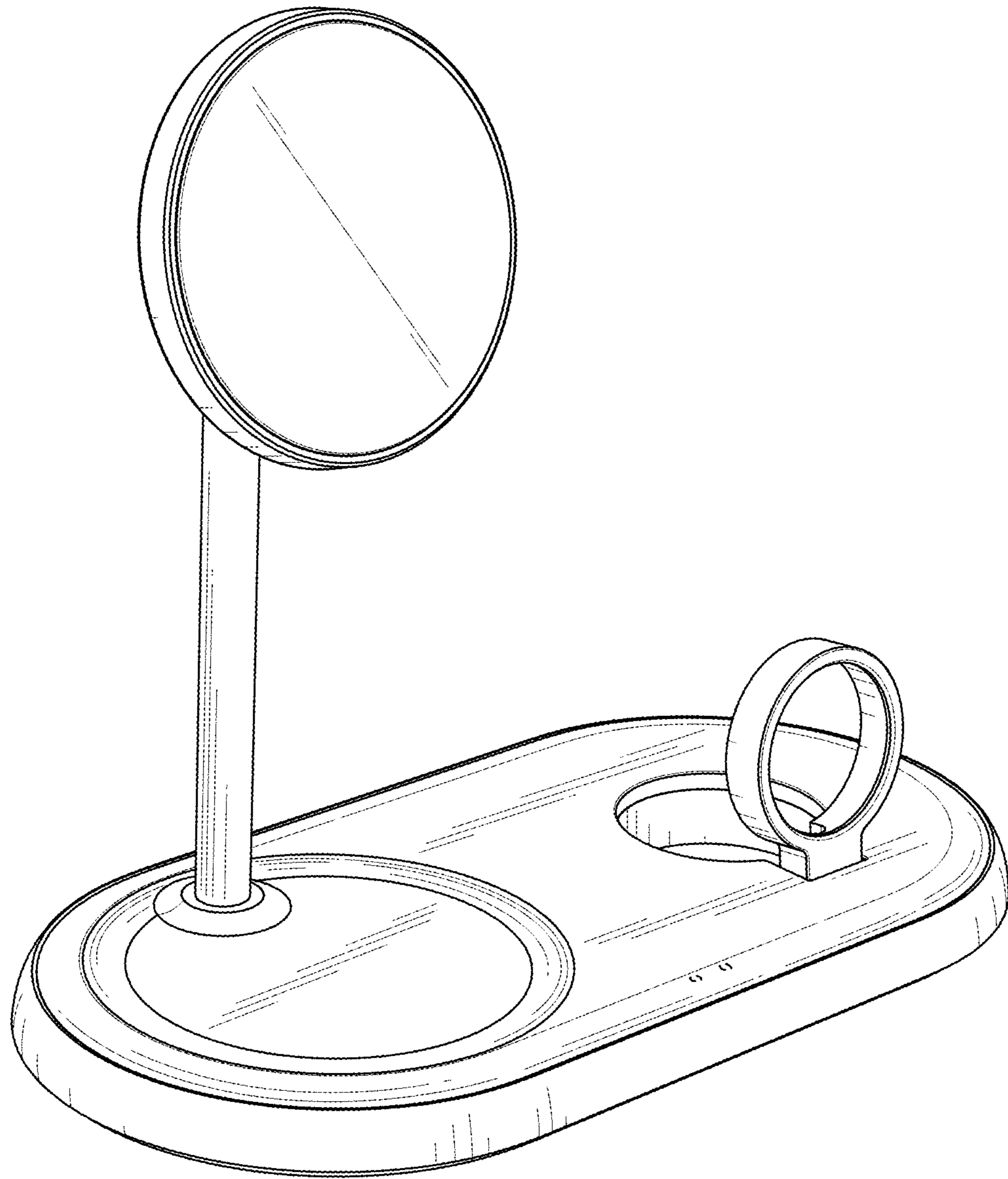


FIG. 4

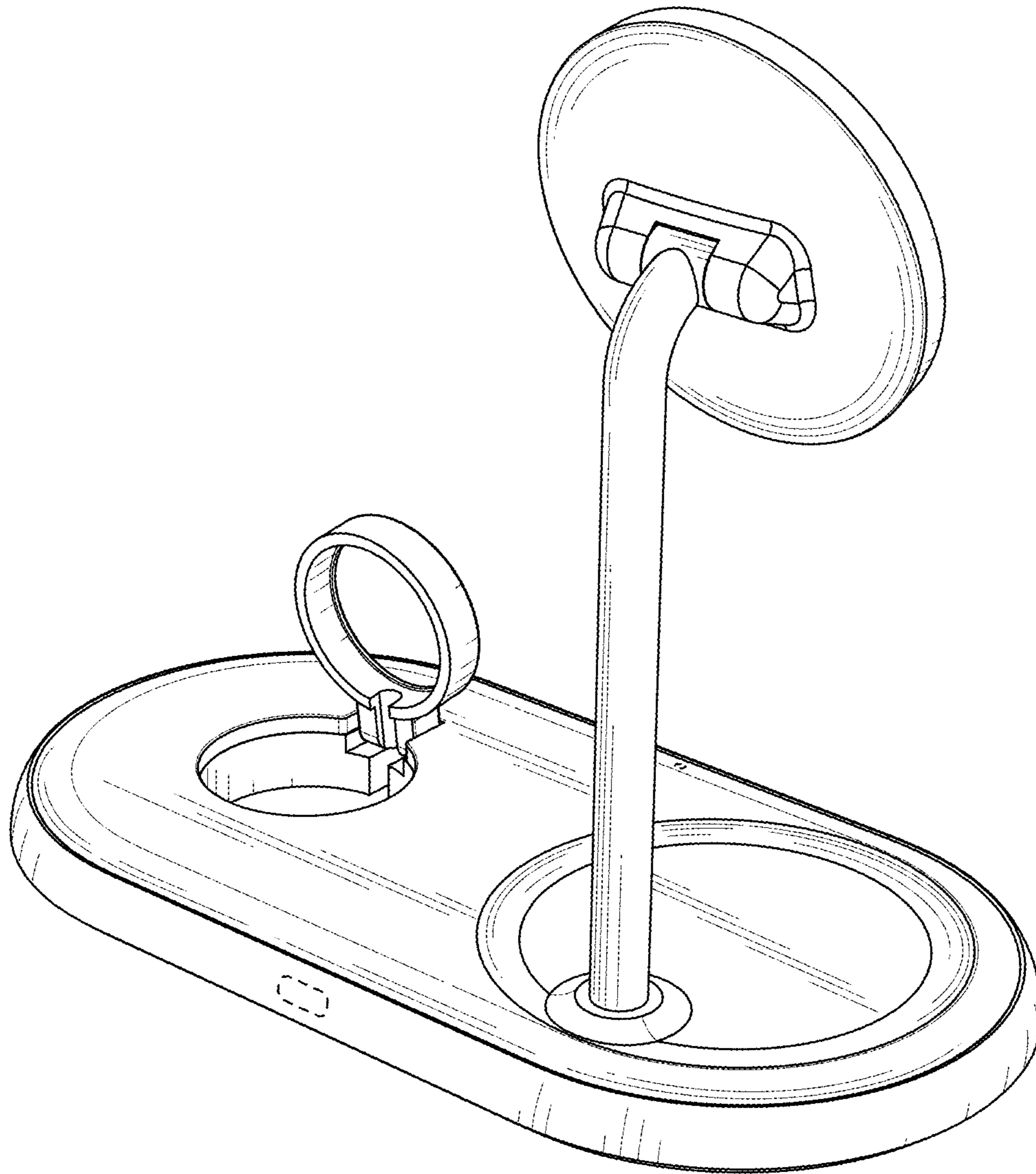


FIG. 5

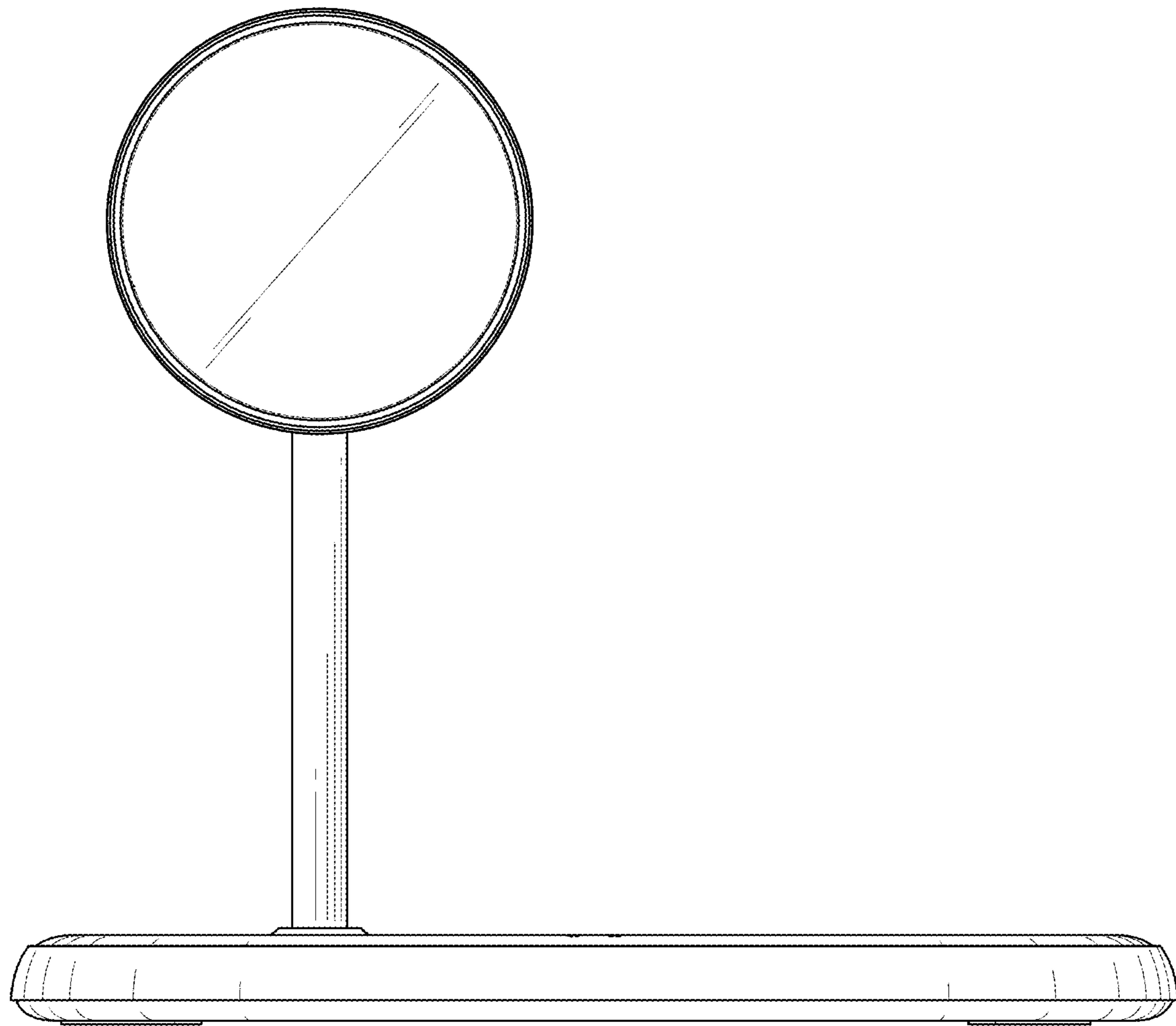


FIG. 6

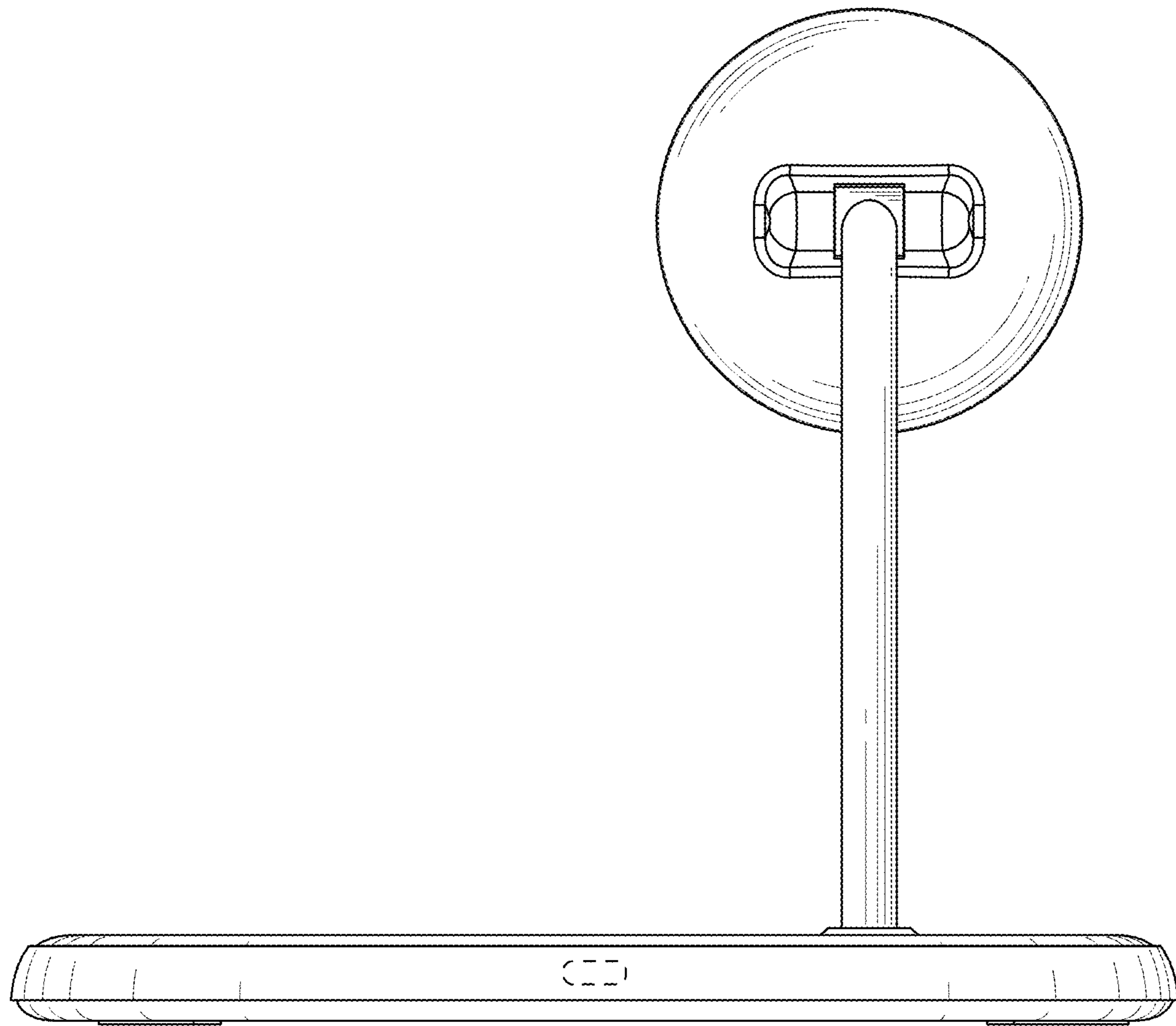


FIG. 7

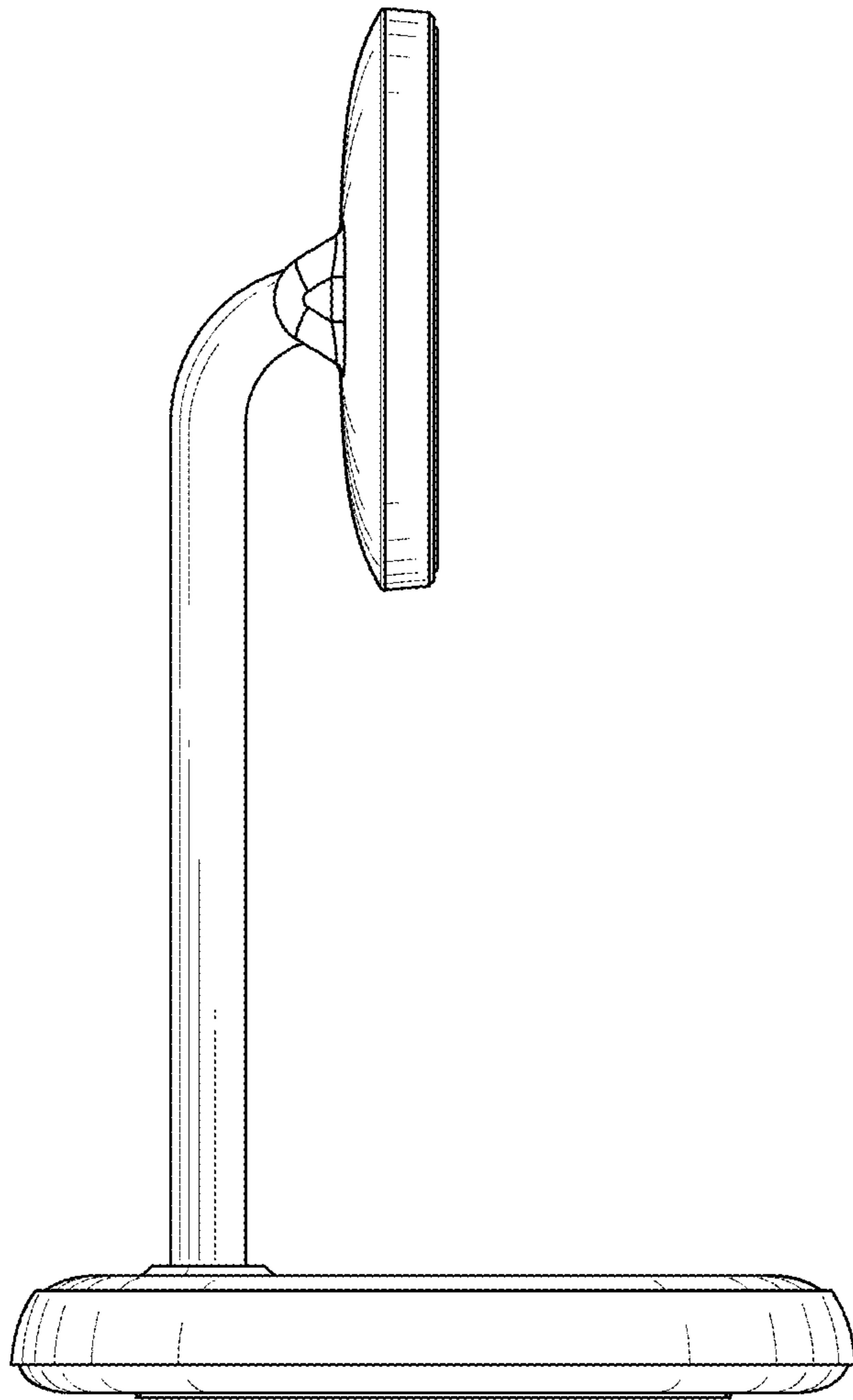


FIG. 8

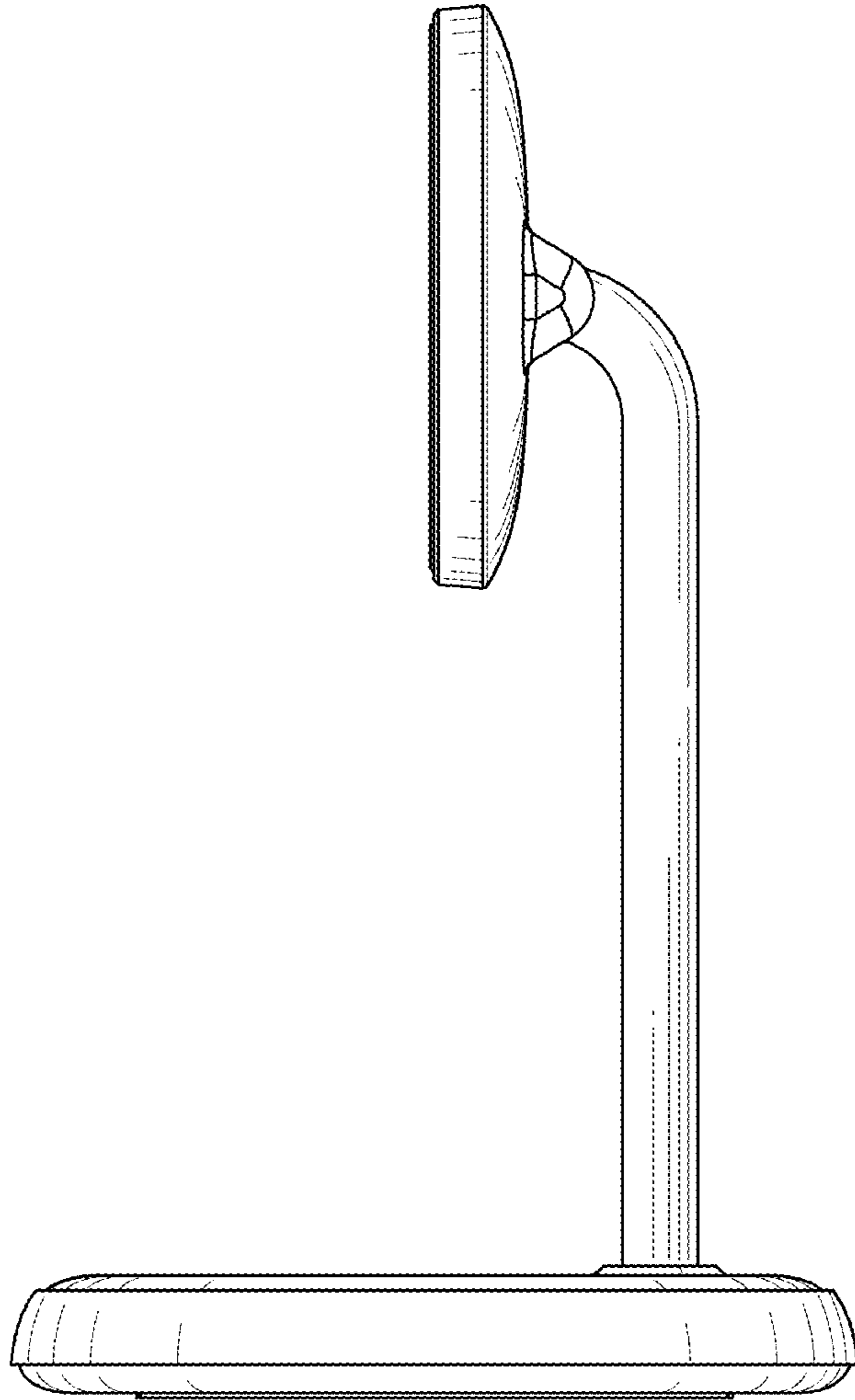


FIG. 9

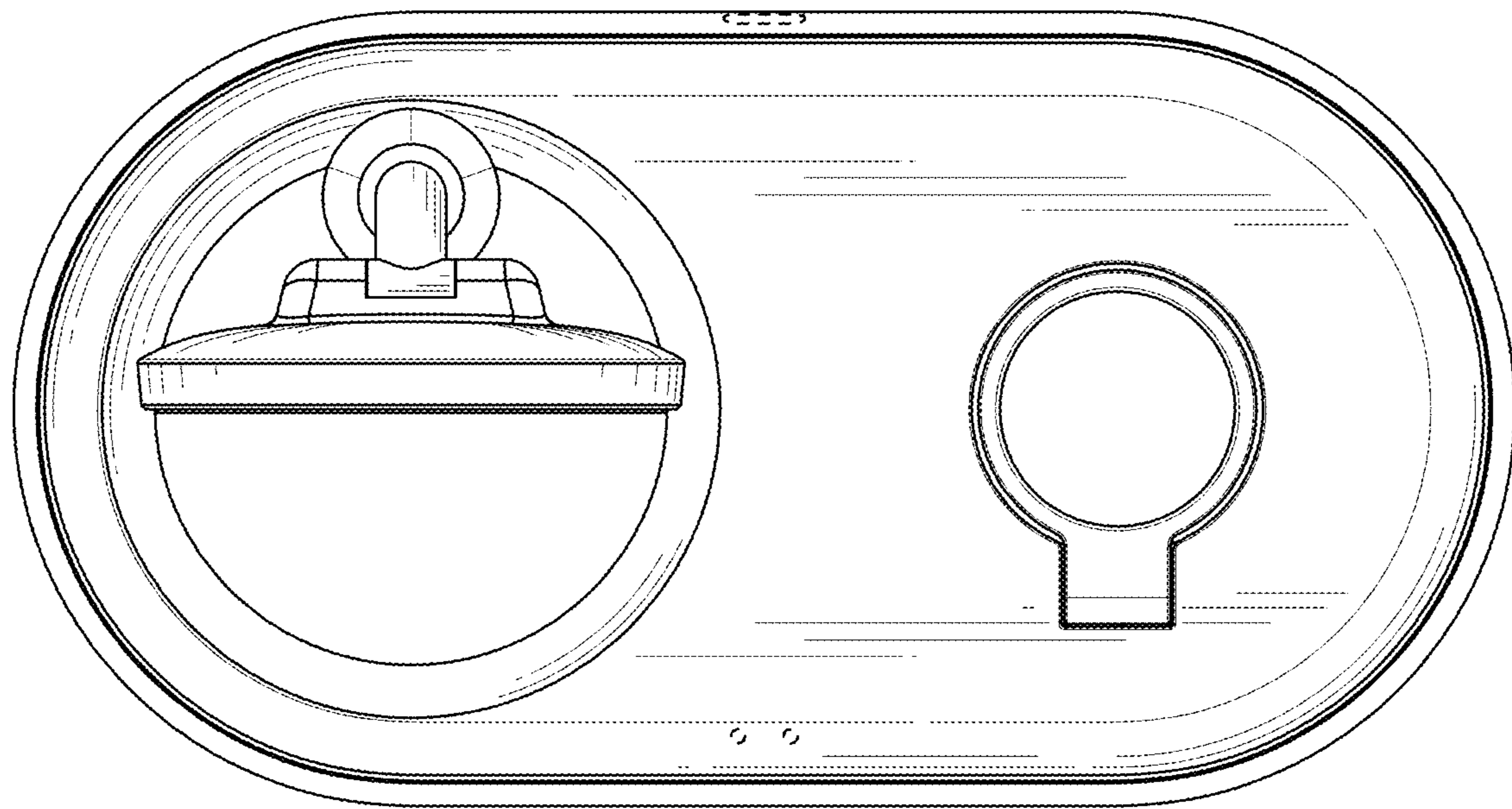


FIG. 10

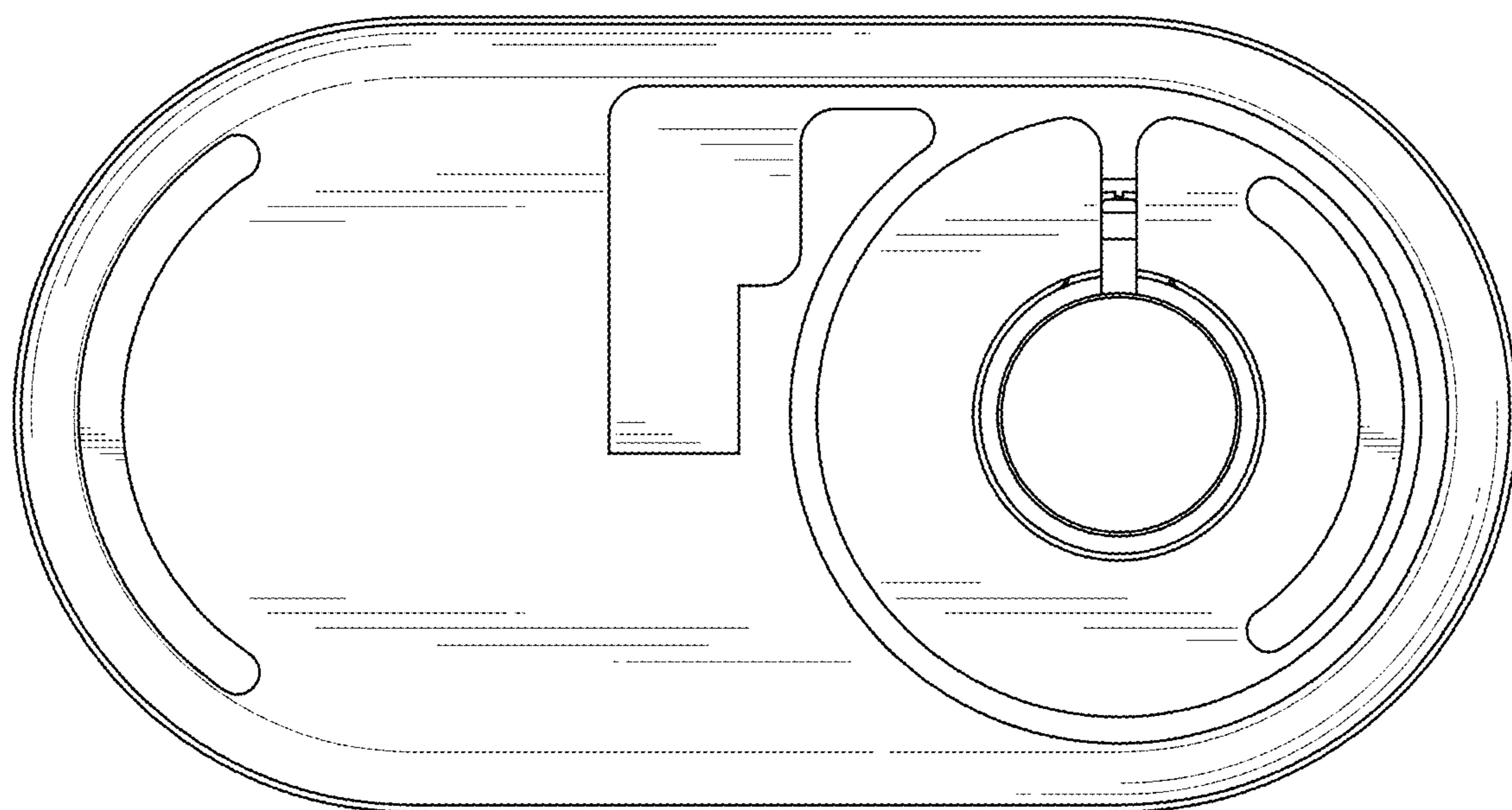


FIG. 11