



US00D988242S

(12) **United States Design Patent**
Takemori

(10) **Patent No.:** **US D988,242 S**

(45) **Date of Patent:** **** Jun. 6, 2023**

(54) **AUTOMOBILE TIRE**

(71) Applicant: **The Yokohama Rubber Co., LTD.**,
Tokyo (JP)

(72) Inventor: **Ryohei Takemori**, Hiratsuka (JP)

(73) Assignee: **The Yokohama Rubber Co., LTD.**,
Tokyo (JP)

(**) Term: **15 Years**

(21) Appl. No.: **29/804,010**

(22) Filed: **Aug. 17, 2021**

(30) **Foreign Application Priority Data**

Feb. 17, 2021 (JP) 2021-003353 D

(51) **LOC (14) Cl.** **12-15**

(52) **U.S. Cl.**
USPC **D12/516**

(58) **Field of Classification Search**
USPC D12/500-532, 544, 566, 569, 570, 572,
D12/577, 604, 900

CPC Y10T 152/10027; B60C 1/0016; B60C
11/0306; B60C 11/0302; B60C 3/06;
B60C 9/17

See application file for complete search history.

(56) **References Cited**

U.S. PATENT DOCUMENTS

D660,222 S * 5/2012 Kim D12/519
D696,182 S * 12/2013 Sakamoto D12/519
D699,663 S * 2/2014 Dixon D12/521
D719,079 S * 12/2014 Horiuchi D12/519

D779,409 S * 2/2017 Zhang D12/519
D790,440 S * 6/2017 Schoeppner D12/521
D800,636 S * 10/2017 Morita D12/516
D808,331 S * 1/2018 Schoeppner D12/521
D819,546 S * 6/2018 Suzuki D12/516
D828,281 S * 9/2018 Luke D12/521
D894,093 S * 8/2020 Kameda D12/516
D894,094 S * 8/2020 Kameda D12/516
2012/0285592 A1 * 11/2012 Kameda B60C 11/033
152/209.8

* cited by examiner

Primary Examiner — John A Voytek

(74) *Attorney, Agent, or Firm* — Thorpe North & Western

(57) **CLAIM**

The ornamental design for an automobile tire, as shown and described.

DESCRIPTION

FIG. 1 is a perspective view of an automobile tire showing my new design;

FIG. 2 is a front view thereof;

FIG. 3 is a rear view thereof;

FIG. 4 is a left side view thereof;

FIG. 5 is a right side view thereof;

FIG. 6 is a top plan view thereof;

FIG. 7 is a bottom plan view thereof;

FIG. 8 is an enlarged fragmental view thereof; taken along lines 8-8 in FIG. 2; and,

FIG. 9 is a cross-sectional view thereof; taken along lines 9-9 in FIG. 8.

The broken lines in the drawings are for the purpose of illustrating unclaimed portions of the automobile tire and form no part of the claimed design, and the dash-dot-dash broken lines illustrate the boundary of the claimed design.

1 Claim, 7 Drawing Sheets

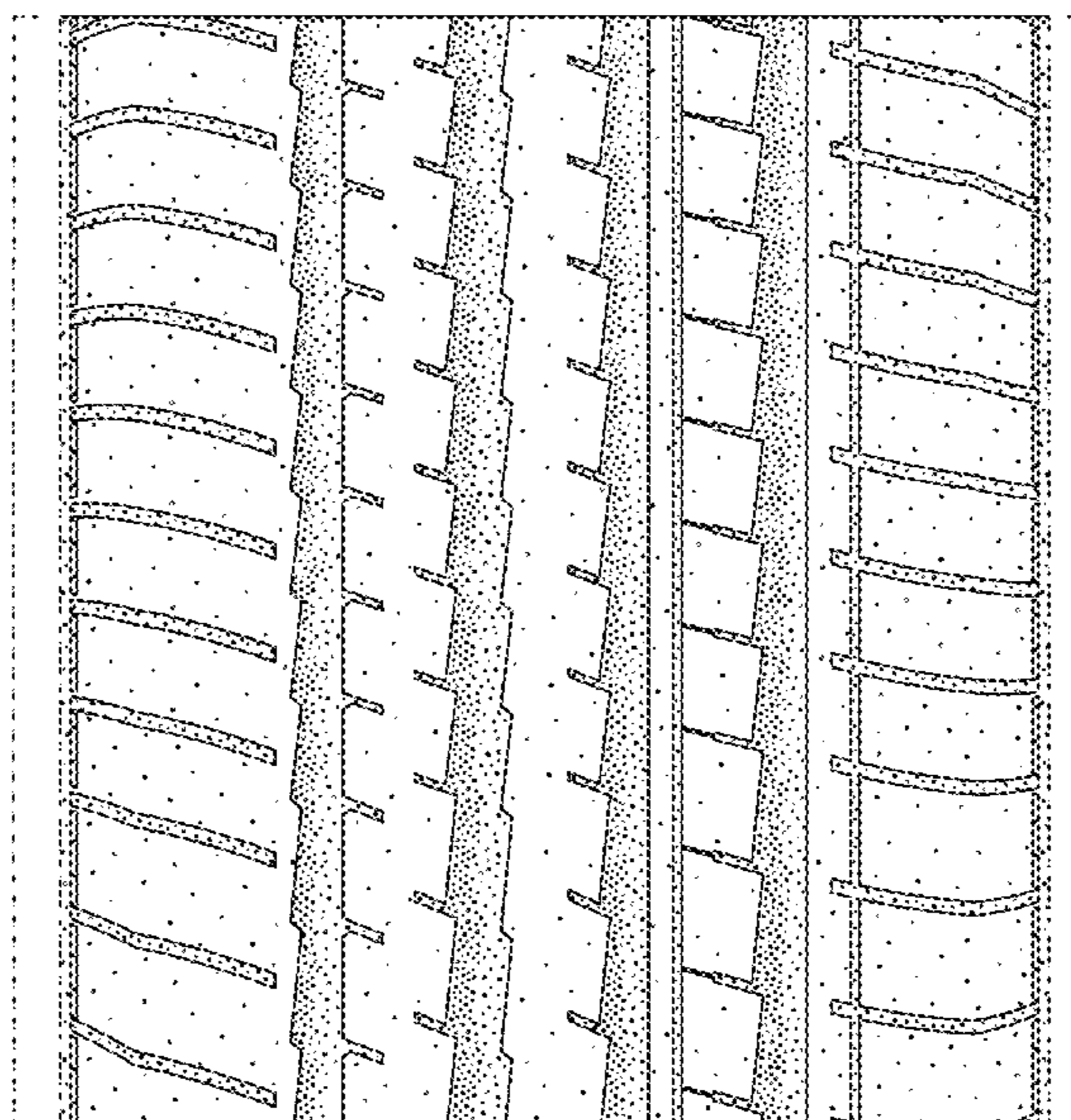
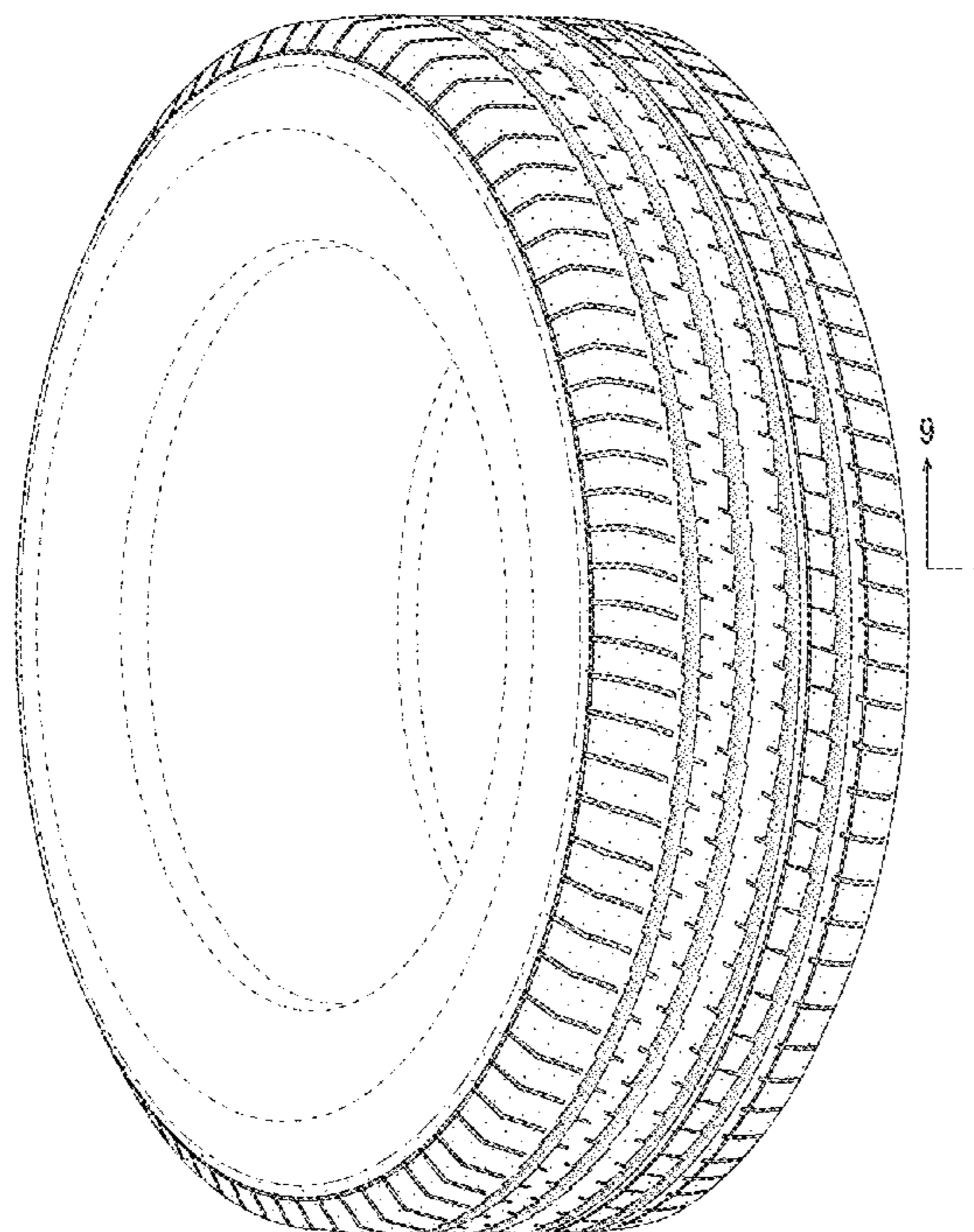


FIG. 1

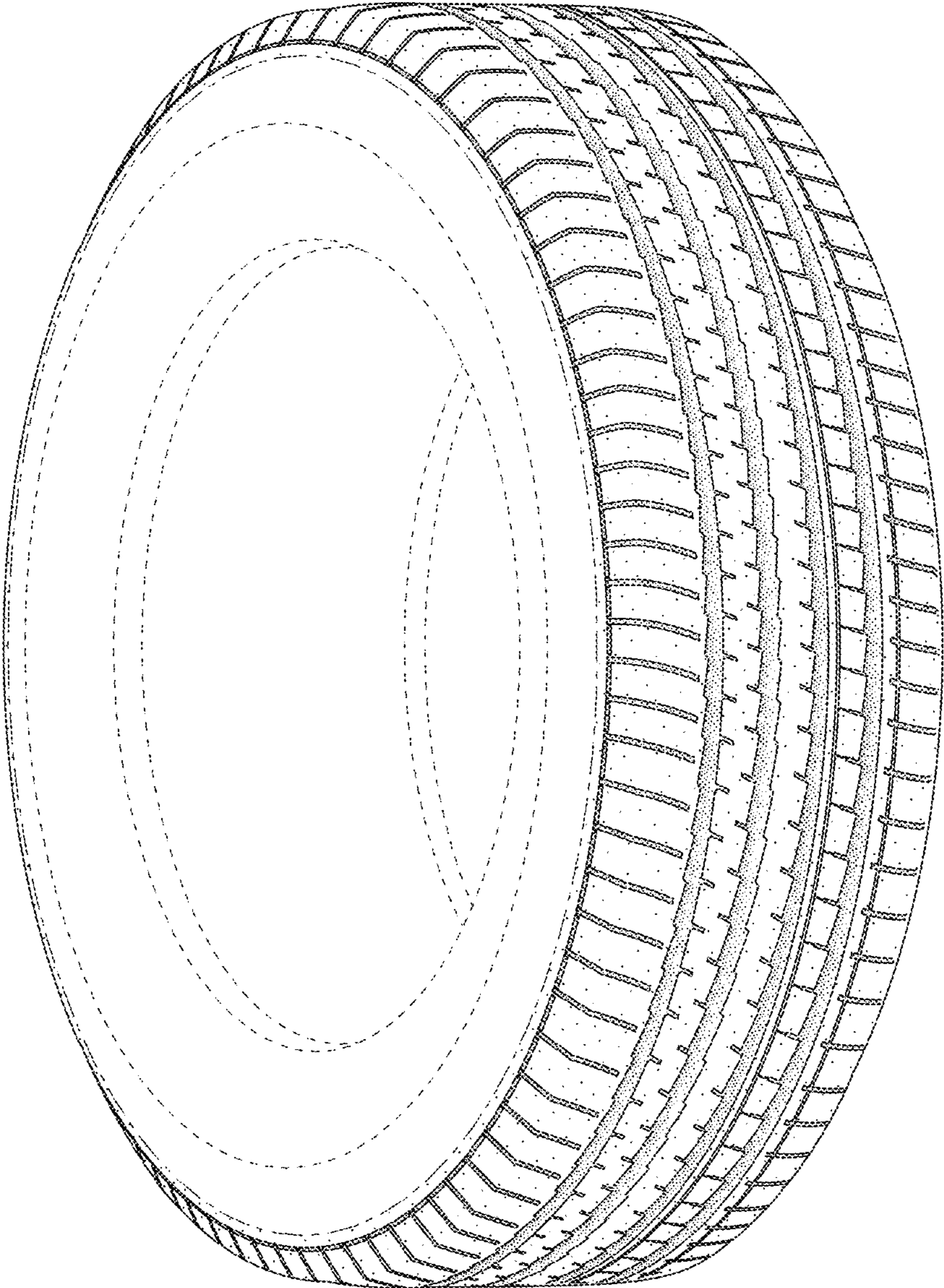


FIG. 2

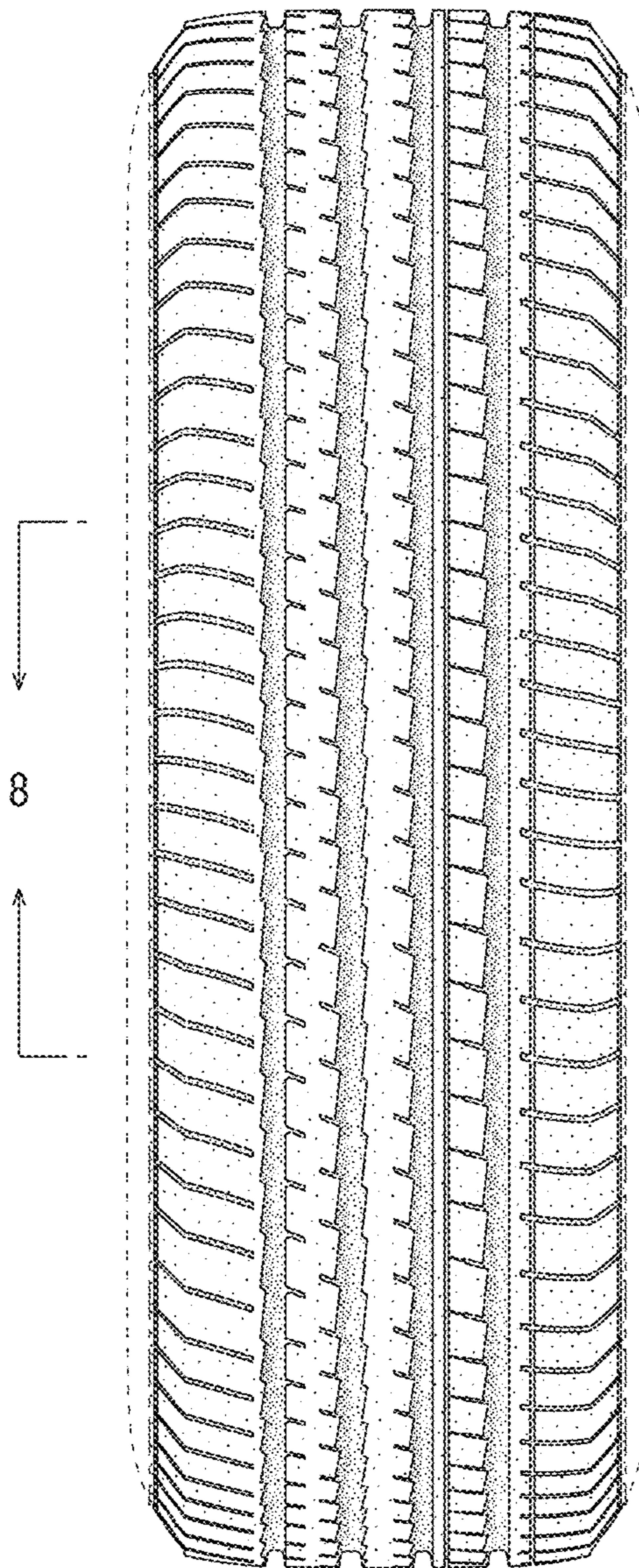


FIG. 3

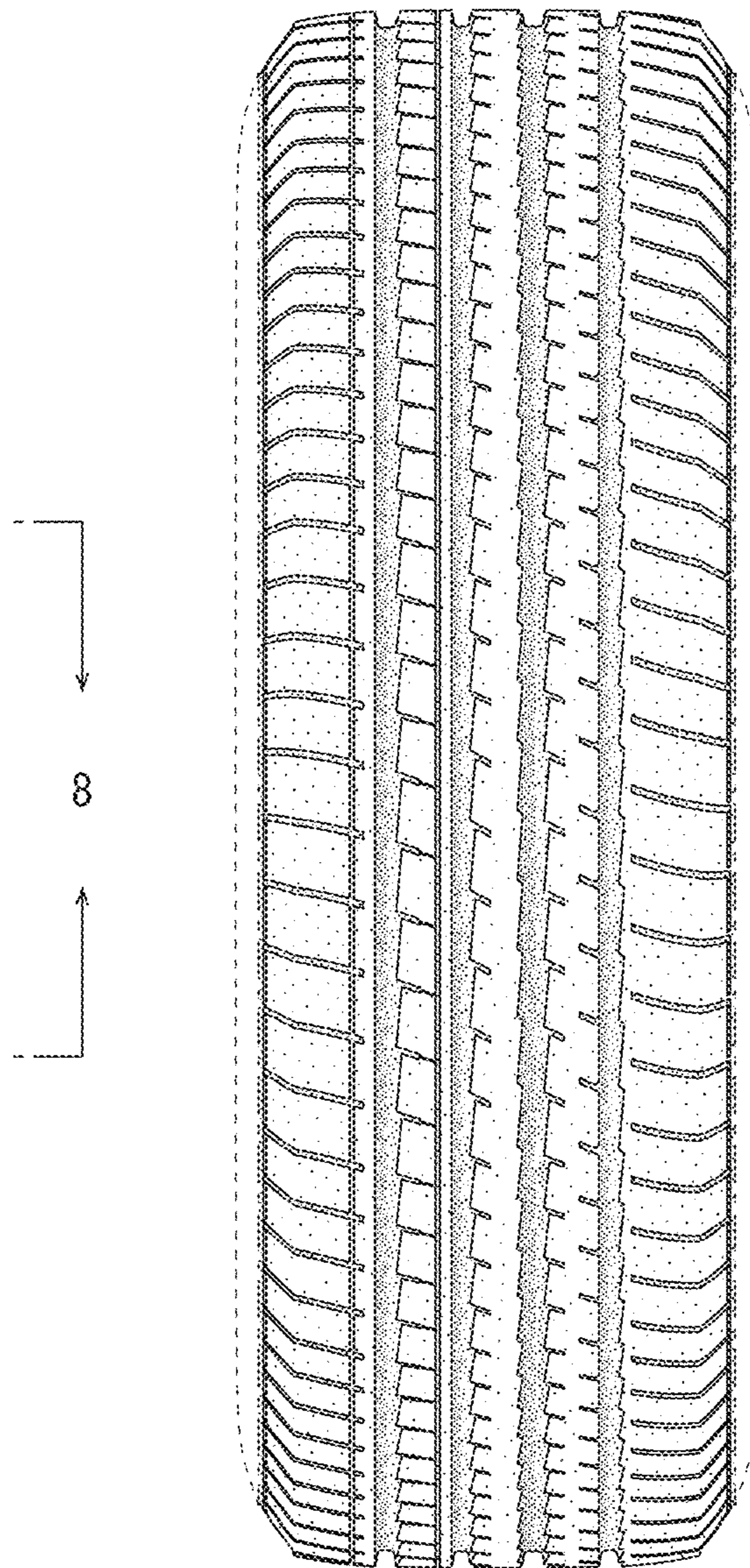


FIG. 4

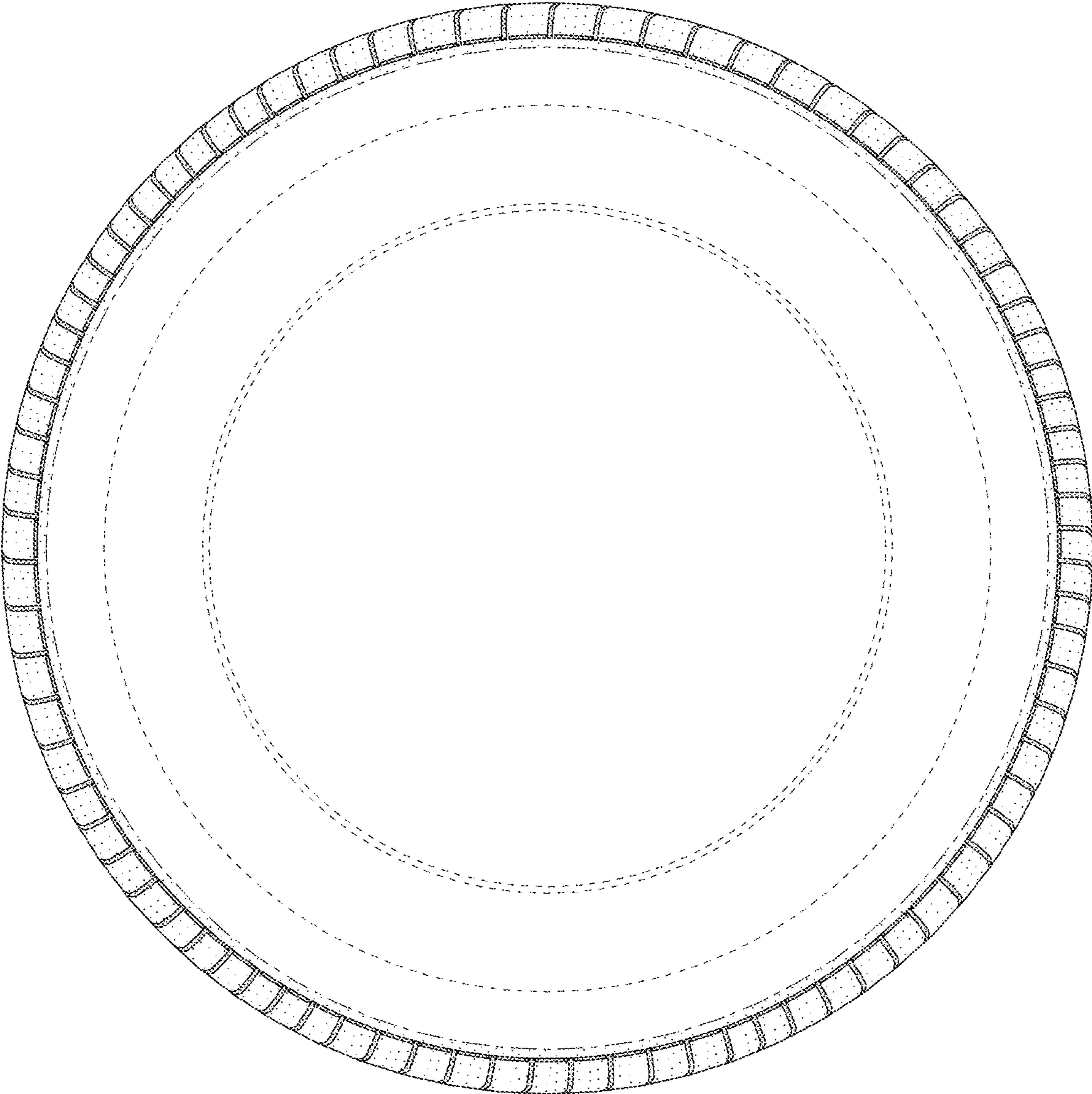


FIG. 5

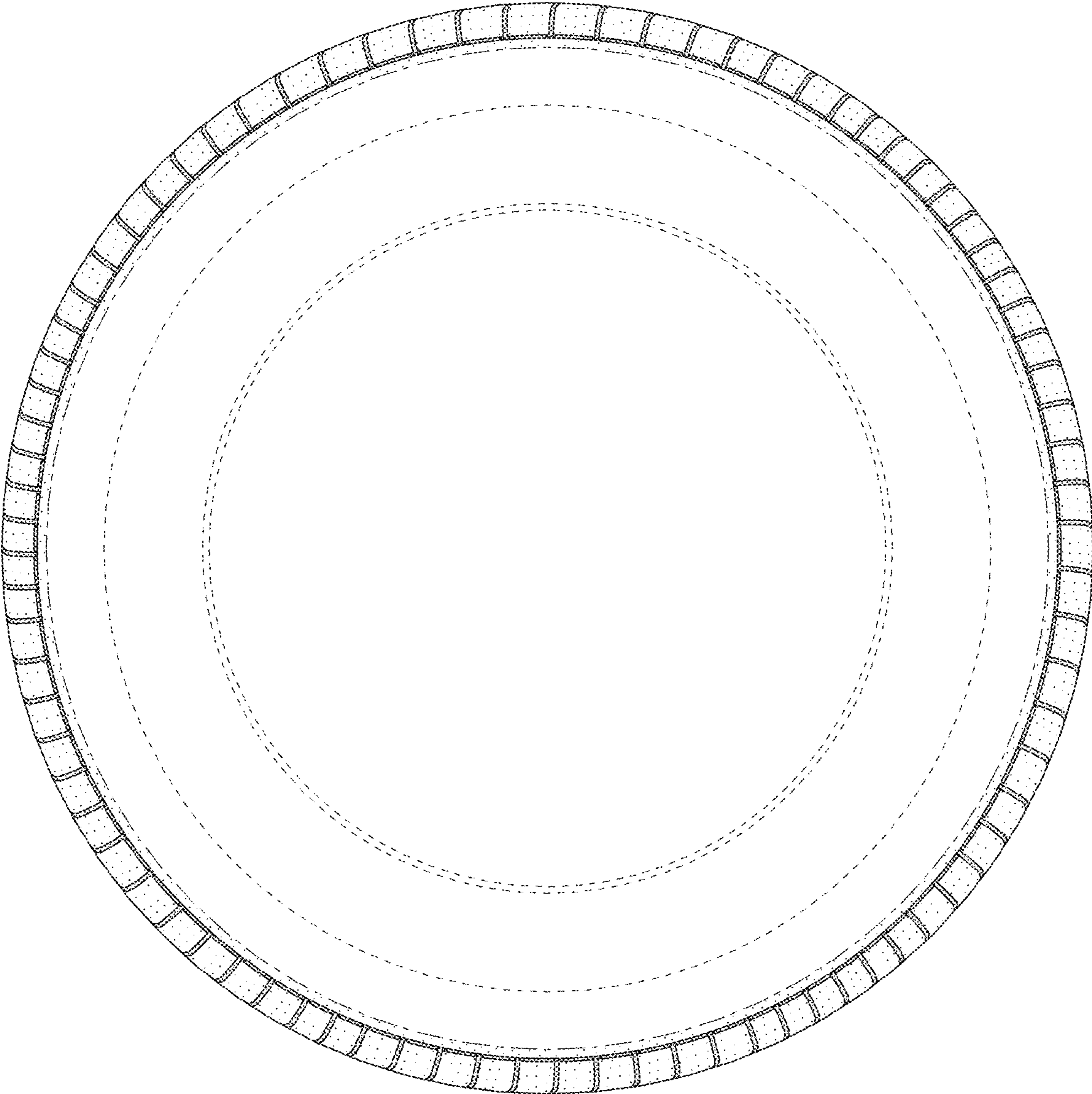


FIG. 6

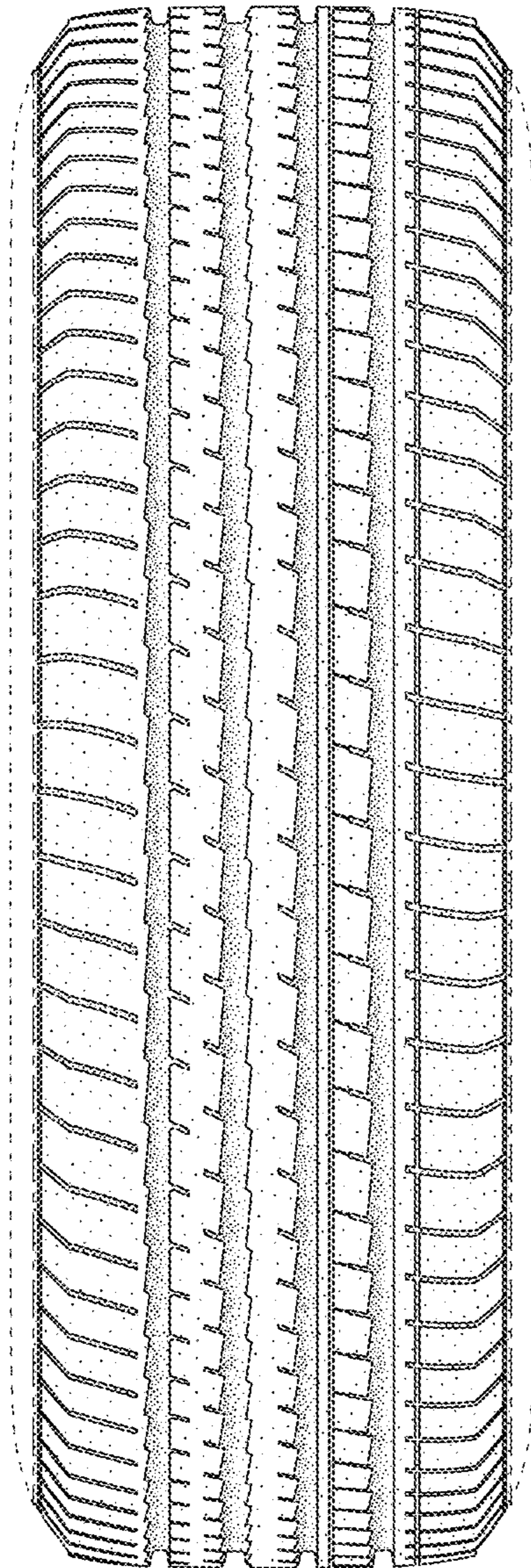


FIG. 7

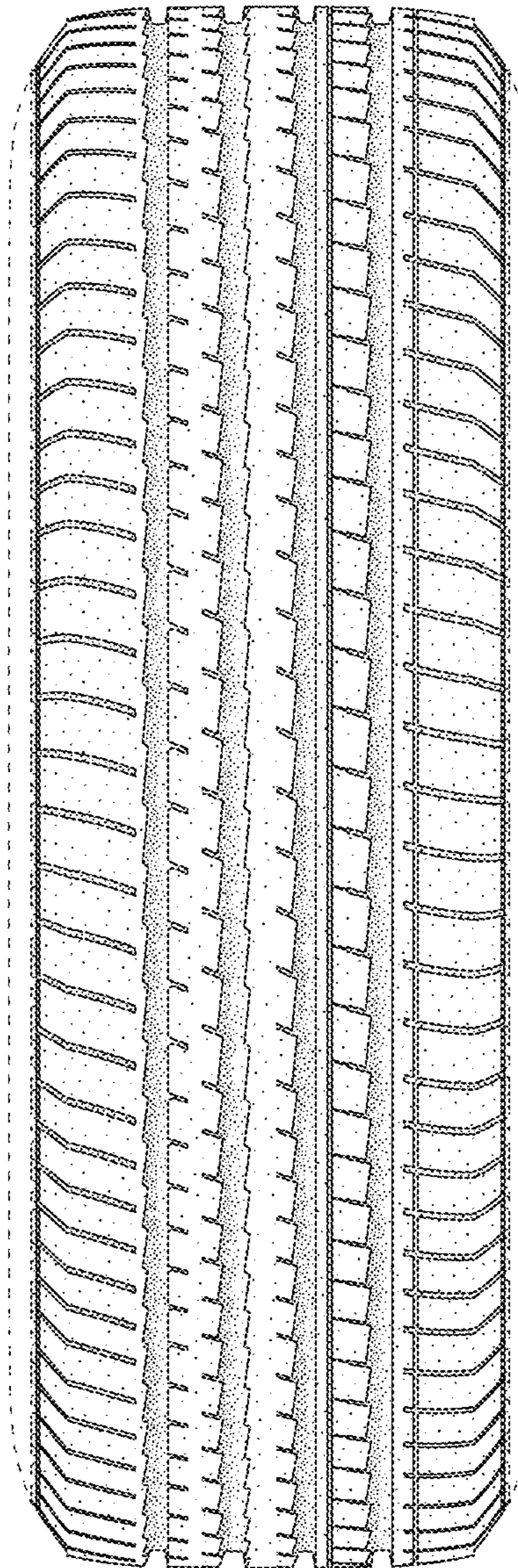


FIG. 8

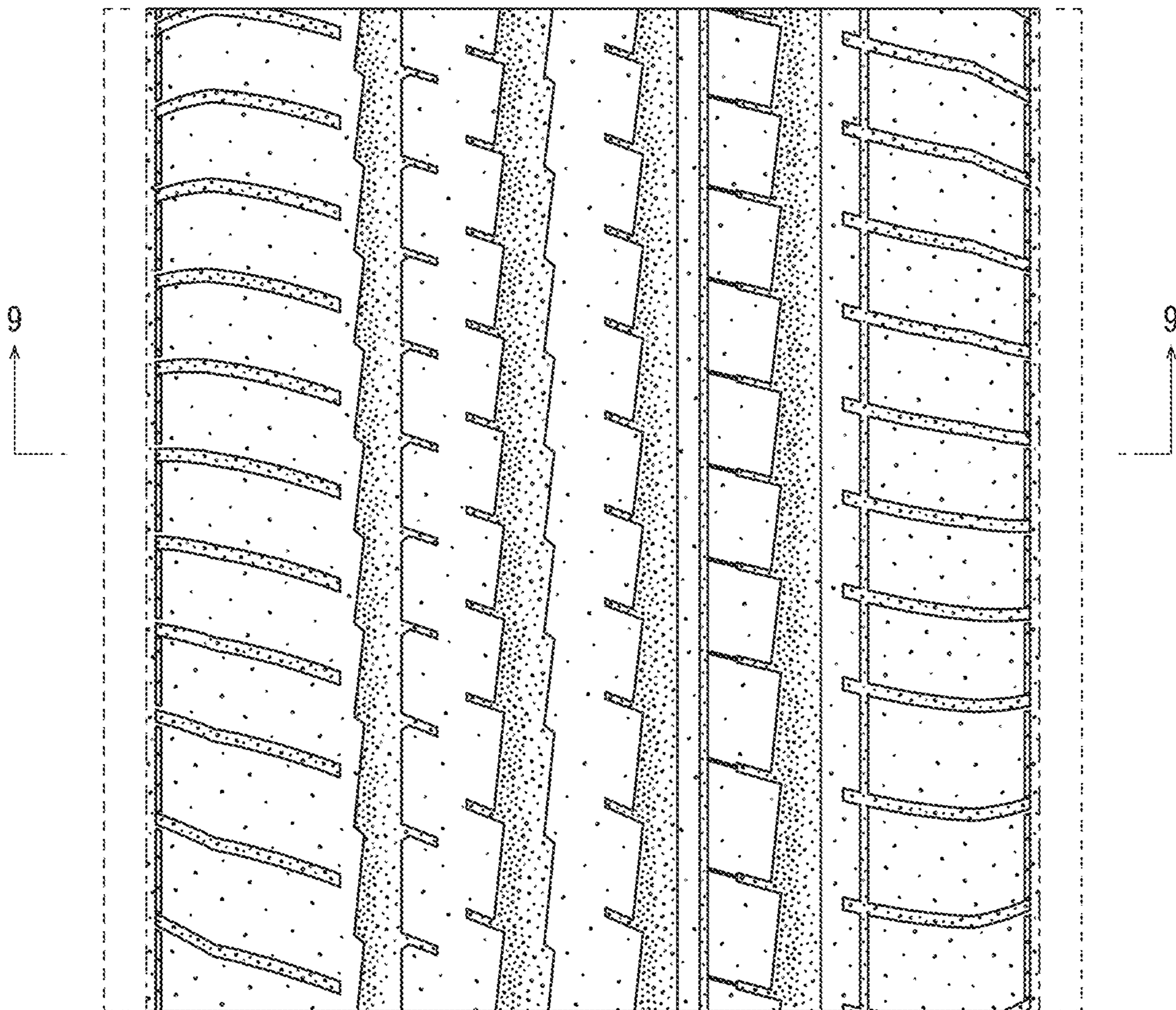


FIG. 9

