



US00D988241S

(12) **United States Design Patent**
Sato

(10) **Patent No.:** **US D988,241 S**

(45) **Date of Patent:** **** Jun. 6, 2023**

(54) **AUTOMOBILE TIRE**

(71) Applicant: **THE YOKOHAMA RUBBER CO., LTD.**, Tokyo (JP)

(72) Inventor: **Shun Sato**, Hiratsuka (JP)

(73) Assignee: **THE YOKOHAMA RUBBER CO., LTD.**, Tokyo (JP)

(**) Term: **15 Years**

(21) Appl. No.: **29/781,626**

(22) Filed: **Apr. 30, 2021**

(30) **Foreign Application Priority Data**

Oct. 30, 2020 (JP) 2020-023548 D

(51) **LOC (14) Cl.** **12-15**

(52) **U.S. Cl.**
USPC **D12/590**

(58) **Field of Classification Search**
USPC D12/568-605, 900, 901
CPC Y10T 152/10027; B60C 1/0016; B60C 11/0306; B60C 11/0302; B60C 3/06; B60C 9/17
See application file for complete search history.

(56) **References Cited**

U.S. PATENT DOCUMENTS

D286,033 S	*	10/1986	Motomura	D12/586
D296,199 S	*	6/1988	Tansei	D12/590
D304,557 S	*	11/1989	Ochiai	D12/588
D316,239 S	*	4/1991	Tsuda	D12/588
D371,756 S	*	7/1996	Kishi	D12/588
D385,236 S	*	10/1997	Taguchi	D12/590
D405,034 S	*	2/1999	Takada	D12/590
D428,368 S	*	7/2000	Harris	D12/586

D451,438 S	*	12/2001	Galante	D12/595
D480,043 S	*	9/2003	Hiroko	D12/590
D488,123 S	*	4/2004	Ooyama	D12/600
D644,598 S	*	9/2011	Yokomakura	D12/586
D789,277 S	*	6/2017	Dixon	D12/518
D880,413 S	*	4/2020	Schultz	D12/594
D900,722 S	*	11/2020	Chu	D12/588

* cited by examiner

Primary Examiner — John A Voytek

(74) *Attorney, Agent, or Firm* — Banner & Witcoff, Ltd.

(57) **CLAIM**

The ornamental design for an automobile tire, as shown and described.

DESCRIPTION

FIG. 1 is a perspective view of an automobile tire showing my design;

FIG. 2 is a front view thereof;

FIG. 3 is a rear view thereof;

FIG. 4 is a right side view thereof;

FIG. 5 is a left side view thereof;

FIG. 6 is a top view thereof;

FIG. 7 is a bottom view thereof;

FIG. 8 is a partially enlarged view of a portion defined by lines 8-8 shown in FIG. 1;

FIG. 9 is a partially enlarged view of a portion defined by lines 9-9 shown in FIG. 2; and,

FIG. 10 is a cross sectional view of a portion defined by lines 10-10 shown in FIG. 9.

In the drawings, the broken lines depict environmental subject matter only and form no part of the claimed design.

The dot and dashed lines represents a boundary between the claimed portion and the non-claimed portion.

1 Claim, 10 Drawing Sheets

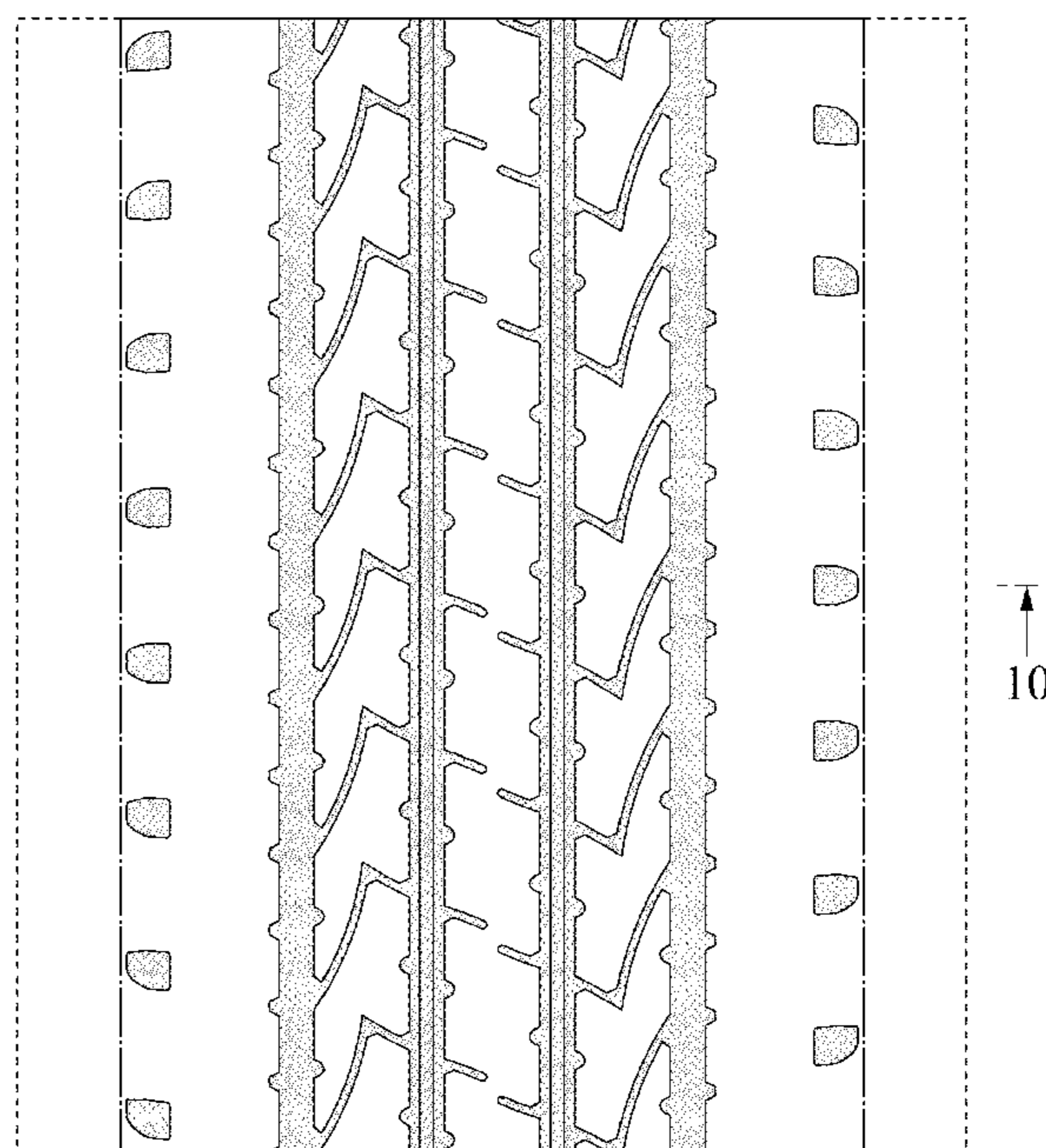
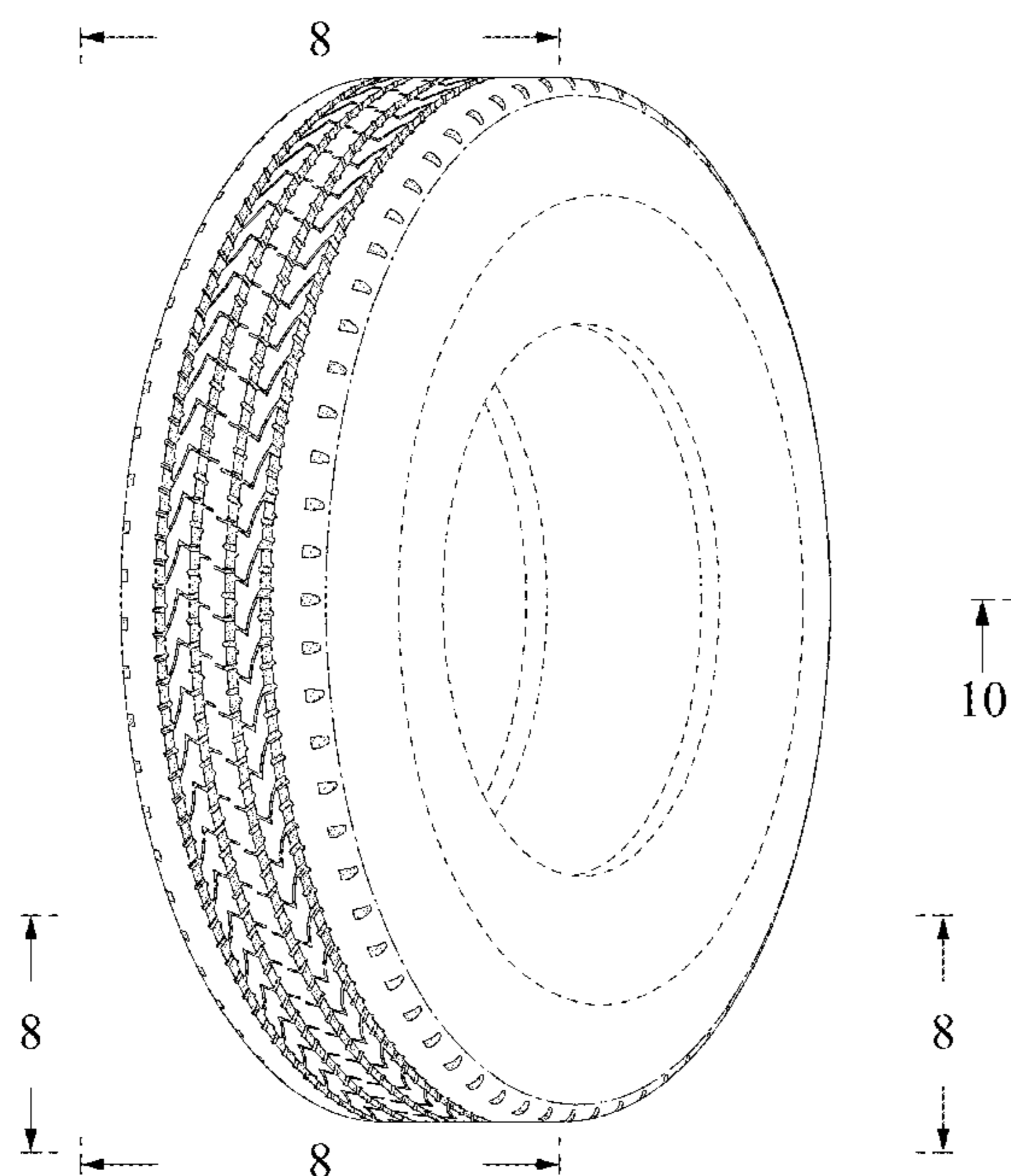


FIG. 1

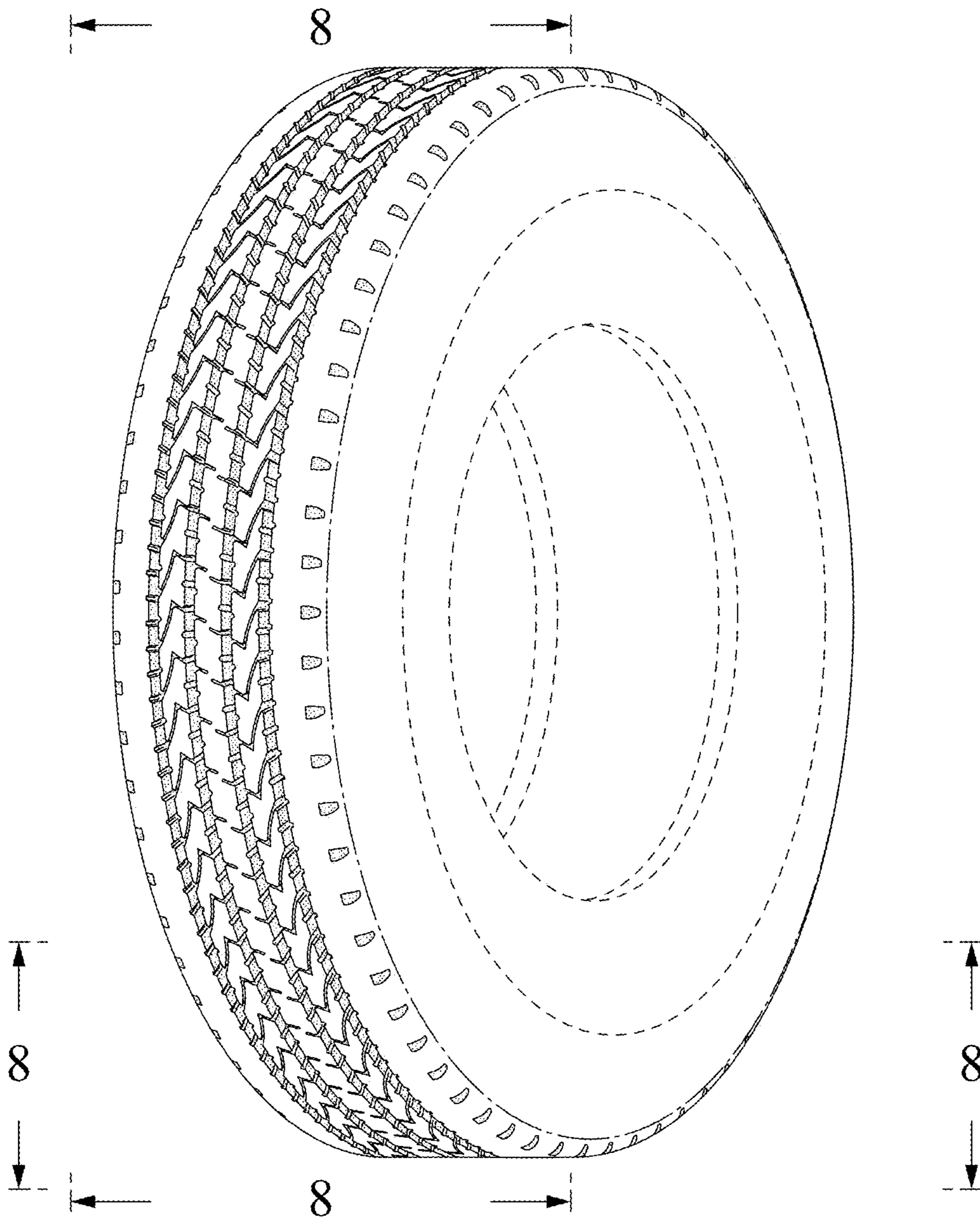


FIG. 2

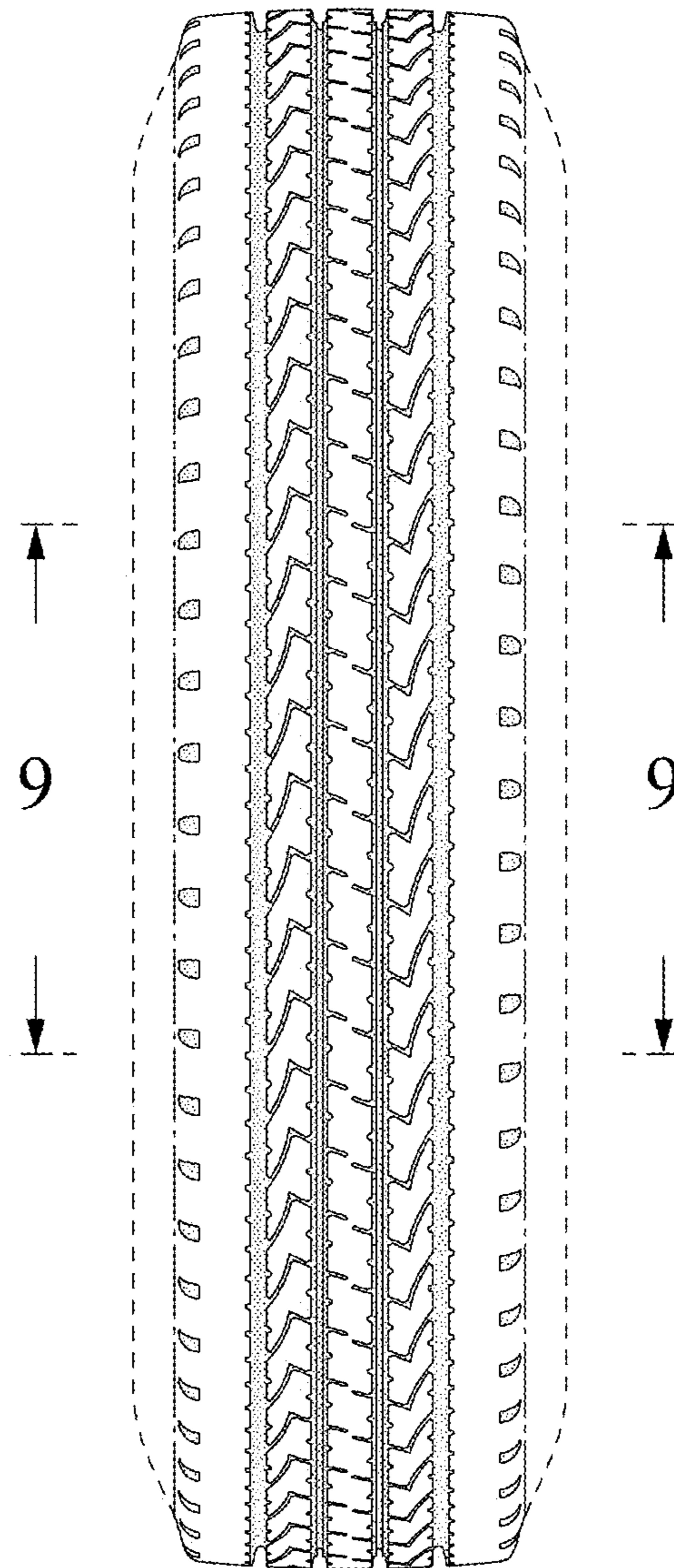


FIG. 3

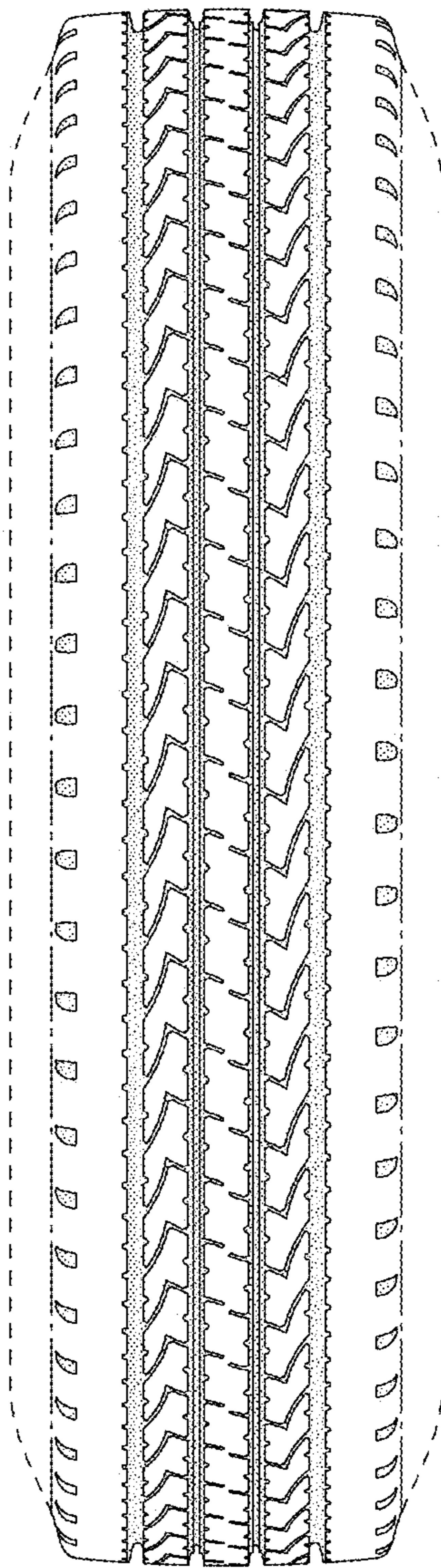


FIG. 4

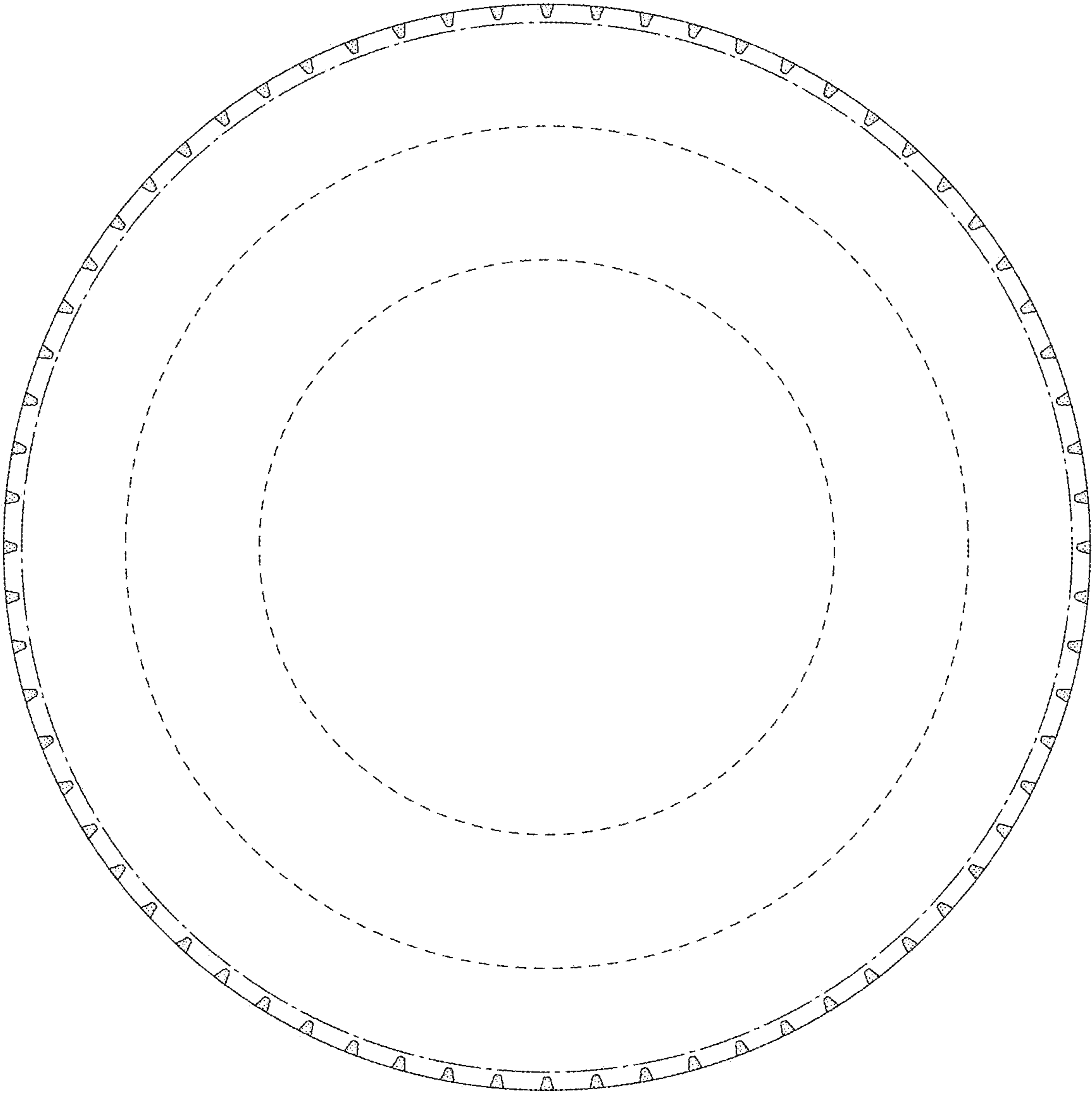


FIG. 5

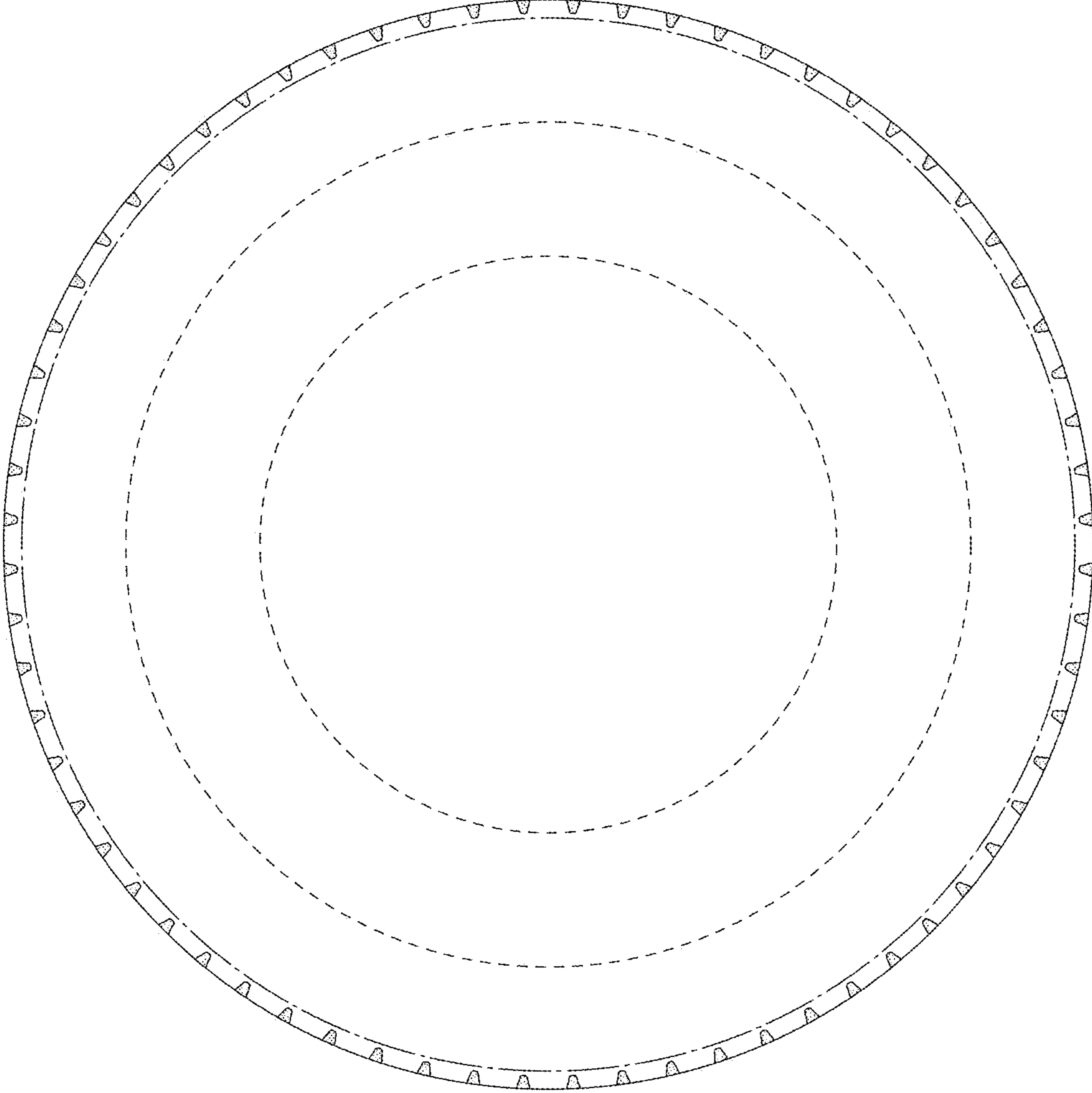


FIG. 6

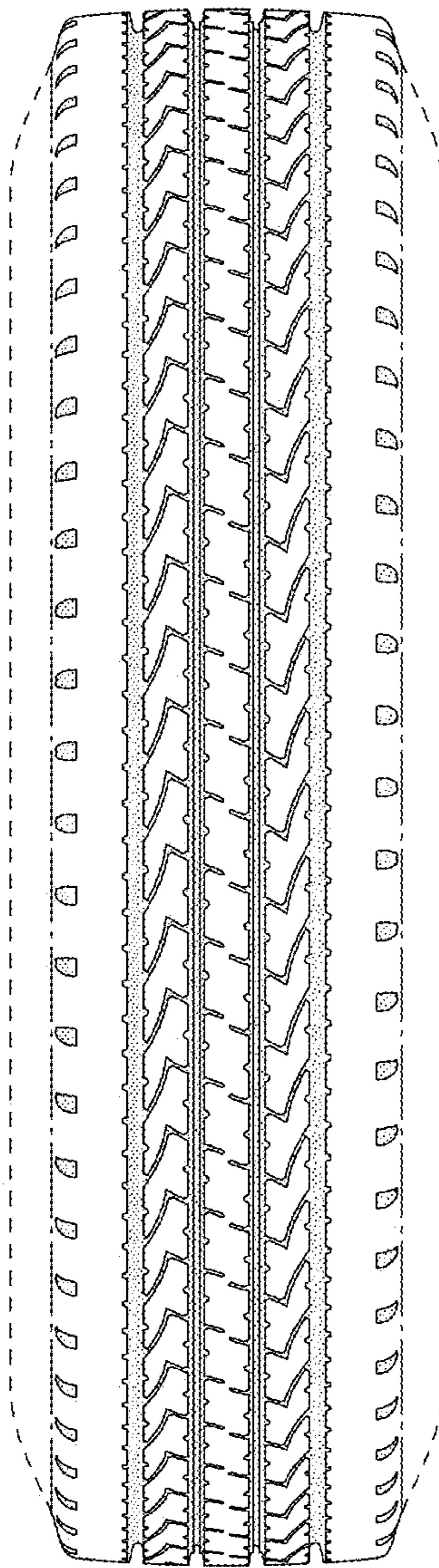


FIG. 7

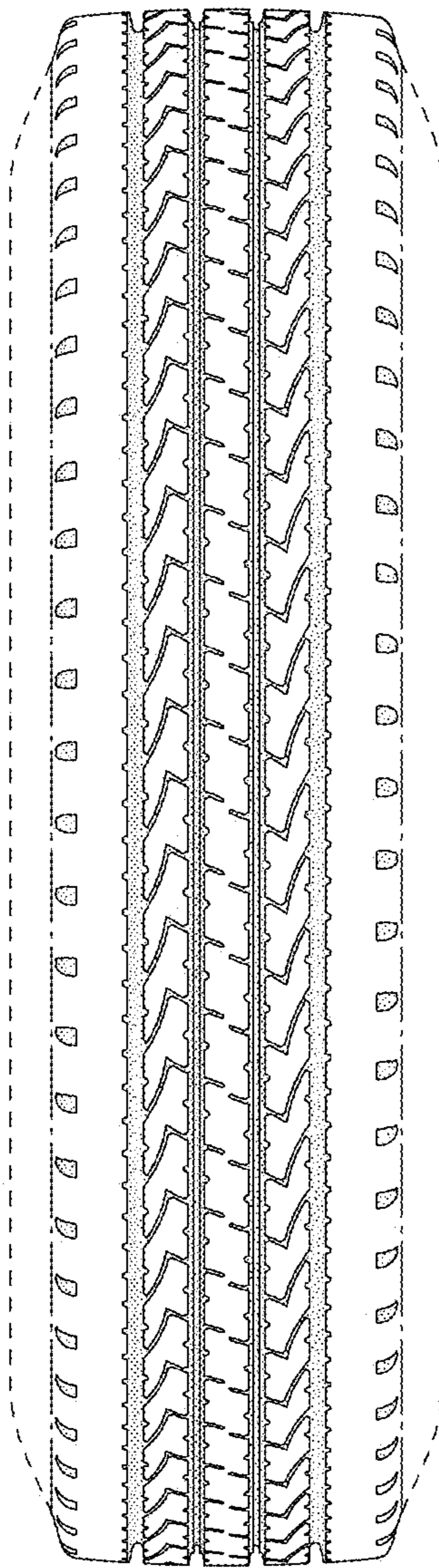


FIG. 8

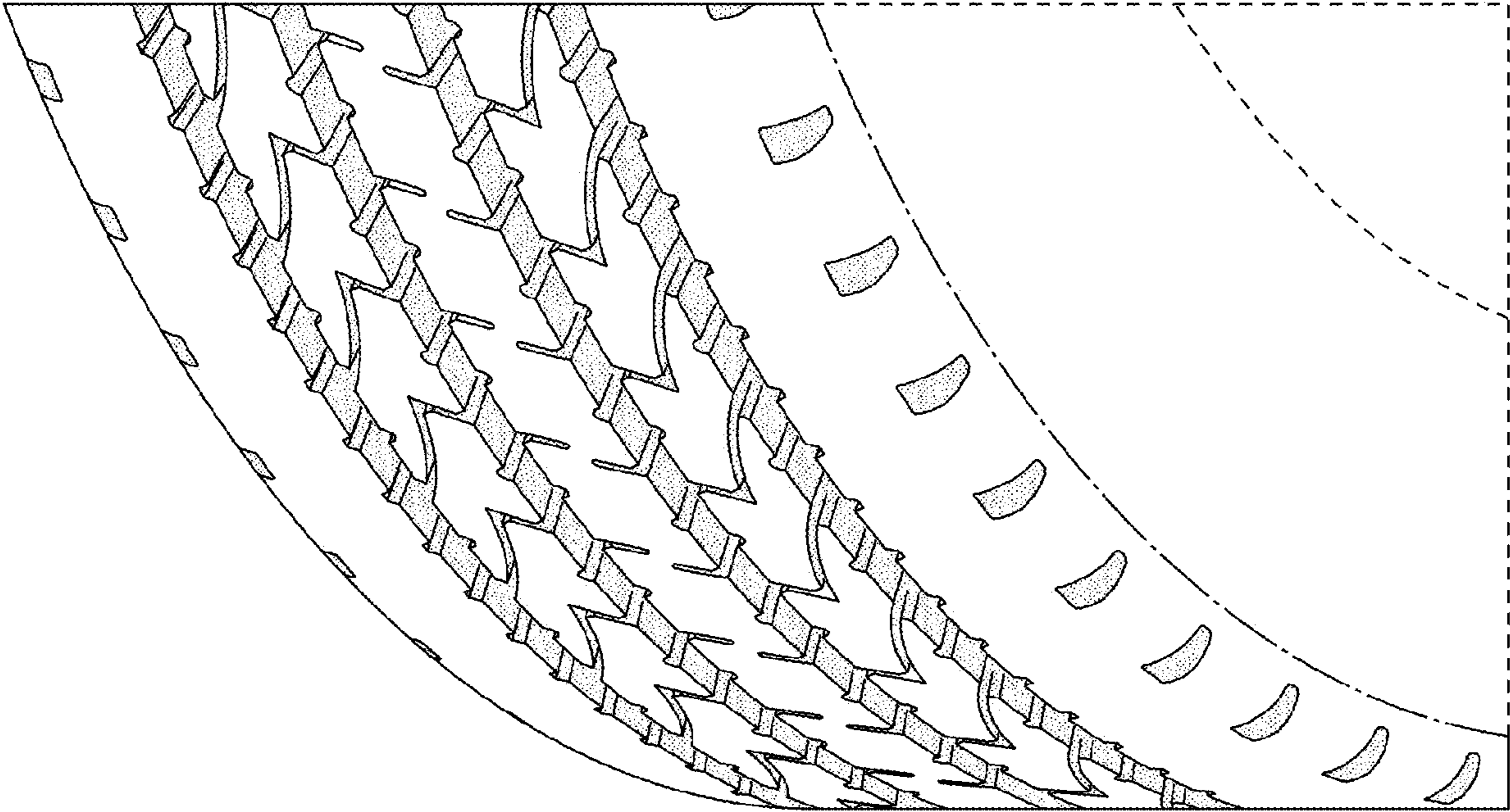


FIG. 9

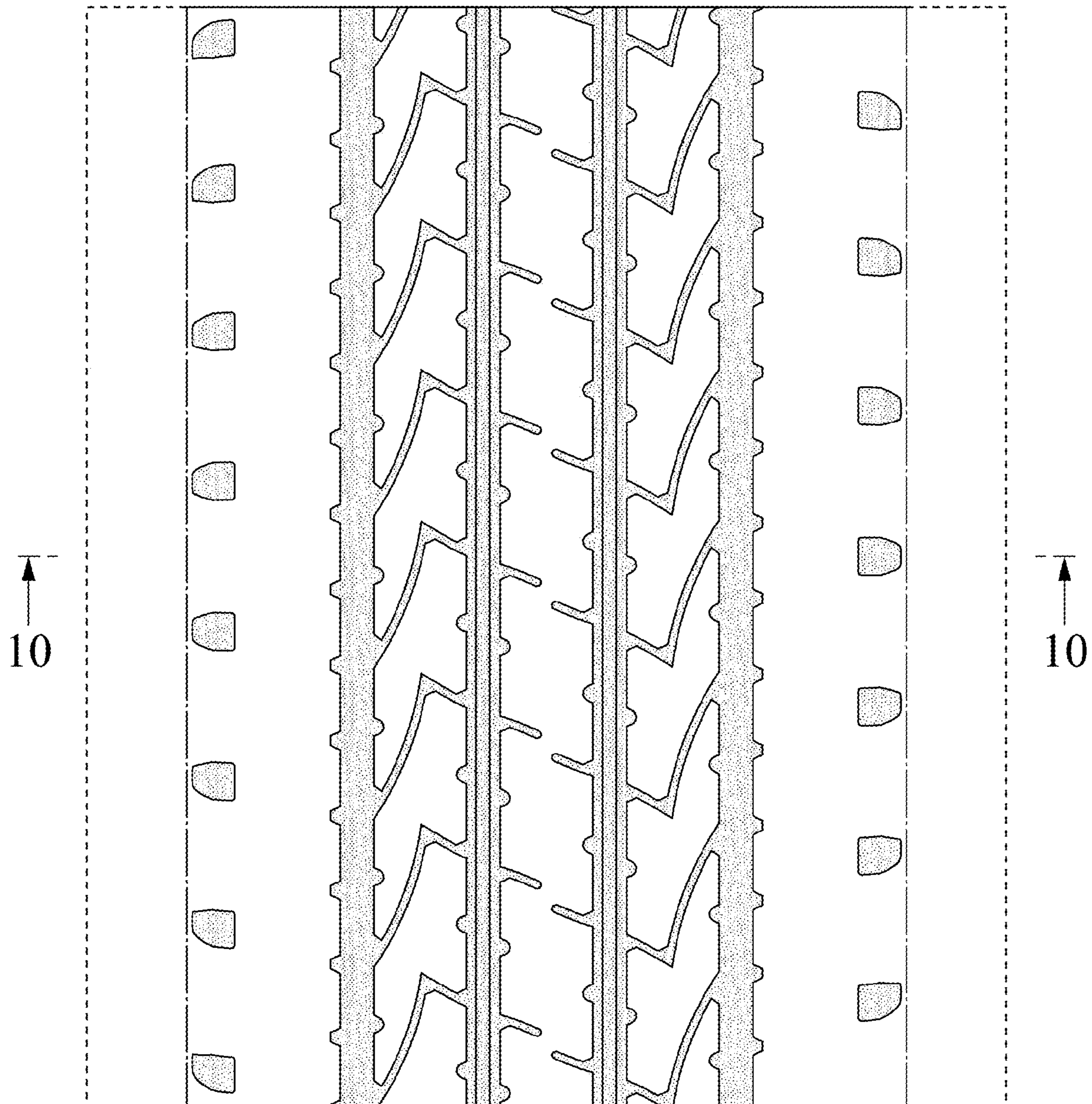


FIG. 10

