



US00D988236S

(12) **United States Design Patent**
Kleinschuster

(10) **Patent No.:** **US D988,236 S**
(45) **Date of Patent:** **** Jun. 6, 2023**

(54) **TIRE**
(71) Applicant: **Custom Wheel House, LLC**, Santa Fe Springs, CA (US)

D621,342 S 8/2010 Osaka
D653,195 S 1/2012 Sareen
D711,814 S 8/2014 Ohara
D732,463 S 6/2015 Petr et al.
D766,165 S * 9/2016 Chen D12/544
D780,098 S 2/2017 Sareen

(72) Inventor: **Sean J. Kleinschuster**, Menifee, CA (US)

(Continued)

(73) Assignee: **CUSTOM WHEEL HOUSE, LLC**, Santa Fe Springs, CA (US)

Primary Examiner — John A Voytek

(74) *Attorney, Agent, or Firm* — Reising Ethington P.C.

(**) Term: **15 Years**

(57) **CLAIM**

The ornamental design for a tire, as shown and described.

(21) Appl. No.: **29/807,823**

DESCRIPTION

(22) Filed: **Sep. 15, 2021**

(51) **LOC (14) Cl.** **12-15**

(52) **U.S. Cl.**
USPC **D12/544; D12/568**

(58) **Field of Classification Search**
USPC D12/568–604, 900, 533–550
CPC Y10T 152/10027; B60C 1/0016; B60C 11/0306; B60C 11/0302; B60C 3/06; B60C 9/17

See application file for complete search history.

FIG. 1 is a perspective view of an embodiment of the tire; FIG. 2 is a side elevation view of the embodiment of the tire of FIG. 1;

FIG. 3 is a front elevation view of the embodiment of the tire of FIG. 1, it being understood that the tire tread pattern repeats uniformly throughout the circumference of the tire; FIG. 4 is a perspective view of another embodiment of the tire;

FIG. 5 is a side elevation view of the embodiment of the tire of FIG. 4;

FIG. 6 is a front elevation view of the embodiment of the tire of FIG. 4, it being understood that the tire tread pattern repeats uniformly throughout the circumference of the tire; FIG. 7 is a perspective view of yet another embodiment of the tire;

FIG. 8 is a side elevation view of the embodiment of the tire of FIG. 7; and,

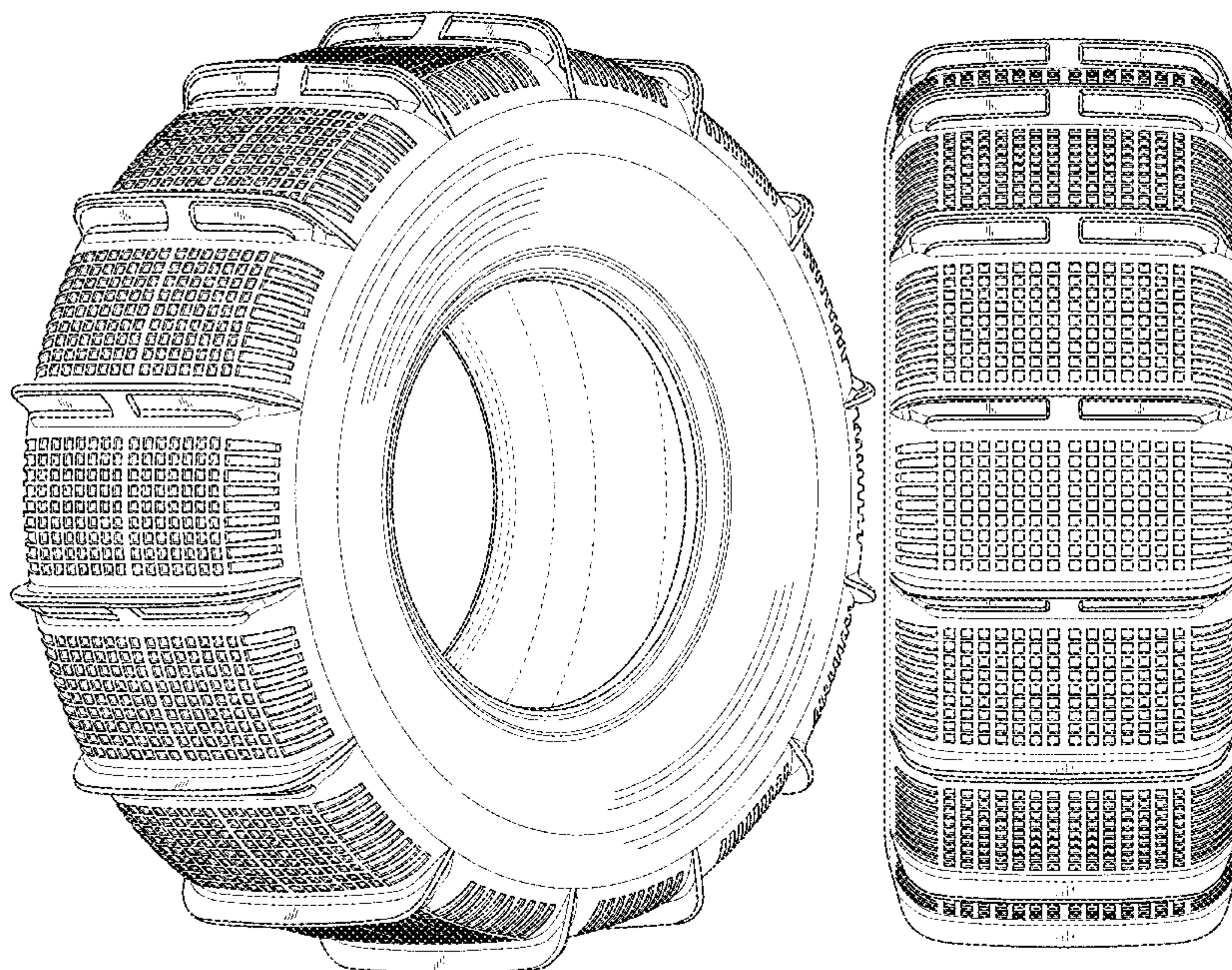
FIG. 9 is a front elevation view of the embodiment of the tire of FIG. 7, it being understood that the tire tread pattern repeats uniformly throughout the circumference of the tire. In the drawings, the broken lines depict environmental subject matter only and do not form any part of the claimed design.

(56) **References Cited**

U.S. PATENT DOCUMENTS

D316,386 S *	4/1991	Fujiki	D12/544
D323,135 S *	1/1992	Thomas	D12/504
D389,103 S	1/1998	Hashimoto et al.	
D414,727 S	10/1999	Brown et al.	
D445,373 S	7/2001	Wohlgamuth	
D449,804 S *	10/2001	Lo	D12/558
D487,055 S	2/2004	Rooney et al.	
D487,056 S	2/2004	Rooney et al.	
D580,347 S	11/2008	Lo	
D603,788 S	11/2009	Lundgren	
D608,272 S	1/2010	Osaka	

1 Claim, 9 Drawing Sheets



(56)

References Cited

U.S. PATENT DOCUMENTS

D790,445 S	6/2017	Fitzgerald et al.	
D791,681 S	7/2017	Zhang et al.	
D792,333 S *	7/2017	Schaedler	D12/592
D806,640 S	1/2018	Petr	
D808,895 S	1/2018	Kreitzman et al.	
D859,297 S	9/2019	Liu	
D869,384 S *	12/2019	Hsueh	D12/544
D879,020 S	3/2020	Sato	
D893,403 S *	8/2020	Xu	D12/544
D902,129 S	11/2020	Kleinschuster et al.	

* cited by examiner

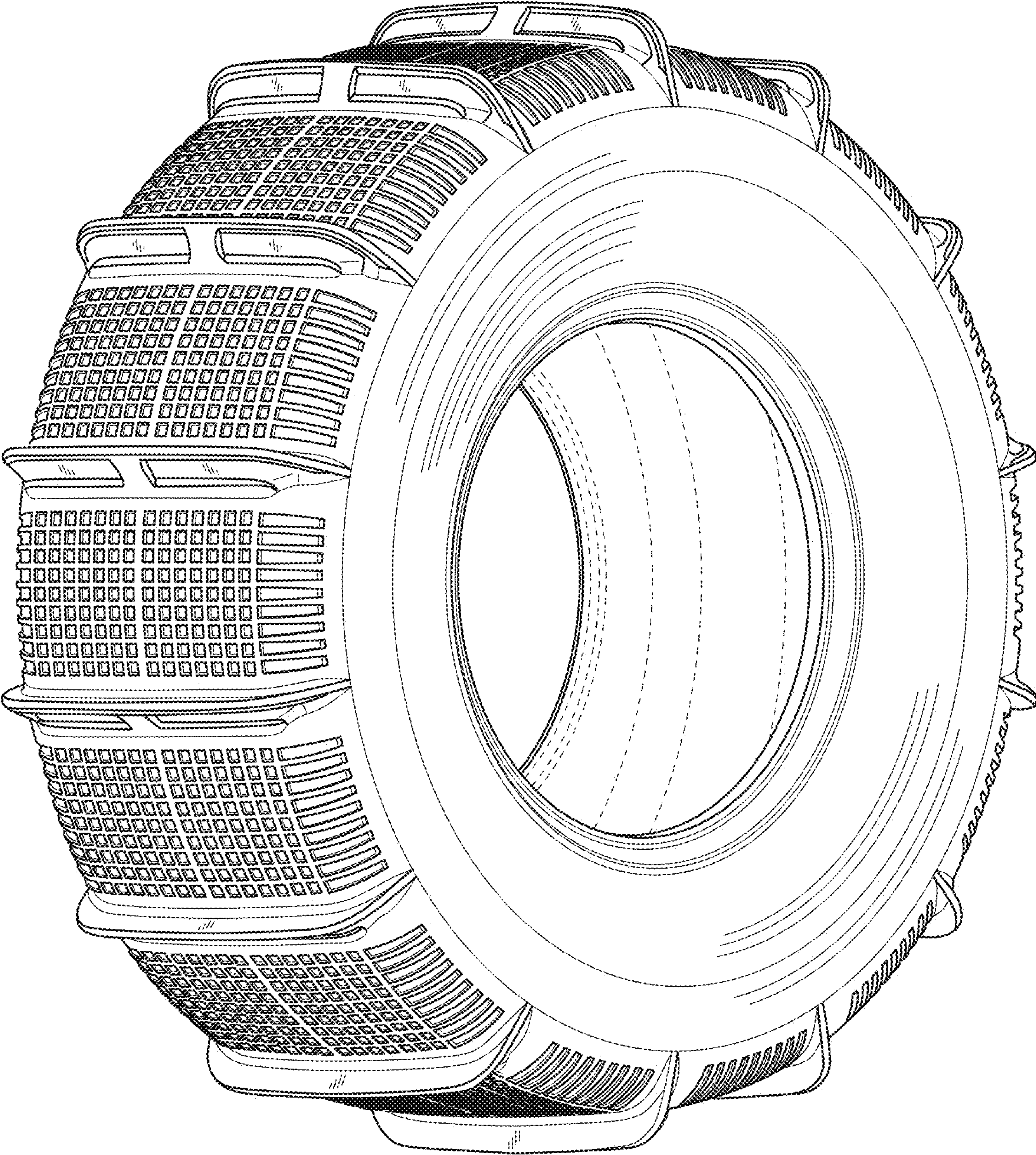


FIG. 1

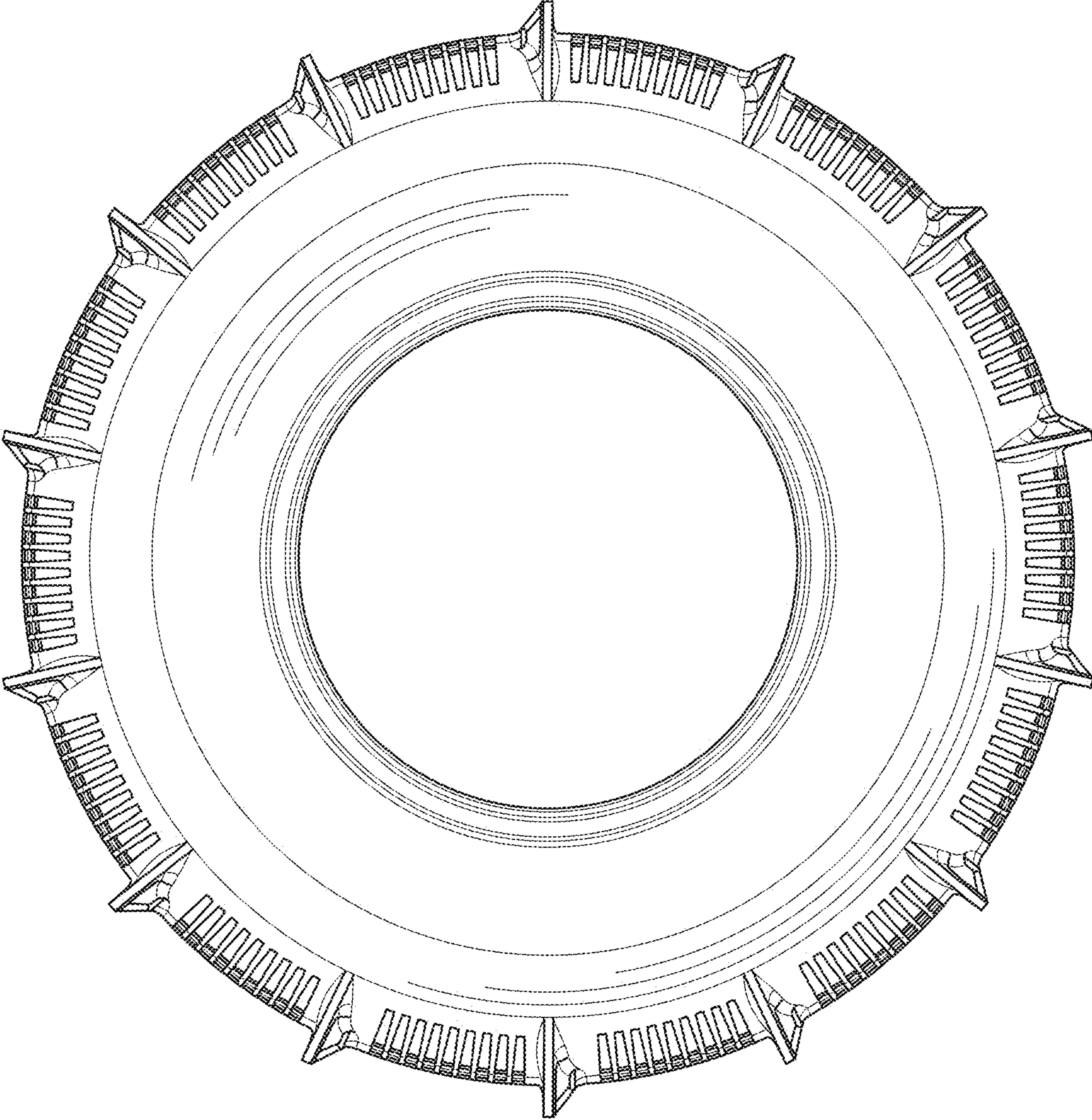


FIG. 2

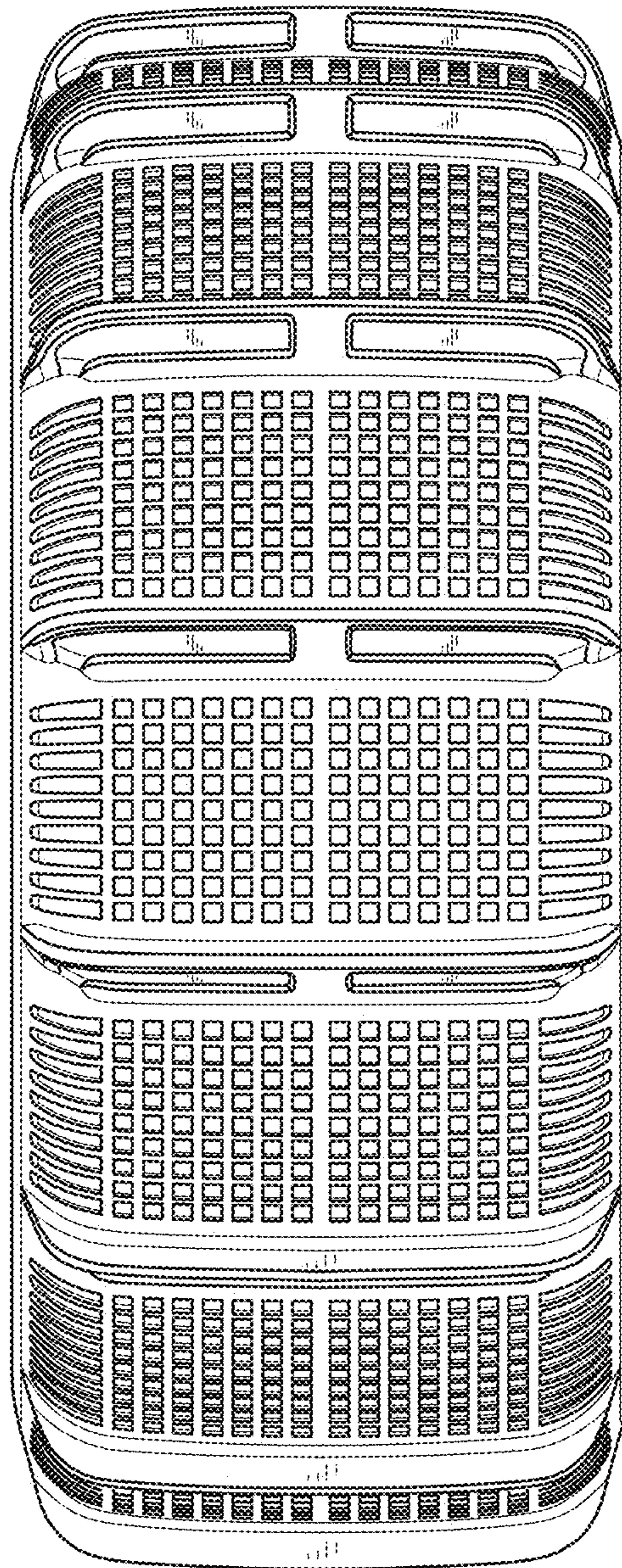


FIG. 3

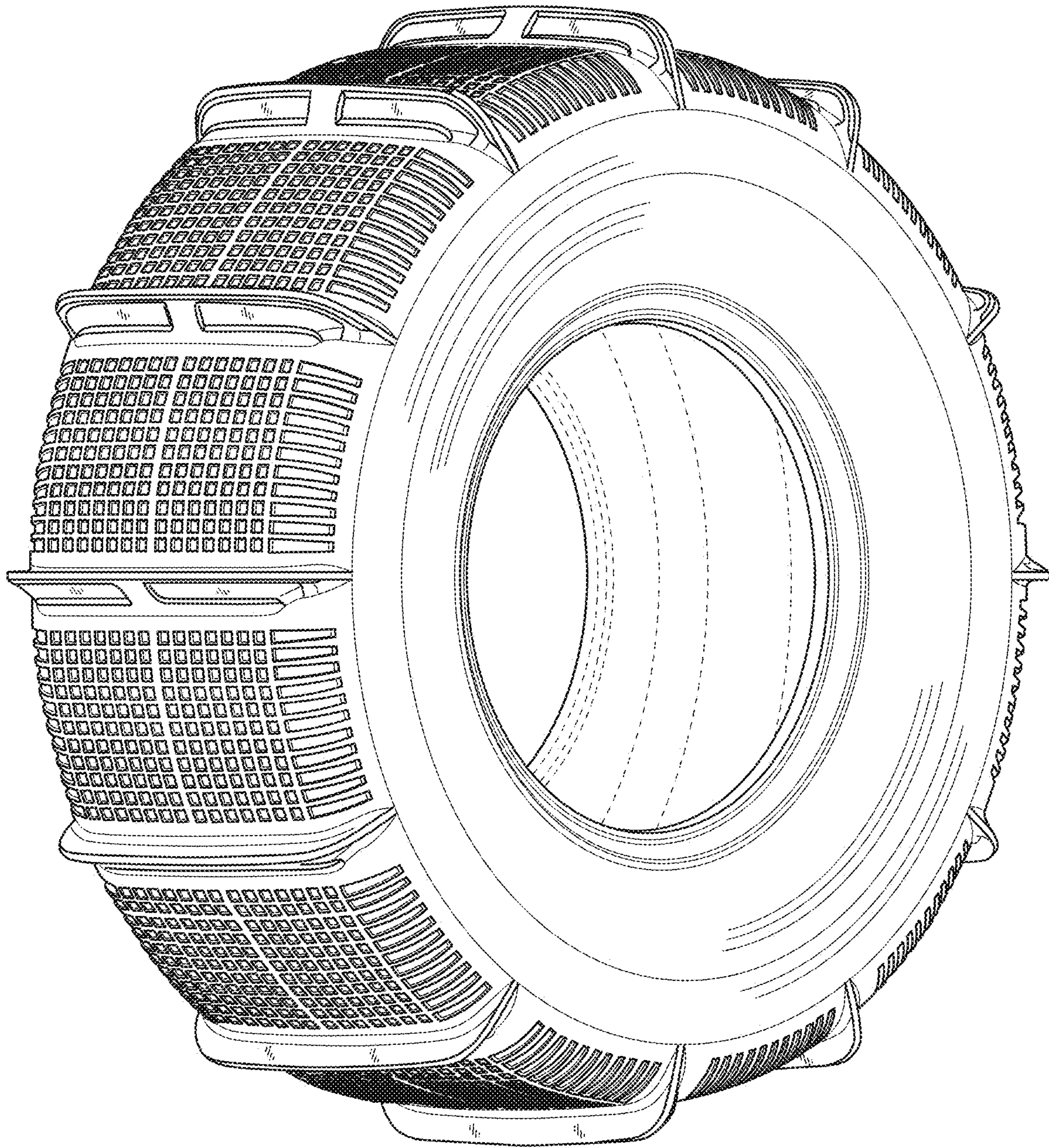


FIG. 4

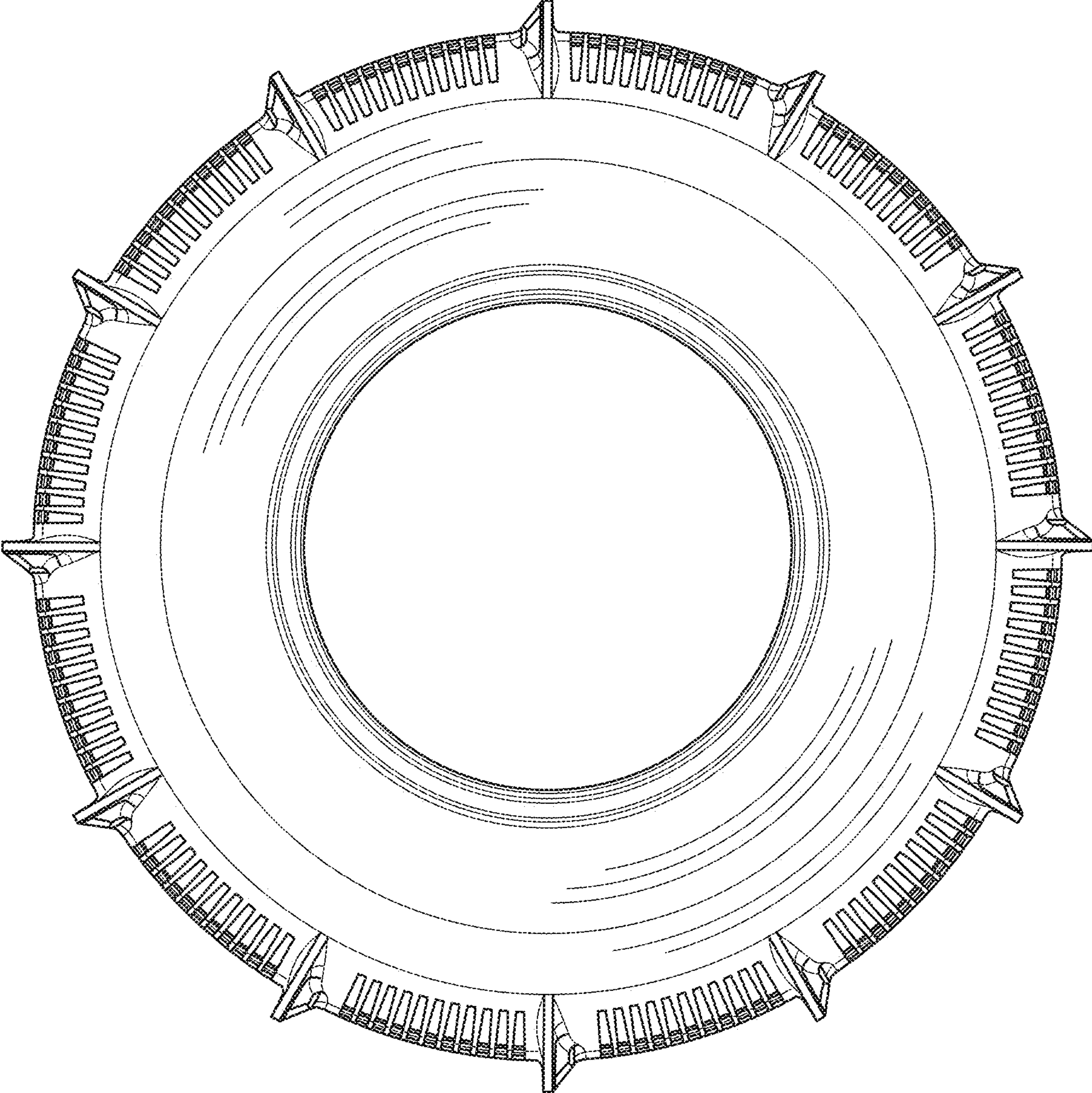


FIG. 5

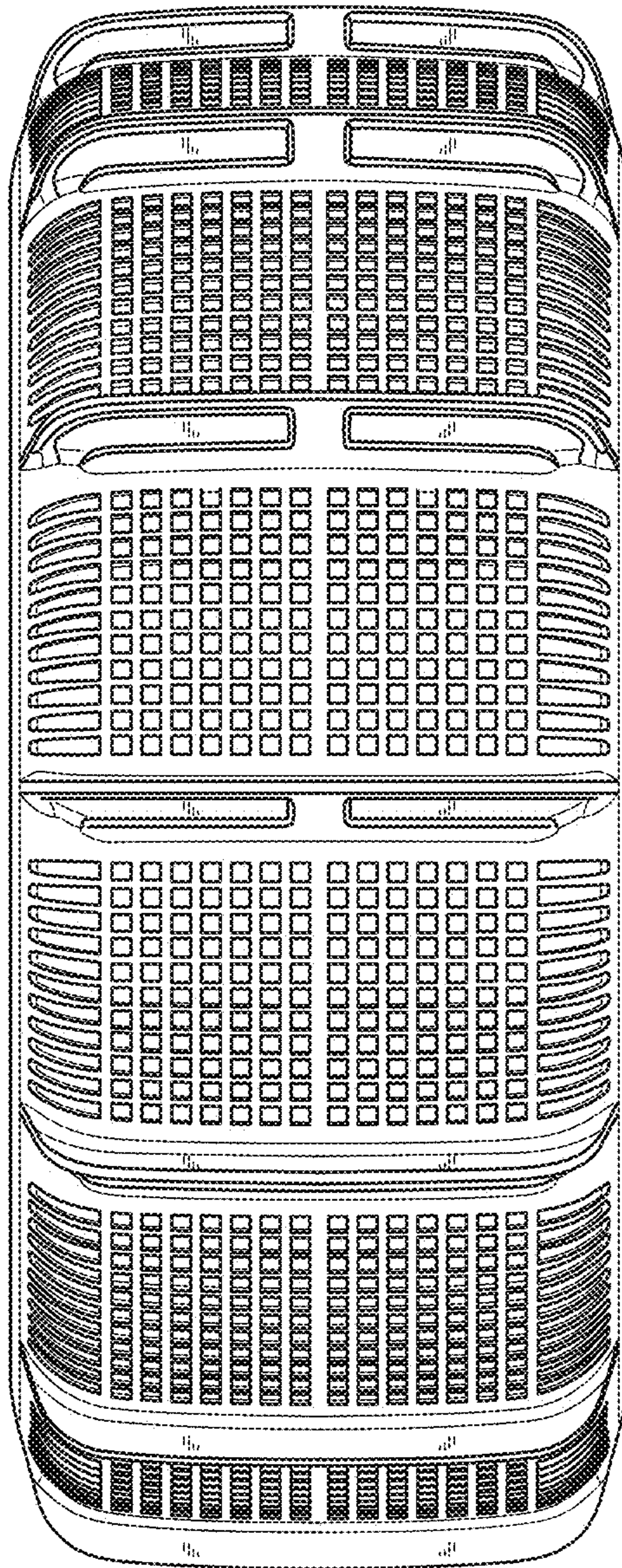


FIG. 6

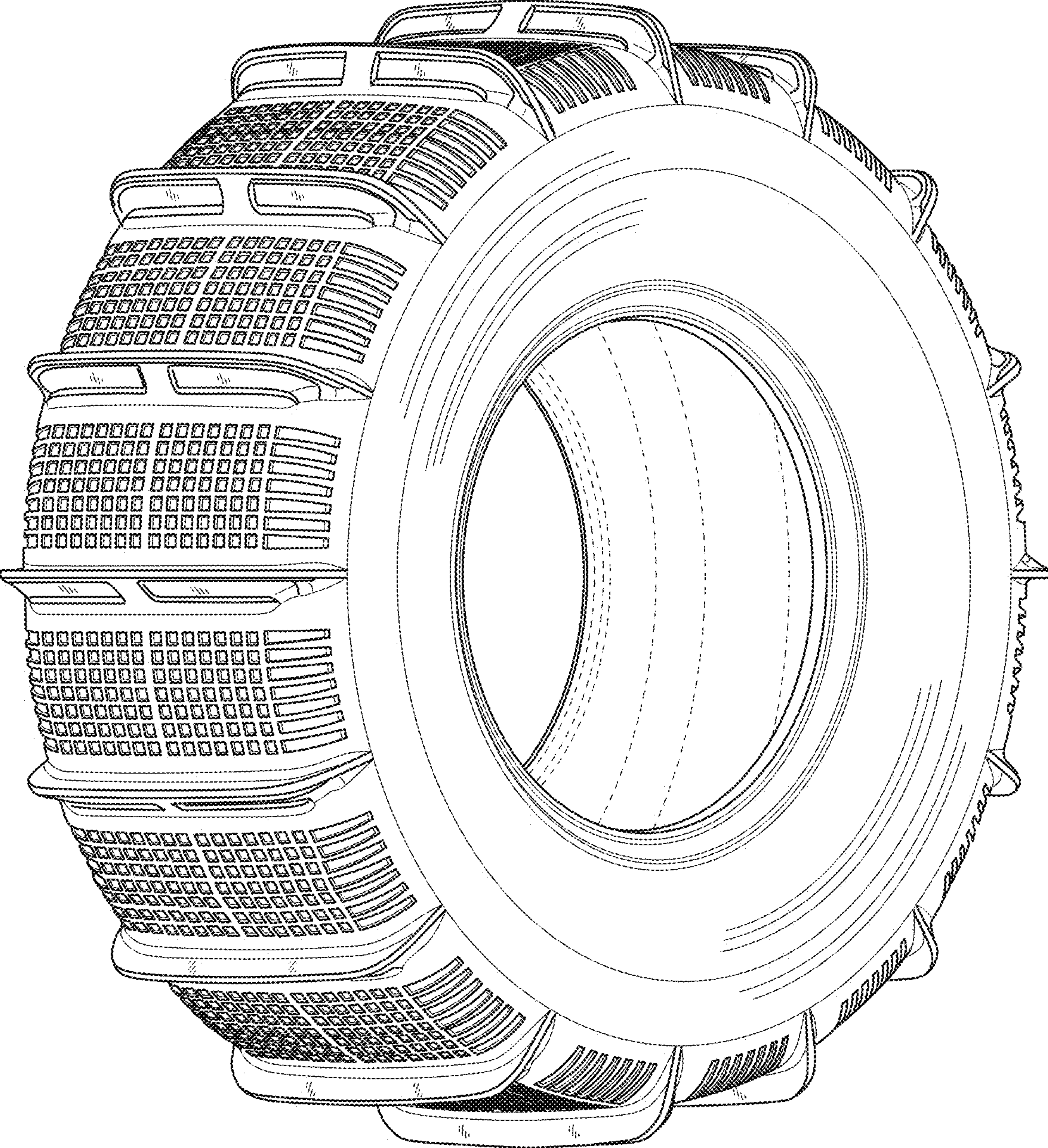


FIG. 7

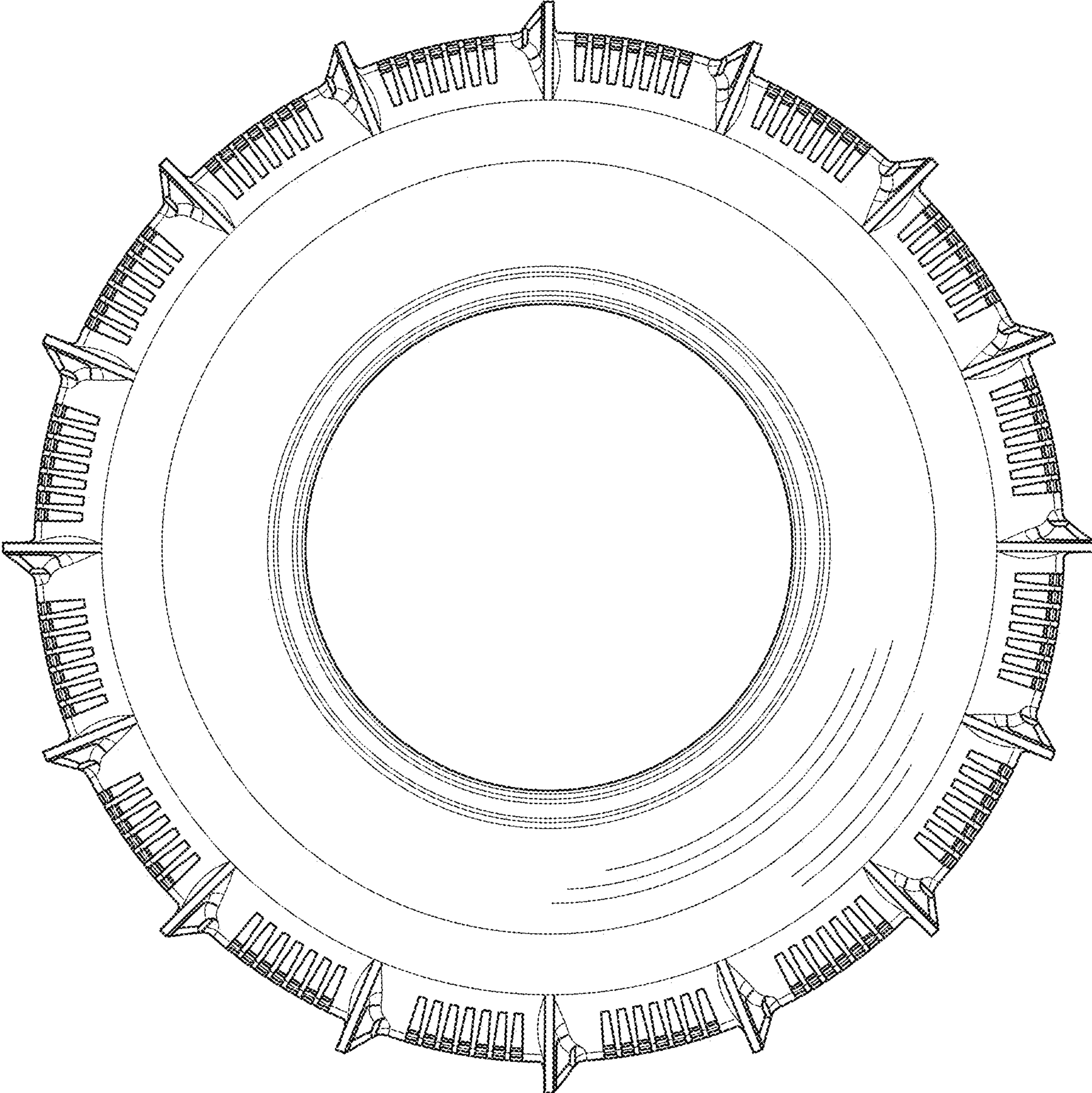


FIG. 8

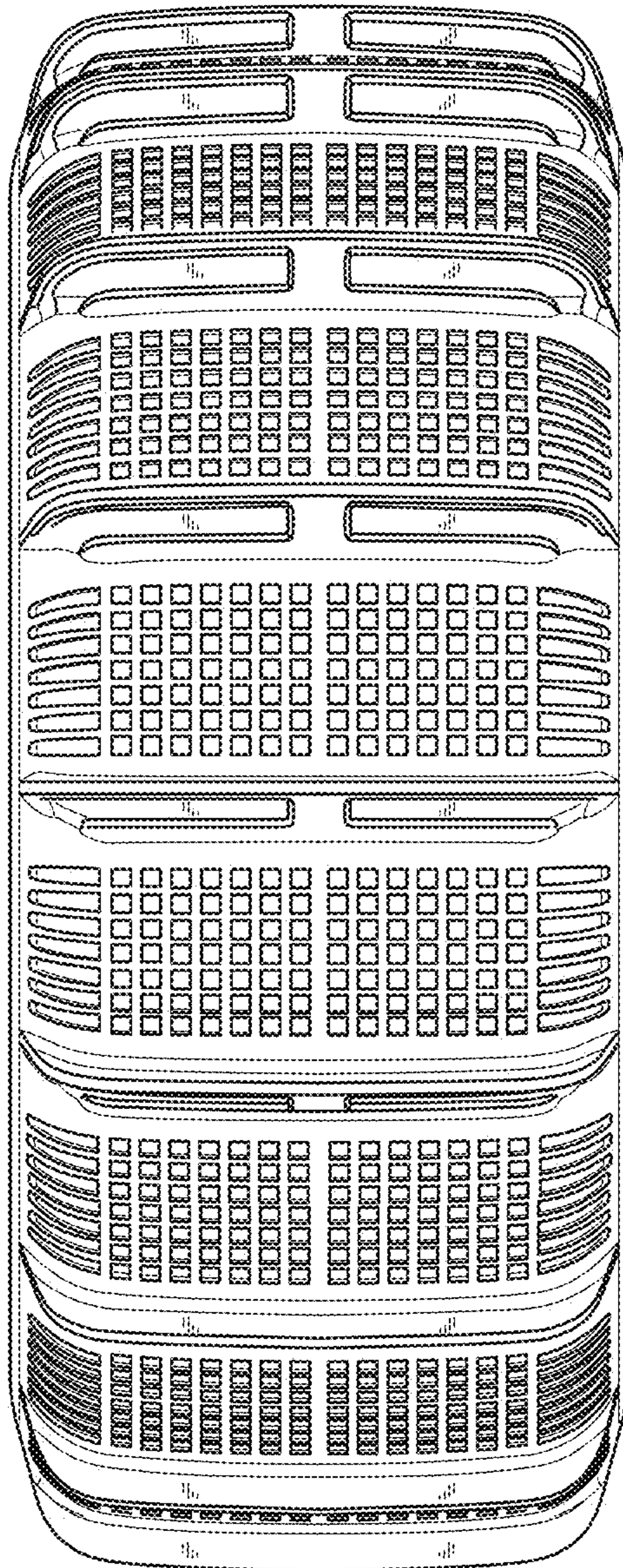


FIG. 9