



US00D988229S

(12) **United States Design Patent**
Wraith et al.

(10) **Patent No.:** **US D988,229 S**
(45) **Date of Patent:** **** Jun. 6, 2023**

(54) **VEHICLE ROOF RACK**

- (71) Applicant: **Ford Global Technologies, LLC**,
Dearborn, MI (US)
- (72) Inventors: **Paul Wraith**, West Bloomfield, MI (US); **Daniel J. Kangas**, Livonia, MI (US); **Dong H. Park**, Canton, MI (US); **Si Jian Guan**, Southfield, MI (US); **Melissa Coolsaet**, Ferndale, MI (US); **Barbara Whalen**, Beverly Hills, MI (US); **Lindsey Grant**, Ferndale, MI (US); **Susan Lampinen**, Pleasant Ridge, MI (US)
- (73) Assignee: **Ford Global Technologies, LLC**,
Dearborn, MI (US)
- (**) Term: **15 Years**
- (21) Appl. No.: **29/755,777**
- (22) Filed: **Oct. 22, 2020**
- (51) **LOC (14) Cl.** **12-16**
- (52) **U.S. Cl.**
USPC **D12/412**
- (58) **Field of Classification Search**
USPC D12/406-414; D32/35, 58; D6/513-514,
D6/317-319
CPC B62J 9/003; B62J 7/06; B62J 9/001
See application file for complete search history.

(56) **References Cited**

U.S. PATENT DOCUMENTS

D772,783 S	*	11/2016	Schleef	D12/412
D815,581 S	*	4/2018	Anderson	D12/406
D865,645 S	*	11/2019	Wissiak	D12/412
D877,041 S	*	3/2020	Moctezuma	D12/412

(Continued)

OTHER PUBLICATIONS

Unknown, Bronco, Filson to Support Forest Firefighters, National Forest Foundation; Reveal Bronco + Filson Wildland Fire Rig Concept, Oct. 22, 2020 <https://www.at.ford.com/en/homepage/news-and-clipsheet/news/2020/10/bronco-filson-to-support-forest-firefighters-national-forest-f.html>.

(Continued)

Primary Examiner — Katrina A Betton

(74) *Attorney, Agent, or Firm* — Vichit Chea

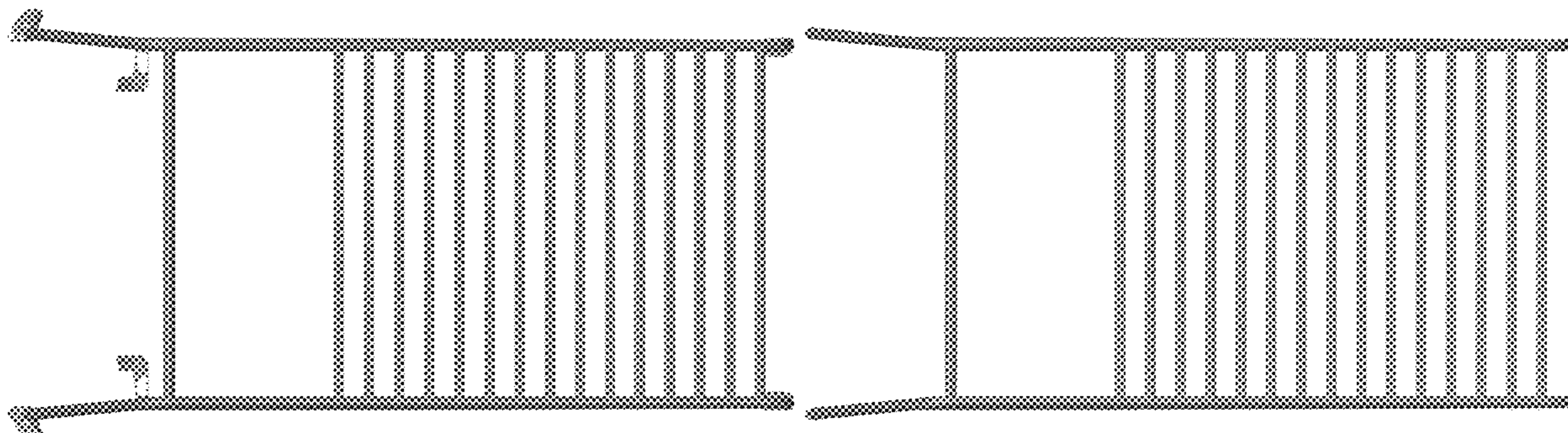
(57) **CLAIM**

The ornamental design for a vehicle roof rack, as shown and described.

DESCRIPTION

FIG. 1 is a front elevational view of a first embodiment of a vehicle roof rack, showing our new design;
 FIG. 2 is a rear elevational view thereof;
 FIG. 3 is a left side elevational view thereof;
 FIG. 4 is a right side elevational view thereof;
 FIG. 5 is a top plan view thereof;
 FIG. 6 is a bottom plan view thereof.
 FIG. 7 is a top, front and left side perspective view thereof; and
 FIG. 8 is a top, rear and left side perspective view thereof.
 FIG. 9 is a front elevational view of a second embodiment of a vehicle roof rack, showing our new design;
 FIG. 10 is a rear elevational view thereof;
 FIG. 11 is a left side elevational view thereof;
 FIG. 12 is a right side elevational view thereof;
 FIG. 13 is a top plan view thereof;
 FIG. 14 is a bottom plan view thereof.
 FIG. 15 is a top, front and left side perspective view thereof; and,
 FIG. 16 is a top, rear and left side perspective view thereof.
 The claimed design is indicated by the relatively dark portions in the figures. The de-emphasized and relatively light portions form no part of the claimed design.

1 Claim, 16 Drawing Sheets



(56)

References Cited

U.S. PATENT DOCUMENTS

D893,397 S *	8/2020	Ekstrom	D12/406
D902,127 S *	11/2020	Ajam	D12/412
D912,605 S *	3/2021	Miller	D12/412
D913,197 S *	3/2021	Badillo	D12/412
D915,269 S *	4/2021	Badillo	D12/412
D930,553 S *	9/2021	Suckling	D12/412
D944,182 S *	2/2022	Badillo	D12/412
D957,309 S *	7/2022	Su	D12/412

OTHER PUBLICATIONS

Unknown, Bronco, The Bronco + Filson Wildland Fire Rig concept vehicle, Oct. 22, 2020 <https://www.facebook.com/ford/posts/10158544622975049>.

* cited by examiner

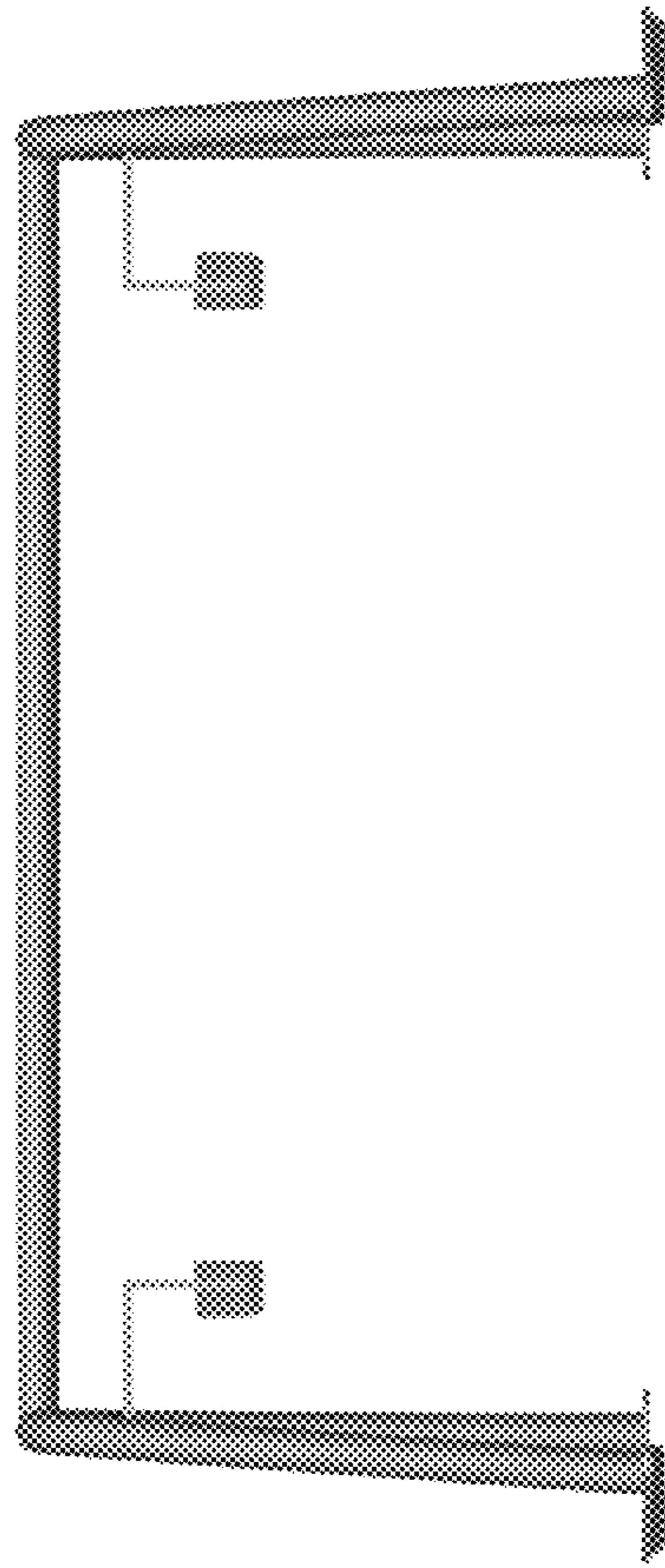


Fig. 1

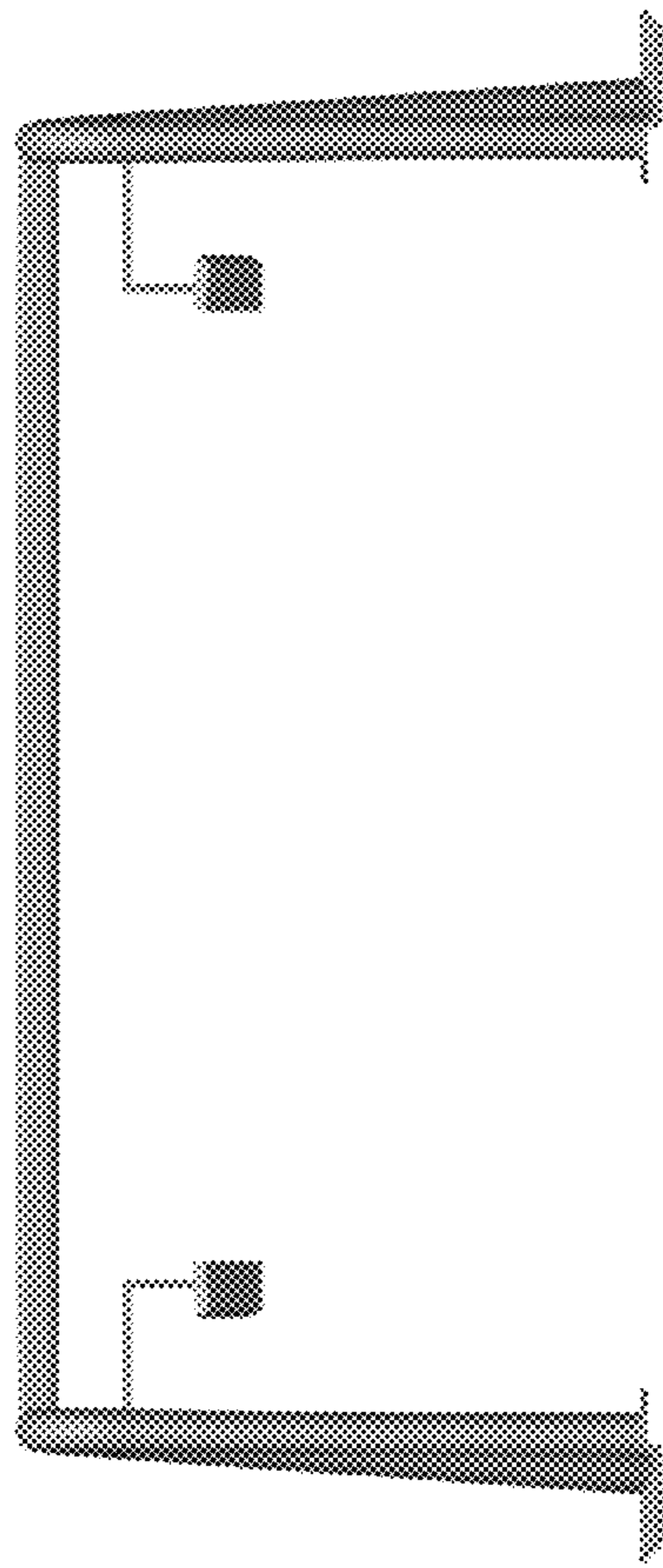


Fig. 2

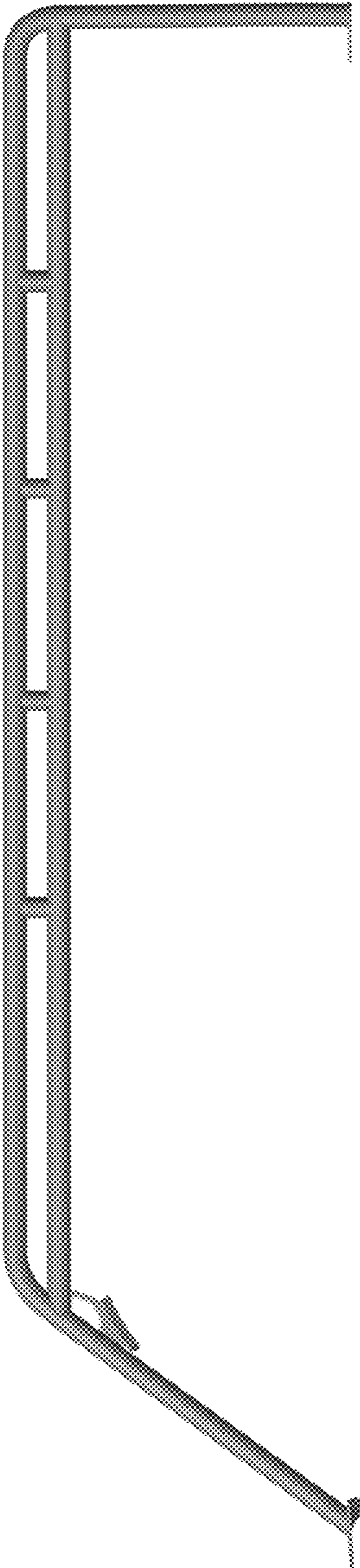


Fig. 3

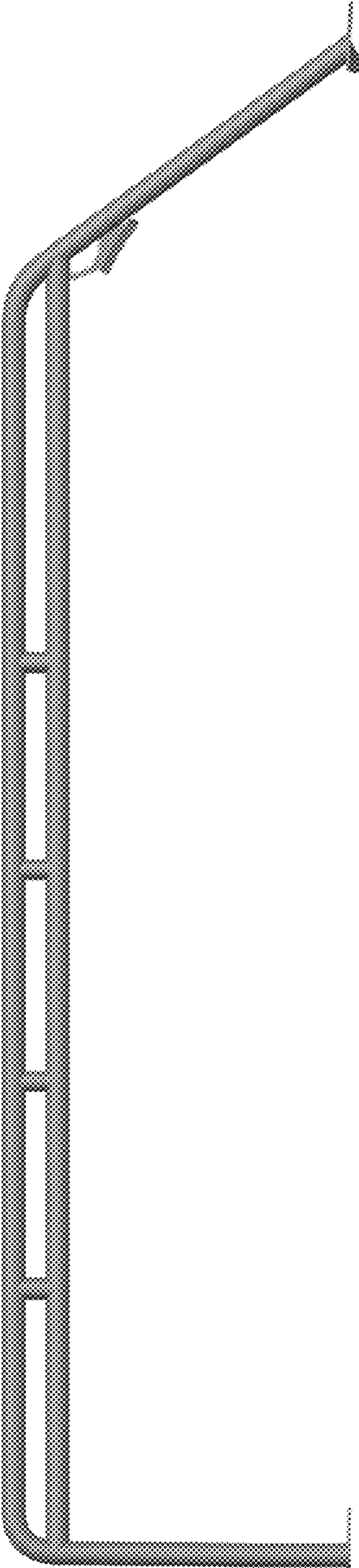


Fig.4

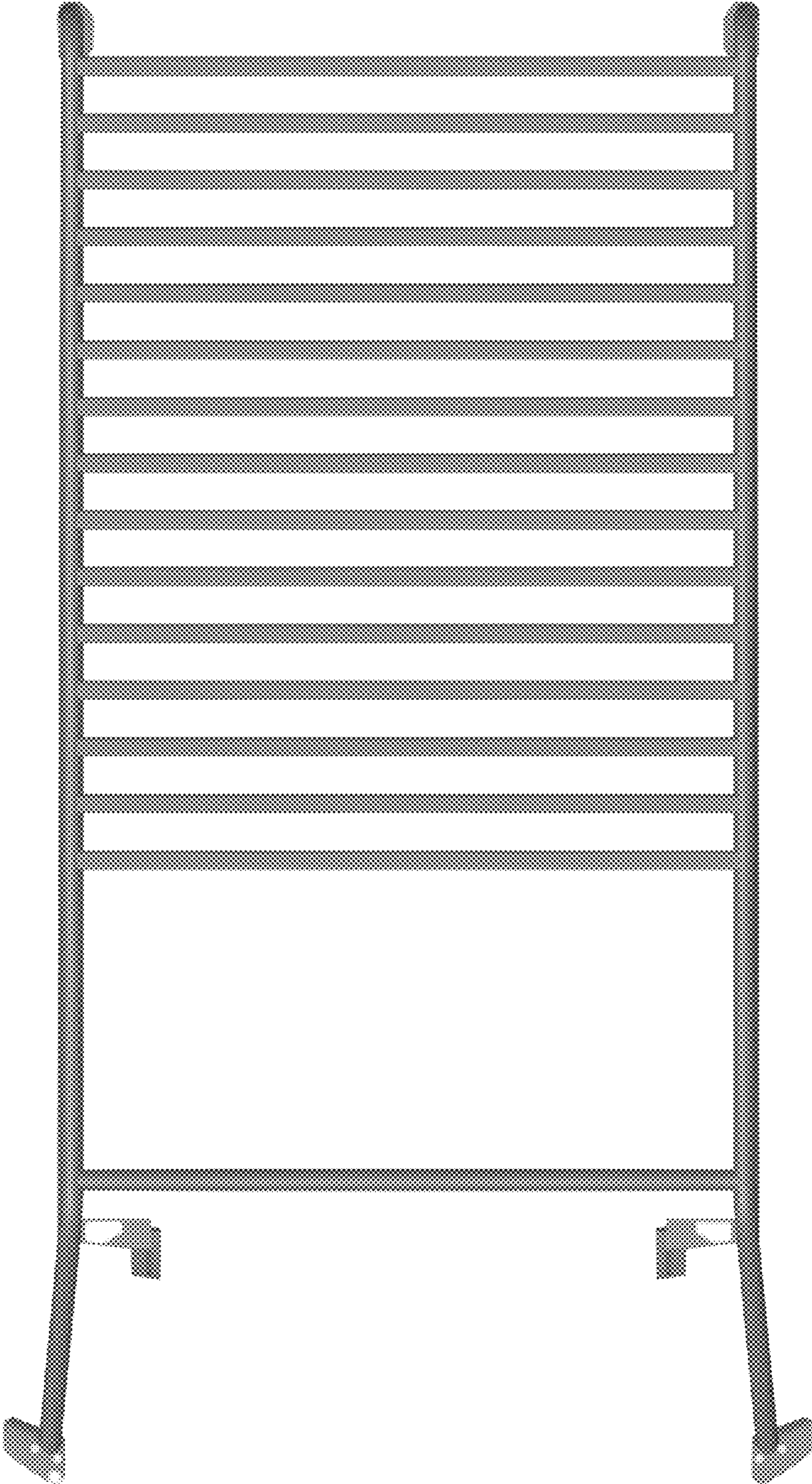


Fig. 5

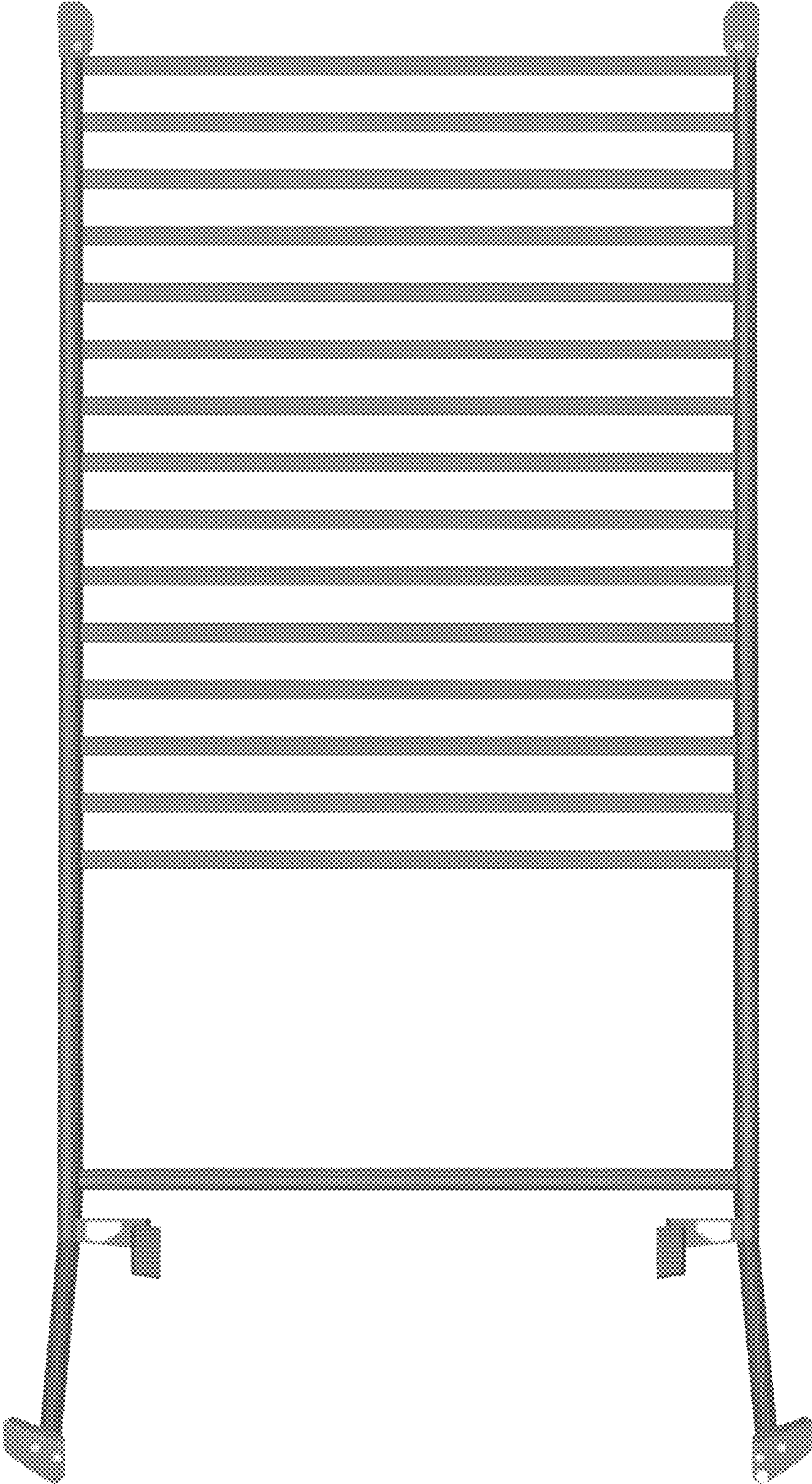


Fig. 6

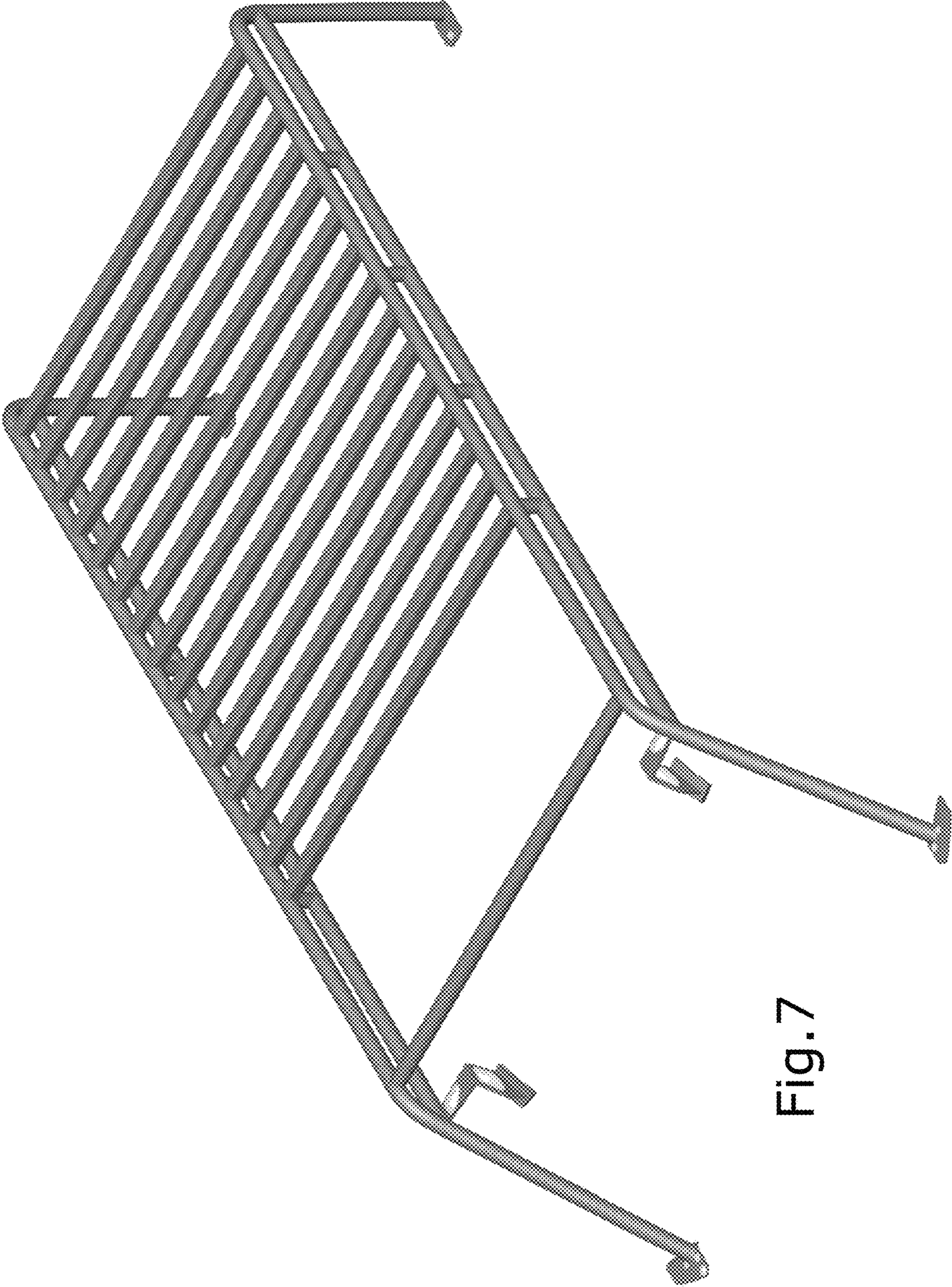


Fig. 7

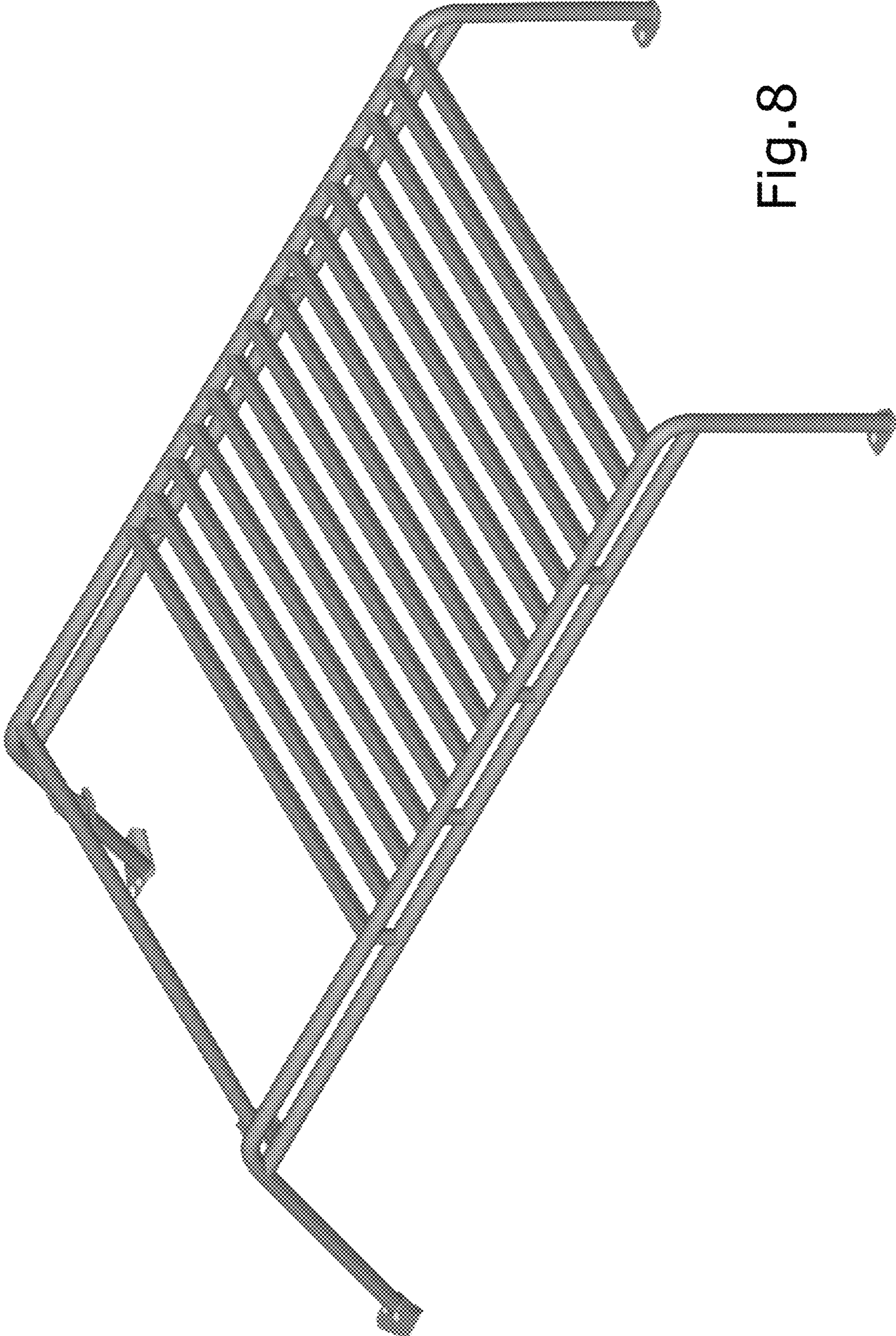


Fig. 8

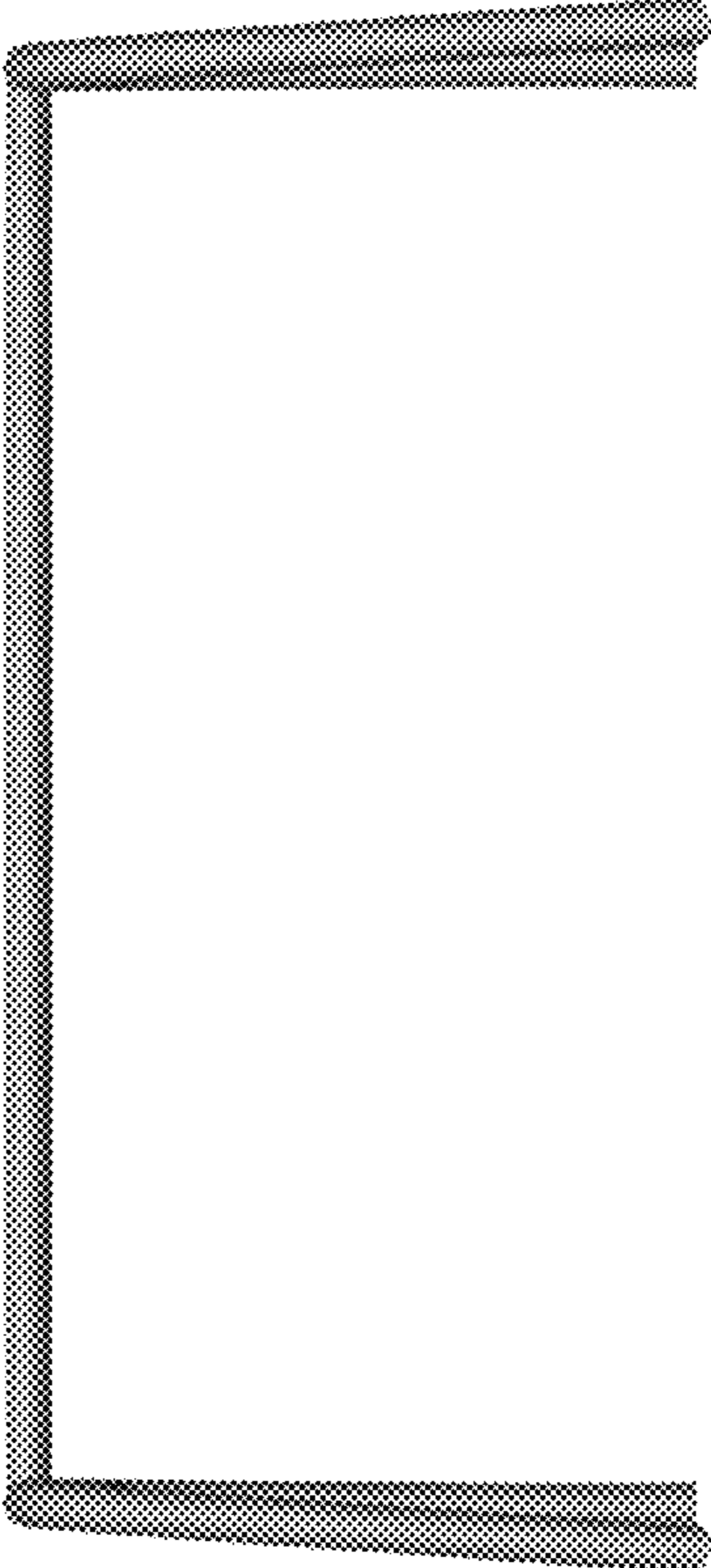


Fig. 9

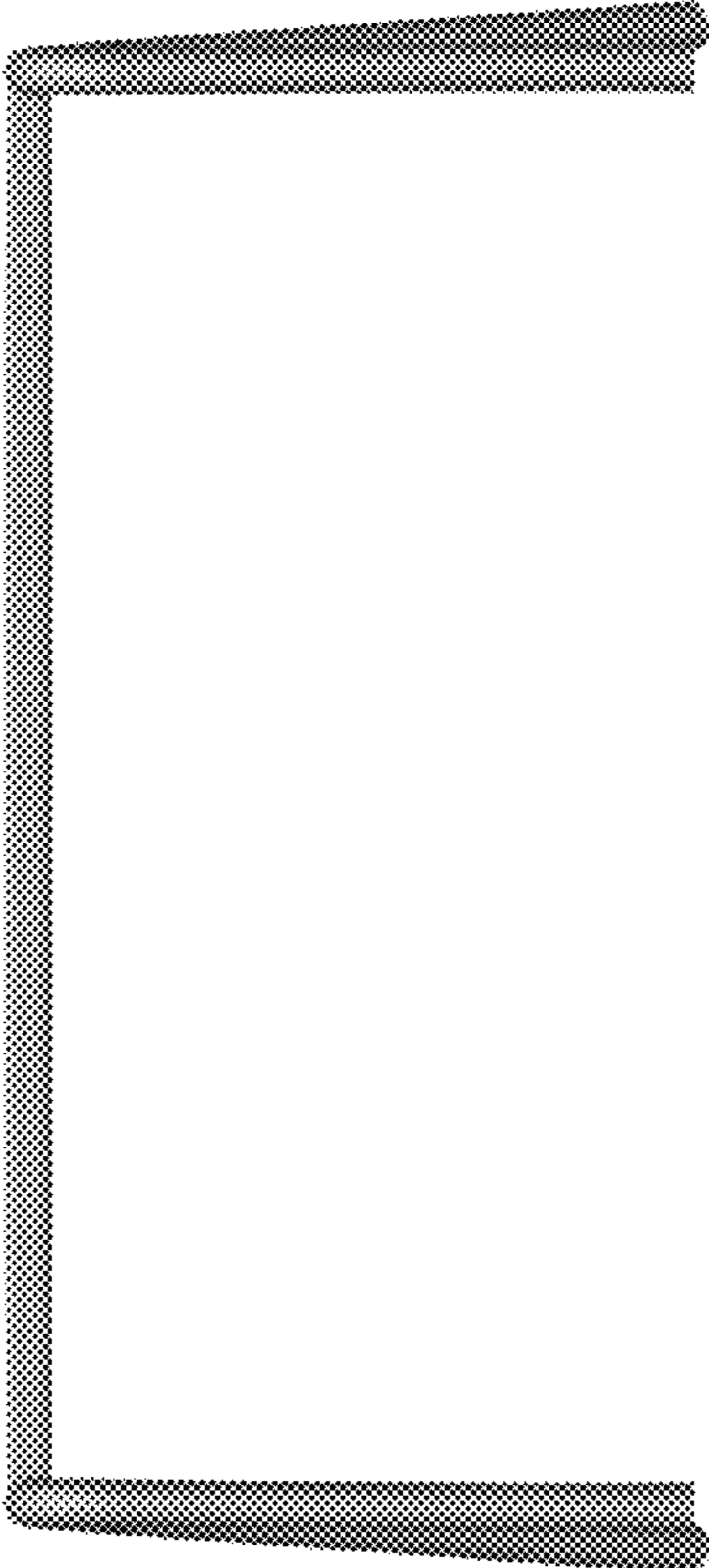


Fig. 10

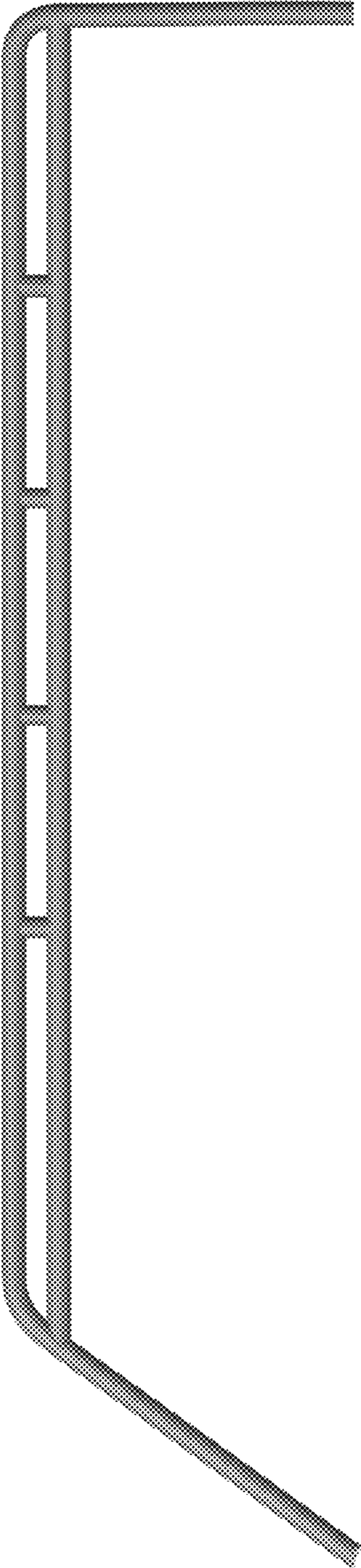


Fig. 11

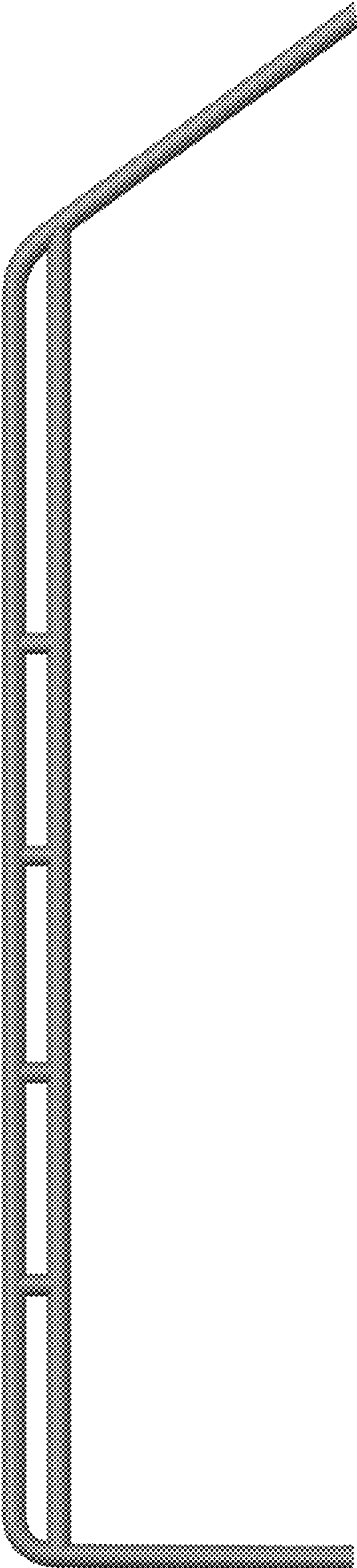


Fig. 12

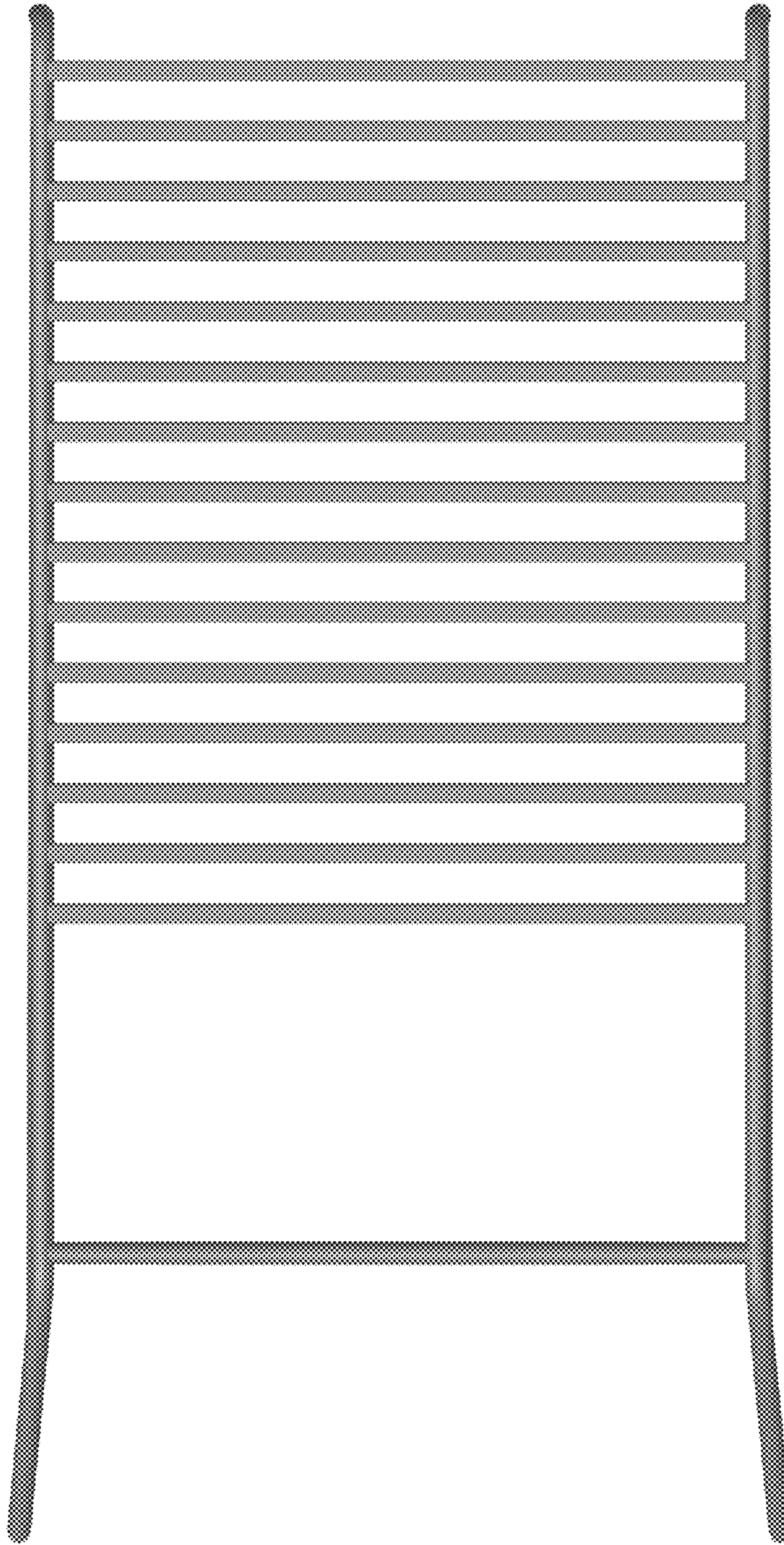


Fig. 13

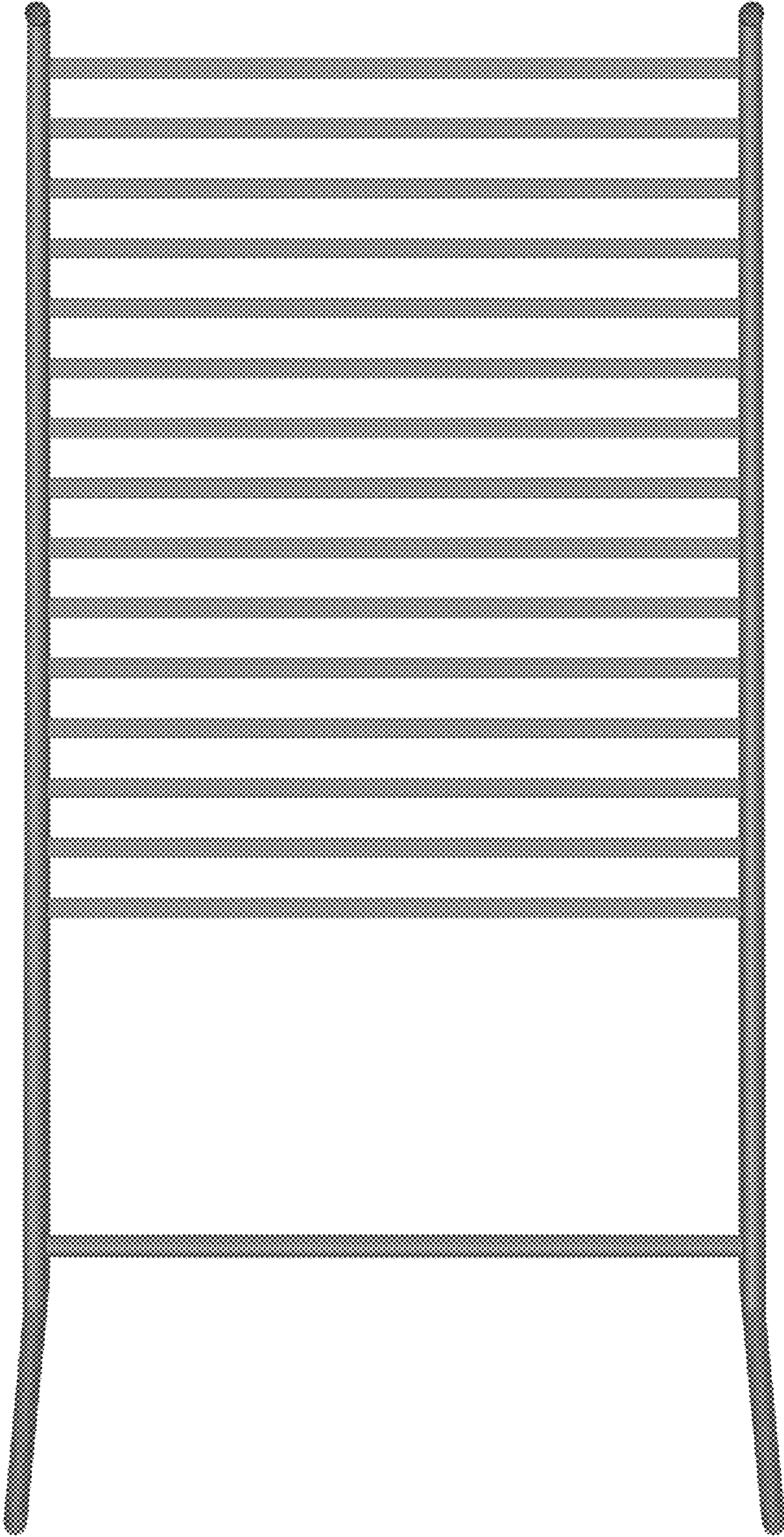


Fig.14

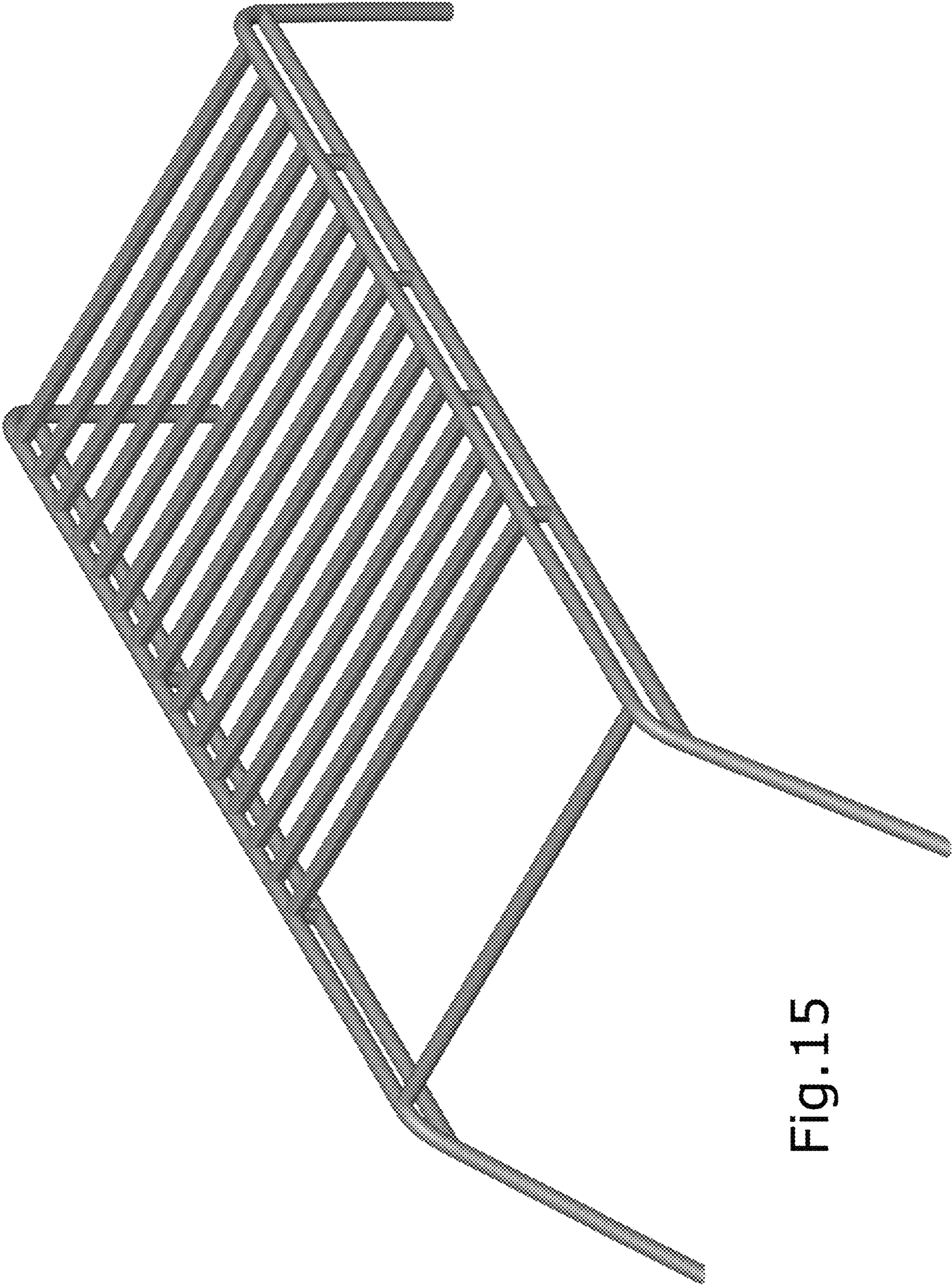


Fig. 15

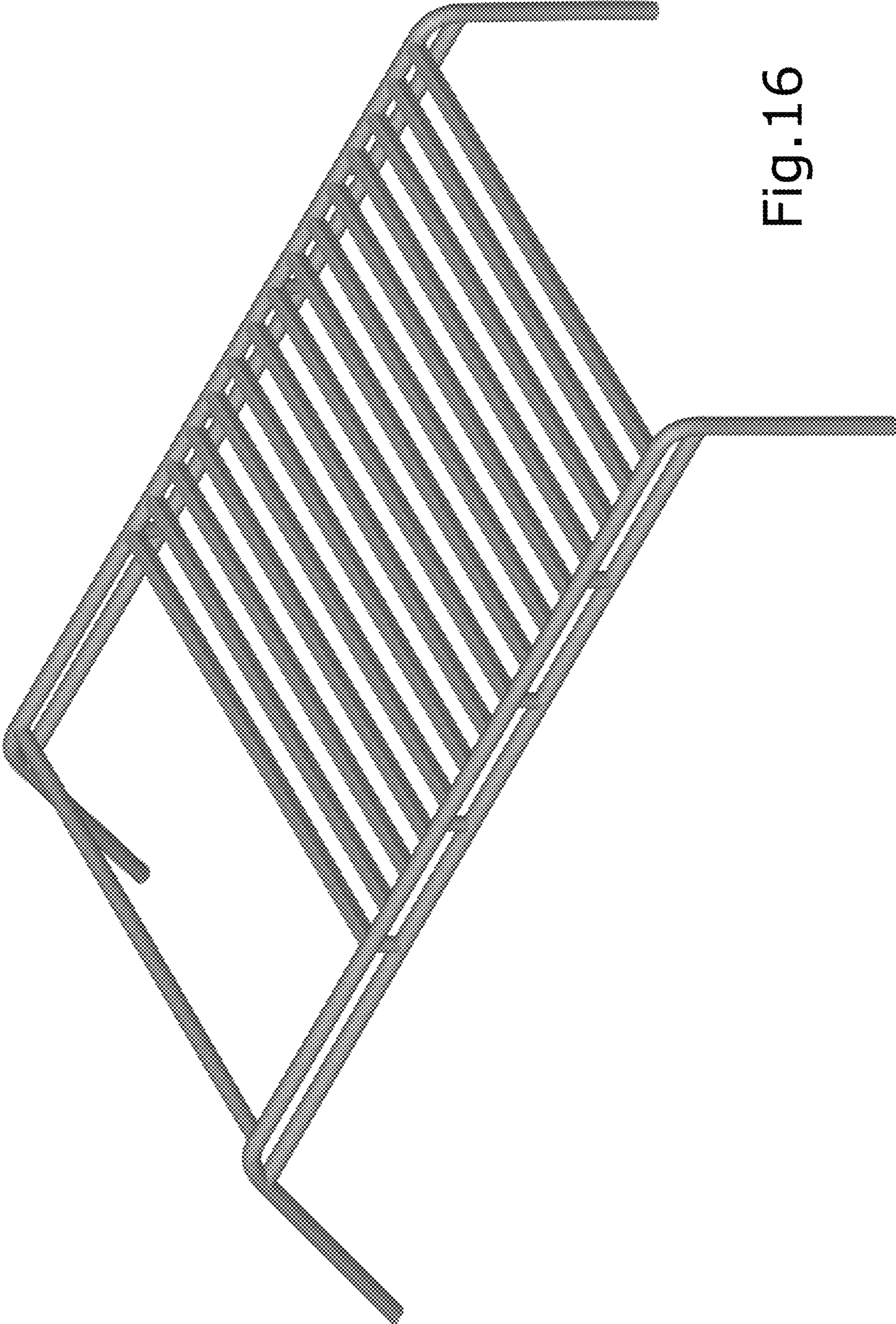


Fig. 16