



US00D988228S

(12) **United States Design Patent** (10) **Patent No.:** **US D988,228 S**  
**Ye** (45) **Date of Patent:** **\*\* Jun. 6, 2023**

(54) **BICYCLE BAG**  
(71) Applicant: **SHENZHEN WHITEBAIT TECHNOLOGY CO., LTD**, Shenzhen (CN)  
(72) Inventor: **Danli Ye**, Shenzhen (CN)  
(73) Assignee: **SHENZHEN WHITEBAIT TECHNOLOGY CO., LTD**, Shenzhen (CN)

(\*\*) Term: **15 Years**

(21) Appl. No.: **29/840,173**

(22) Filed: **May 26, 2022**

(51) **LOC (14) Cl.** ..... **12-16**

(52) **U.S. Cl.**  
USPC ..... **D12/409**

(58) **Field of Classification Search**  
USPC ..... D12/407, 409, 410, 114, 111, 110;  
D3/231, 273  
CPC ..... B62J 9/00; B62J 9/001; B62J 9/20; B62J 9/23; B62J 9/26; B62J 7/00; B62J 7/04; B62J 11/00

See application file for complete search history.

(56) **References Cited**

**U.S. PATENT DOCUMENTS**

3,955,728 A \* 5/1976 Jackson ..... B62J 9/27  
150/108  
D243,943 S \* 4/1977 Harris ..... D12/409  
D262,103 S \* 12/1981 Beaubien ..... D12/410  
D271,758 S \* 12/1983 Ervin ..... D12/410  
D279,369 S \* 6/1985 Van Vlandren ..... D3/905  
4,643,343 A \* 2/1987 Goldman ..... B62J 9/26  
224/427  
D307,733 S \* 5/1990 Kushitani ..... D12/409  
D322,591 S \* 12/1991 Van Vlandren ..... D12/410  
D336,740 S \* 6/1993 Graf ..... D12/409

D336,878 S \* 6/1993 Graf ..... D12/409  
D339,095 S \* 9/1993 Anderson ..... D12/409  
D339,783 S \* 9/1993 Delage ..... D12/410  
5,245,517 A \* 9/1993 Fenton ..... B62J 6/01  
362/802  
D340,218 S \* 10/1993 Delage ..... D12/423  
D346,144 S \* 4/1994 Katz ..... D12/409  
D347,819 S \* 6/1994 Katz ..... D12/410  
5,460,303 A \* 10/1995 Downs ..... B62J 9/26  
224/430  
D366,447 S \* 1/1996 Berman ..... D3/231  
D367,034 S \* 2/1996 Berman ..... D3/231  
D696,180 S \* 12/2013 Boyd ..... D12/410  
D738,107 S \* 9/2015 Adler ..... D3/289  
D738,108 S \* 9/2015 Adler ..... D3/289  
9,840,295 B1 \* 12/2017 Chuang ..... B62J 9/26  
10,604,204 B2 \* 3/2020 Chee ..... B62J 9/26  
D938,891 S 12/2021 Fang

(Continued)

*Primary Examiner* — Michelle E. Wilson  
*Assistant Examiner* — Clese Moore, Jr.  
(74) *Attorney, Agent, or Firm* — Daniel M. Cohn;  
Howard M. Cohn

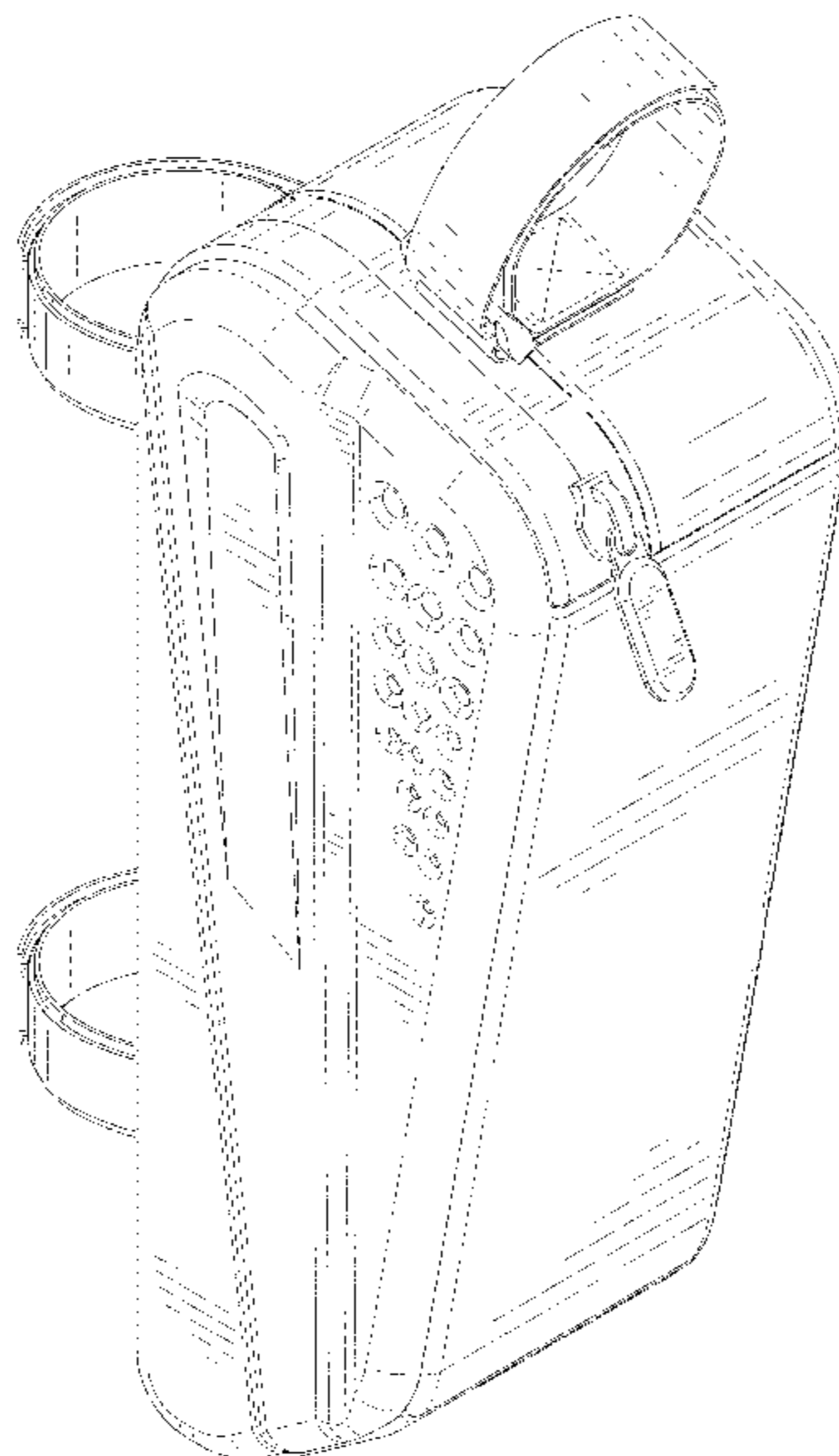
(57) **CLAIM**

The ornamental design for a bicycle bag, as shown and described.

**DESCRIPTION**

FIG. 1 is a perspective view of a bicycle bag showing my new design;  
FIG. 2 is another perspective view thereof;  
FIG. 3 is a front elevational view thereof;  
FIG. 4 is a rear elevational view thereof;  
FIG. 5 is a left side elevational view thereof;  
FIG. 6 is a right side elevational view thereof;  
FIG. 7 is a top plan view thereof; and,  
FIG. 8 is a bottom plan view thereof.  
The broken lines in the drawings depict stitching of the bicycle bag that form no part of the claimed design.

**1 Claim, 8 Drawing Sheets**



(56)

**References Cited**

U.S. PATENT DOCUMENTS

D939,424 S 12/2021 Fang  
2019/0100266 A1\* 4/2019 Chee ..... B62J 9/26

\* cited by examiner

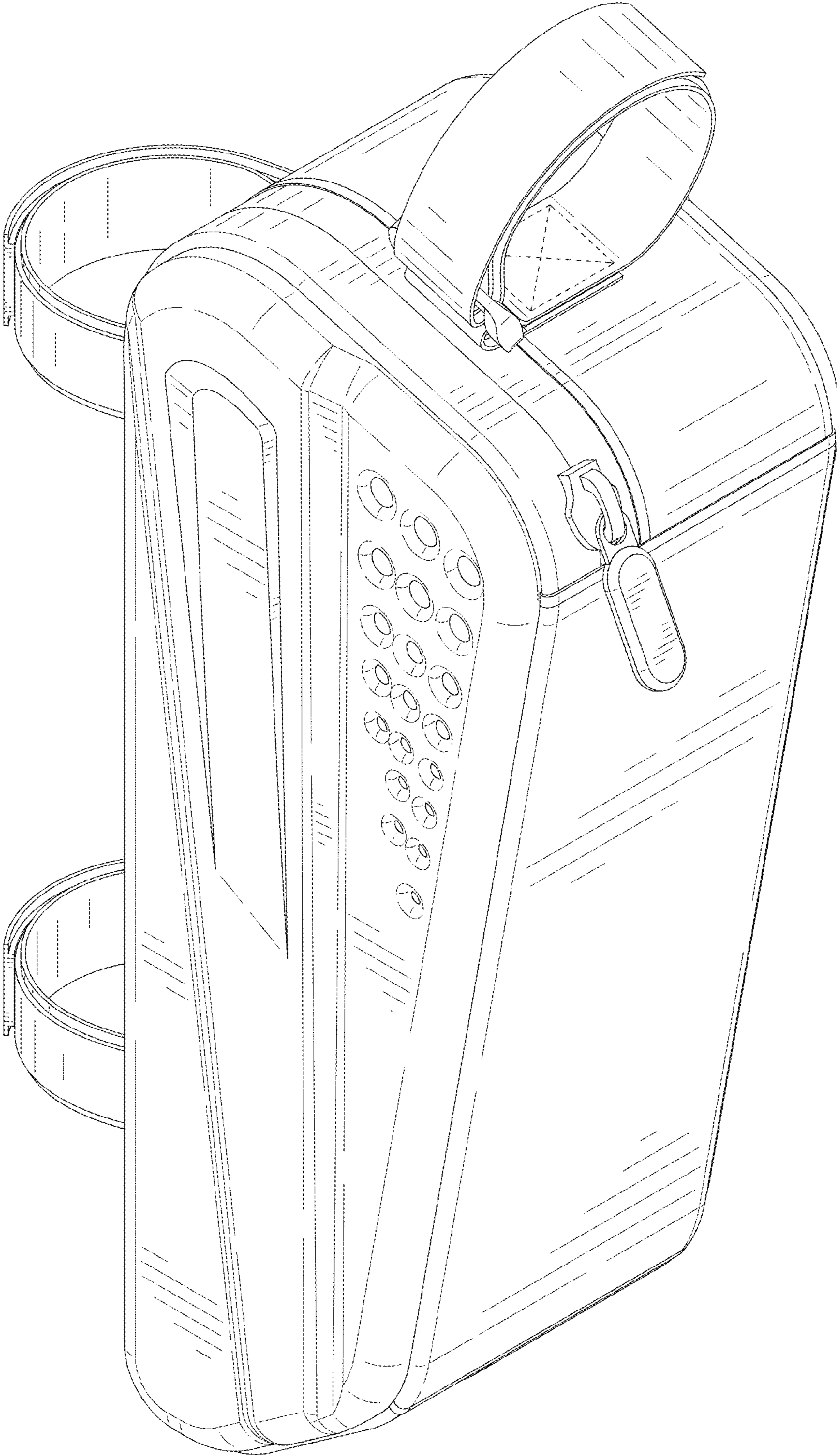


FIG. 1

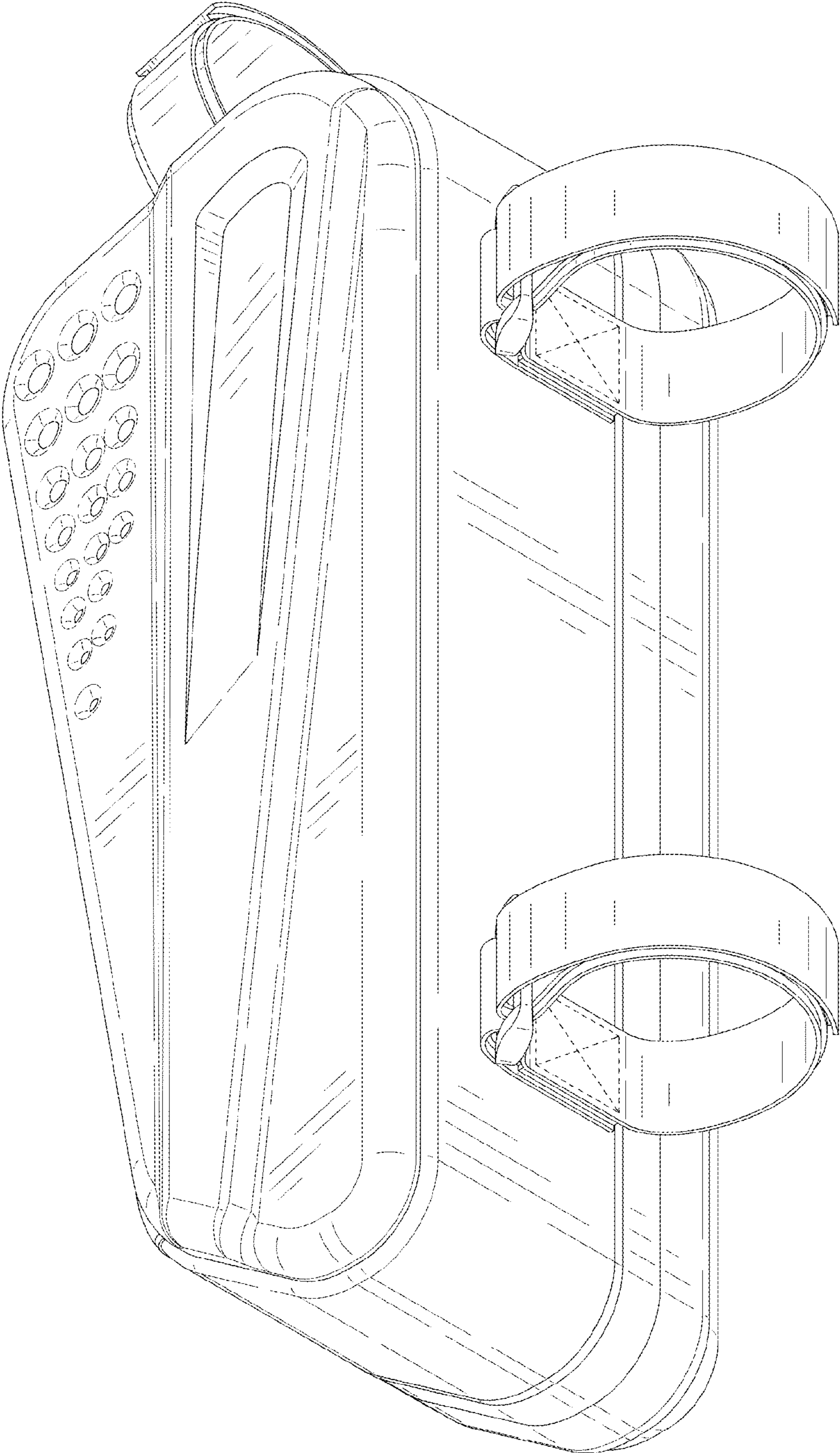


FIG. 2

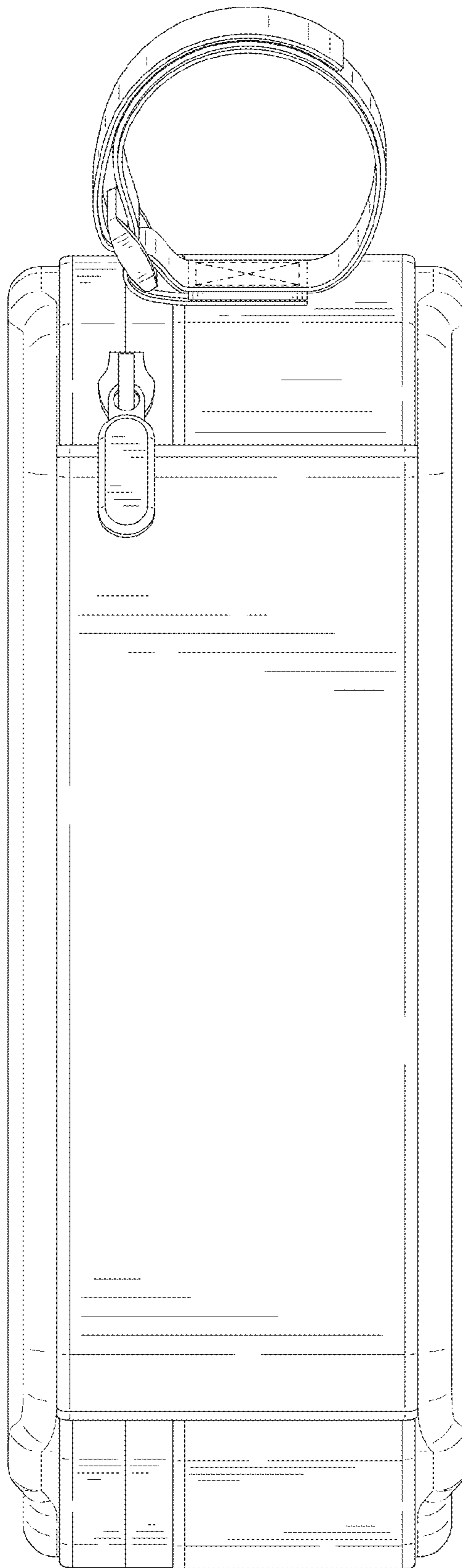


FIG. 3

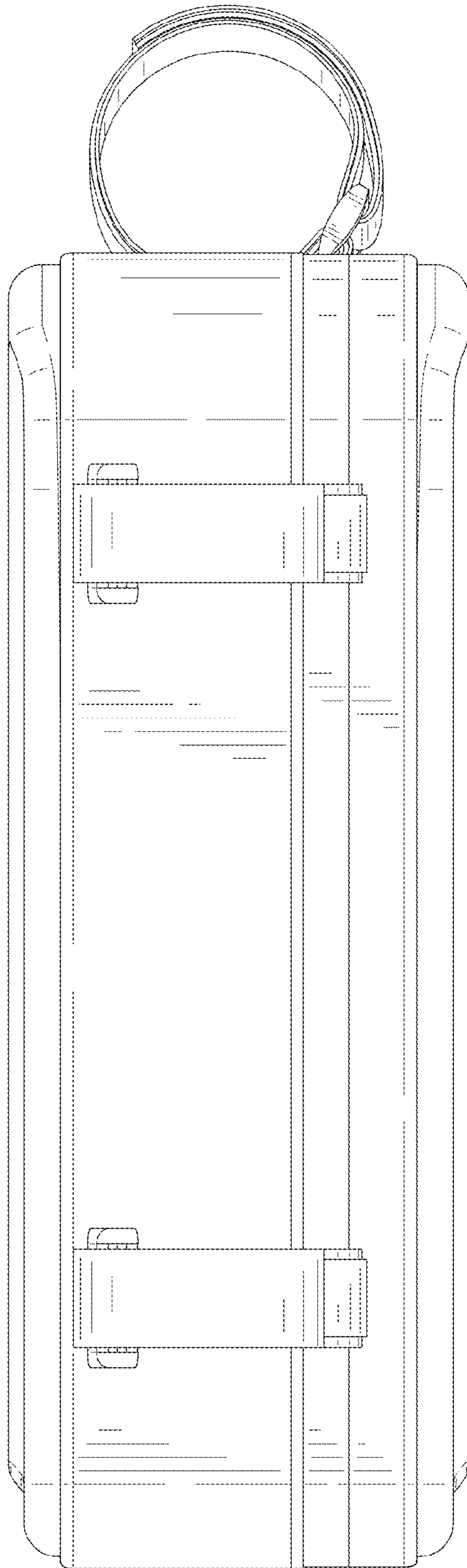


FIG. 4

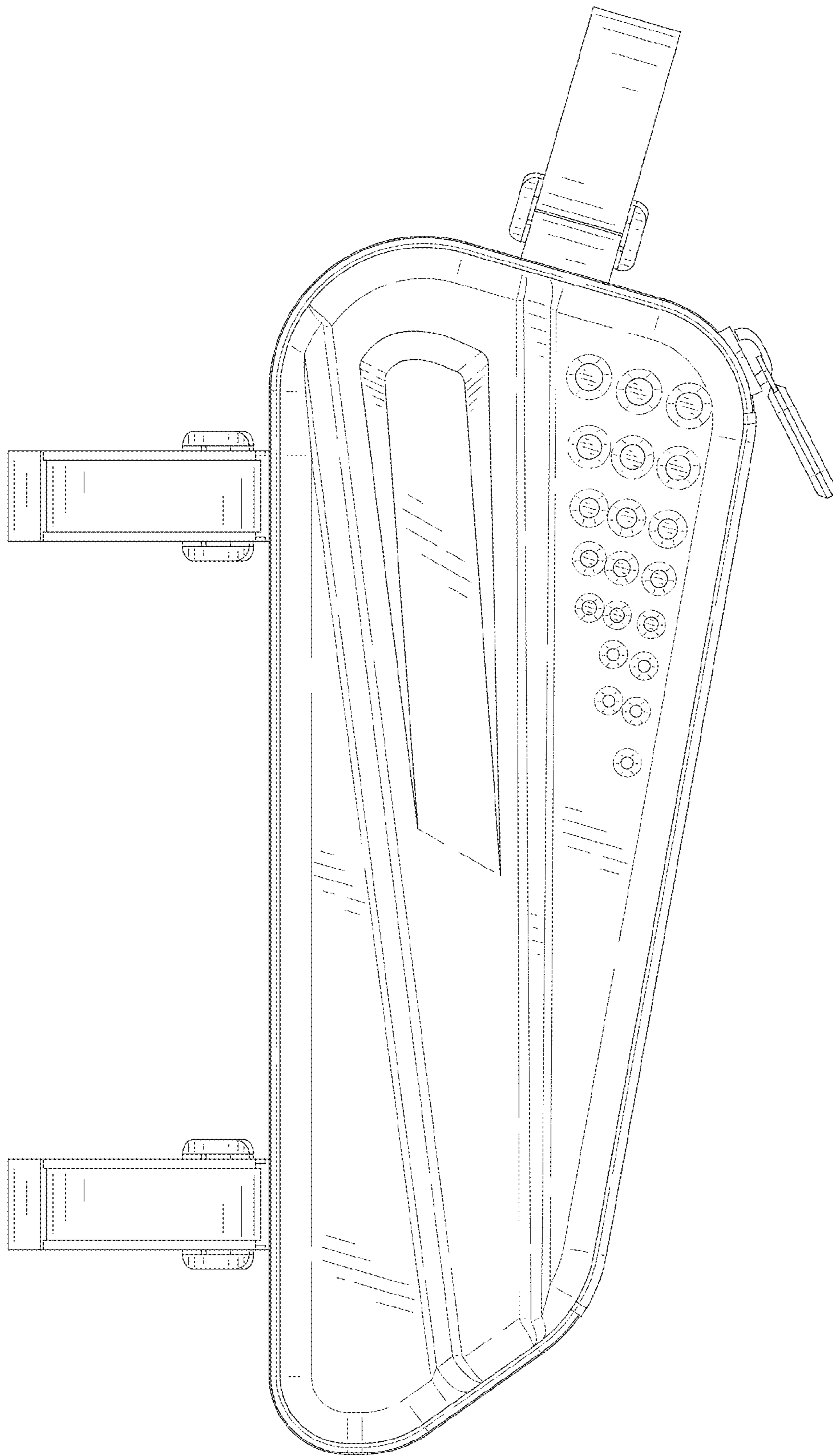


FIG. 5

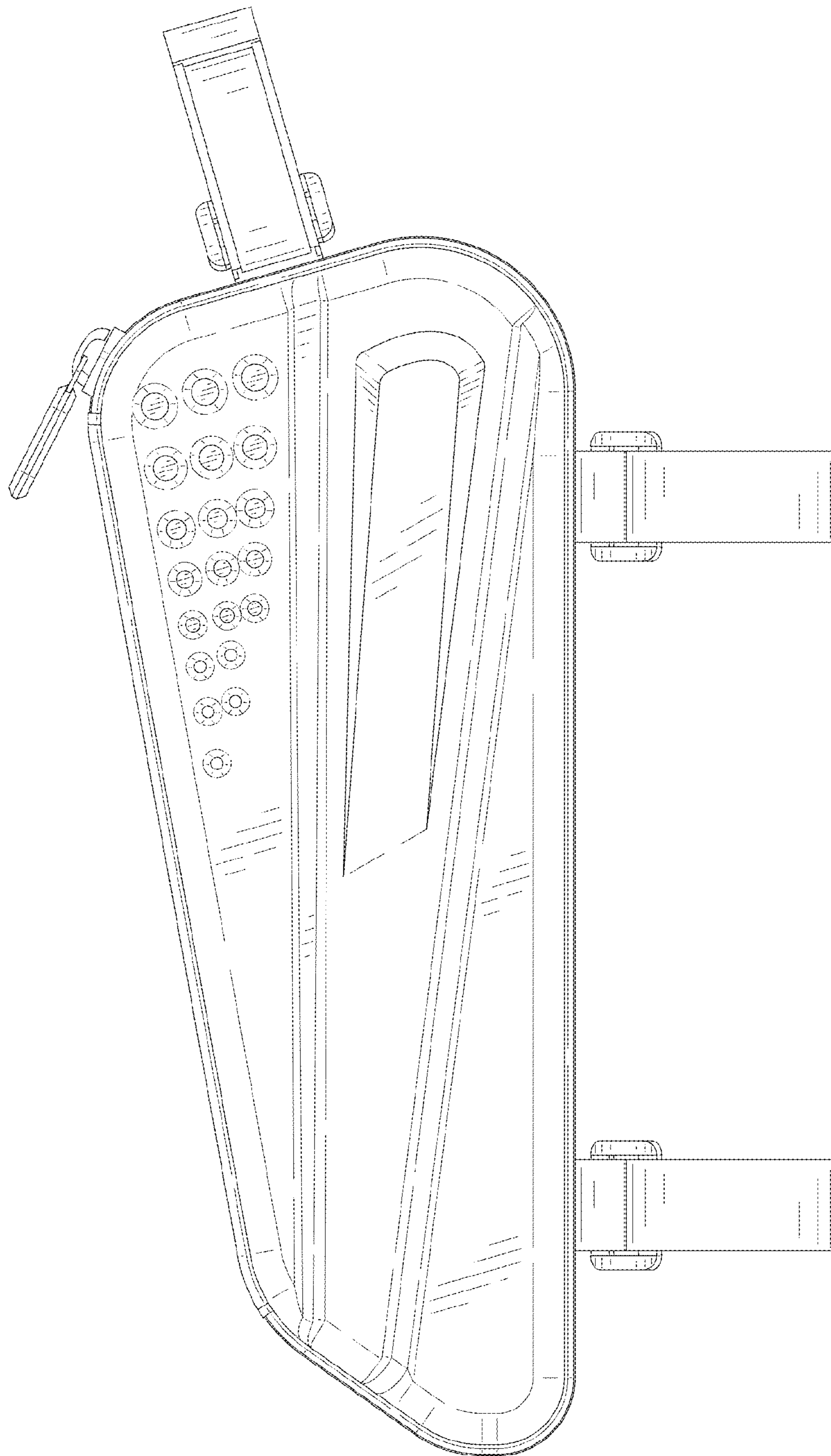


FIG. 6



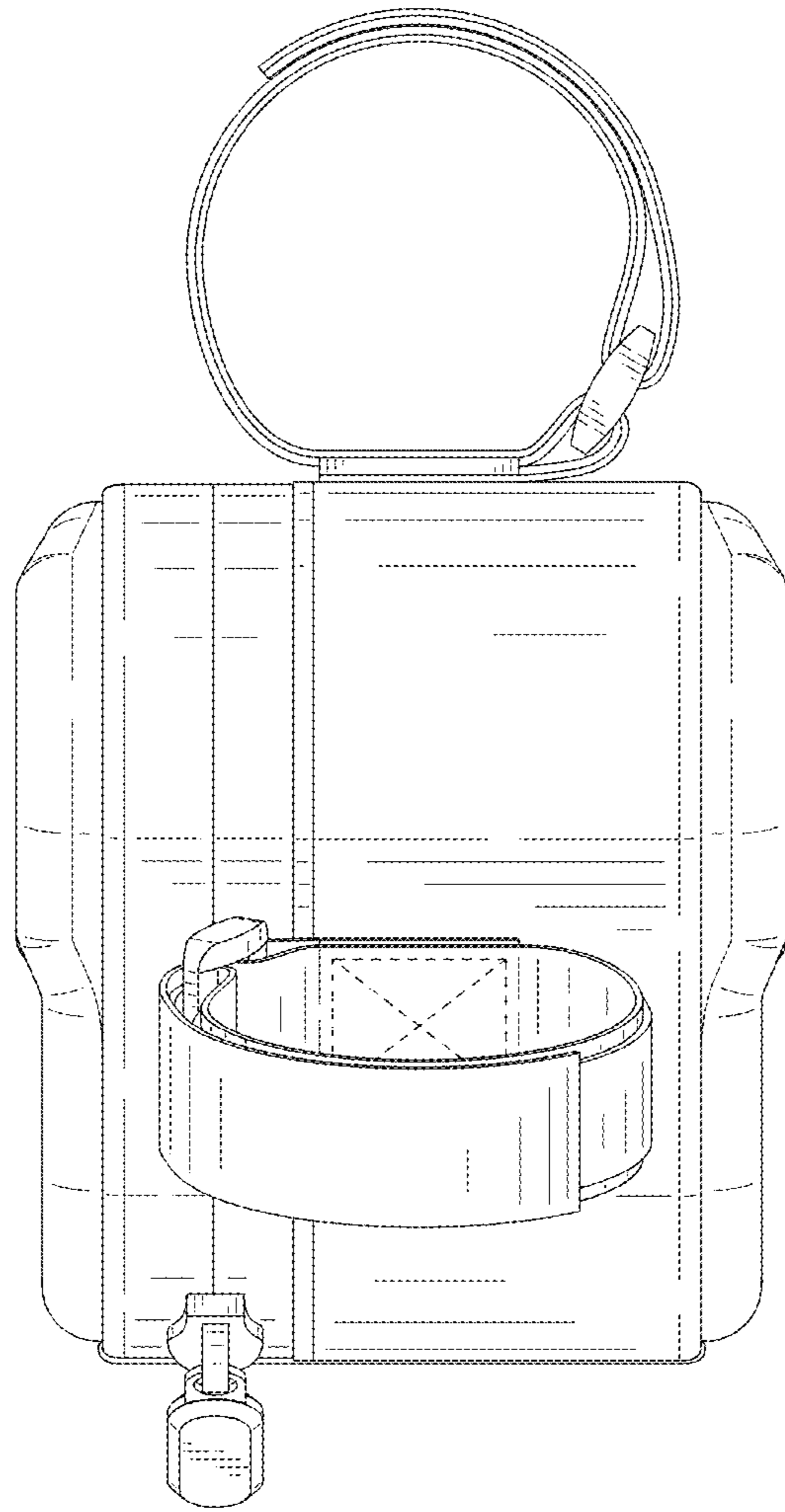


FIG. 7

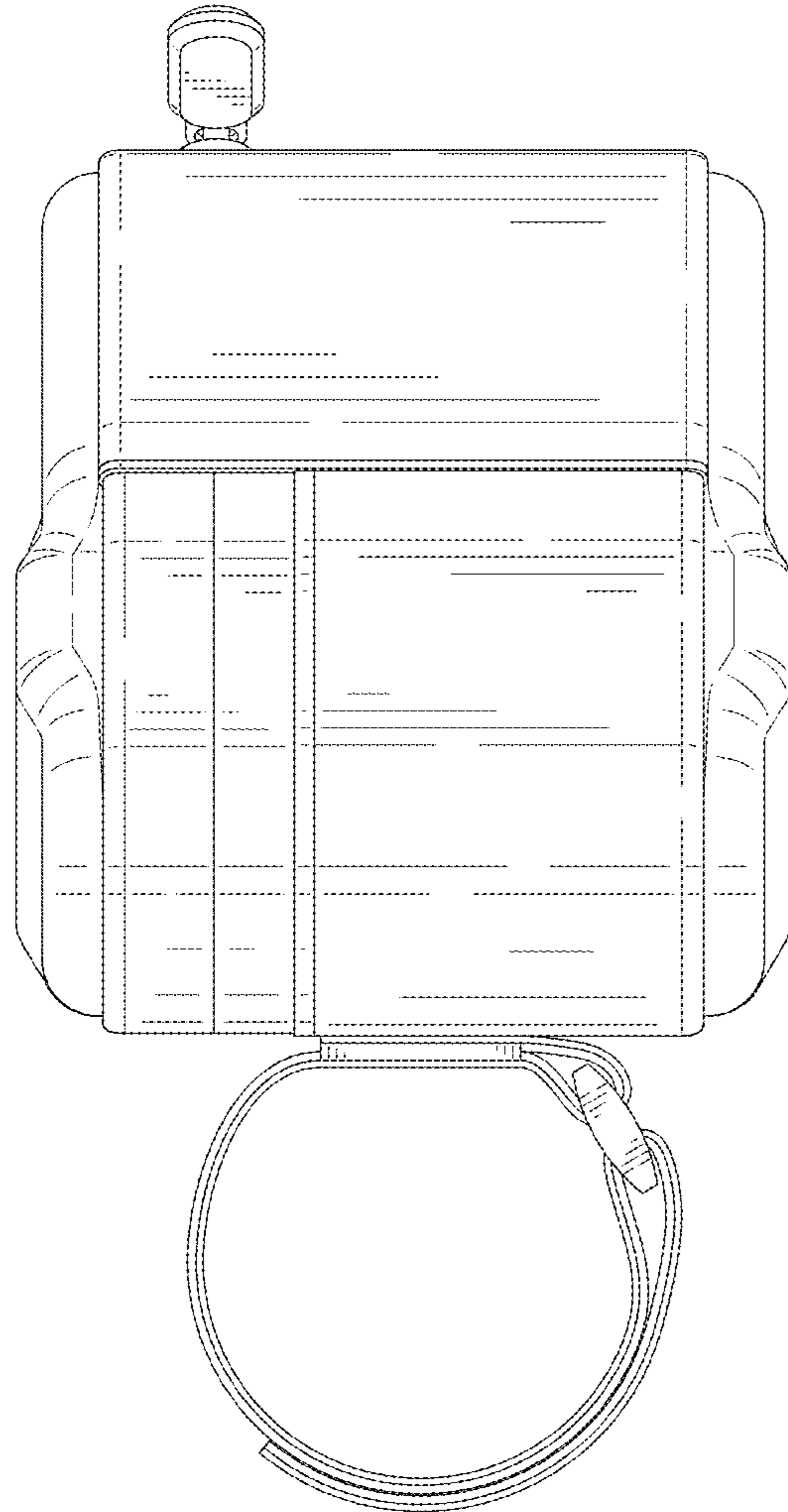


FIG. 8