



US00D988224S

(12) **United States Design Patent** (10) **Patent No.:** **US D988,224 S**  
**Kanemura et al.** (45) **Date of Patent:** **\*\* Jun. 6, 2023**

(54) **FUEL TANK FOR MOTORCYCLE**

FOREIGN PATENT DOCUMENTS

(71) Applicant: **HONDA MOTOR CO., LTD.**, Tokyo (JP)

CA 201644 \* 7/2022  
CN 306737640 \* 8/2021

(Continued)

(72) Inventors: **Yuki Kanemura**, Tokyo (JP);  
**Kazuyuki Tachibana**, Wako (JP);  
**Hideyuki Takahashi**, Tokyo (JP); **Keita Mikura**, Tokyo (JP)

OTHER PUBLICATIONS

Fuel Tank available in Partzilla.com Date First Available [Not Available], site visited on [Aug. 17, 2022 URL:https://www.partzilla.com/product/honda/17500-MCZ-A30ZA?gclid=EAlalQobChMlqp3xv7bO-QIVt\_vjBx04rQAsEAQYASABEgLLsPD\_BwE (Year: 2022).\*

(73) Assignee: **HONDA MOTOR CO., LTD.**, Tokyo (JP)

(\*\*) Term: **15 Years**

*Primary Examiner* — Darlington Ly  
*Assistant Examiner* — Pravin Giri

(21) Appl. No.: **29/771,674**

(74) *Attorney, Agent, or Firm* — Birch, Stewart, Kolasch & Birch, LLP

(22) Filed: **Feb. 24, 2021**

(30) **Foreign Application Priority Data**

Sep. 2, 2020 (JP) ..... 2020-018641 D

(51) **LOC (14) Cl.** ..... **12-16**

(52) **U.S. Cl.**  
USPC ..... **D12/218**

(58) **Field of Classification Search**  
USPC ..... D12/110, 114, 126, 197, 218, 223;  
D15/15, 17, 23, 28, 33; D23/202, 203,  
D23/204, 205; D9/435-454  
CPC ..... H04B 1/3888; Y02E 60/10; H02J 7/0042;  
H02J 7/0044; H04M 1/185; A45C  
2011/002; A45C 13/008; H01M 50/20;  
B60K 15/03504; B60K 15/035; B60K  
15/03; B60K 15/04; B60K 15/073; B60K  
(Continued)

(57) **CLAIM**

The ornamental design for a fuel tank for motorcycle, as shown and described.

(56) **References Cited**

U.S. PATENT DOCUMENTS

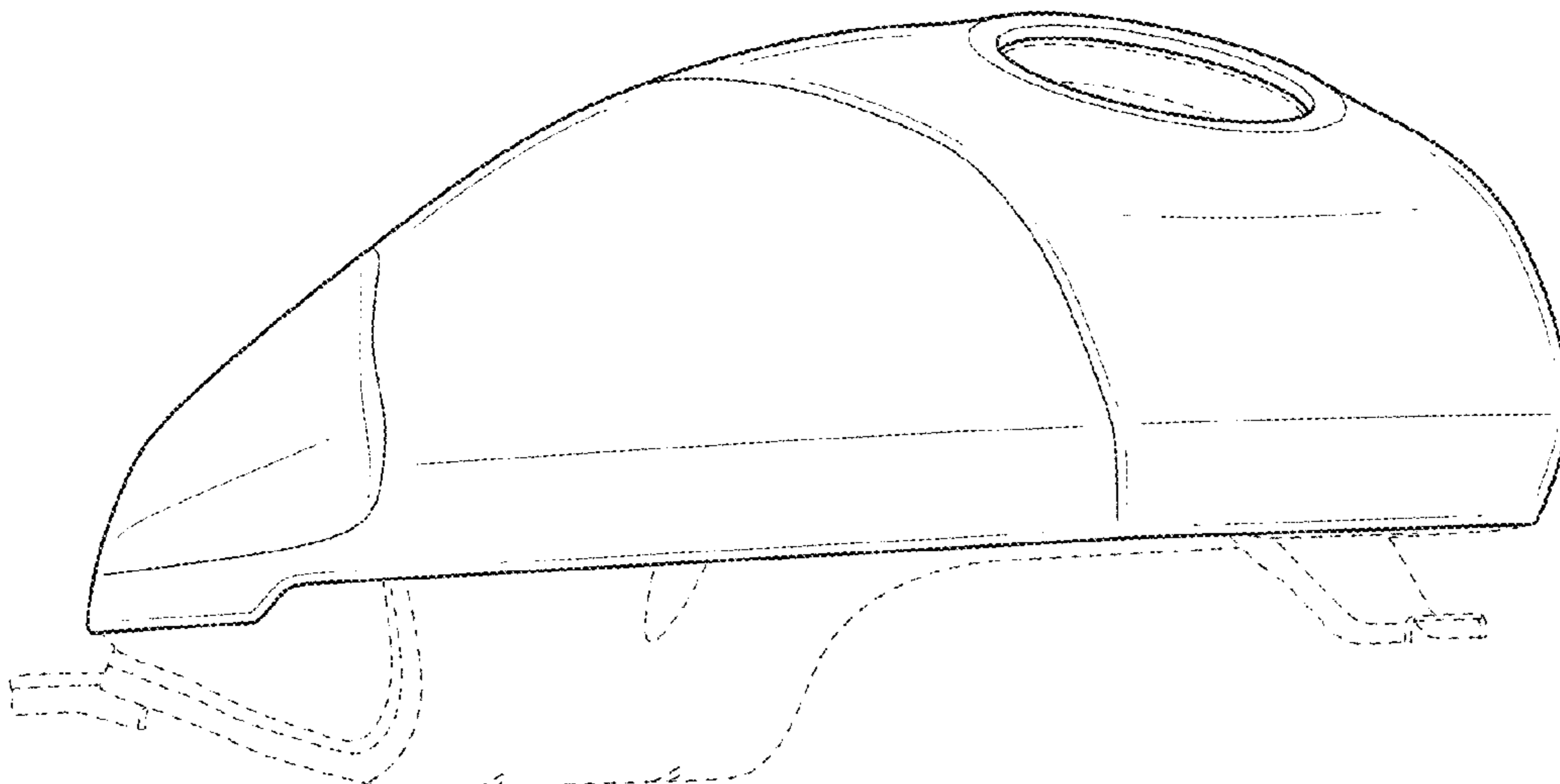
3,741,429 A \* 6/1973 Purcell, Jr. .... B62J 11/04  
220/480  
6,478,335 B2 \* 11/2002 Reed ..... B62J 35/00  
280/835

(Continued)

**DESCRIPTION**

FIG. 1 is a right and front perspective view of a fuel tank for motorcycle embodying our new design; FIG. 2 is a left and front perspective view thereof; FIG. 3 is a right and rear perspective view thereof; FIG. 4 is a left and rear perspective view thereof; FIG. 5 is a front elevation view thereof; FIG. 6 is a rear elevation view thereof; FIG. 7 is a right side elevation view thereof; FIG. 8 is a left side elevation view thereof; FIG. 9 is a top plan view thereof; and, FIG. 10 is a bottom plan view thereof. The broken lines shown in the drawings illustrate portions of the fuel tank for motorcycle that form no part of the claimed design. The dash-dot-dash line shown in FIGS. 2, 4, 5, 6, 8 and 10 represents the boundary of the claimed design and forms no part of thereof.

**1 Claim, 10 Drawing Sheets**



(58) **Field of Classification Search**

CPC ..... 15/07; B60K 15/077; B60K 15/03177;  
B60K 2015/03118; B60K 2015/03059;  
B60K 15/067; B60K 15/03006; B60K  
2015/03151; B62J 35/00; B62K 11/00;  
B62K 11/04

See application file for complete search history.

(56) **References Cited**

U.S. PATENT DOCUMENTS

D474,142	S	*	5/2003	Song	.....	D12/218
D482,311	S	*	11/2003	Song	.....	D12/218
D791,676	S	*	7/2017	Ozawa	.....	D12/218
D796,385	S	*	9/2017	Galluzzi	.....	D12/110
D864,080	S	*	10/2019	Shigihara	.....	D12/218
D873,197	S	*	1/2020	McGinley	.....	D12/218
D881,783	S	*	4/2020	Richards	.....	D12/218
D894,089	S	*	8/2020	Watanabe	.....	D12/218
D937,746	S	*	12/2021	Daniels	.....	D12/218
D937,747	S	*	12/2021	Shedjale	.....	D12/218

FOREIGN PATENT DOCUMENTS

IN	339745-001-0001	*	1/2022
RU	00129985	*	3/2022
TW	215073-0001	*	11/2021

\* cited by examiner

FIG. 1

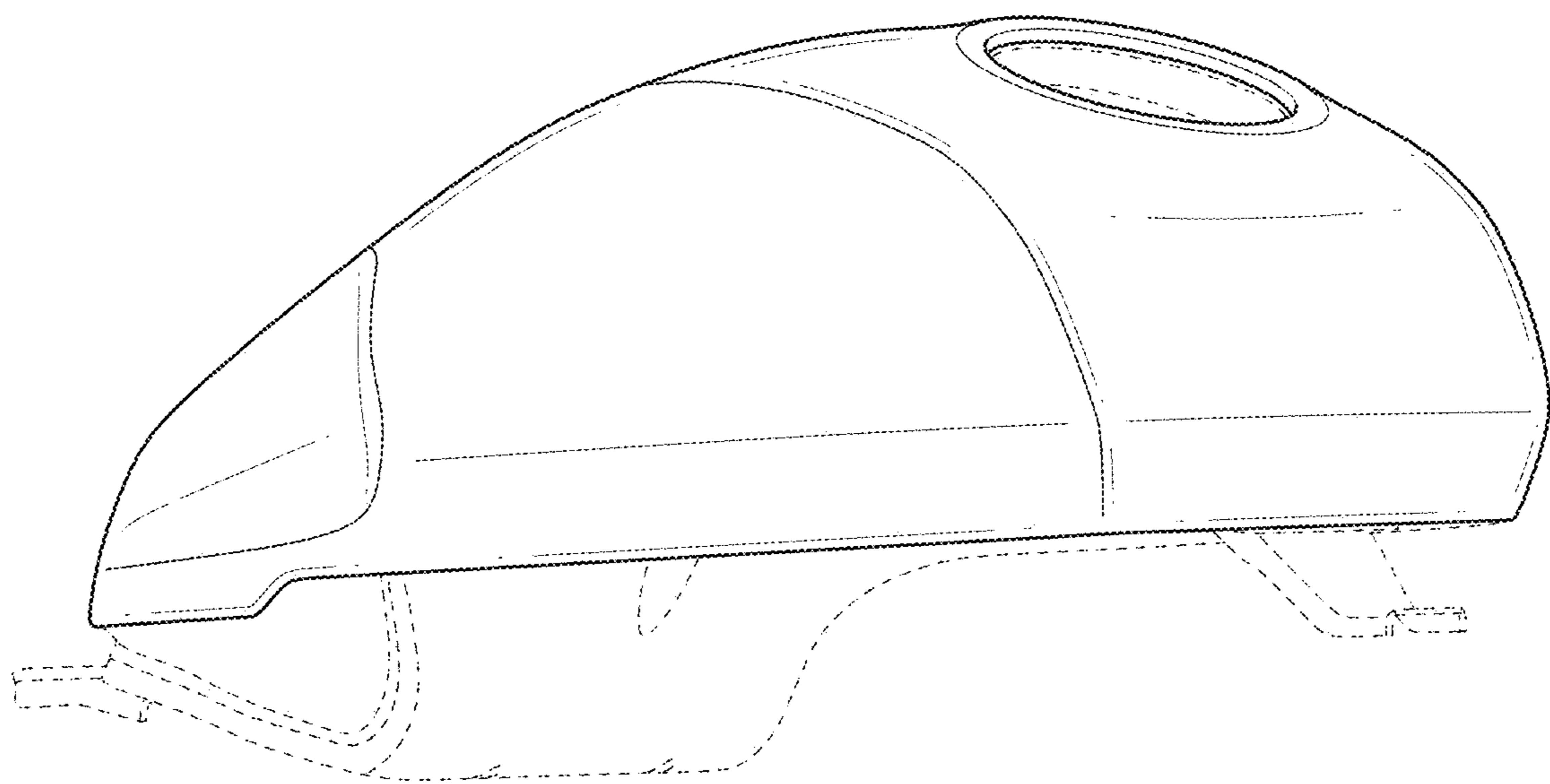


FIG. 2

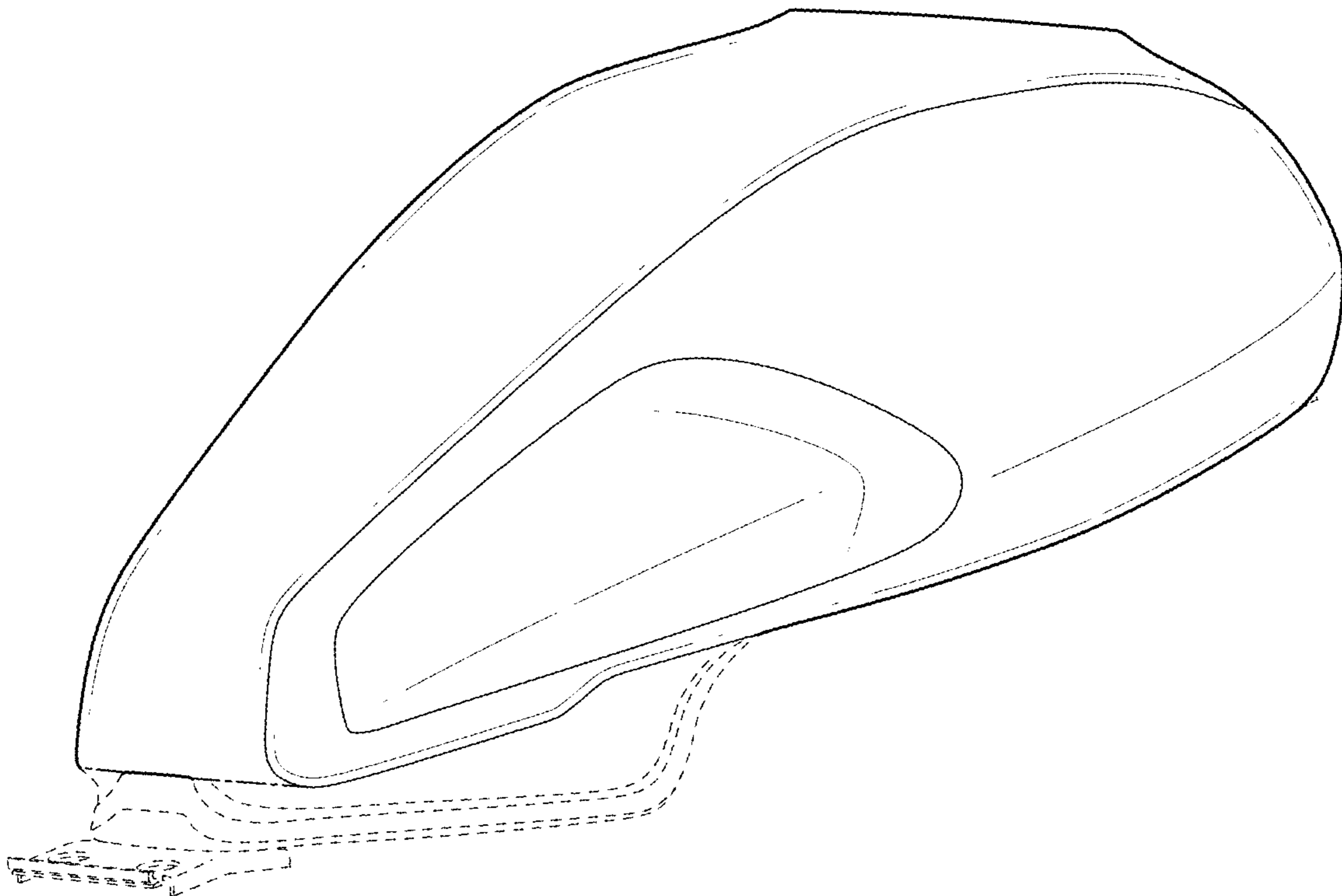


FIG. 3

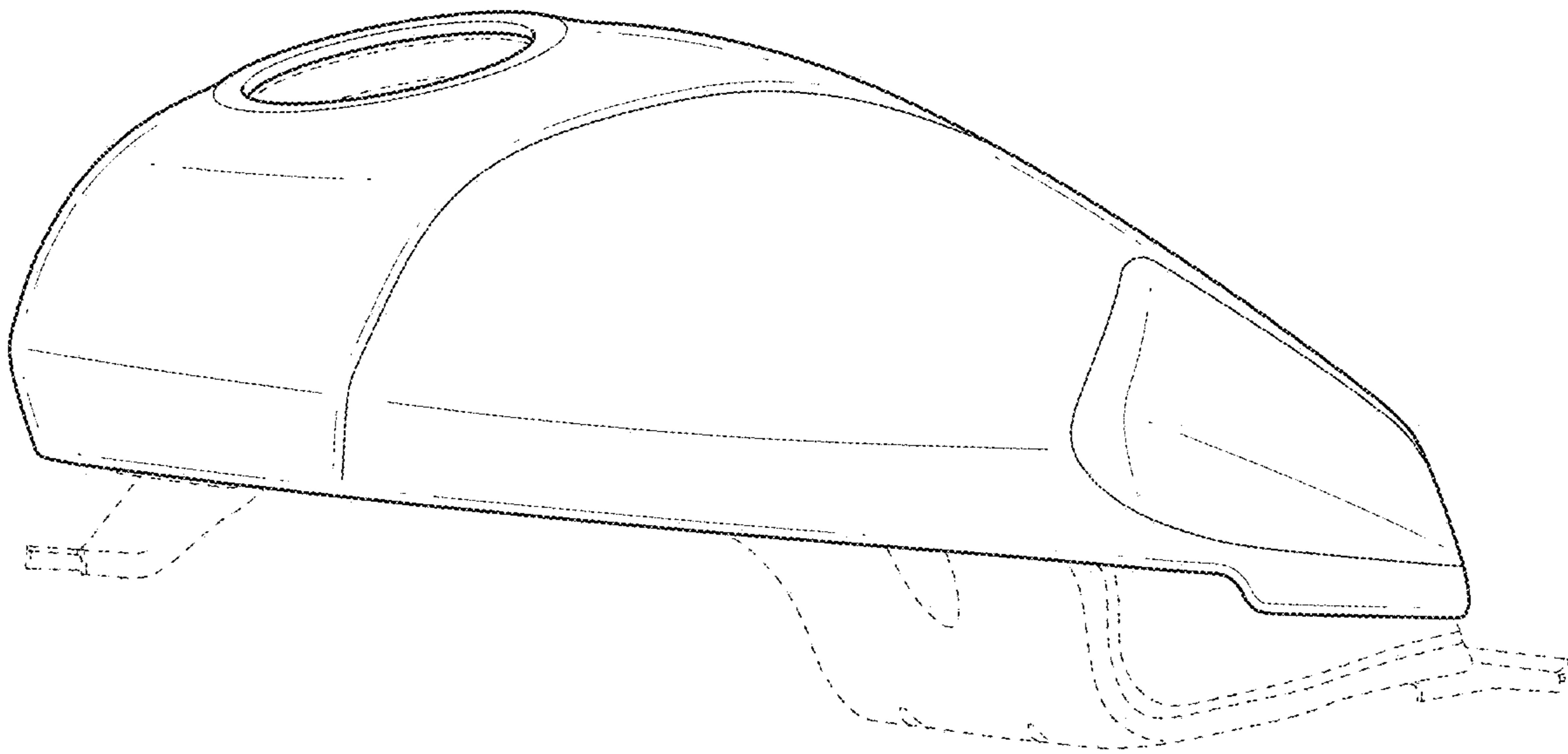


FIG. 4

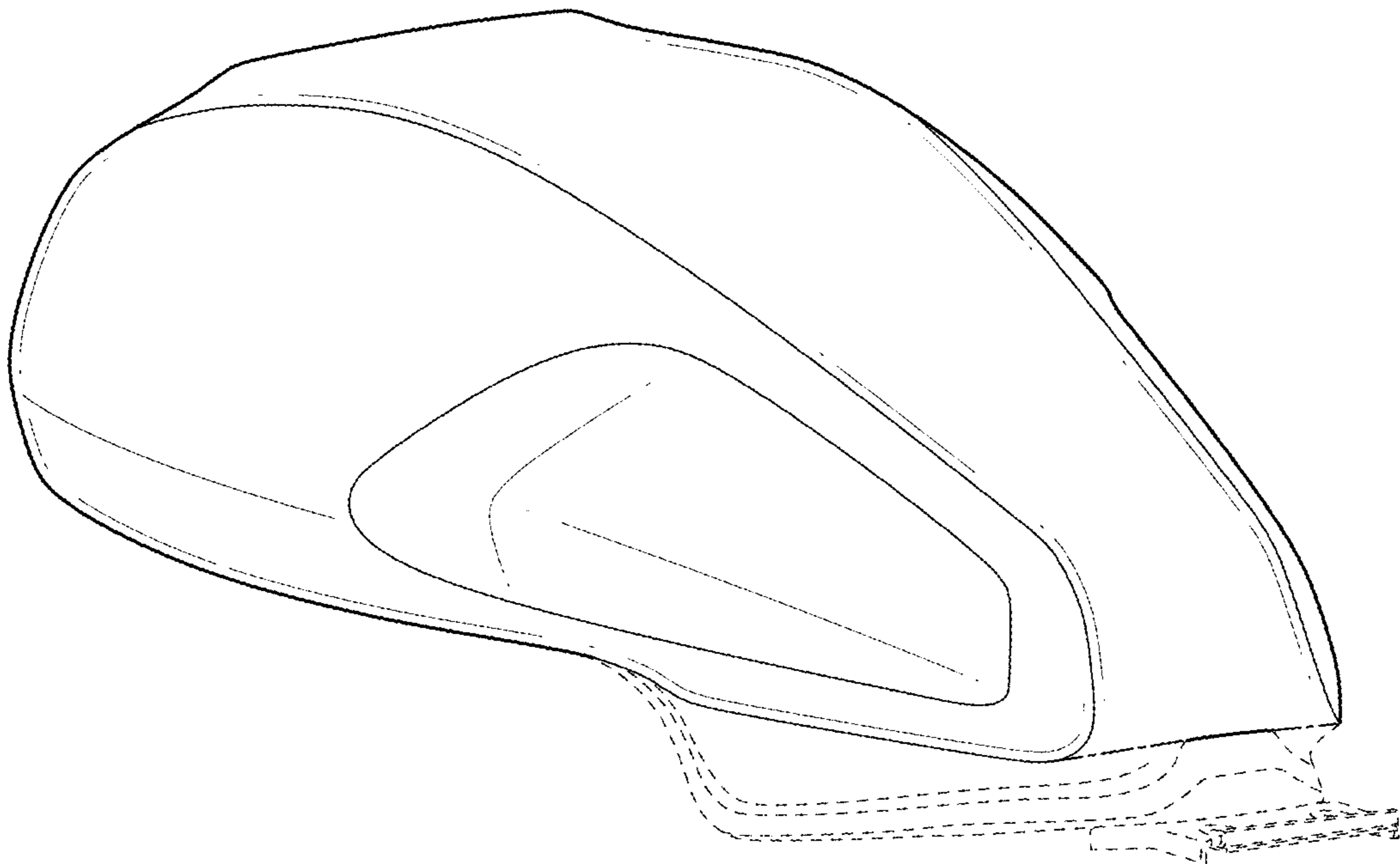


FIG. 5

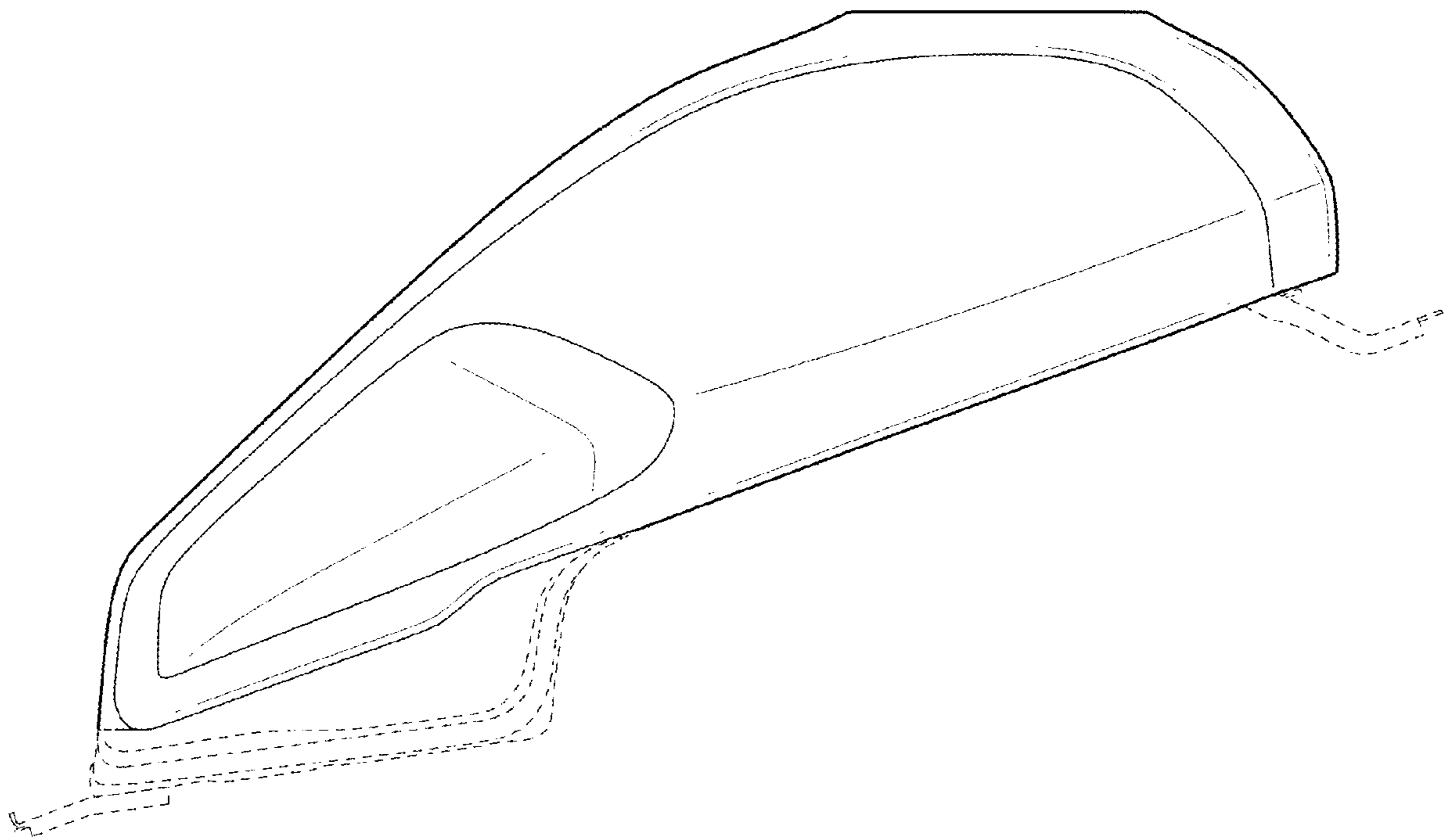




FIG. 6

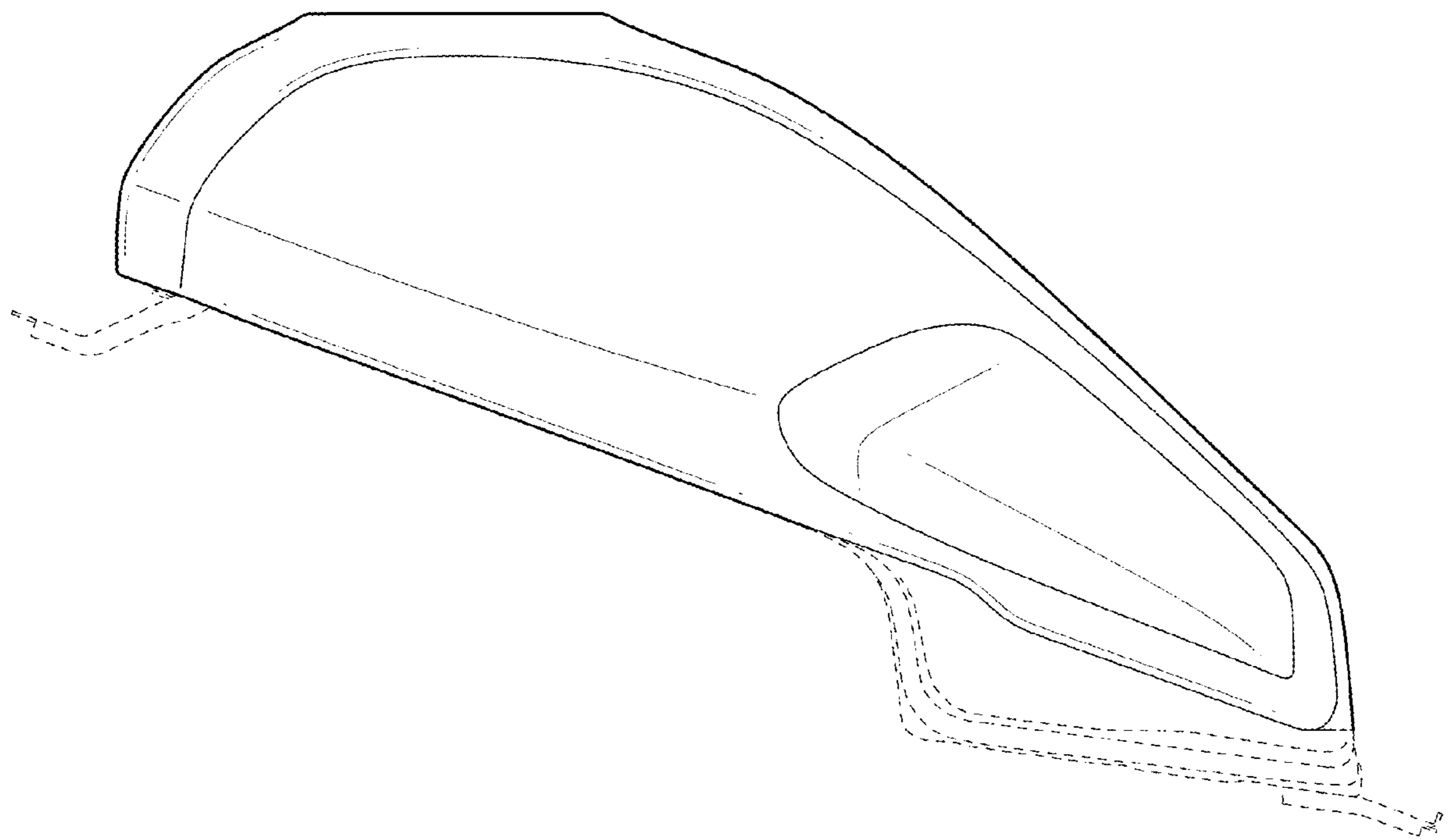




FIG. 7

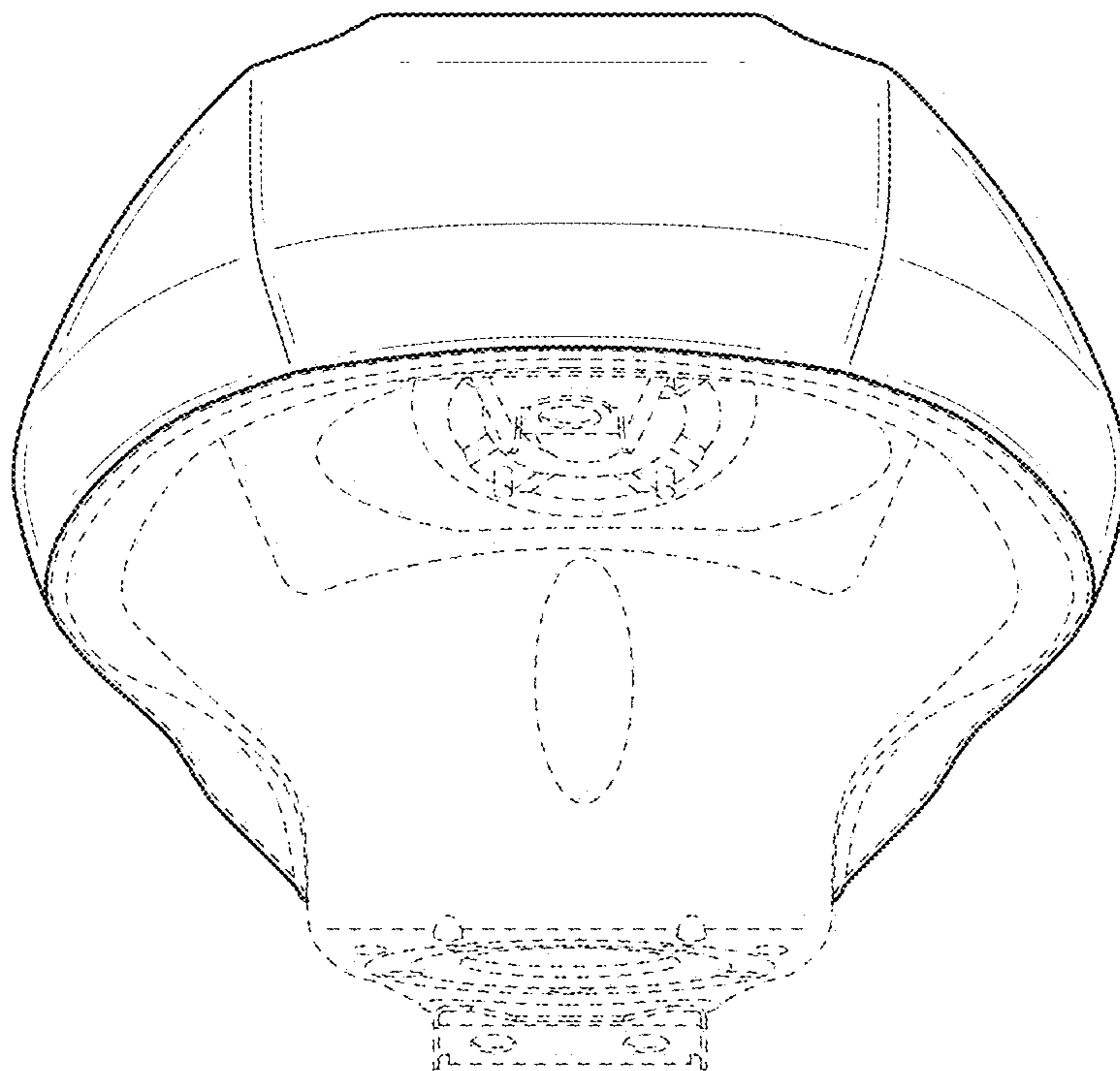


FIG. 8

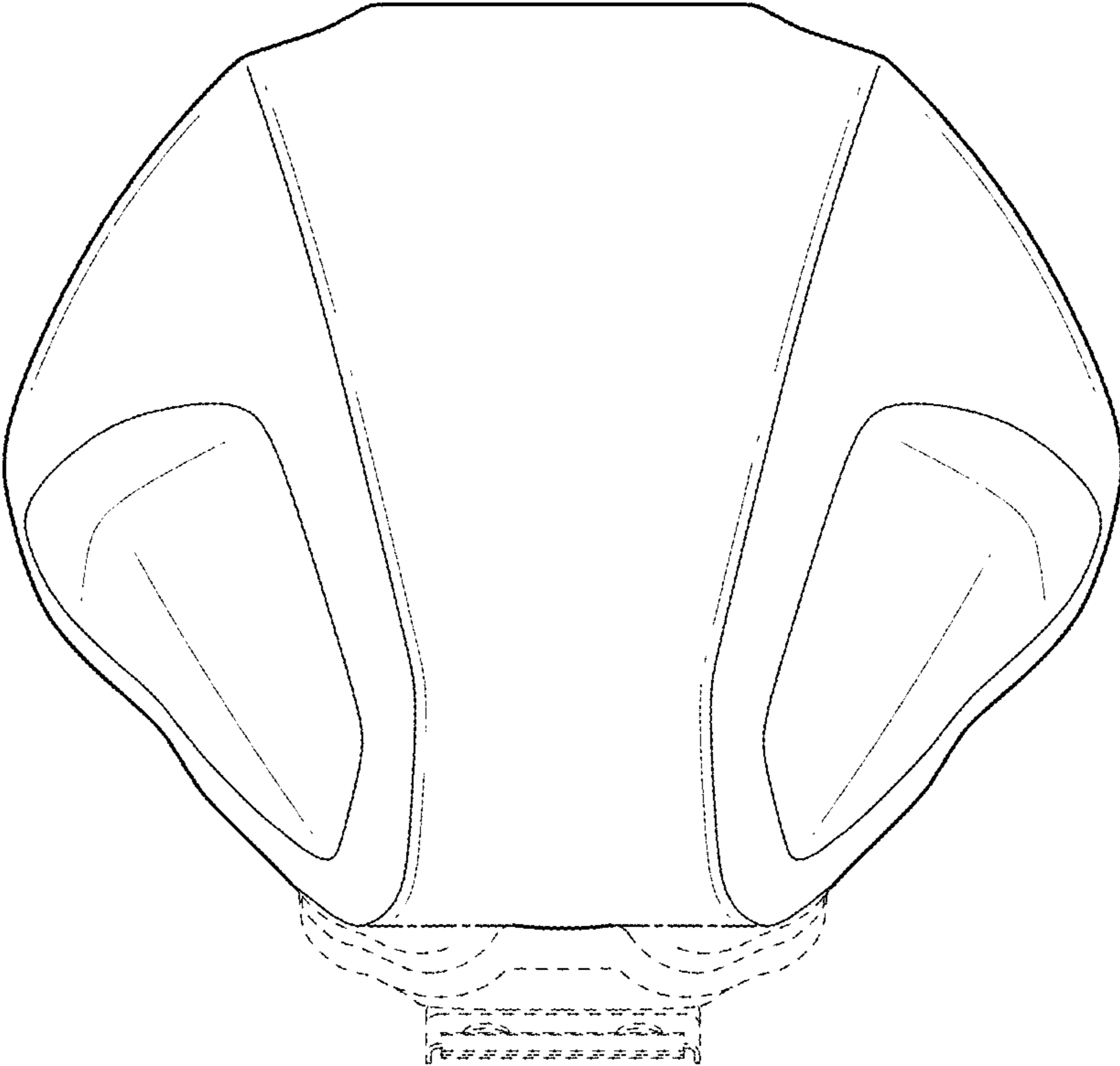


FIG. 9

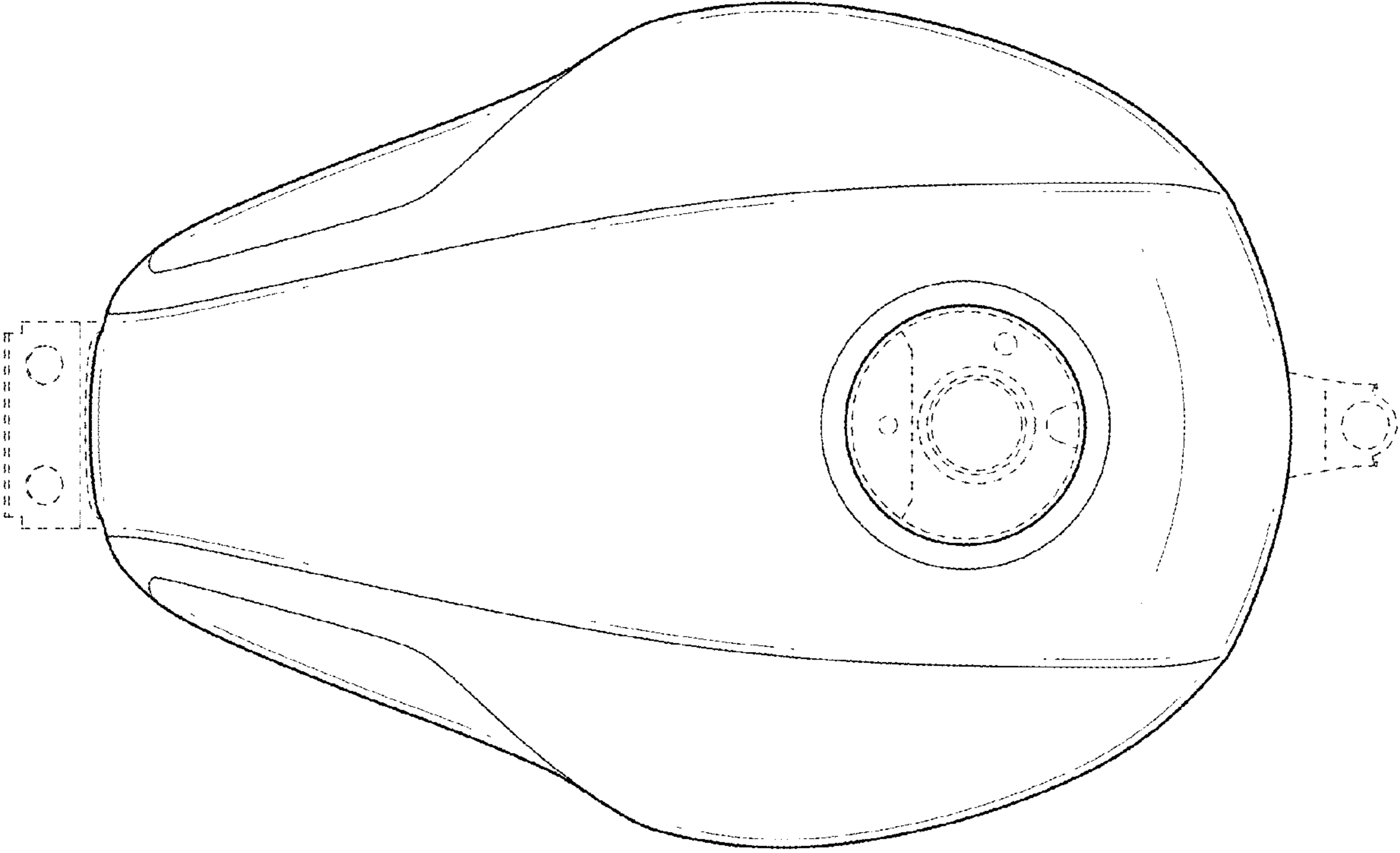


FIG. 10

