



US00D988223S

(12) **United States Design Patent**  
**Mora et al.**

(10) **Patent No.:** **US D988,223 S**

(45) **Date of Patent:** **\*\* Jun. 6, 2023**

(54) **WHEEL PROTECTOR**

(71) Applicant: **1Lss, Inc**, Los Angeles, CA (US)

(72) Inventors: **Fernando Mora**, Reseda, CA (US);  
**Alejandro Baca**, Sherman Oaks, CA (US);  
**Mydul R. Islam**, Los Angeles, CA (US);  
**Kevin H. Vuong**, Baldwin Park, CA (US)

(73) Assignee: **1Lss, Inc**, Los Angeles, CA (US)

(\*\*) Term: **15 Years**

(21) Appl. No.: **29/868,904**

(22) Filed: **Dec. 15, 2022**

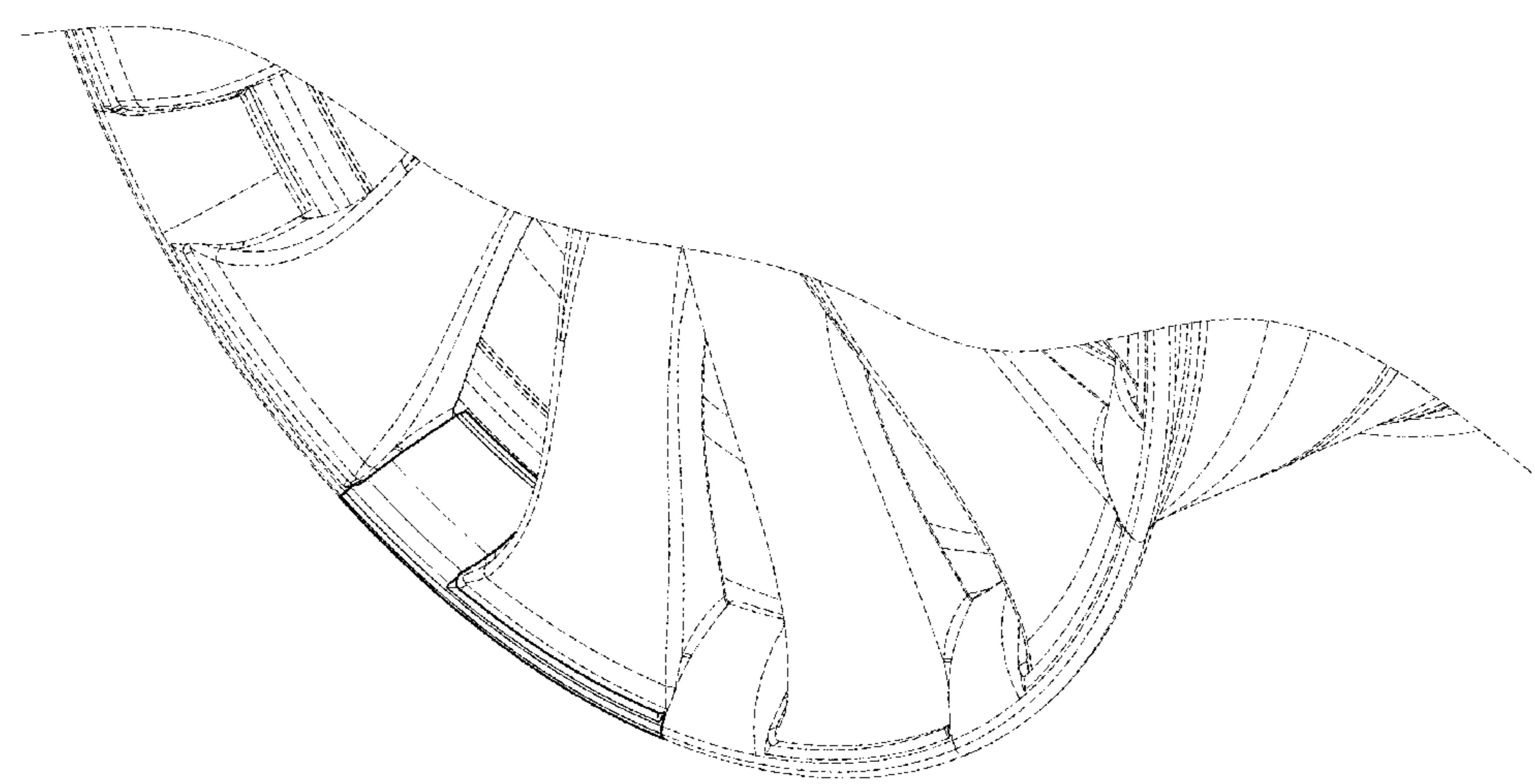
(51) **LOC (14) Cl.** ..... **12-06**

(52) **U.S. Cl.**  
USPC ..... **D12/213**

(58) **Field of Classification Search**

USPC ..... D12/114, 115, 204-215, 217, 223  
CPC ... B60B 27/0005; B60B 27/00; B60B 27/023;  
B60B 27/02; B60B 27/0073; B60B 27/0094;  
B60B 27/001; B60B 5/02; B60B 27/0084;  
B60B 2900/111; B60B 3/16; B60B 27/0026;  
B60B 27/0068; B60B 7/0013; B60B 7/04;  
B60B 1/003; B60B 27/0052; B60B 1/042;  
B60B 27/0078; B60B 1/041; B60B 7/066;  
B60B 3/10; B60B 27/0042; B60B 7/14;  
B60B 3/02; B60B 2320/10; B60B 27/065;  
B60B 2310/305; B60B 2900/113; B60B 37/10;  
B60B 35/14; B60B 2900/311; B60B 2900/212;  
B60B 27/026; B60B 2900/112; B60B 7/00;  
B60B 27/0047; B60B 7/08; B60B 2900/321;  
B60B 2900/541; B60B 9/26; B60B 2360/102;  
B60B 21/062; B60B 2380/12; B60B 2360/32;  
B60B 27/0015; B60B 2360/10; B60B 27/047;  
B60B 7/068; B60B 35/04; B60B 77/02;  
B60B 2380/14; B60B 2900/572; B60B 27/06;  
B60B 3/165; B60B 27/04; B60B 2900/3312;  
B60B 19/00; B60B 35/18;

B60B 1/06; B60B 7/20; B60B 2360/104;  
B60B 1/0261; B60B 7/18; B60B 11/02;  
B60B 2360/341; B60B 35/16; B60B 2310/302;  
B60B 2900/211; B60B 27/0031; B60B 2900/1216;  
B60B 3/14; B60B 33/0068; B60B 11/06; B60B 21/025;  
B60B 2310/316; B60B 33/0049; B60B 7/06;  
B60B 2900/325; B60B 2900/351; B60B 19/003;  
B60B 2310/204; B60B 33/0028; B60B 7/065;  
B60B 2900/115; B60B 35/004; B60B 35/125;  
B60B 21/02; B60B 23/10; B60B 29/001; B60B 3/145;  
B60B 3/147; B60B 33/0039; B60B 2380/73;  
B60B 2900/313; B60B 33/0057; B60B 2900/5112;  
B60B 35/02; B60B 35/003; B60B 35/08; B60B 7/063;  
B60B 3/001; B60B 3/06; B60B 33/0073; B60B 29/00;  
B60B 3/142; B60B 2900/531; B60B 3/08; B60B 2900/131;  
B60B 1/02; B60B 1/044; B60B 2360/50; B60B 27/0021;  
B60B 35/121; B60B 37/04; B60B 21/12;  
B60B 2900/133; B60B 35/122; B60B 7/0066; B60B 35/025;  
B60B 1/14; B60B 2360/3416; B60B 7/16;  
B60B 2310/318; B60B 2900/5114; B60B 2900/513;  
B60B 35/163; B60B 2310/202; B60B 2900/721;  
B60B 25/002; B60B 2900/511; B60B 3/00;  
B60B 3/04; B60B 7/061; B60B 21/026;  
B60B 27/0036; B60B 2900/711; B60B 7/0006;  
B60B 1/08; B60B 3/007; B60B 35/12;  
B60B 7/10; B60B 1/00; B60B 21/04;  
B60B 2310/306; B60B 3/002; B60B 7/002;  
B60B 27/0057; B60B 29/002; B60B 2900/114;  
B60B 83/008; B60B 83/044; B60B 1/0246; B60B 1/0276;  
B60B 21/00; B60B 7/01; B60B 9/28;  
B60B 21/064; B60B 2310/208; B60B 2900/731;  
B60B 35/007; B60B 21/10; B60B 2360/36;  
B60B 25/004; B60B 2900/3318; B60B 2360/324;  
B60B 35/006; B60B 2200/41; B60B 2310/228;  
B60B 9/24; B60B 25/20; B60B 7/0053; B60B 2900/141;  
B60B 2900/561; B60B





3/12; B60B 33/021; B60B 9/02; B60B 2310/206; B60B 2900/1212; B60B 19/12; B60B 2900/116; B60B 2900/551; B60B 7/12; B60B 9/005; B60B 3/004; B60B 1/043; B60B 2310/30; B60B 1/0223; B60B 21/023; B60B 2310/321; B60B 2900/3316; B60B 33/0042; B60B 7/006; B60B 21/102; B60B 2310/307; B60B 27/0063; B60B 2900/523; B60B 35/00; B60B 35/1054; B60B 37/00; B60B 2200/43; B60B 2320/52; B60B 2340/50; B60B 2360/141; B60B 2360/3412; B60B 2900/5118; B60B 33/00; B60B 35/109; B60B 9/04; B60B 1/04; B60B 1/048; B60B 2310/54; B60B 2360/30; B60B 25/00; B60B 25/02; B60B 2900/931; B60B 35/001; B60B 1/006; B60B 19/10; B60B 19/125; B60B 21/104; B60B 2320/50; B60B 2360/34; B60B 3/005; B60B 33/0092; B60B 35/128; B60B 17/0006; B60B 19/04; B60B 2310/226; B60B 2360/106; B60B 2360/322; B60B 25/08; B60B 29/008; B60B 31/02; B60B 7/0033; B60B 1/0269; B60B 11/00; B60B 21/028; B60B 2380/00; B60B 2900/331; B60B 33/0002; B60B 33/0021; B60B 33/0086; B60B 7/0073; B60B 7/008; B60B 1/0215; B60B 15/02; B60B 23/06; B60B 2320/00; B60B 2360/70; B60B 2380/75; B60B 2900/3314; B60B 3/18; B60B 30/02; B60B 30/08; B60B 35/1027; B60B 7/0046; B60B 9/06; B60B 11/10; B60B 15/263; B60B 17/00; B60B 23/04; B60B 2310/211; B60B 7/004; B60B 7/0086; B60B 9/00; B60B 2310/242; B60B 29/003; B60B 33/0063; B60B 33/0081; B60B 33/025; B60B 35/002; B60B 35/1081; B60B 21/06; B60B 21/08; B60B 23/00; B60B 2310/234; B60B 2310/3025; B60B 2310/616; B60B 33/0078; B60B 33/045; B60B 17/0068; B60B 23/08; B60B 2310/212; B60B 2340/18; B60B 2340/52; B60B 25/04; B60B 25/22; B60B 2900/30; B60B 3/041; B60B 31/00; B60B 33/0005; B60B 9/18; B60B 1/023; B60B 1/12; B60B 21/106; B60B 2200/26; B60B 23/12; B60B 2310/241; B60B 2380/76; B60B 29/006; B60B 3/048; B60B 1/0284; B60B 19/06; B60B 2200/432; B60B 2200/47; B60B 2310/314; B60B 25/12; B60B 2900/521; B60B 30/06; B60B 31/005; B60B 33/0094; B60B 1/0207; B60B 15/00; B60B 15/025; B60B 2310/52; B60B 2360/147; B60B 2380/90; B60B 27/0089; B60B 27/042; B60B 3/087; B60B 33/026; B60B 35/008; B60B 35/166; B60B 15/26; B60B 2200/45; B60B 2360/108; B60B 25/10; B60B 2900/3313; B60B 30/10; B60B 35/009; B60B 35/10; B60B 35/124; B60B 9/10; B60B 1/045; B60B 15/18; B60B 15/28; B60B 17/0017; B60B 17/0041; B60B 17/0058; B60B 2310/213; B60B 2310/224; B60B 2310/232; B60B 2320/122; B60B 25/006; B60B 29/007;

(56)

B60B 2900/50; B60B 37/06; B60B 9/12; B60B 11/04; B60B 15/22; B60B 15/266; B60B 17/0013; B60B 19/08; B60B 21/068; B60B 2310/20; B60B 2310/231; B60B 2380/44; B60B 25/008; B60B 25/18; B60B 2900/571; B60B 3/085; B60B 31/06; B60B 33/0084; B60B 35/1009; B60B 35/127; B60B 1/0253; B60B 1/10; B60B 19/006; B60B 21/066; B60B 2310/2082; B60B 2310/311; B60B 2310/621; B60B 2360/344; B60B 25/045; B60B 2900/121; B60B 2900/5116; B60B 2900/911; B60B 3/045; B60B 3/082; B60B 35/005; B60B 1/0238; B60B 15/10; B60B 17/0034; B60B 21/021; B60B 21/108; B60B 2310/3142; B60B 2310/56; B60B 2340/30; B60B 2360/3418; B60B 2360/362; B60B 2380/82; B60B 2900/3315; B60B 30/00; B60B 33/0023; B60B 33/0052; B60B 35/06; B60B 5/00; B60B 7/0026; B60B 7/0093; B60B 17/0044; B60B 17/0055; B60B 19/02; B60B 2200/20; B60B 2200/22; B60B 2310/654; B60B 2380/18; B60B 2380/80; B60B 25/16; B60B 27/045; B60B 33/0036; B60B 1/047; B60B 15/12; B60B 17/0024; B60B 17/0048; B60B 17/0062; B60B 2200/00; B60B 2200/49; B60B 2310/3026; B60B 2340/70; B60B 2360/144; B60B 2360/1442; B60B 2360/348; B60B 2360/94; B60B 2380/70; B60B 25/14; B60B 2900/90; B60B 2900/921; B60B 33/04; B60B 35/1018; B60B 39/00; B60B 1/046; B60B 17/02; B60B 2200/242; B60B 2310/214; B60B 2310/303; B60B 2310/312; B60B 2310/542; B60B 2310/614; B60B 2310/656; B60B 2310/80; B60B 2320/12; B60B 2340/34; B60B 2340/36; B60B 2360/342; B60B 2360/3444; B60B 2360/3464; B60B 2360/366; B60B 2360/368; B60B 2380/92; B60B 29/005; B60B 33/0007; B60B 33/001; B60B 33/0018; B60B 33/0026; B60B 33/08; B60B 35/1036; B60B 35/1063; B60B 7/105; B60B 15/023; B60B 15/026; B60B 15/06; B60B 17/0003; B60B 19/14; B60B 21/125; B60B 2310/3023; B60B 2310/60; B60B 2310/618; B60B 2310/661; B60B 2320/14; B60B 2360/1452; B60B 2360/1458; B60B 2380/772; B60B 2900/323; B60B 2900/70; B60B 3/042; B60B 33/0015; B60B 33/006; B60B 33/02; B60B 37/08; B60B 9/20

See application file for complete search history.

**References Cited**

U.S. PATENT DOCUMENTS

D556,676 S \* 12/2007 Montesinos ..... D12/604  
 8,459,752 B2 6/2013 Russell  
 D703,604 S \* 4/2014 Milicevic ..... D12/213  
 D745,447 S \* 12/2015 Bowden ..... D12/213  
 D747,257 S \* 1/2016 Bowden ..... D12/213  
 D891,350 S \* 7/2020 Taqvi ..... D12/213  
 D904,964 S \* 12/2020 Taqvi ..... D12/213

D937,743 S \* 12/2021 Lyons ..... D12/213  
D941,734 S \* 1/2022 Alperstein ..... D12/213  
11,383,551 B2 7/2022 Kapoor  
2009/0302670 A1 12/2009 Flynn

FOREIGN PATENT DOCUMENTS

EP 1939012 7/2008  
WO 19197751 10/2019  
WO 20025867 2/2020

\* cited by examiner

*Primary Examiner* — Khawaja Anwar  
(74) *Attorney, Agent, or Firm* — Thomas Coester  
Intellectual Property

(57) **CLAIM**

The ornamental design for a wheel protector, as shown and described.

**DESCRIPTION**

FIG. 1 is a front, bottom perspective in the environment of an unclaimed wheel of a wheel protector according to one embodiment of the invention.

FIG. 2 is a front, top, right side perspective of a wheel protector of FIG. 1.

FIG. 3 is a rear, bottom, left side perspective view of the wheel protector of FIG. 1.

FIG. 4 is a front elevation view of the wheel protector of FIG. 1.

FIG. 5 is a rear elevation view of the wheel protector of FIG. 1.

FIG. 6 is a left side elevation view of the wheel protector of FIG. 1.

FIG. 7 is a right side elevation view of the wheel protector of FIG. 1.

FIG. 8 is a top plan view of the wheel protector of FIG. 1; and,

FIG. 9 is a bottom plan view of the wheel protector of FIG. 1.

The broken lines shown in the drawings are for environmental purposes only and form no part of the claimed design.

**1 Claim, 7 Drawing Sheets**



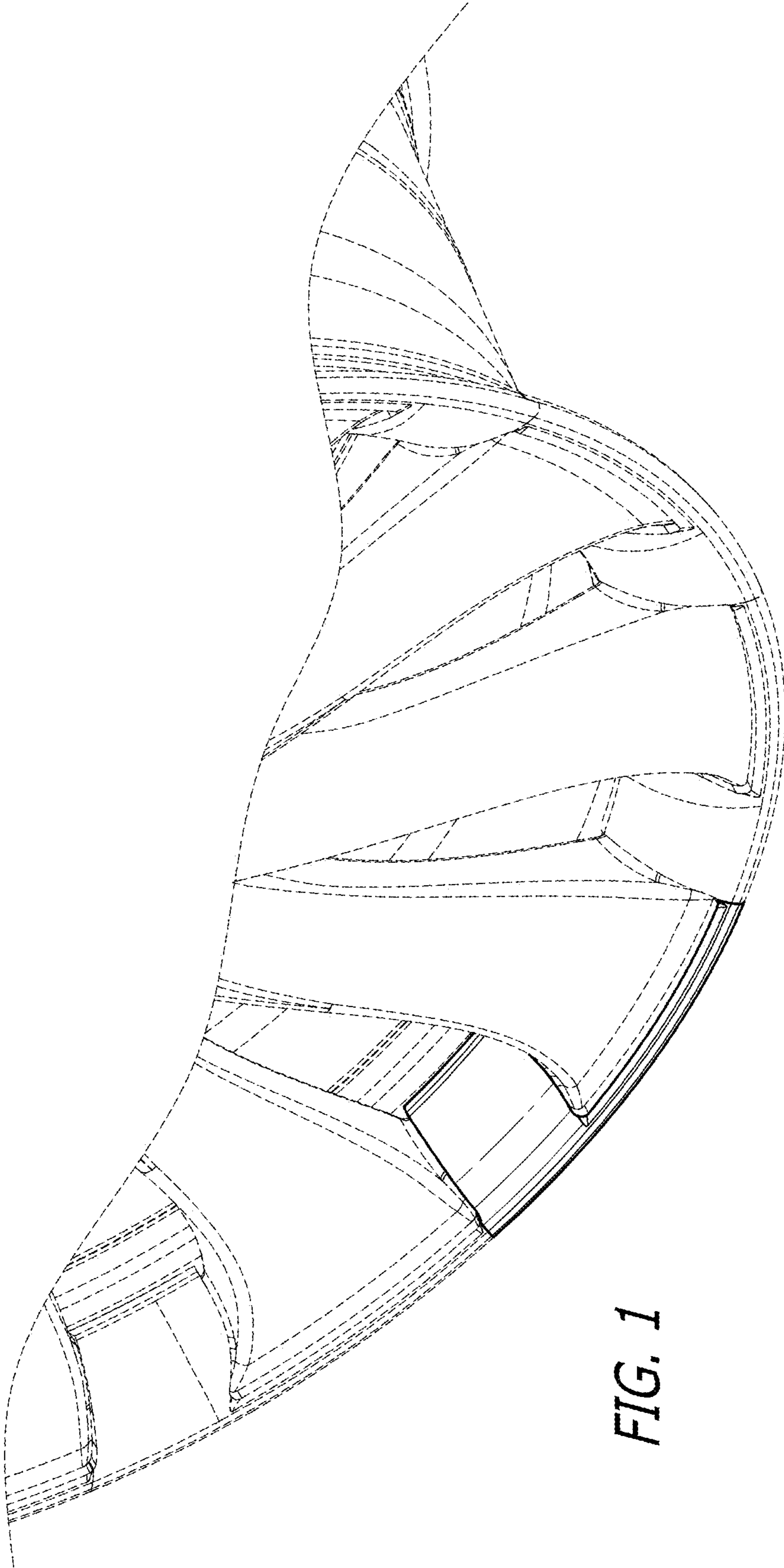
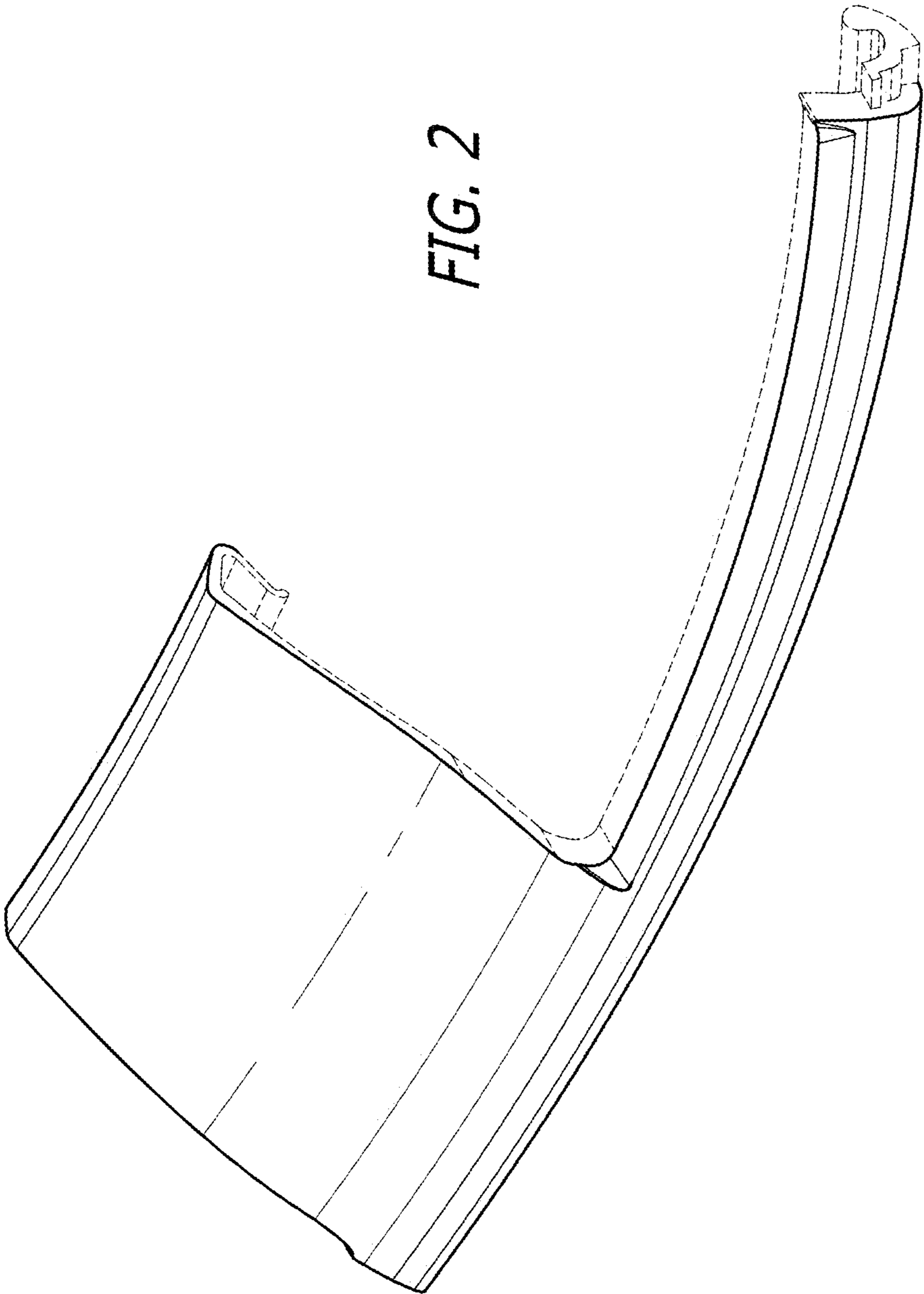


FIG. 1



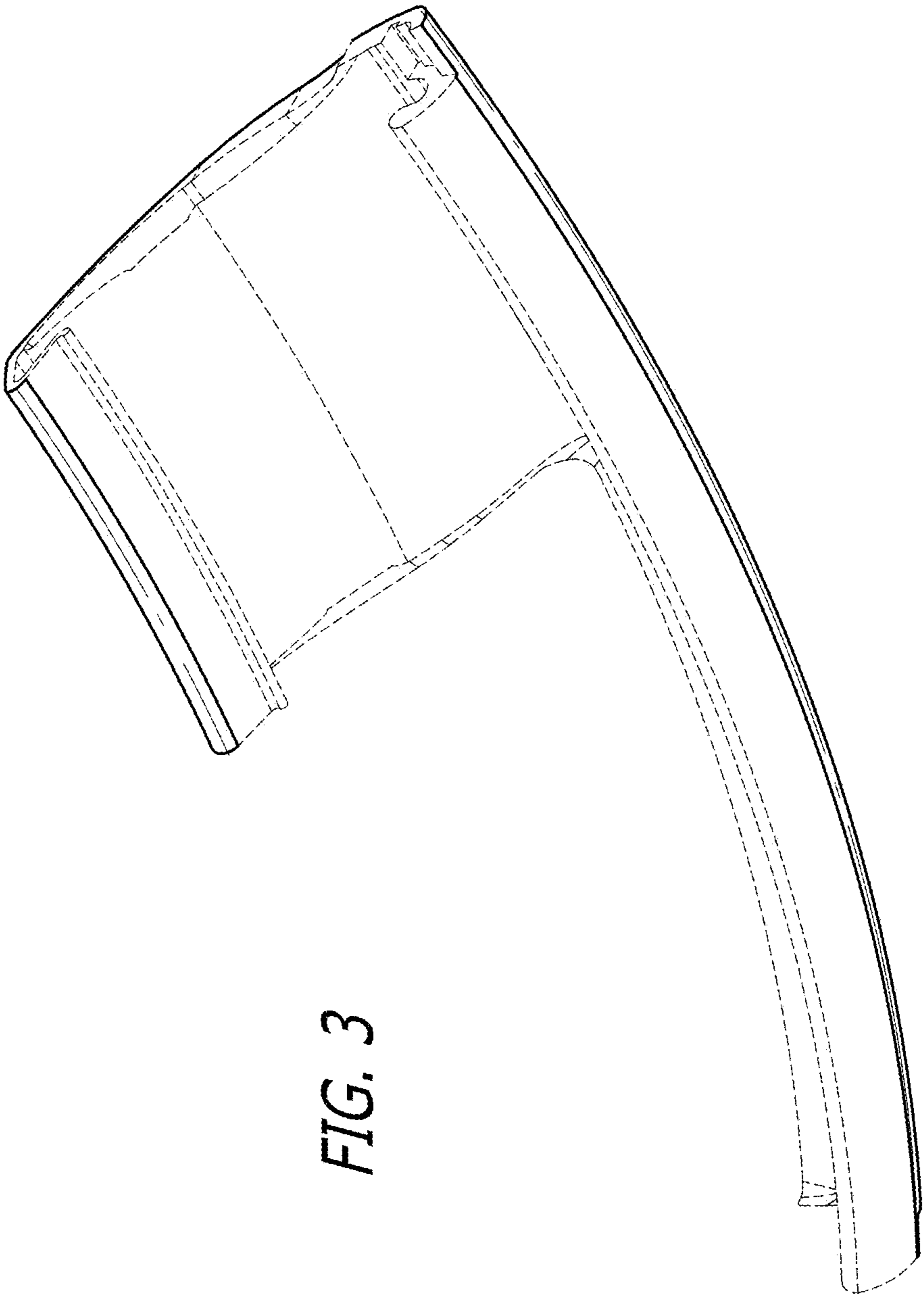


FIG. 3

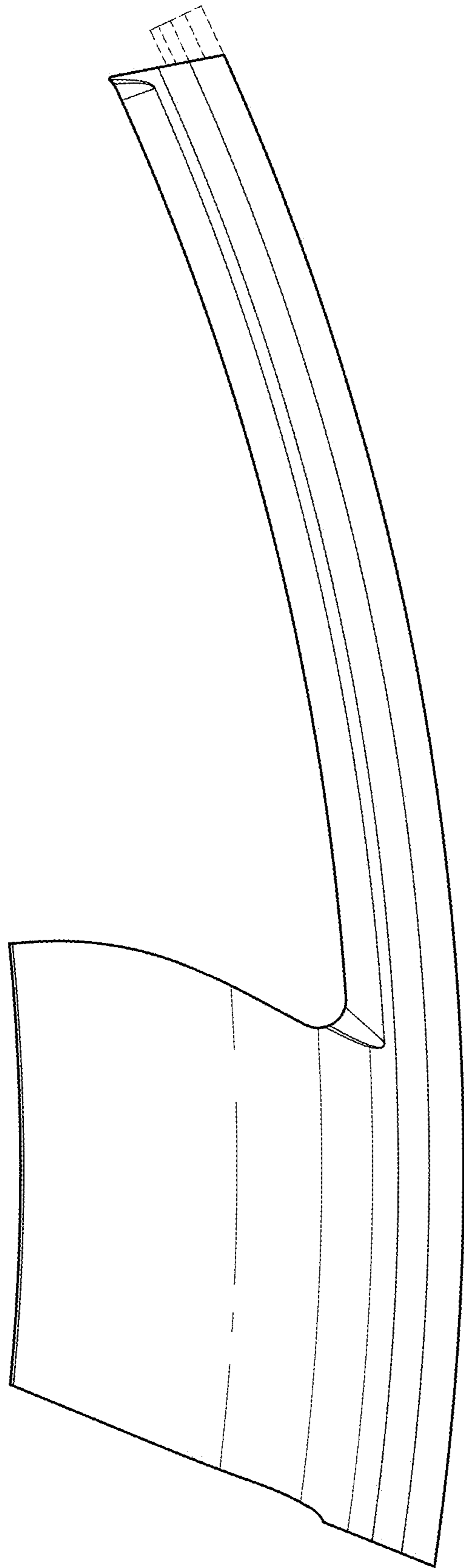


FIG. 4

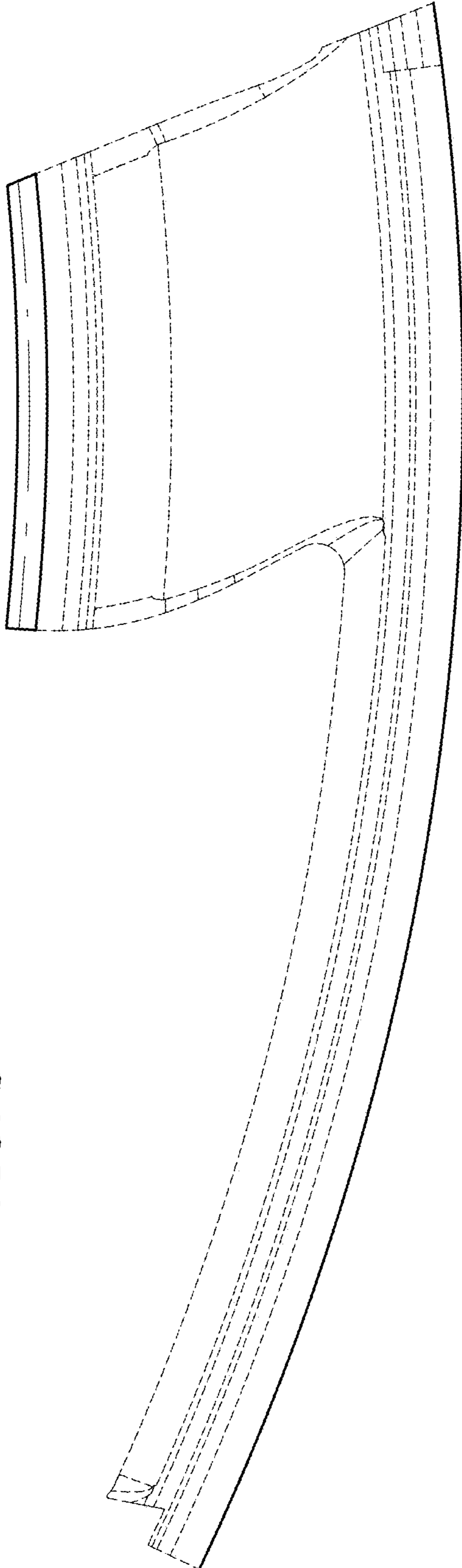


FIG. 5



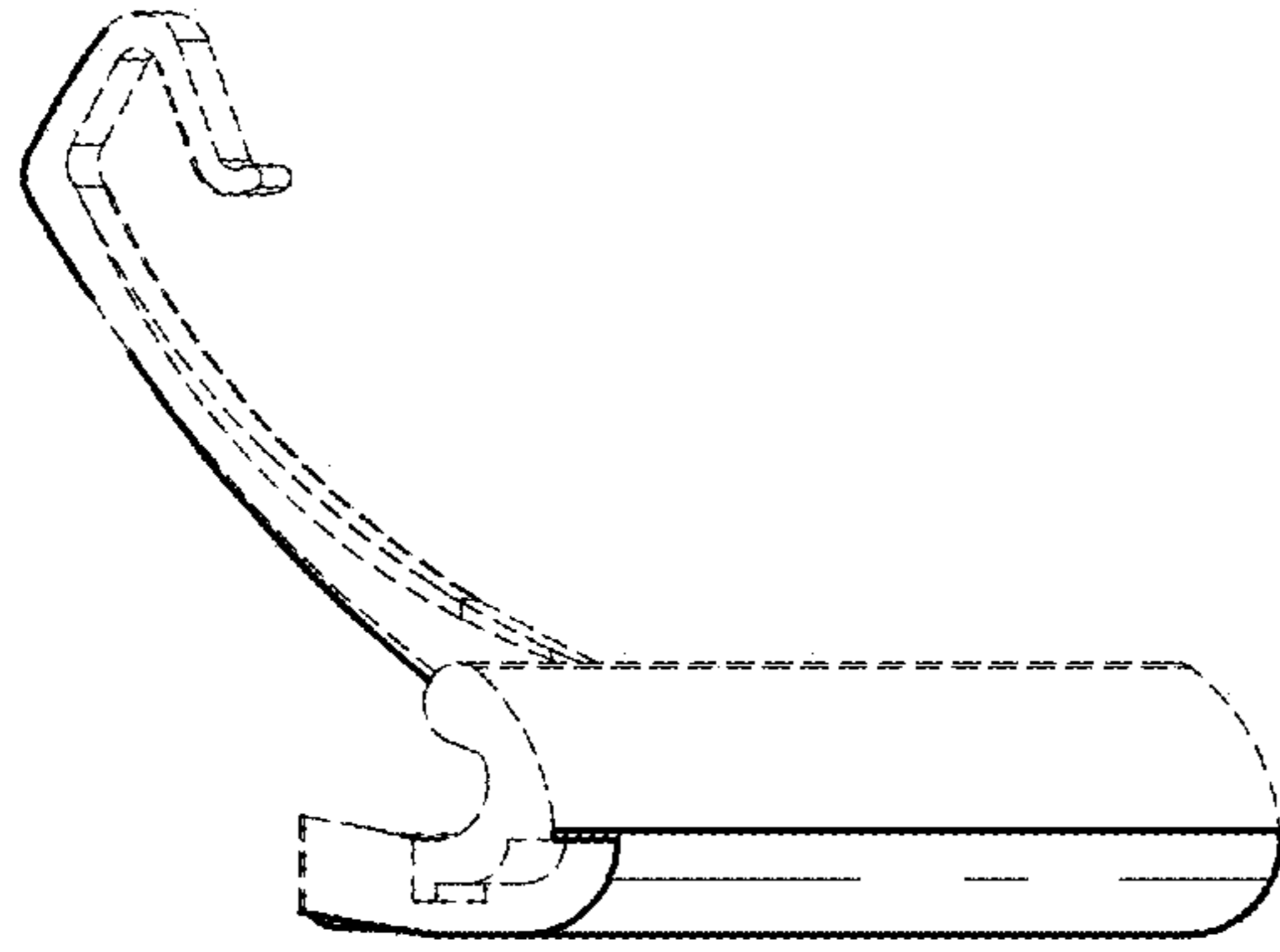


FIG. 7

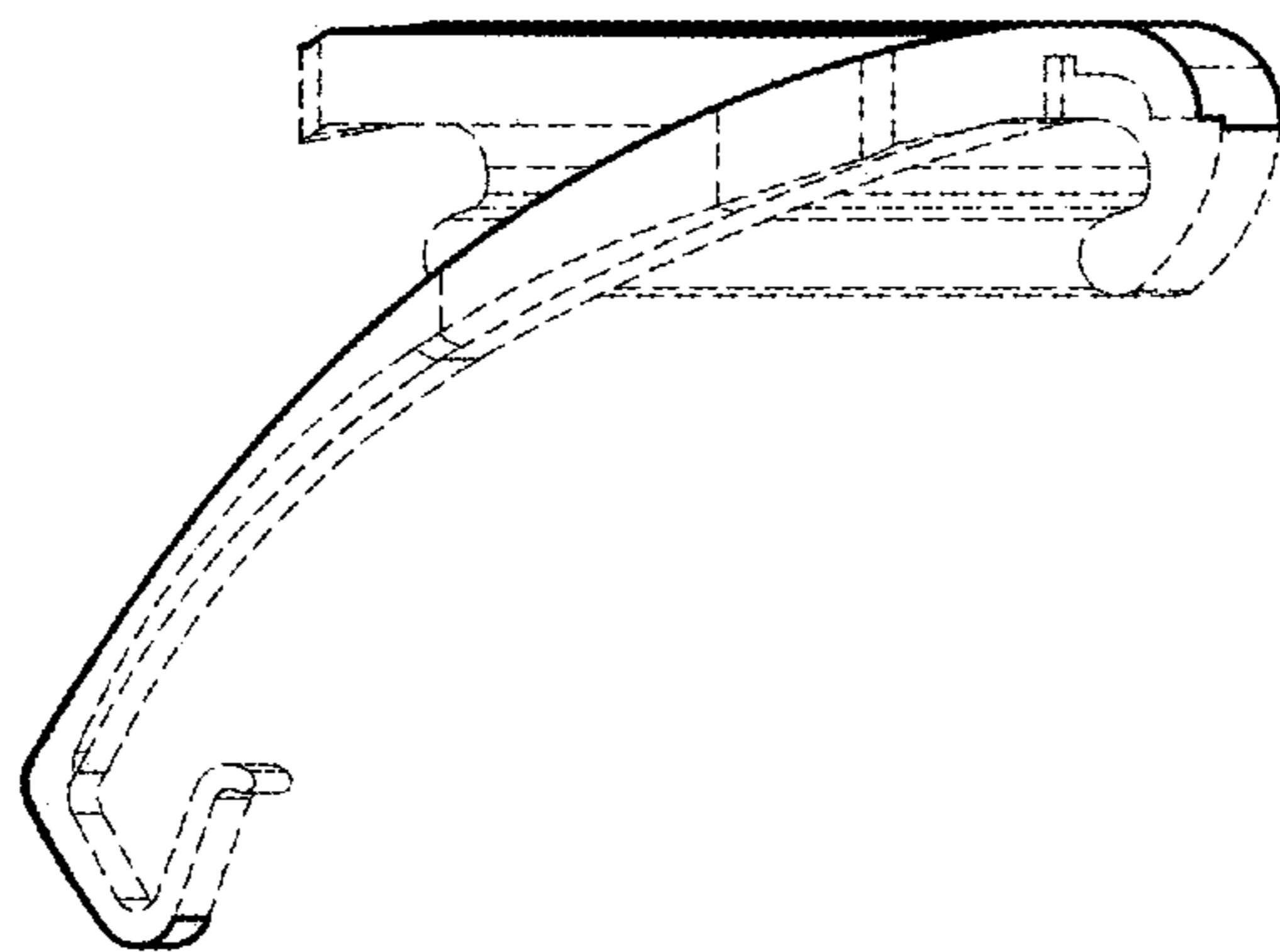


FIG. 6

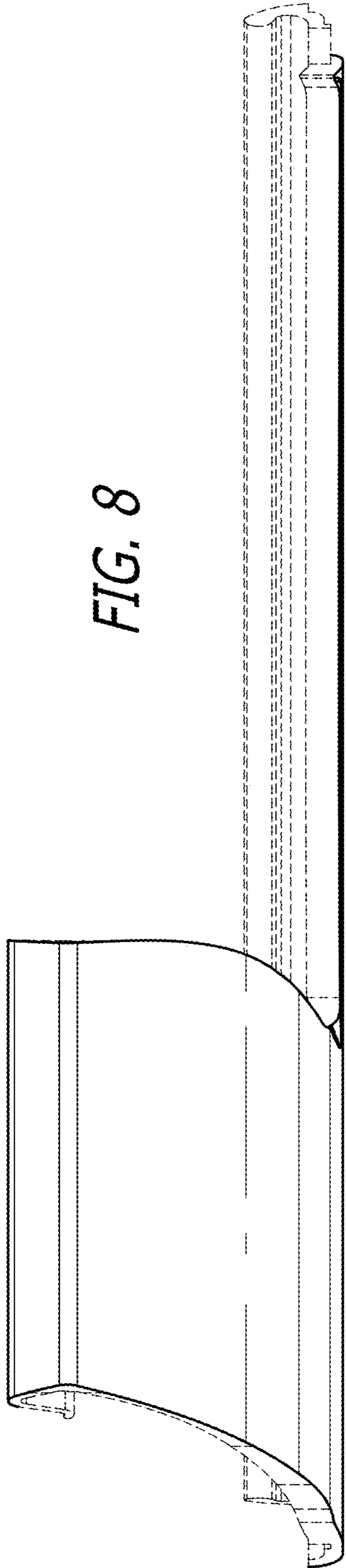


FIG. 8

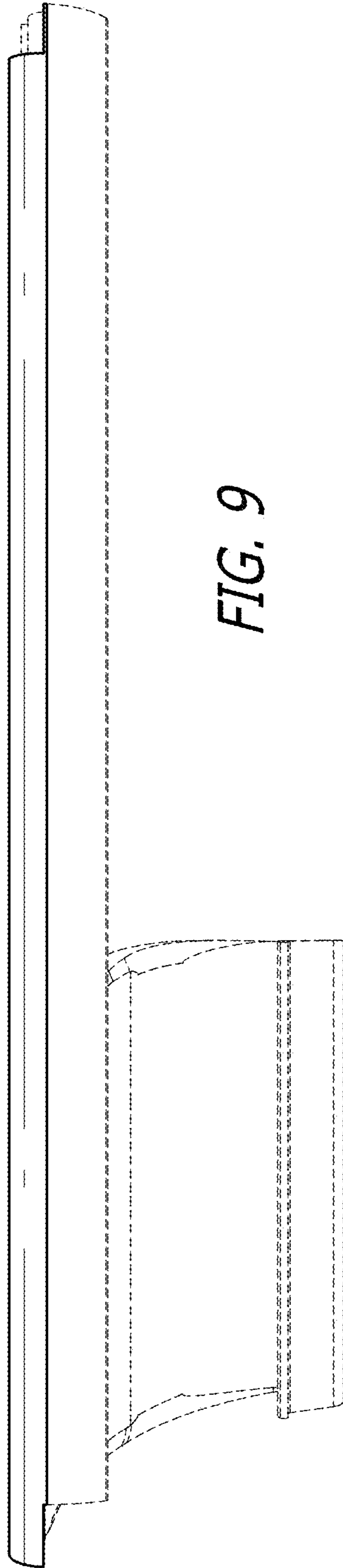


FIG. 9