



US00D988221S

(12) **United States Design Patent**  
**Lu et al.**

(10) **Patent No.:** **US D988,221 S**

(45) **Date of Patent:** **\*\* Jun. 6, 2023**

(54) **WHEEL RIM**

(71) Applicant: **Jiangsu Jinpeng Group CO., LTD,**  
Xuzhou (CN)

(72) Inventors: **Jie Lu,** Xuzhou (CN); **Dongjun Zhou,**  
Xuzhou (CN); **Jing Mou,** Xuzhou  
(CN); **Yanli Yang,** Xuzhou (CN); **Xiang**  
**Lu,** Xuzhou (CN)

(73) Assignee: **JIANGSU JINPENG GROUP CO.,**  
**LTD,** Xuzhou (CN)

(\*\*) Term: **15 Years**

(21) Appl. No.: **29/785,718**

(22) Filed: **May 27, 2021**

(30) **Foreign Application Priority Data**

Dec. 30, 2020 (CN) ..... 202030821092.6

(51) **LOC (14) Cl.** ..... **12-16**

(52) **U.S. Cl.**  
USPC ..... **D12/208**

(58) **Field of Classification Search**  
USPC ..... D12/133, 204–213, 501; D21/533, 563,  
D21/779; D8/375; D3/318  
CPC .... B60B 7/00; B60B 7/01; B60B 7/02; B60B  
7/04; B60B 7/06; B60B 3/02; B60B 3/04;  
B60B 3/06; B60B 3/10; B60B 1/00;  
B60B 1/08; B60B 1/10; B60B 1/12  
See application file for complete search history.

(56) **References Cited**

U.S. PATENT DOCUMENTS

D276,717 S \* 12/1984 Ogishima ..... D12/211  
D372,696 S \* 8/1996 Tung ..... D12/209

D388,749 S \* 1/1998 Kiser ..... D12/211  
D389,101 S \* 1/1998 Julien ..... D12/570  
D436,908 S \* 1/2001 Yeh ..... D12/209  
D550,602 S \* 9/2007 Shimokawa ..... D12/209  
D559,757 S \* 1/2008 Shimokawa ..... D12/211  
D573,078 S \* 7/2008 Longpre ..... D12/209  
D576,795 S \* 9/2008 Moon ..... D3/318  
D592,042 S \* 5/2009 Brodbeck ..... D8/375  
D659,626 S \* 5/2012 Frei ..... D12/209  
D739,794 S \* 9/2015 Juskowich ..... D12/209  
D739,795 S \* 9/2015 Juskowich ..... D12/209

\* cited by examiner

*Primary Examiner* — Cary M Robinson

*Assistant Examiner* — Adam C Mager

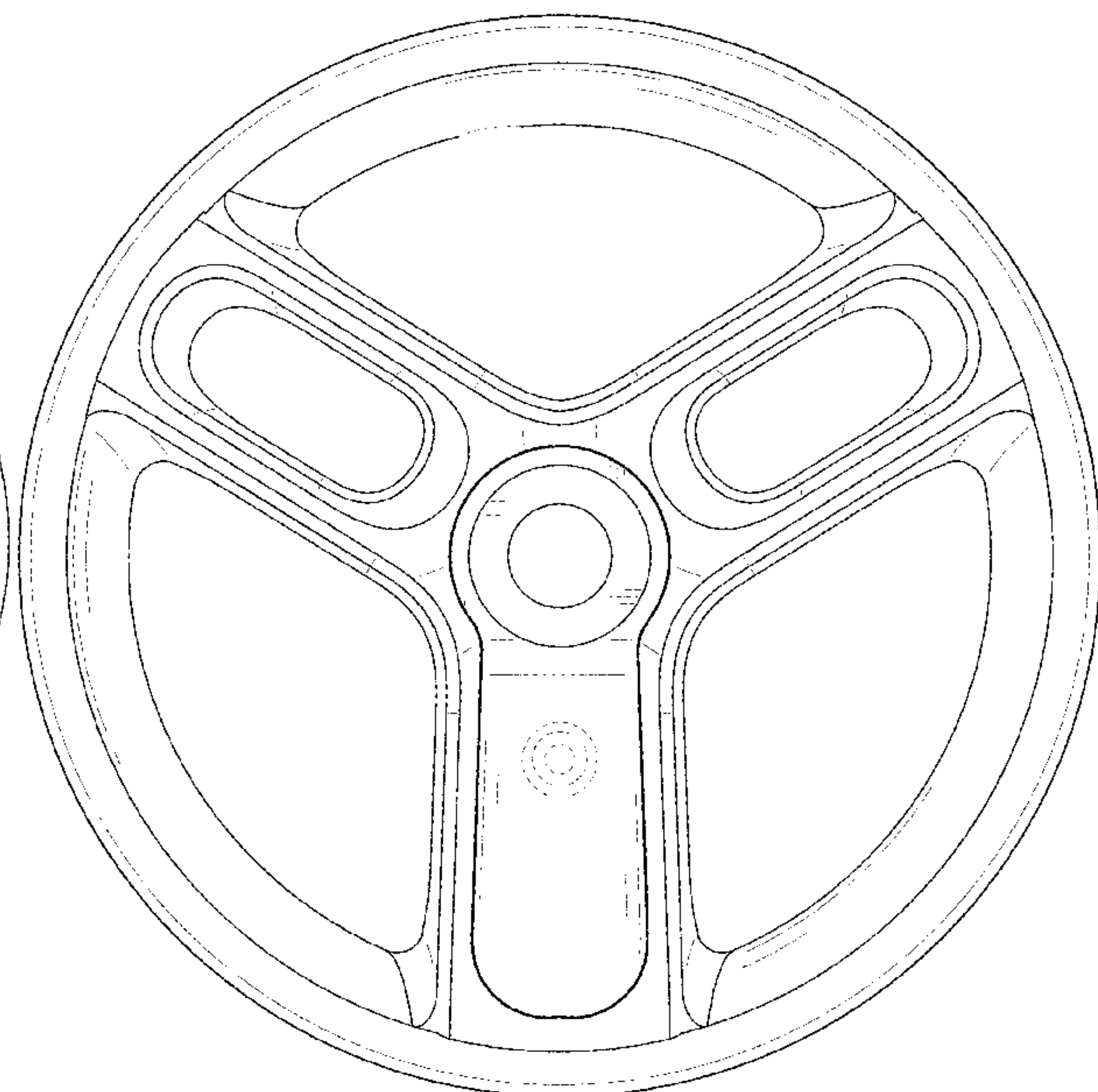
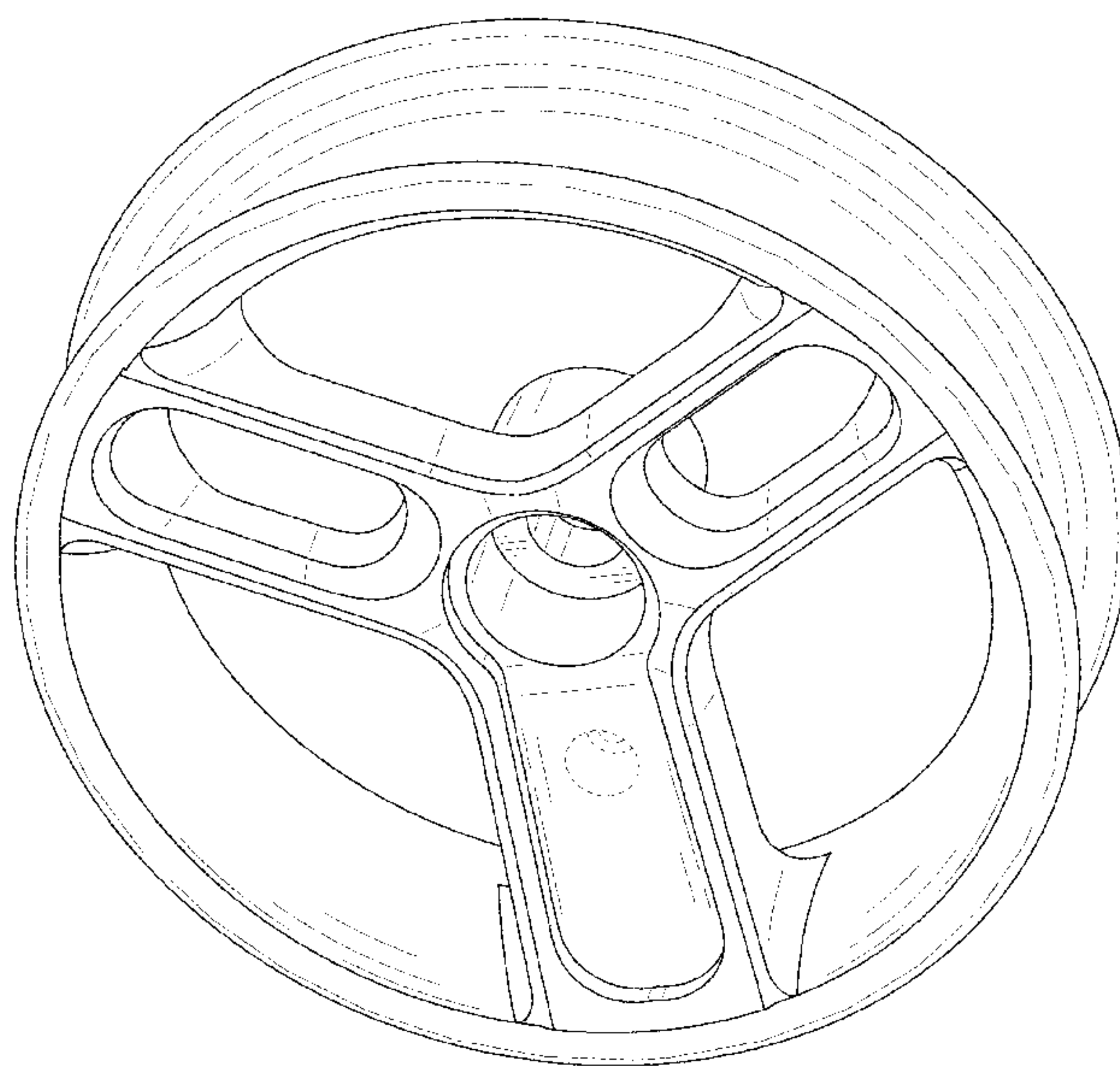
(57) **CLAIM**

The ornamental design for a wheel rim, as shown and described.

**DESCRIPTION**

FIG. 1 is a perspective view of a wheel rim showing my new design;  
FIG. 2 is another perspective view thereof;  
FIG. 3 is a front elevational view thereof;  
FIG. 4 is a rear elevational view thereof;  
FIG. 5 is a left side elevational view thereof;  
FIG. 6 is a right side elevational view thereof;  
FIG. 7 is a top plan view thereof; and,  
FIG. 8 is a bottom plan view thereof.  
The broken lines in the drawings are for the purpose of illustrating portions of the wheel rim that form no part of the claimed design.

**1 Claim, 8 Drawing Sheets**



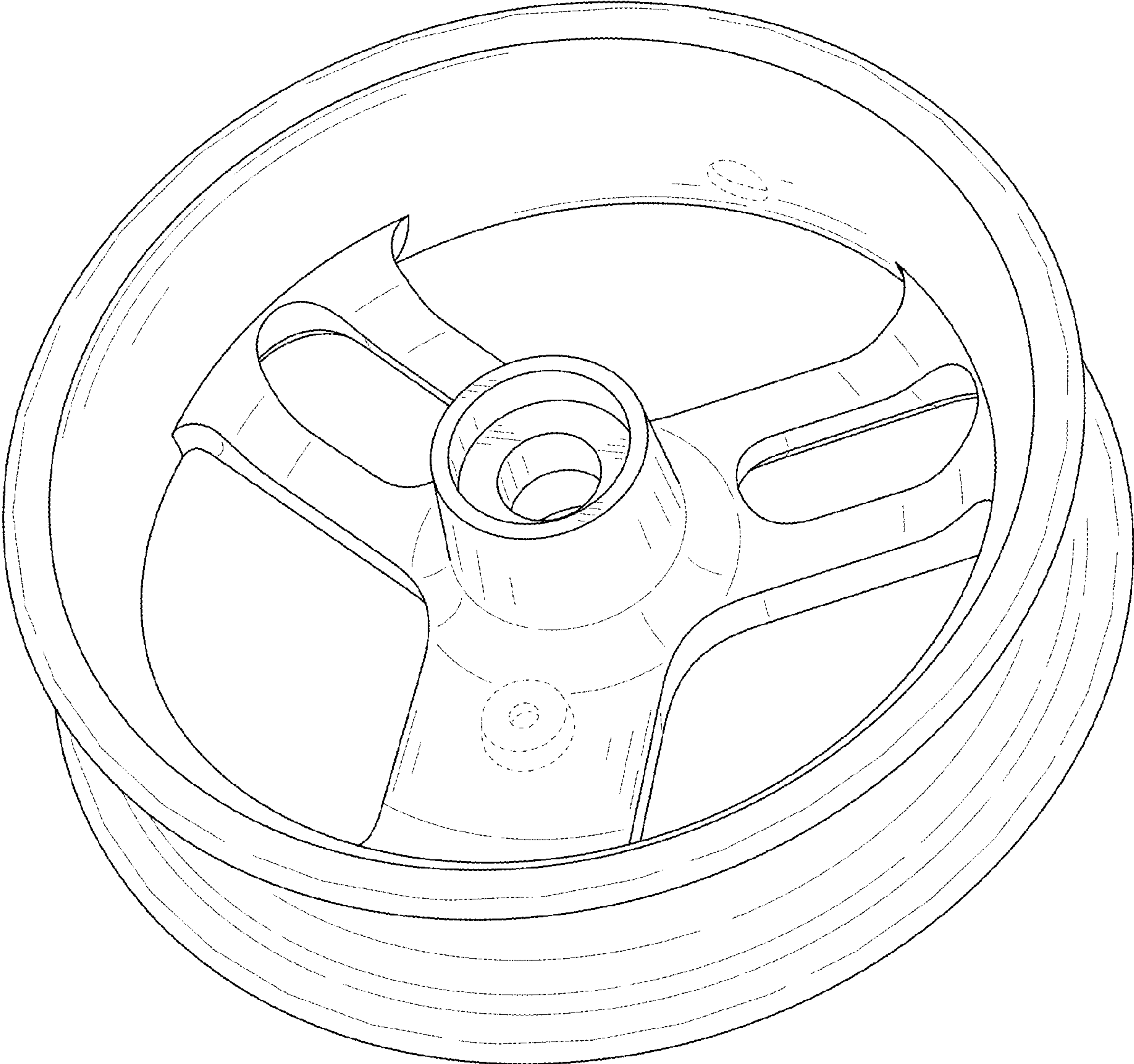


FIG. 1

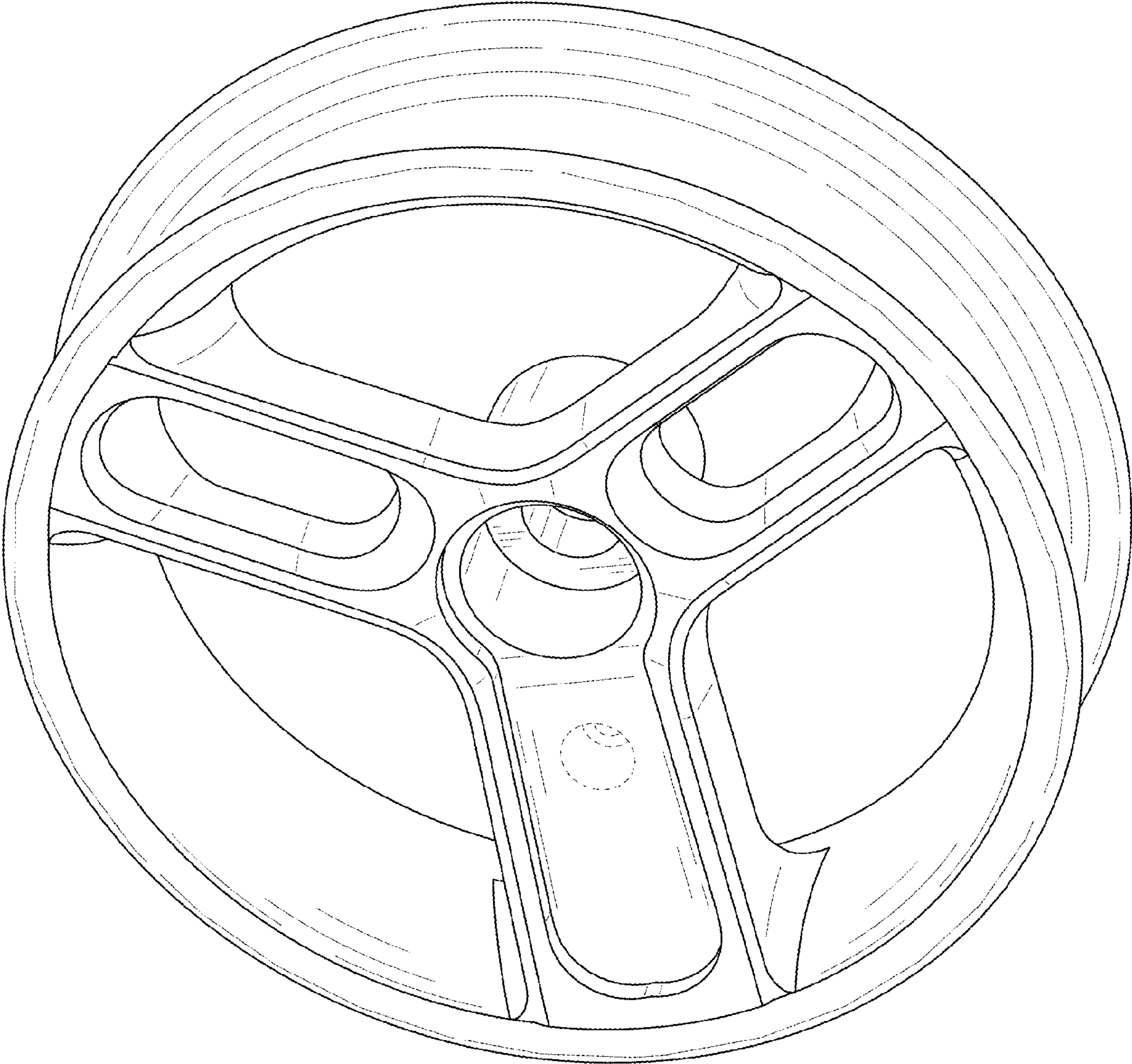


FIG. 2



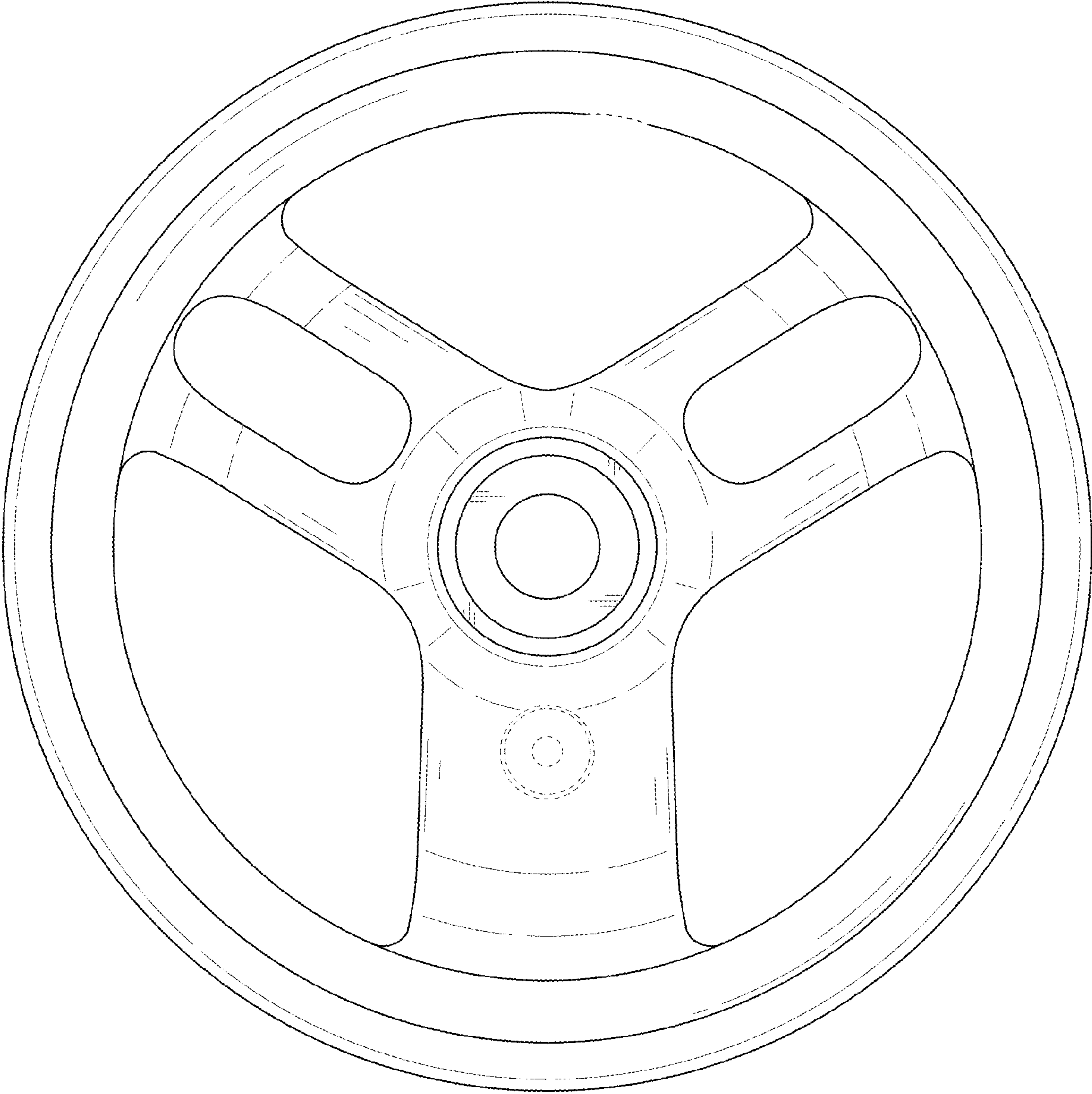


FIG. 3

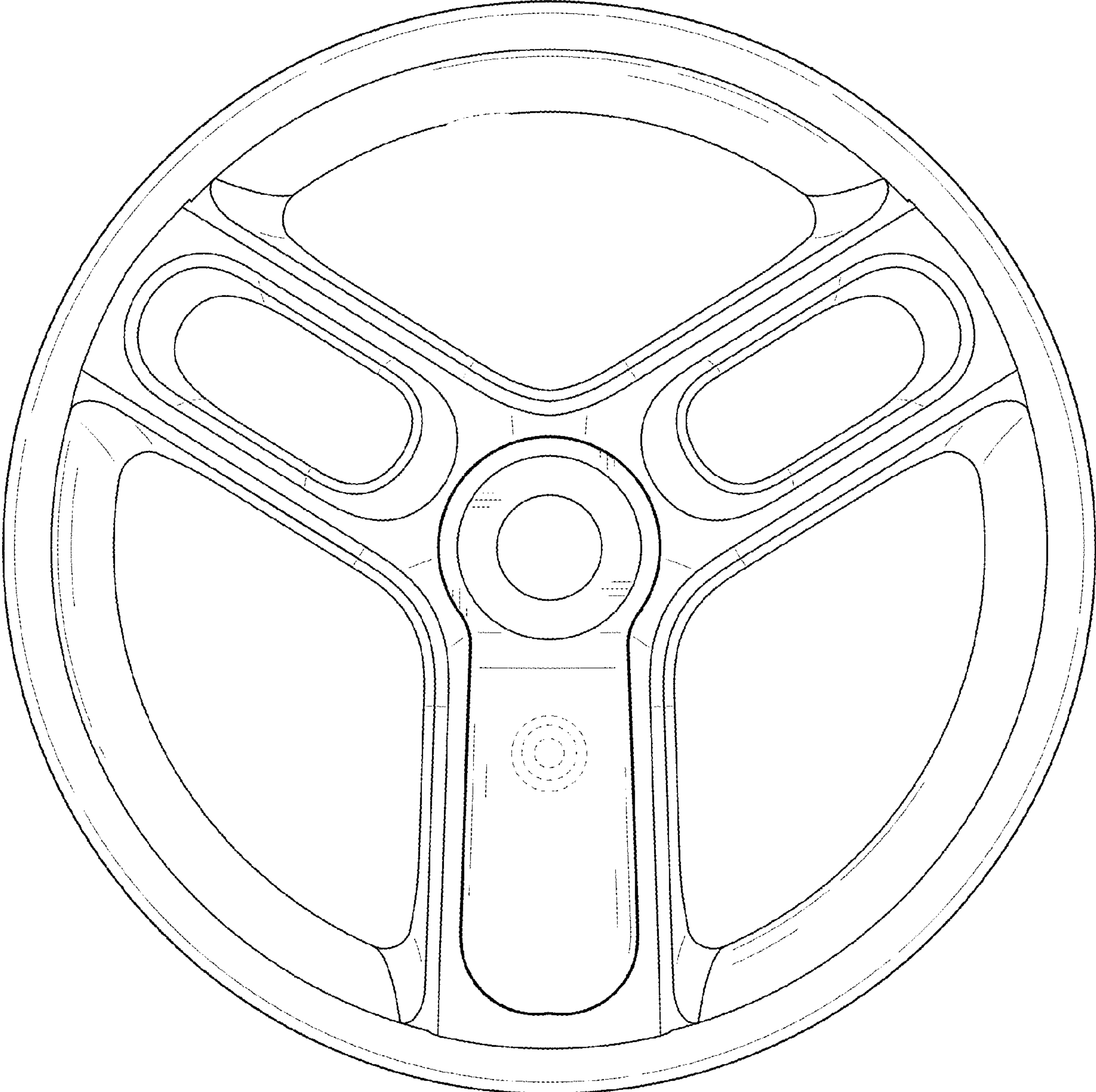


FIG. 4

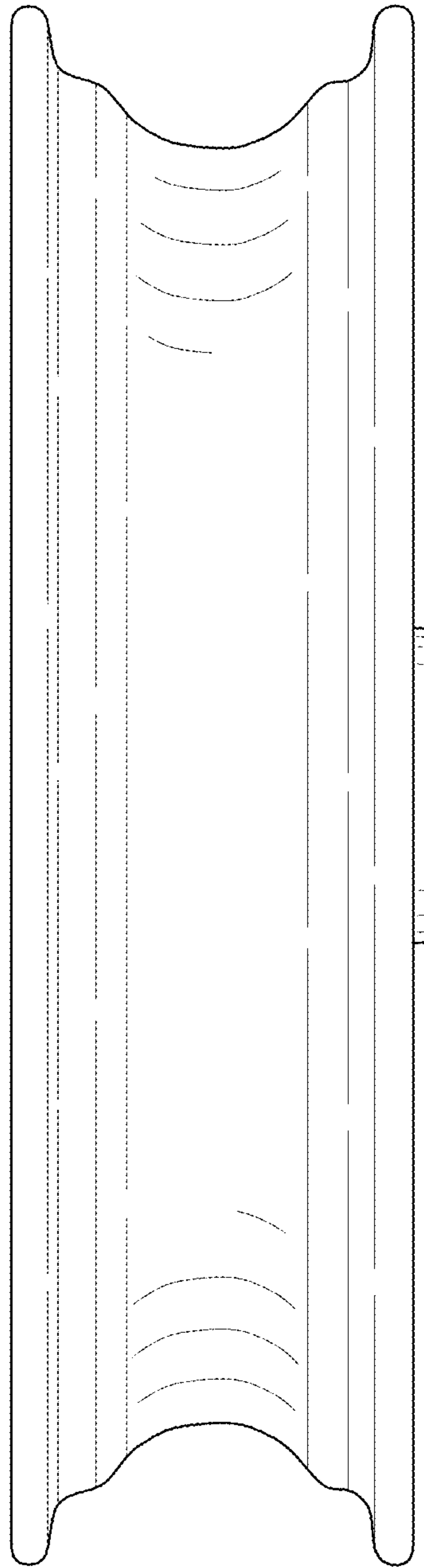


FIG. 5

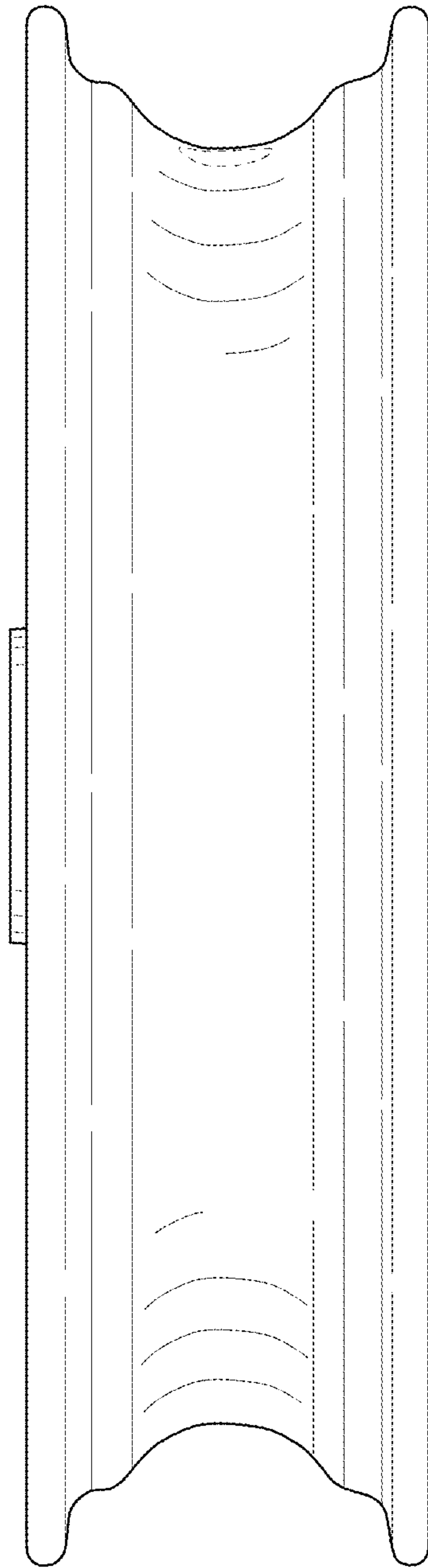


FIG. 6

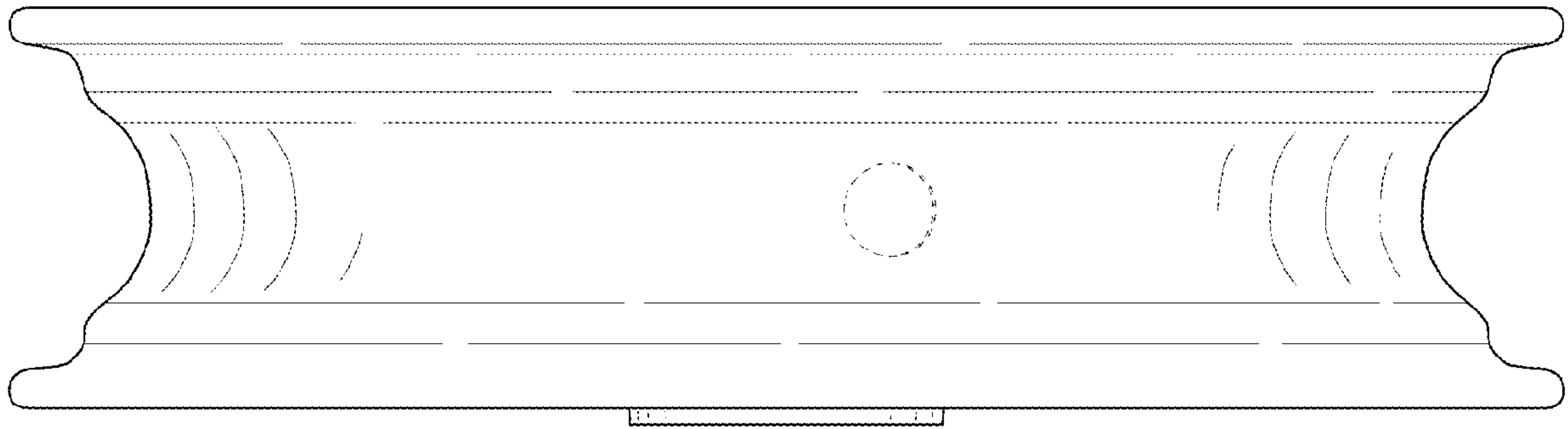


FIG. 7



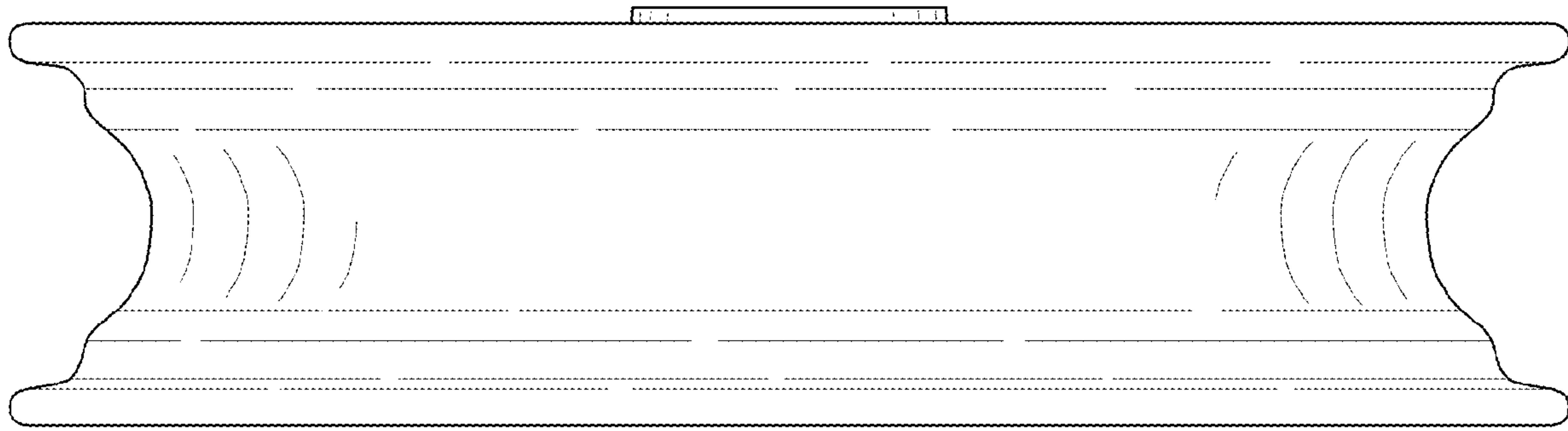


FIG. 8