



US00D988219S

(12) **United States Design Patent**
Yan

(10) **Patent No.:** **US D988,219 S**

(45) **Date of Patent:** **** Jun. 6, 2023**

(54) **MULTIMEDIA PLAYER**

(71) Applicant: **Yixin Yan**, Hunan (CN)

(72) Inventor: **Yixin Yan**, Hunan (CN)

(**) Term: **15 Years**

(21) Appl. No.: **29/885,633**

(22) Filed: **Feb. 27, 2023**

(51) **LOC (14) Cl.** **14-01**

(52) **U.S. Cl.**
USPC **D14/258**

(58) **Field of Classification Search**
USPC D14/125–126, 155–159, 160–173,
D14/187–188, 191–198, 203.1, 203.2,
D14/203.7, 204–216, 217–222, 225–229,
D14/257, 258, 445, 496, 499, 500;
D16/200–208, 211, 216–219, 221, 225,
D16/230, 237; D10/65–66, 74, 110,
D10/113.4, 114.3, 117; D7/340,
D7/347–349, 351; D12/192
CPC H04R 1/02; H04R 1/021; H04R 1/025;
H04R 1/026; H04R 1/028; H04R 1/06;
H04R 1/105; H04R 1/323; H04R 1/403;
H04R 1/2803; H04R 1/2834
See application file for complete search history.

(56) **References Cited**

U.S. PATENT DOCUMENTS

D445,783 S 7/2001 Buchard
D594,431 S * 6/2009 Vitito D14/129
D637,984 S * 5/2011 Willard D14/129
D673,472 S * 1/2013 Sugita D10/70

D689,384 S * 9/2013 Morikawa D10/70
D698,671 S * 2/2014 Takahara D10/70
D726,561 S * 4/2015 Endo D10/65
D726,563 S * 4/2015 Endo D10/65
D737,859 S * 9/2015 Morikawa D14/258
D817,321 S * 5/2018 Sakata D14/258
D817,359 S * 5/2018 Mihara D14/258
D864,191 S * 10/2019 Sakata D14/258
D910,520 S * 2/2021 Seifert D12/192
D911,193 S * 2/2021 Endo D10/74

* cited by examiner

Primary Examiner — Cary M Robinson

Assistant Examiner — Adam C Mager

(74) *Attorney, Agent, or Firm* — Justin Lampel

(57) **CLAIM**

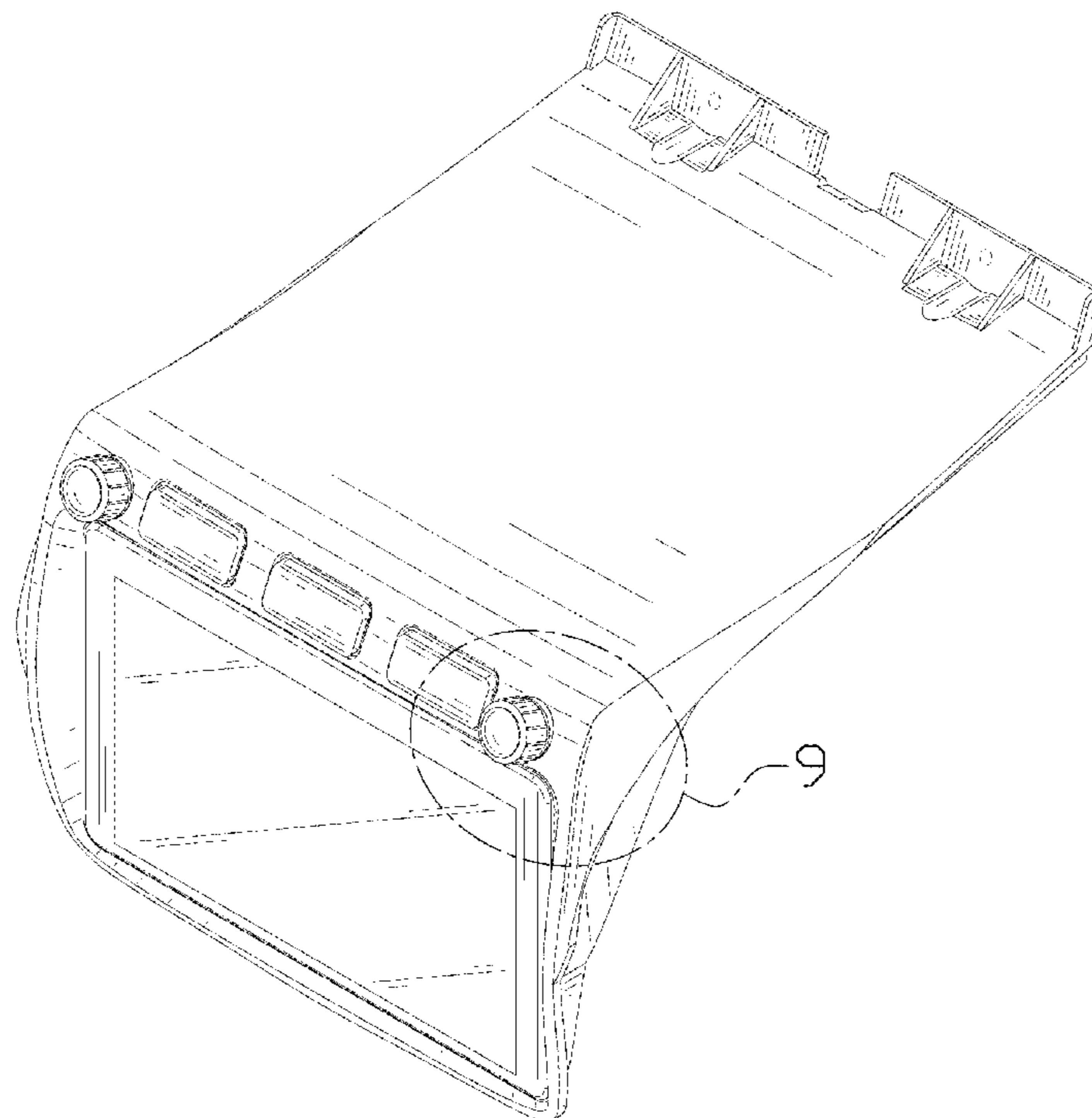
The ornamental design for a multimedia player, as shown and described.

DESCRIPTION

FIG. 1 is a perspective view of a multimedia player showing the claimed design;
FIG. 2 is another perspective view of multimedia player showing the claimed design;
FIG. 3 is a front elevational view thereof;
FIG. 4 is a rear elevational view thereof;
FIG. 5 is a left side view thereof;
FIG. 6 is a right side view thereof;
FIG. 7 is a top plan view thereof;
FIG. 8 is a bottom plan view thereof; and,
FIG. 9 is a partial enlarged view of an area labeled 9 in FIG. 1.

The broken lines illustrate portions of the multimedia player that form no part of the claimed design.

1 Claim, 9 Drawing Sheets



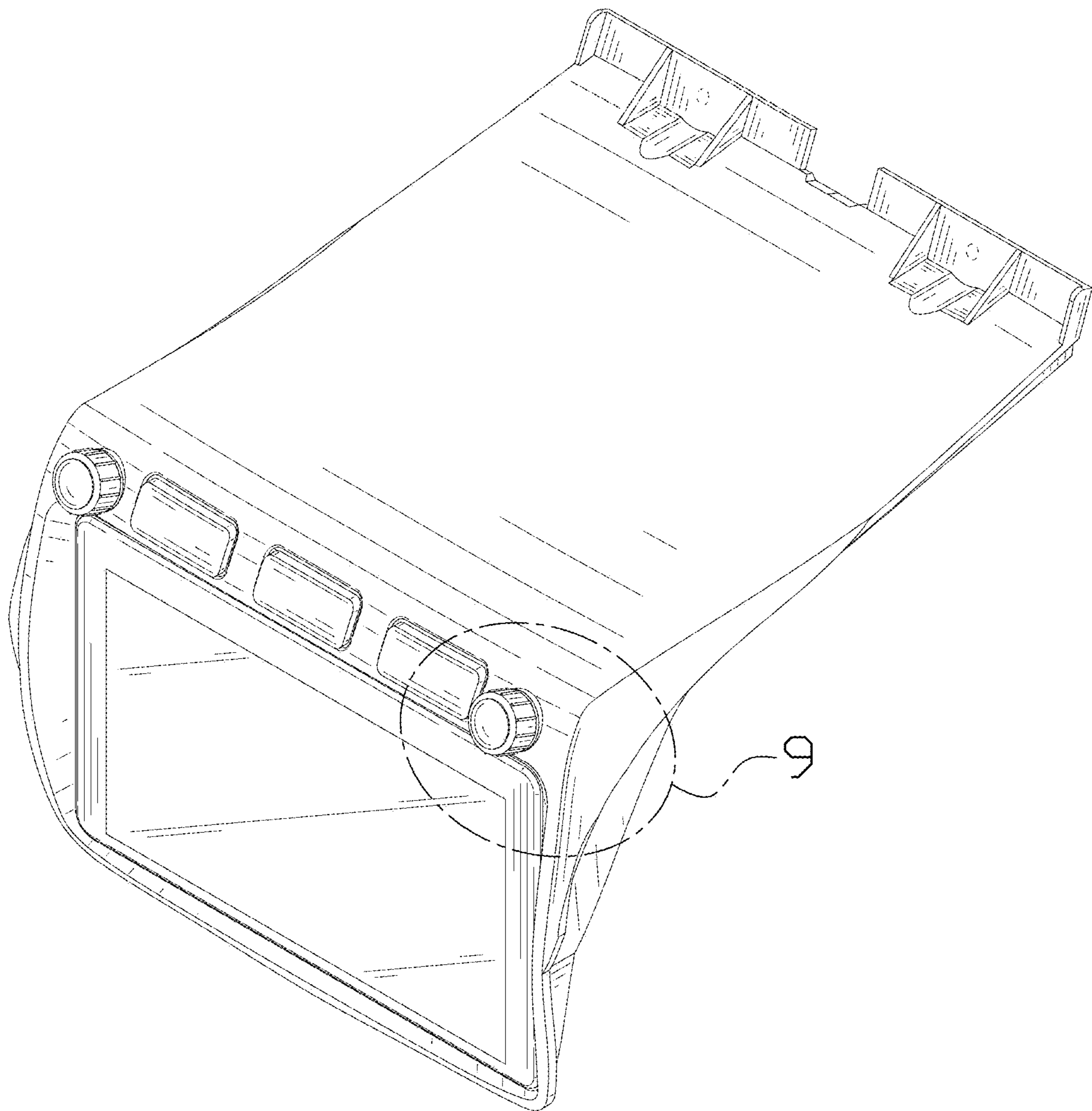


FIG. 1

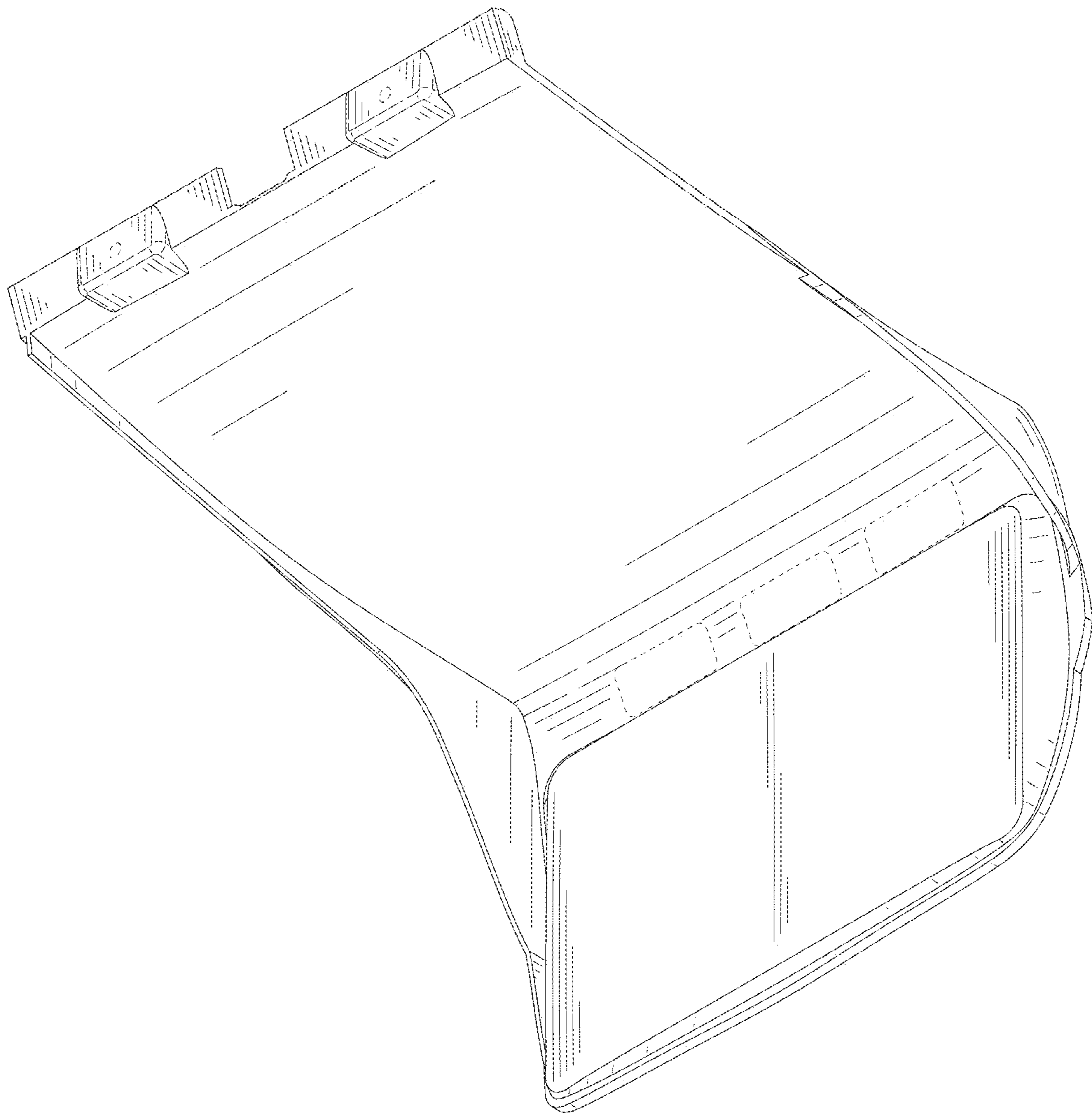


FIG. 2

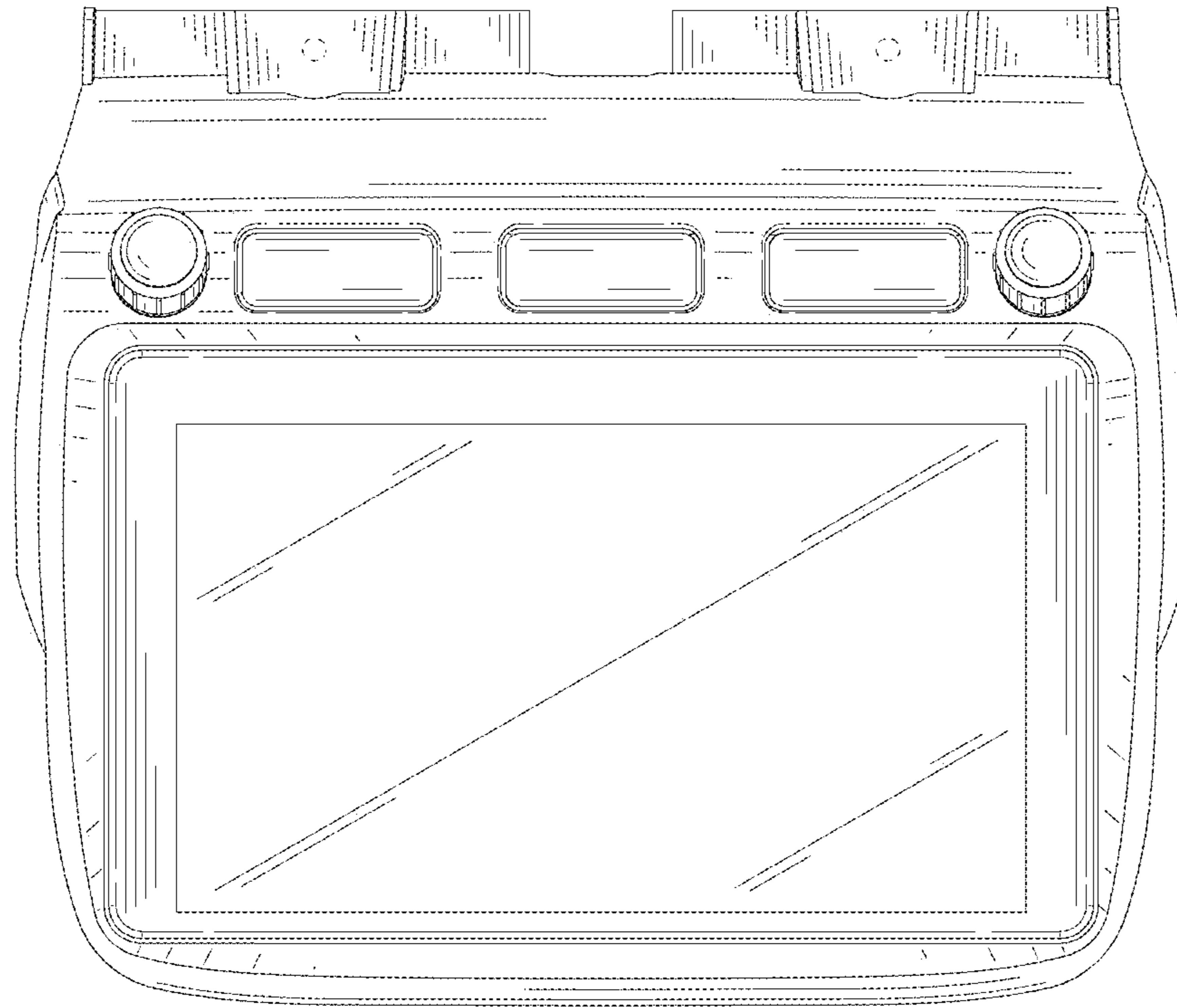


FIG. 3

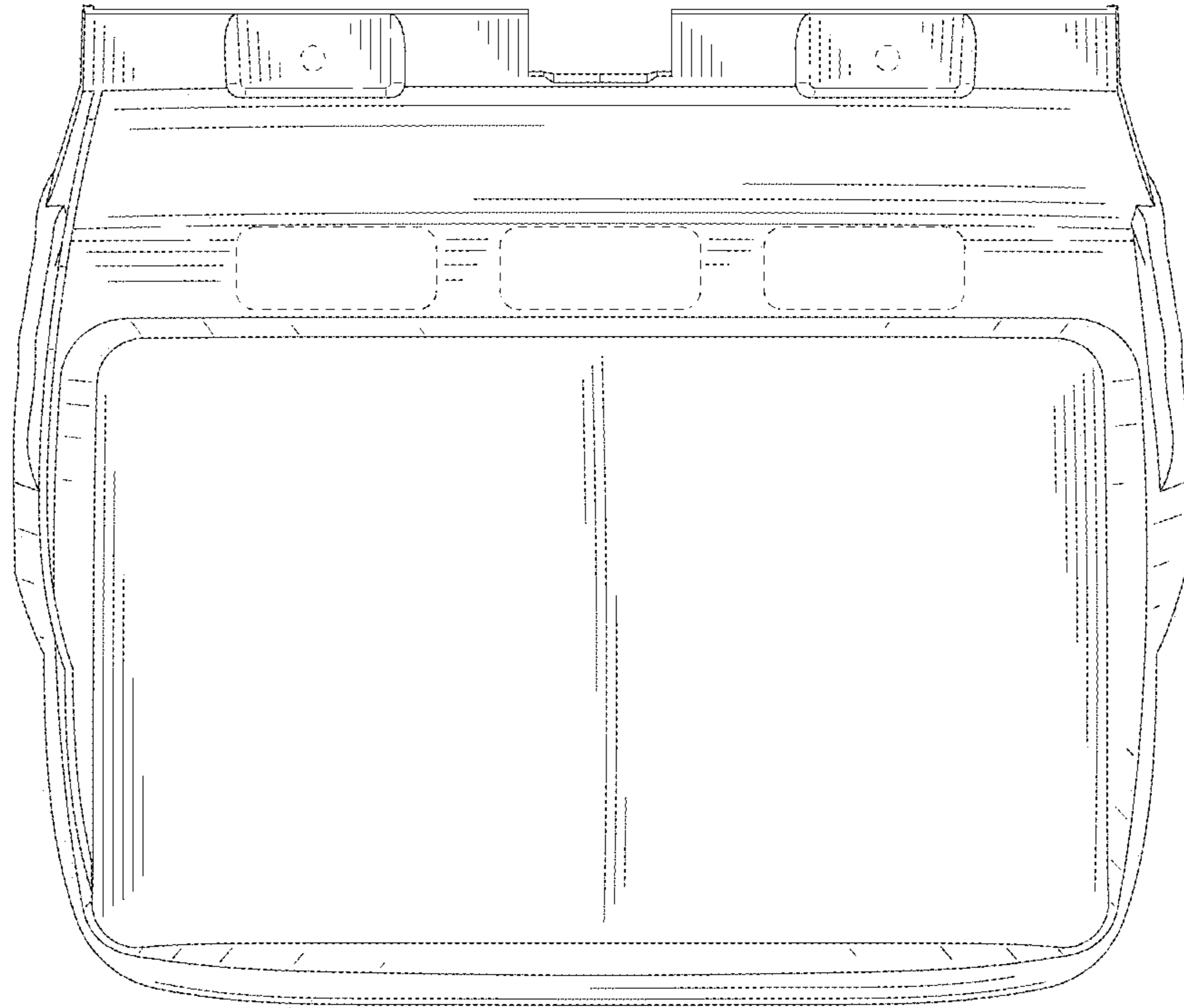


FIG. 4

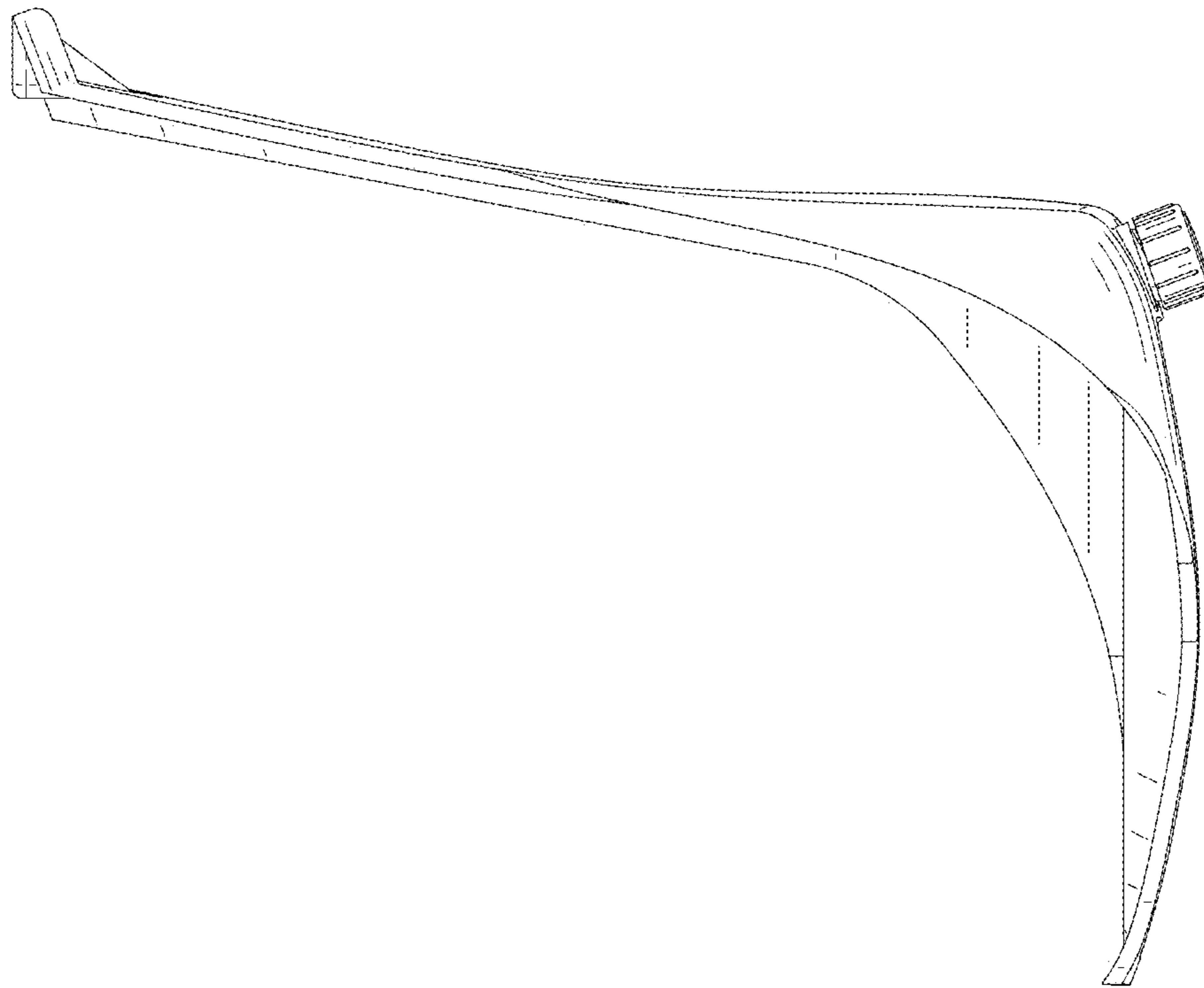


FIG. 5

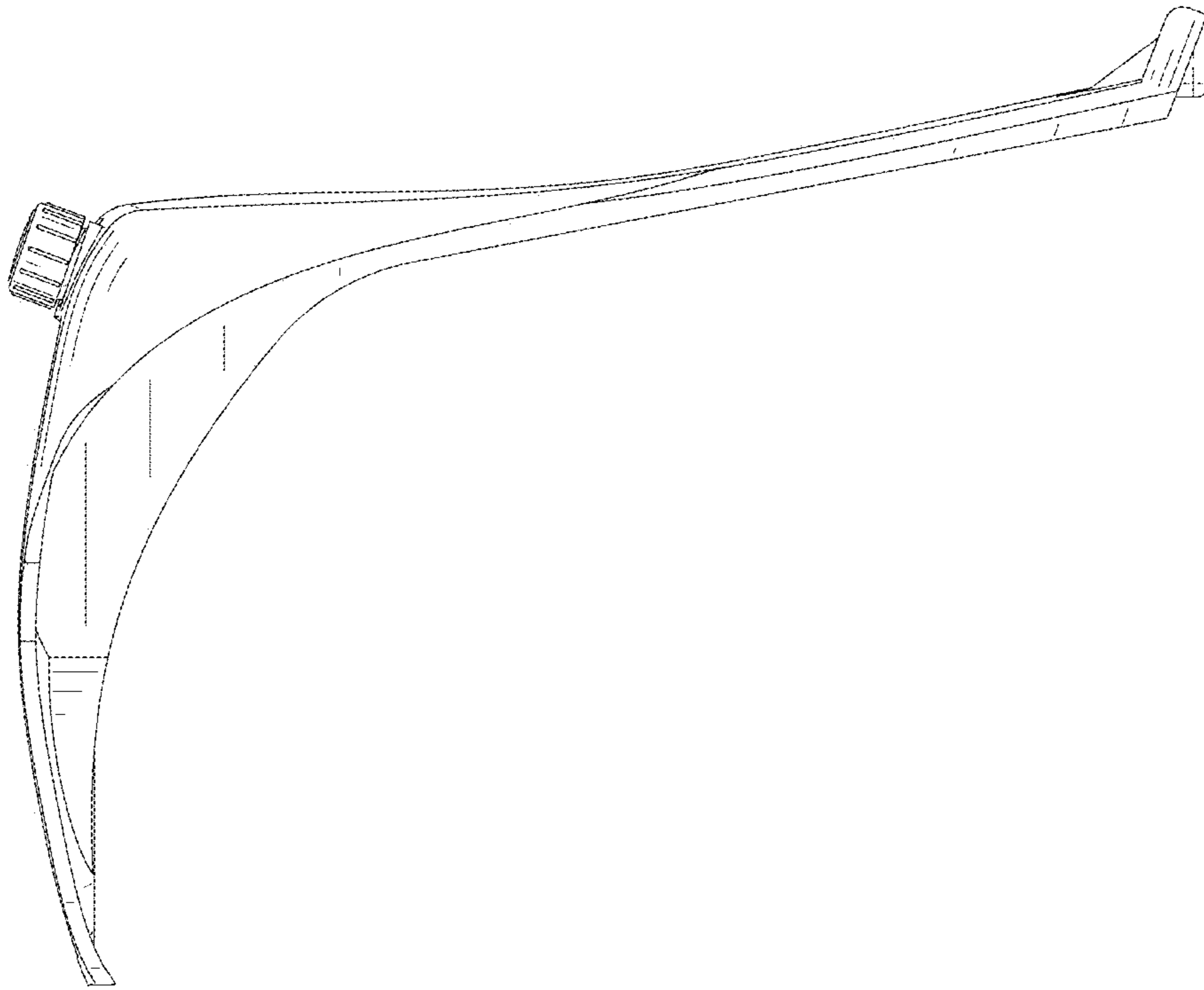


FIG. 6

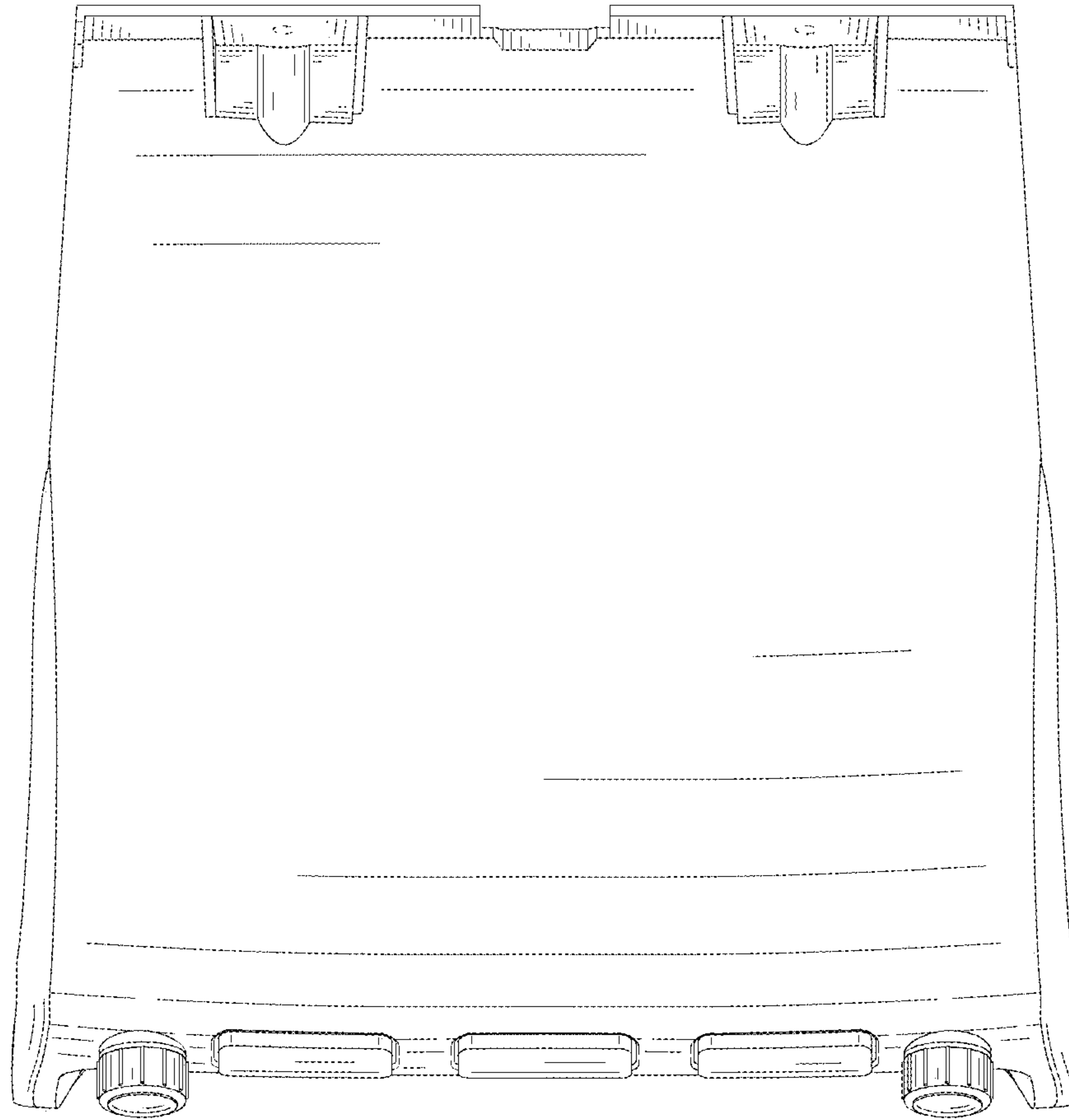


FIG. 7

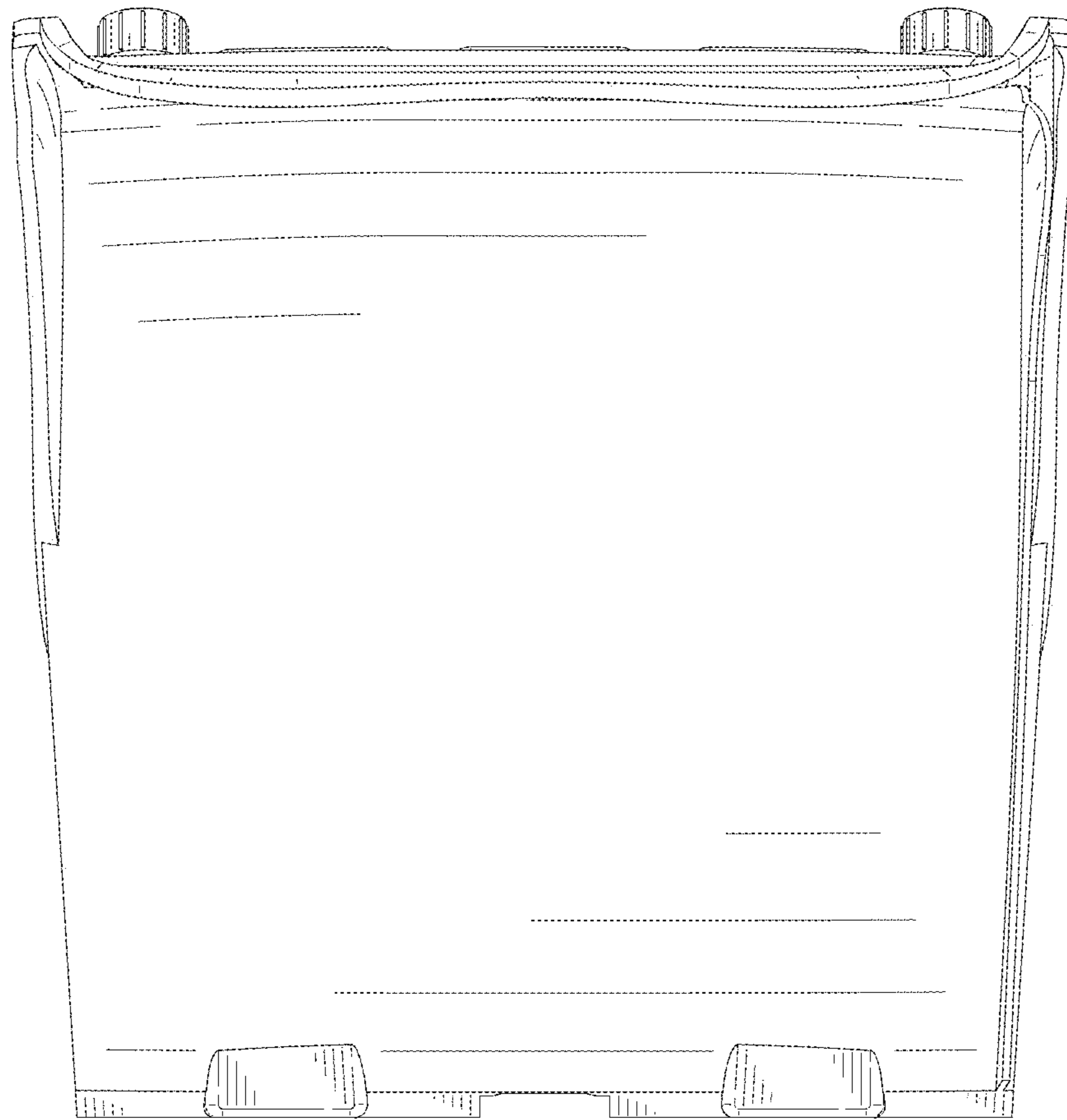


FIG. 8

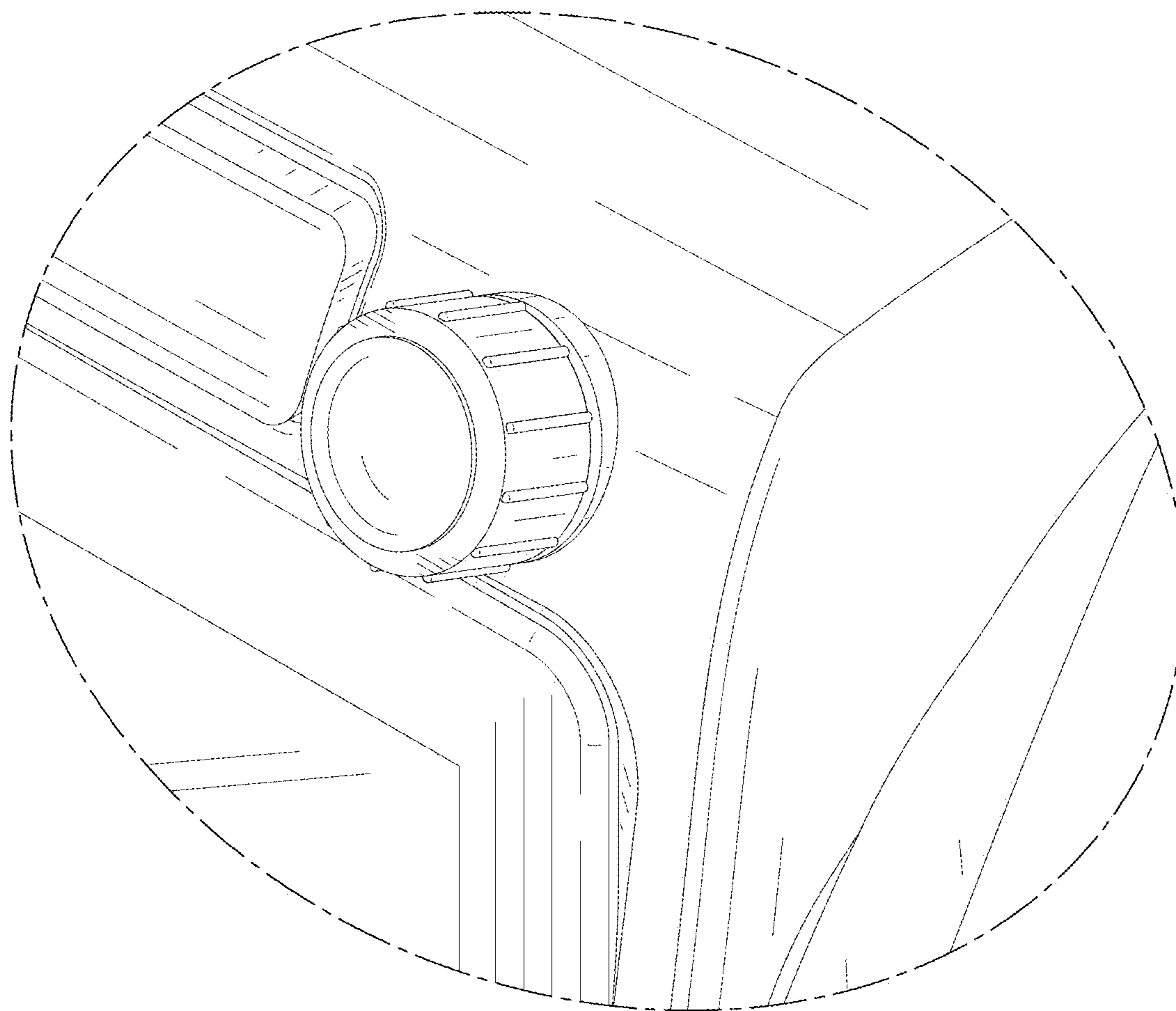


FIG. 9