



US00D988216S

(12) **United States Design Patent** (10) **Patent No.:** **US D988,216 S**  
**Larson** (45) **Date of Patent:** **\*\* Jun. 6, 2023**

(54) **SPOILER FOR MOTOR VEHICLE**

OTHER PUBLICATIONS

(71) Applicant: **Dr. Ing. h.c. F. Porsche Aktiengesellschaft**, Stuttgart (DE)

“M&S Matte Black ABS R4TEN Wicker Duckbill Spoiler Compatible with Kia Stinger 2018-2022” amazon.com, post Published Apr. 13, 2022. Retrieved Mar. 31, 2023. Available online at URL:https://www.amazon.com/Duckbill-Spoiler-Compatible-Stinger-2018-2022/dp/B09XVHPTBR/ref=sr\_1\_20?crid=1FO5WBLBRN0ZT&key(Year: 2022).\*

(72) Inventor: **Grant Larson**, Stuttgart (DE)

“Stinger Spoiler Real Carbon Fiber Rear Trunk Spoiler for Kia Stinger 2018-2023 Rear Spoiler Wing Lip Factory” amazon.com, post Published Feb. 5, 2023. Retrieved Mar. 31, 2023. Available online at URL:https://www.amazon.com/Stinger-Spoiler-Carbon-2018-2023-Factory/dp/B0BTYT1V3J/ref=sr\_1\_31?crid=1F(Year: 2023).\*

(73) Assignee: **Dr. Ing. h.c. F. Porsche Aktiengesellschaft**

(\*\*) Term: **15 Years**

(21) Appl. No.: **29/813,895**

\* cited by examiner

(22) Filed: **Nov. 2, 2021**

(30) **Foreign Application Priority Data**

May 11, 2021 (EM) ..... 8536890-0006

*Primary Examiner* — Christian P. McLean

(51) **LOC (14) Cl.** ..... **12-16**

*Assistant Examiner* — Jessica Lynn Devilbiss

(52) **U.S. Cl.**

(74) *Attorney, Agent, or Firm* — RatnerPrestia

USPC ..... **D12/181**; D12/184; D12/191

(58) **Field of Classification Search**

USPC ..... D12/181, 184, 191, 400, 88, 92, 96, 99

CPC ..... B62D 35/00; B62D 35/007

See application file for complete search history.

(57) **CLAIM**

The ornamental design for a spoiler for motor vehicle, as shown and described.

(56) **References Cited**

U.S. PATENT DOCUMENTS

**DESCRIPTION**

D614,098 S \* 4/2010 Larson ..... D12/181

FIG. 1 is a perspective view of a spoiler for motor vehicle showing my new design;

D667,763 S \* 9/2012 Varga ..... D12/181

FIG. 2 is a front view thereof;

D891,333 S \* 7/2020 Baum ..... D12/181

FIG. 3 is a rear view thereof;

D926,092 S \* 7/2021 Lenglin ..... D12/181

FIG. 4 is a left view thereof;

D932,399 S \* 10/2021 Scheinhütte ..... D12/181

FIG. 5 is a right view thereof;

2007/0206387 A1\* 9/2007 Conrad ..... B60Q 1/52  
362/545

FIG. 6 is a top view thereof; and,

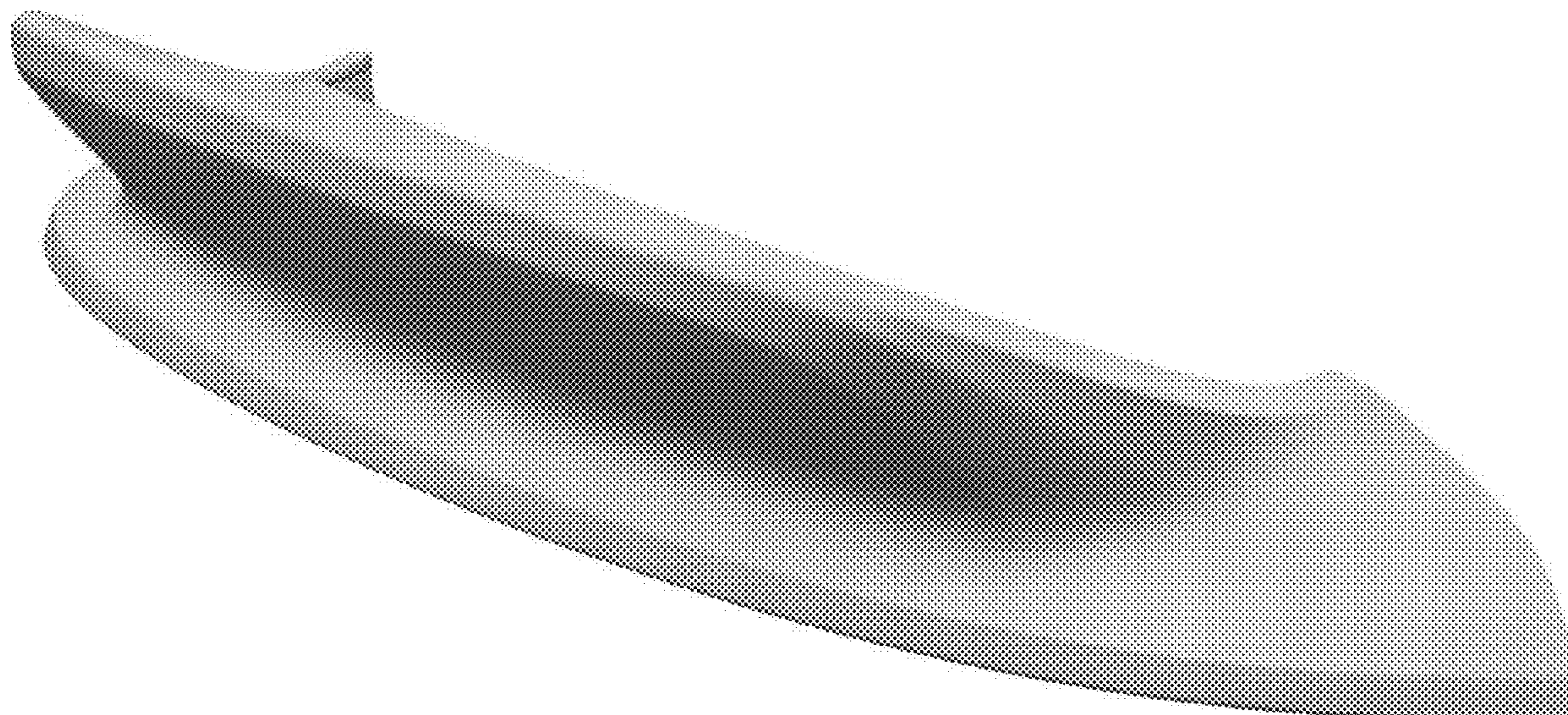
FIG. 7 is a bottom view thereof.

FOREIGN PATENT DOCUMENTS

CN 115009384 A \* 9/2022 ..... B62D 35/007

CN 115214805 A \* 10/2022

**1 Claim, 7 Drawing Sheets**



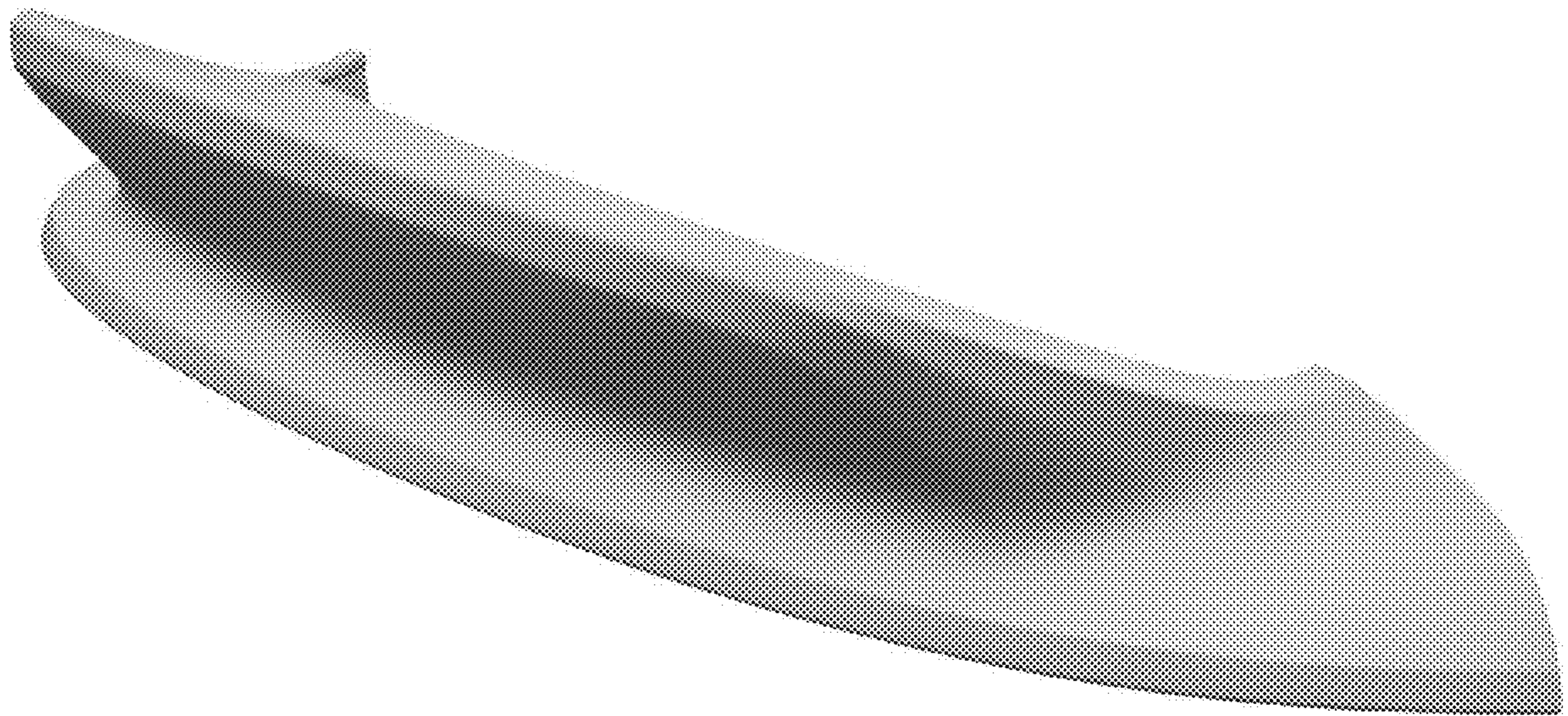


FIG. 1

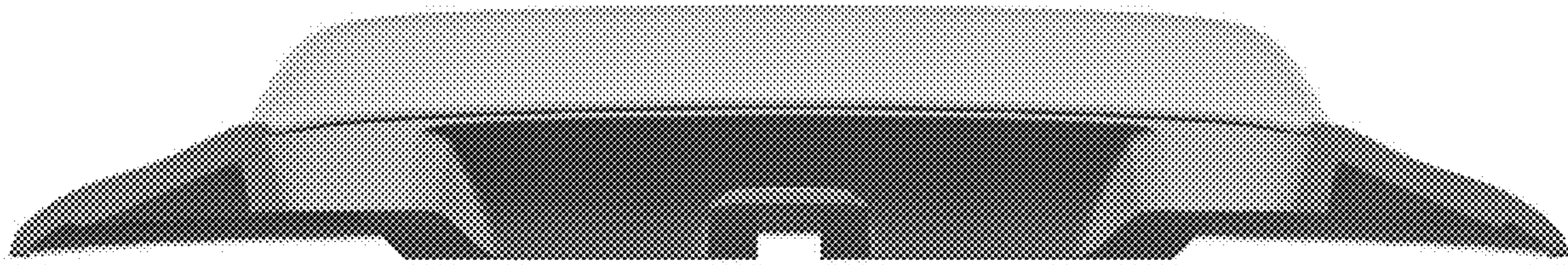


FIG. 2

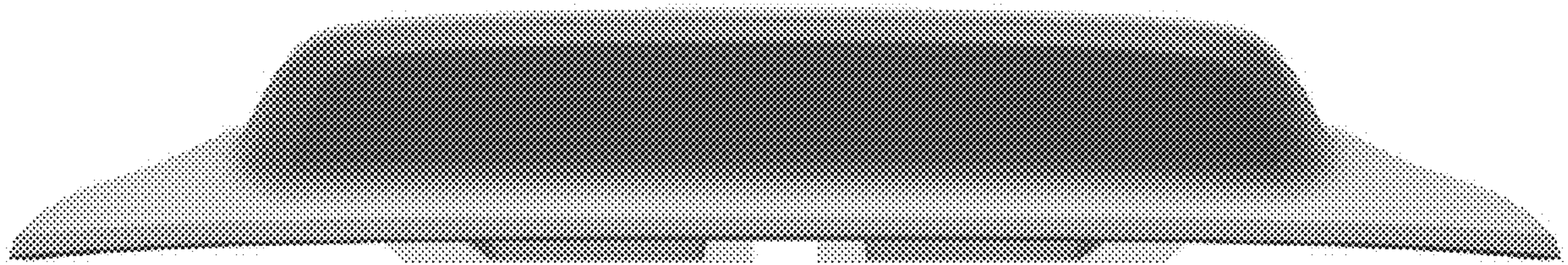


FIG. 3

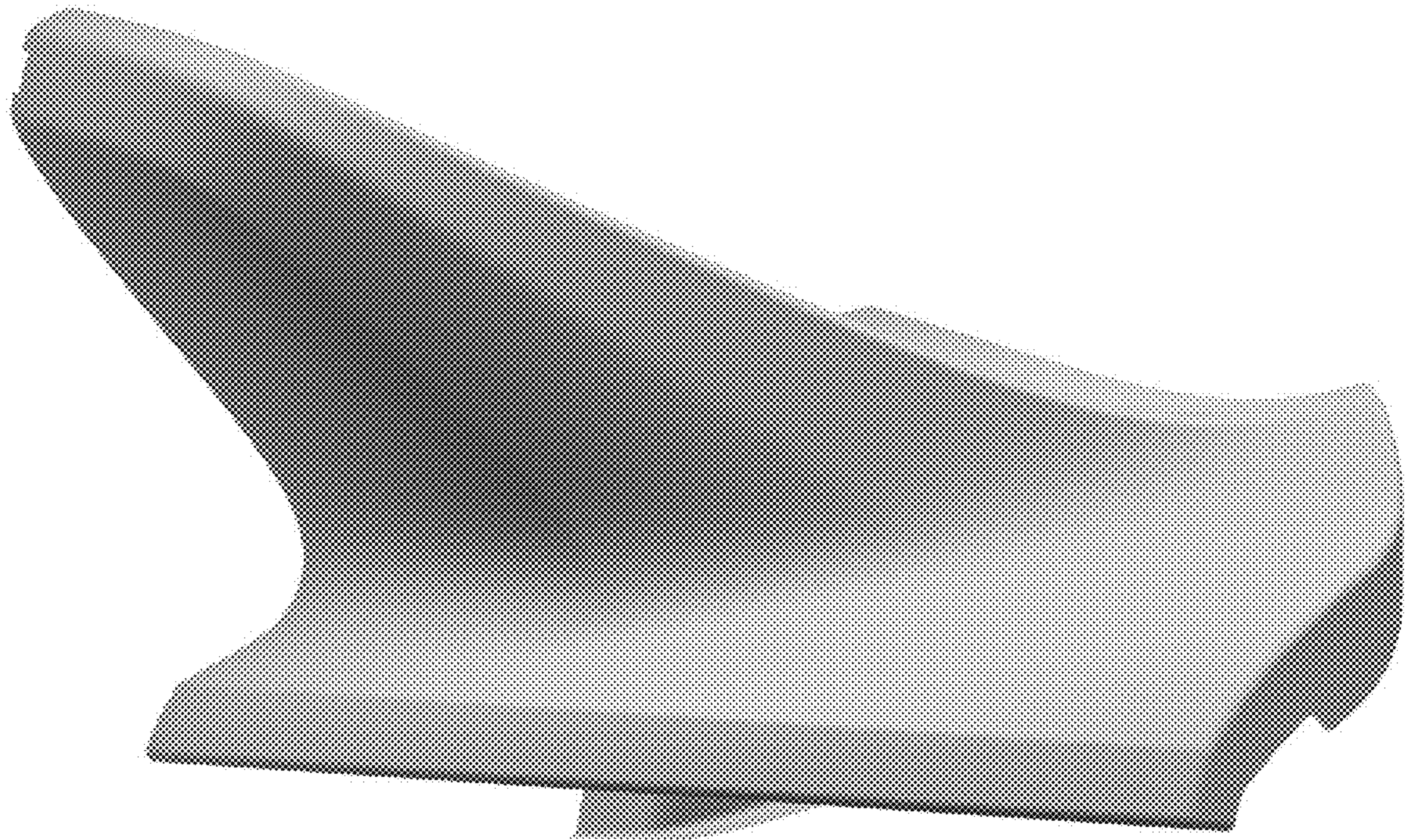


FIG. 4

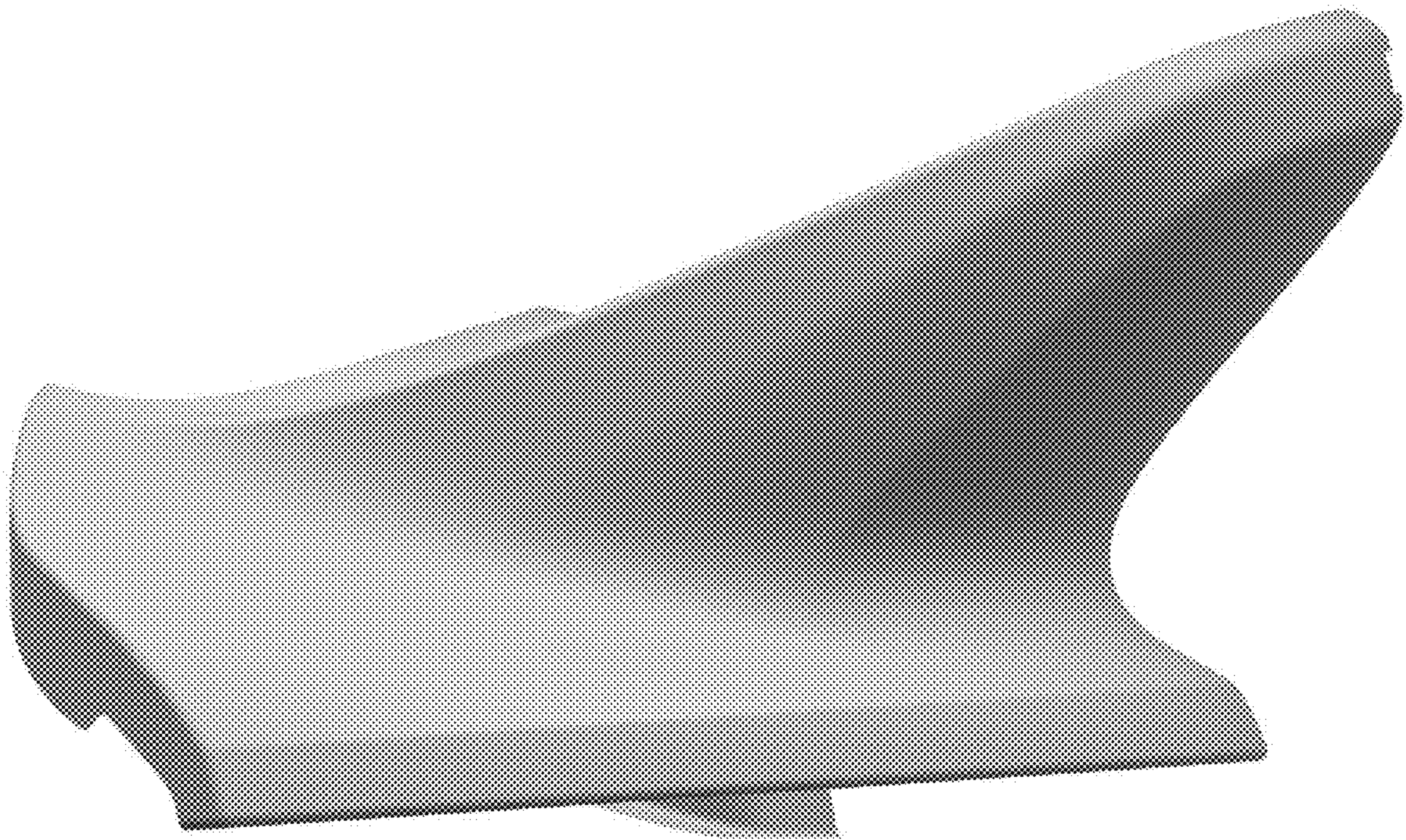


FIG. 5

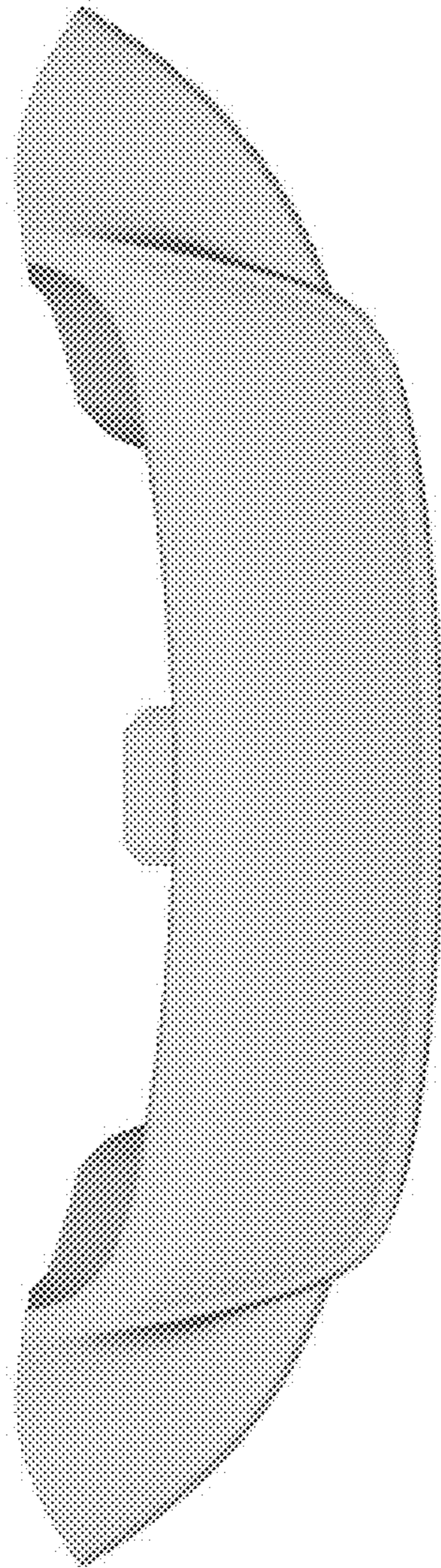


FIG. 6

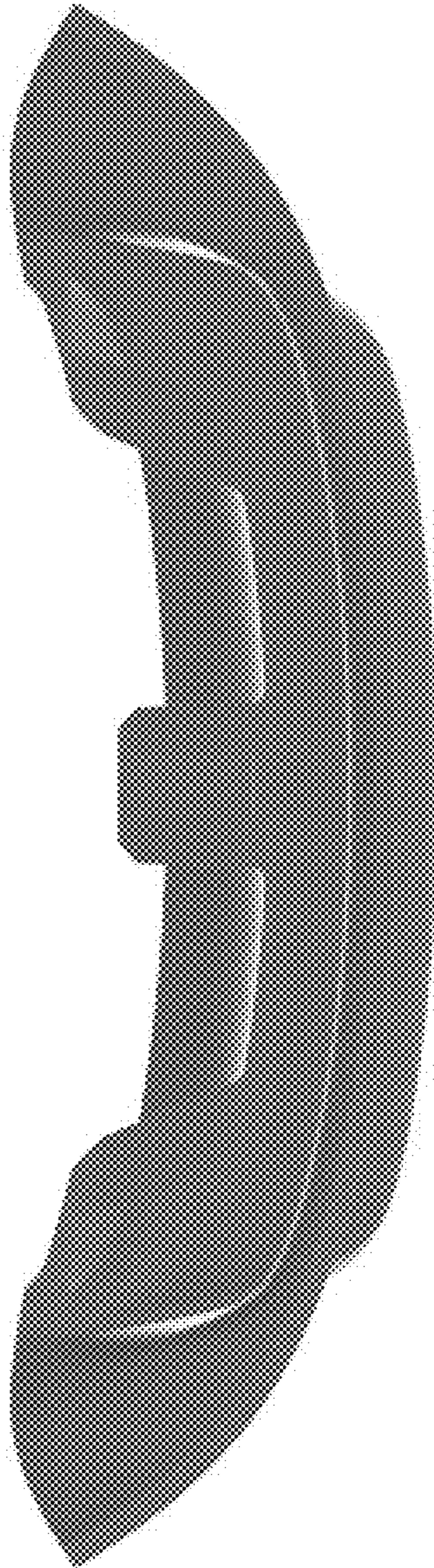


FIG. 7