



US00D988215S

(12) **United States Design Patent**
Bowden

(10) **Patent No.:** **US D988,215 S**
(45) **Date of Patent:** **** Jun. 6, 2023**

(54) **BRAKE SHOE WITH CONDITIONING INSERTS**

URL: <https://www.globalsources.com/Brake-shoes/Railway-wagon-composite-brake-shoes-1188679109p.htm>.*

(Continued)

(71) Applicant: **Westinghouse Air Brake Technologies Corporation**, Pittsburgh, PA (US)

Primary Examiner — Darlington Ly

Assistant Examiner — D. Ryan Tisdale

(72) Inventor: **A. Gary Bowden**, Laurinburg, NC (US)

(74) *Attorney, Agent, or Firm* — The Small Patent Law Group LLC; Christopher R. Carroll

(73) Assignee: **WESTINGHOUSE AIR BRAKE TECHNOLOGIES CORPORATION**, Pittsburgh, PA (US)

(57) **CLAIM**

(**) Term: **15 Years**

The ornamental design for a brake shoe with conditioning inserts, as shown and described.

(21) Appl. No.: **29/775,012**

DESCRIPTION

(22) Filed: **Mar. 19, 2021**

(51) **LOC (14) Cl.** **12-16**

(52) **U.S. Cl.**
USPC **D12/180**

(58) **Field of Classification Search**
USPC D12/106, 114, 122, 179–180, 207, 400

(Continued)

(56) **References Cited**

U.S. PATENT DOCUMENTS

1,574,555 A * 2/1926 Connelly F16D 65/062
188/238
4,276,968 A * 7/1981 Cripe F16D 65/56
188/74

(Continued)

FOREIGN PATENT DOCUMENTS

CN 202040250 U 11/2011
CN 304918834 * 11/2018

(Continued)

OTHER PUBLICATIONS

Customized Composite brake shoes, composite stamping steel railway wagon parts train brake shoes, available in GlobalSources.com, announced Year 2022 [online], [site visited Dec. 28, 2022], Internet

FIG. 1 is a perspective view of a first embodiment of a brake shoe with conditioning inserts;
FIG. 2 is an elevational view of a first side of the brake shoe with conditioning inserts shown in FIG. 1;
FIG. 3 is an elevational view of a second side of the brake shoe with conditioning inserts shown in FIG. 1;
FIG. 4 is an elevational view of a first end of the brake shoe with conditioning inserts shown in FIG. 1;
FIG. 5 is an elevational view of a second end of the brake shoe with conditioning inserts shown in FIG. 1;
FIG. 6 is a plan view of a top side of the brake shoe with conditioning inserts shown in FIG. 1;
FIG. 7 is a plan view of a bottom side of the brake shoe with conditioning inserts shown in FIG. 1;
FIG. 8 is a perspective view of a second embodiment of a brake shoe with conditioning inserts of a brake system;
FIG. 9 is an elevational view of a first side of the brake shoe with conditioning inserts shown in FIG. 8;
FIG. 10 is an elevational view of a second side of the brake shoe with conditioning inserts shown in FIG. 8;
FIG. 11 is an elevational view of a first end of the brake shoe with conditioning inserts shown in FIG. 8;
FIG. 12 is an elevational view of a second end of the brake shoe with conditioning inserts shown in FIG. 8;
FIG. 13 is a plan view of a top side of the brake shoe with conditioning inserts shown in FIG. 8;

(Continued)

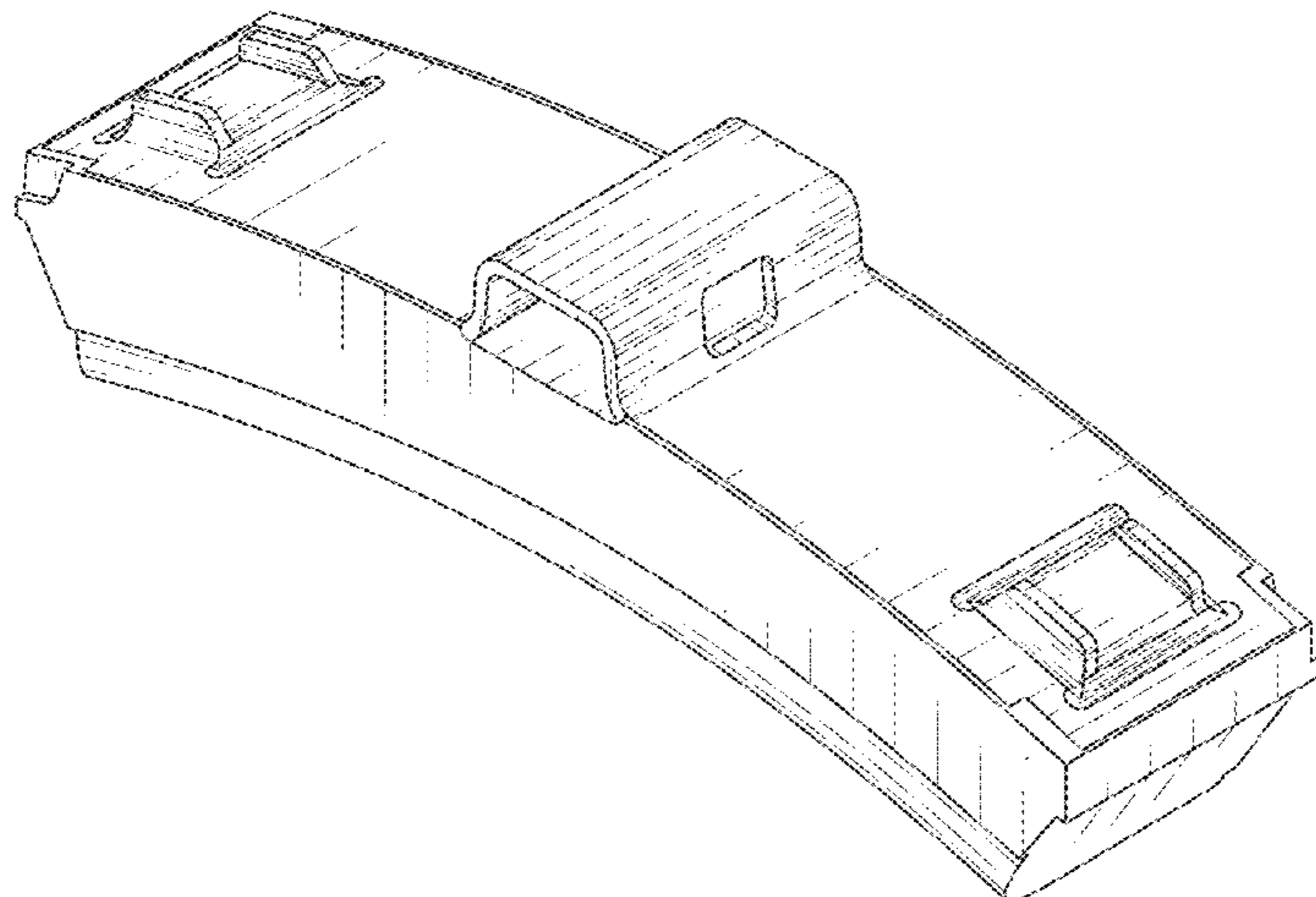


FIG. 14 is a plan view of a bottom side of the brake shoe with conditioning inserts shown in FIG. 8;
 FIG. 15 is a perspective view of a third embodiment of a brake shoe with conditioning inserts;
 FIG. 16 is an elevational view of a first side of the brake shoe with conditioning inserts shown in FIG. 15;
 FIG. 17 is an elevational view of a second side of the brake shoe with conditioning inserts shown in FIG. 15;
 FIG. 18 is an elevational view of a first end of the brake shoe with conditioning inserts shown in FIG. 15;
 FIG. 19 is an elevational view of a second end of the brake shoe with conditioning inserts shown in FIG. 15;
 FIG. 20 is a plan view of a top side of the brake shoe with conditioning inserts shown in FIG. 15;
 FIG. 21 is a plan view of a bottom side of the brake shoe with conditioning inserts shown in FIG. 15;
 FIG. 22 is a perspective view of a sixth embodiment of a brake shoe with conditioning inserts;
 FIG. 23 is an elevational view of the first side of the brake shoe with conditioning inserts shown in FIG. 22;
 FIG. 24 is an elevational view of the second side of the brake shoe with conditioning inserts shown in FIG. 22;
 FIG. 25 is an elevational view of the first end of the brake shoe with conditioning inserts shown in FIG. 22;
 FIG. 26 is an elevational view of the second end of the brake shoe with conditioning inserts shown in FIG. 22;
 FIG. 27 is a plan view of a top side of the brake shoe with conditioning inserts shown in FIG. 22; and,
 FIG. 28 is a plan view of the bottom side of the brake shoe with conditioning inserts shown in FIG. 22.

1 Claim, 16 Drawing Sheets

(58) **Field of Classification Search**

CPC . B60T 7/00; B60T 8/265; B60T 11/00; B60T 11/103; B60T 13/00; B60T 13/66; B60T 17/223; B60T 2201/00; B60T 2201/03; B60T 2260/00; B60T 2270/00; B60T 2270/82; B60T 2270/83; B60T 2270/84; B60T 1/06; B62L 1/00; B62L 3/02; B62D 63/04; B62D 65/02; B62D 65/12; F16D 55/00; F16D 55/226; F16D 65/00

See application file for complete search history.

(56) **References Cited**

U.S. PATENT DOCUMENTS

D597,907 S * 8/2009 Liu D12/180
 D604,215 S * 11/2009 Liu D12/180
 D614,551 S * 4/2010 Liu D12/180
 D669,828 S * 10/2012 Liu D12/180
 D712,809 S * 9/2014 Kloos D12/180

D784,874 S * 4/2017 Buxton D12/180
 2003/0205438 A1* 11/2003 Hartsock B60T 13/74
 188/342
 2003/0234142 A1 12/2003 Shute et al.
 2003/0234143 A1 12/2003 Shute et al.
 2007/0227839 A1* 10/2007 Barrett F16D 65/0977
 188/73.31

FOREIGN PATENT DOCUMENTS

CN 306921358 * 11/2021
 CN 307500038 * 8/2022
 EA 200900673 A1 2/2010
 EA 016162 B1 4/2011
 EA 029533 B1 7/2016
 JP 2012-189175 A 10/2012
 RU 157868 U1 12/2015
 RU 158605 U1 1/2016
 RU 2601768 C1 11/2016
 RU 173155 U1 8/2017
 RU 173547 U1 8/2017
 RU 174773 U1 11/2017
 RU 175071 U1 11/2017
 WO 2020/252125 A1 12/2020
 WO 2020252109 A1 12/2020
 WO 2020252120 A1 12/2020

OTHER PUBLICATIONS

Heavy braking and sparks with cast iron brake blocks, announced in YouTube on Dec. 21, 2017 [online], [site visited Dec. 28, 2022], Available from the internet URL: <https://www.youtube.com/watch?v=jm4LXmumR9s>.*

Locomotive maintenance—brake shoe change, announced in YouTube on Mar. 26, 2013 [online], [site visited Dec. 28, 2022], Available from the internet URL: <https://www.youtube.com/watch?v=KCfDwWcfQMw>.*

Search Report dated Dec. 13, 2021 for corresponding Eurasian Application No. 202191873 (2 pages).

English translation of the Search Report dated Dec. 13, 2021 for corresponding Eurasian Application No. 202191873 (2 pages).

Extended European Search Report dated Feb. 10, 2022 for corresponding European Application No. 21191739.8 (8 Pages).

Office Action dated May 12, 2022 for corresponding Eurasian Patent Application No. 202191873. English translation provided. (8 pages).

Federal-Mogul Corporation “Disk Brake Pads and Brake Block Design and Materials for Railways” Copyright 2020 Verdict Media Limited., <https://www.railway-technology.com/contractors/brakes/federalmogul/> (6 pages).

Gunay et al., “An investigation on braking systems used in railway vehicles”, Engineering Science and Technology, an International Journal 23 (2020) 421-431,(11 pages).

Hindustan Composites Limited, “Railway Brake Blocks” <https://www.hindcompo.com/products/railway-brake-blocks.htm> (2 pages).

Wabtec Corporation, “V626-14” “Day One” Treadguard® Locomotive Brakeshoe” (4 pages).

* cited by examiner

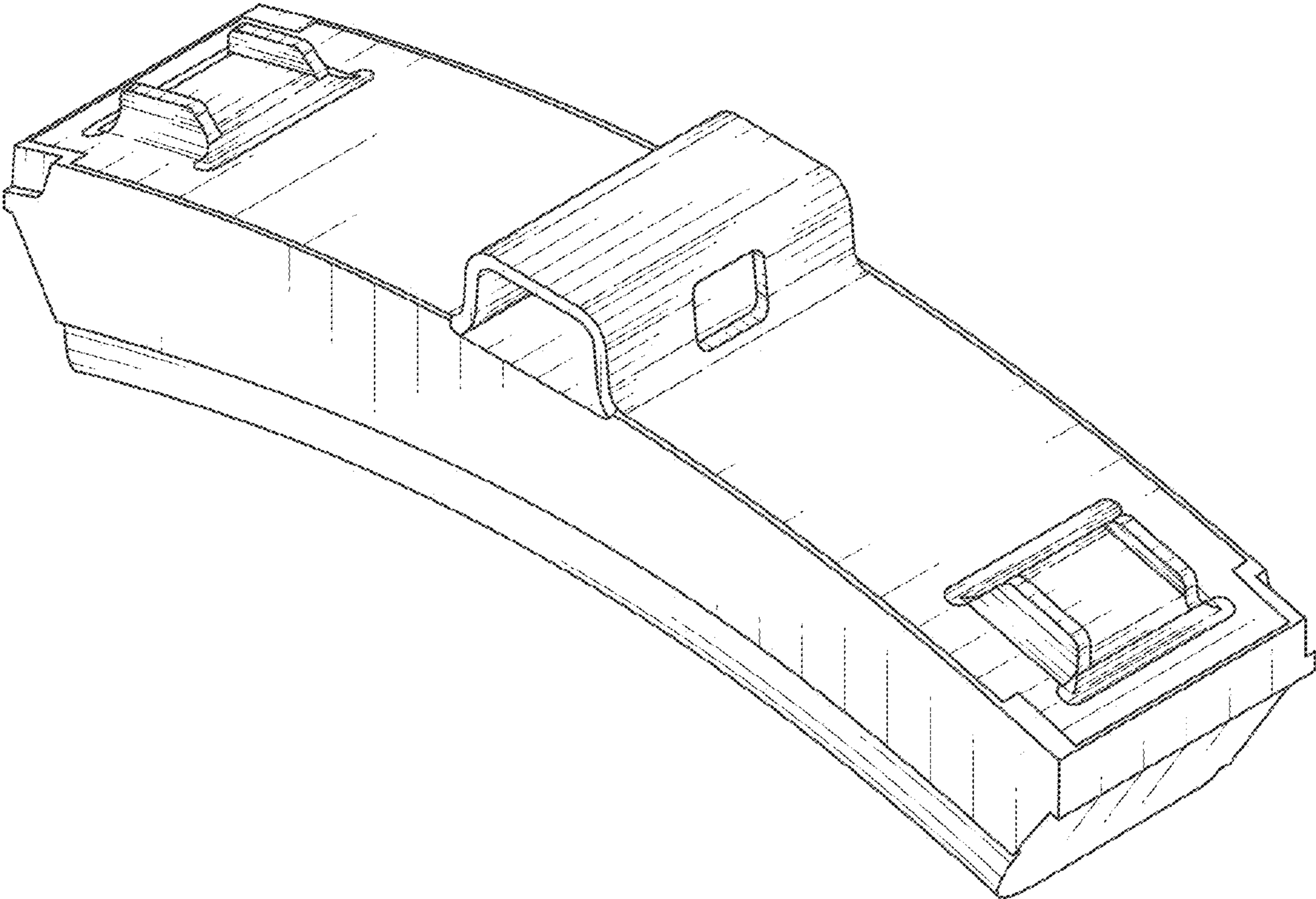


FIG. 1

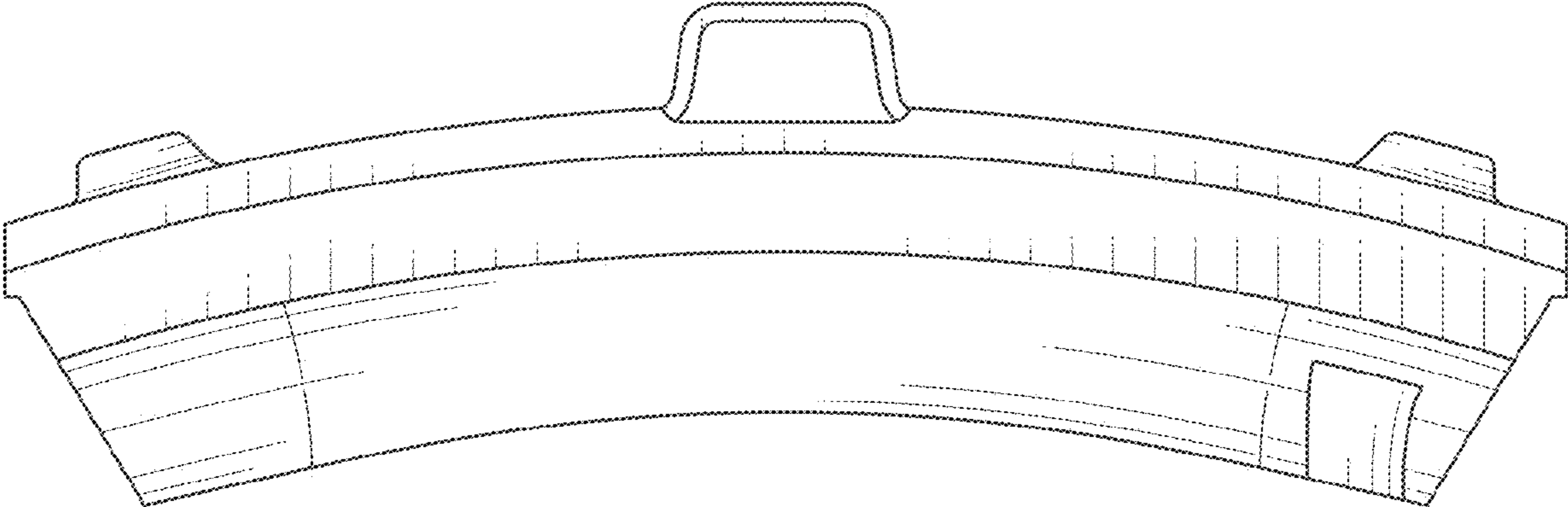


FIG. 2

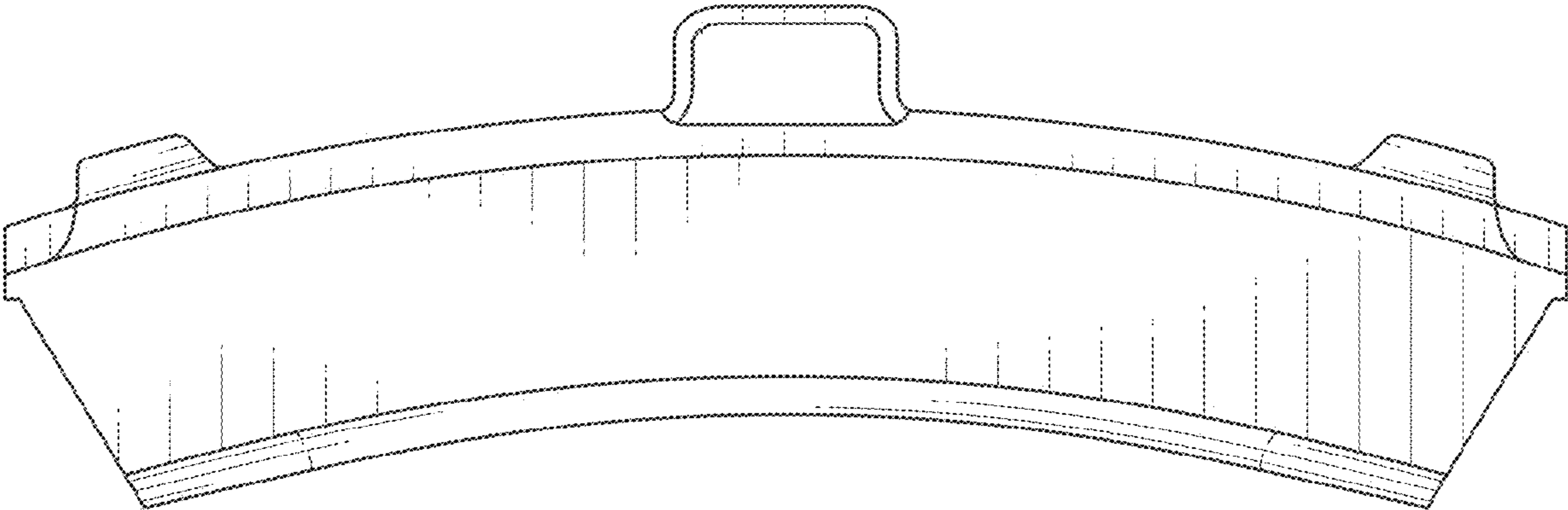


FIG. 3

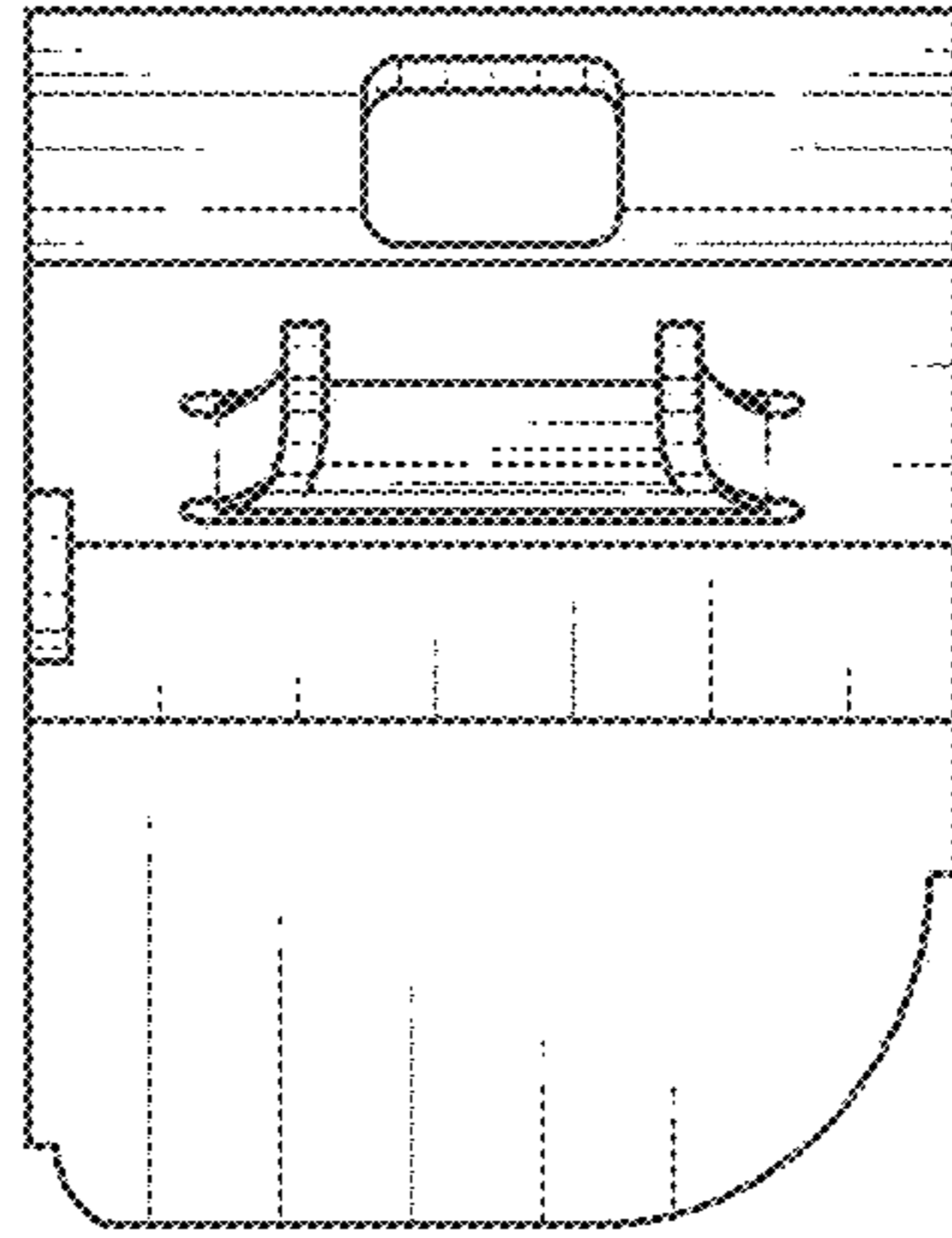


FIG. 4

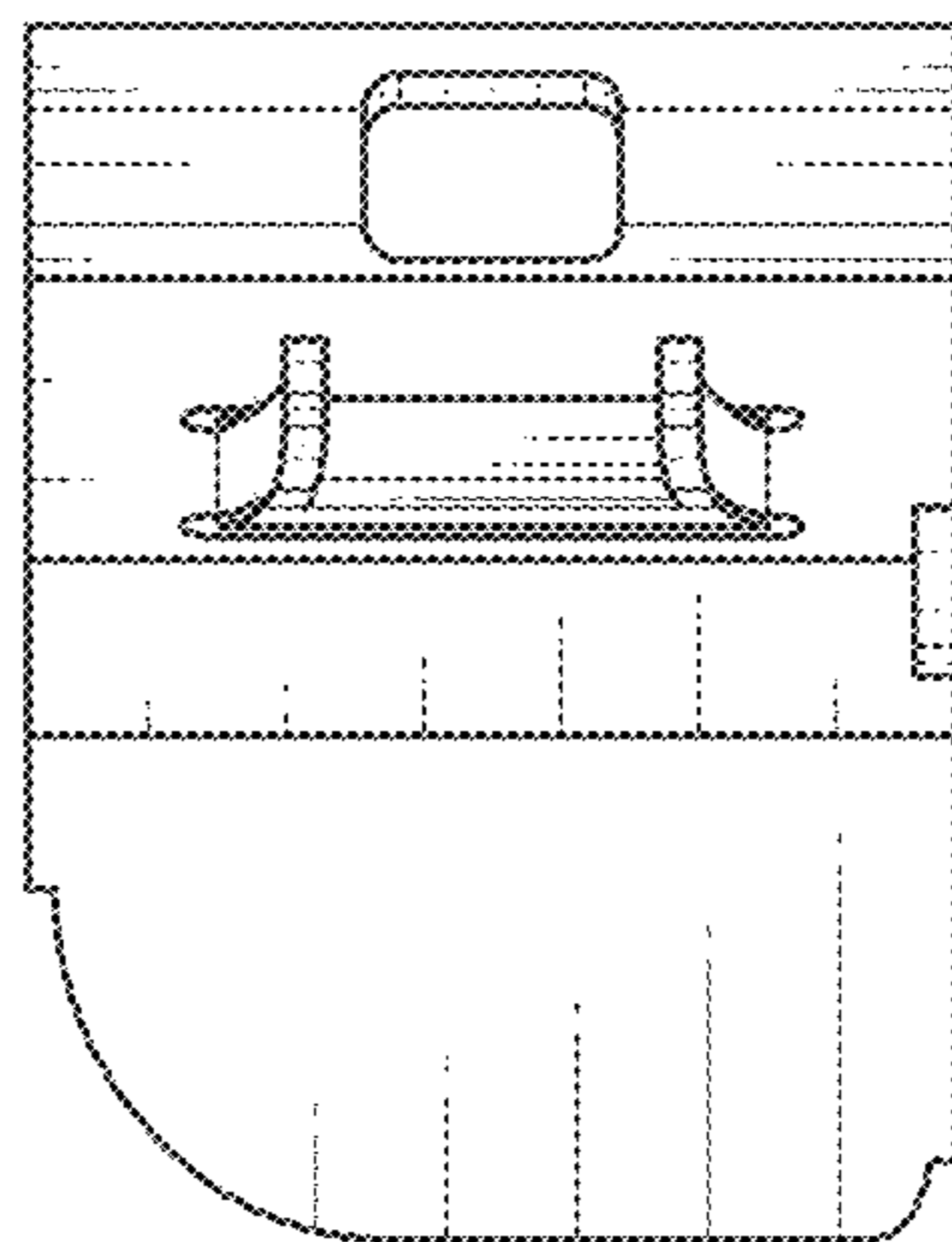


FIG. 5

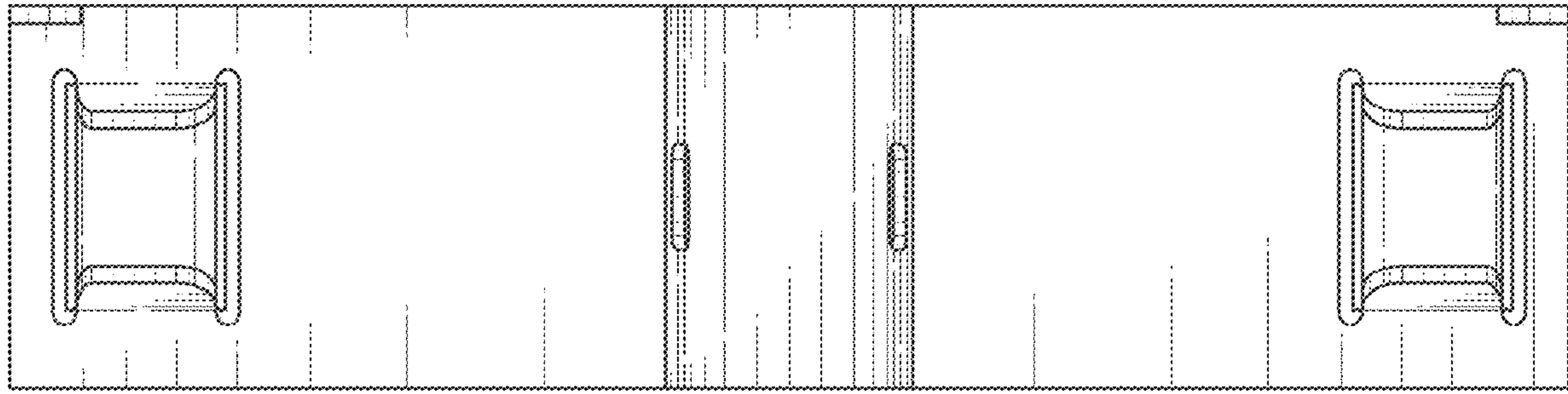


FIG. 6

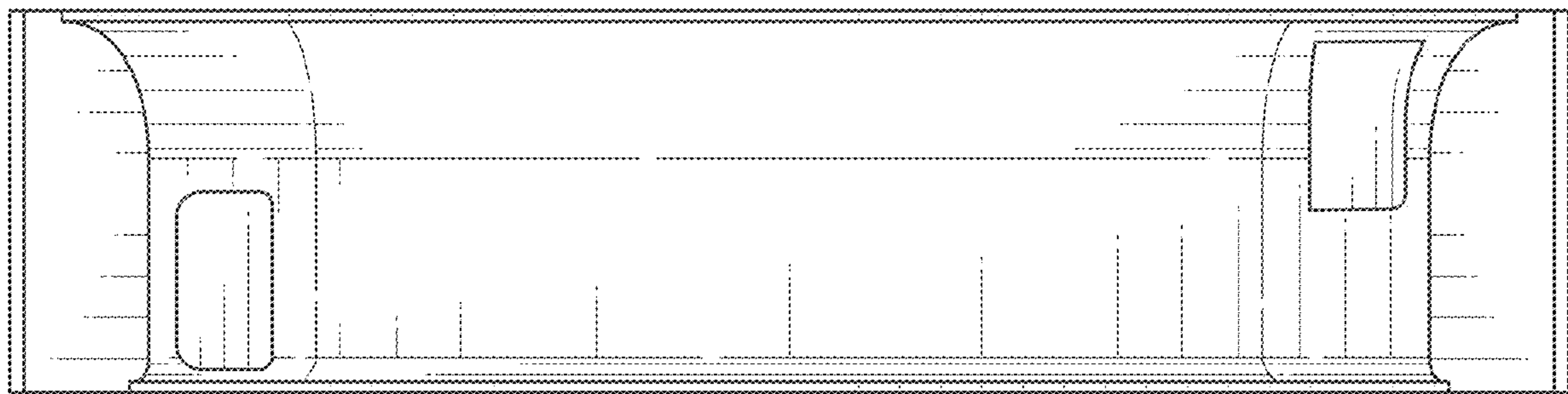


FIG. 7

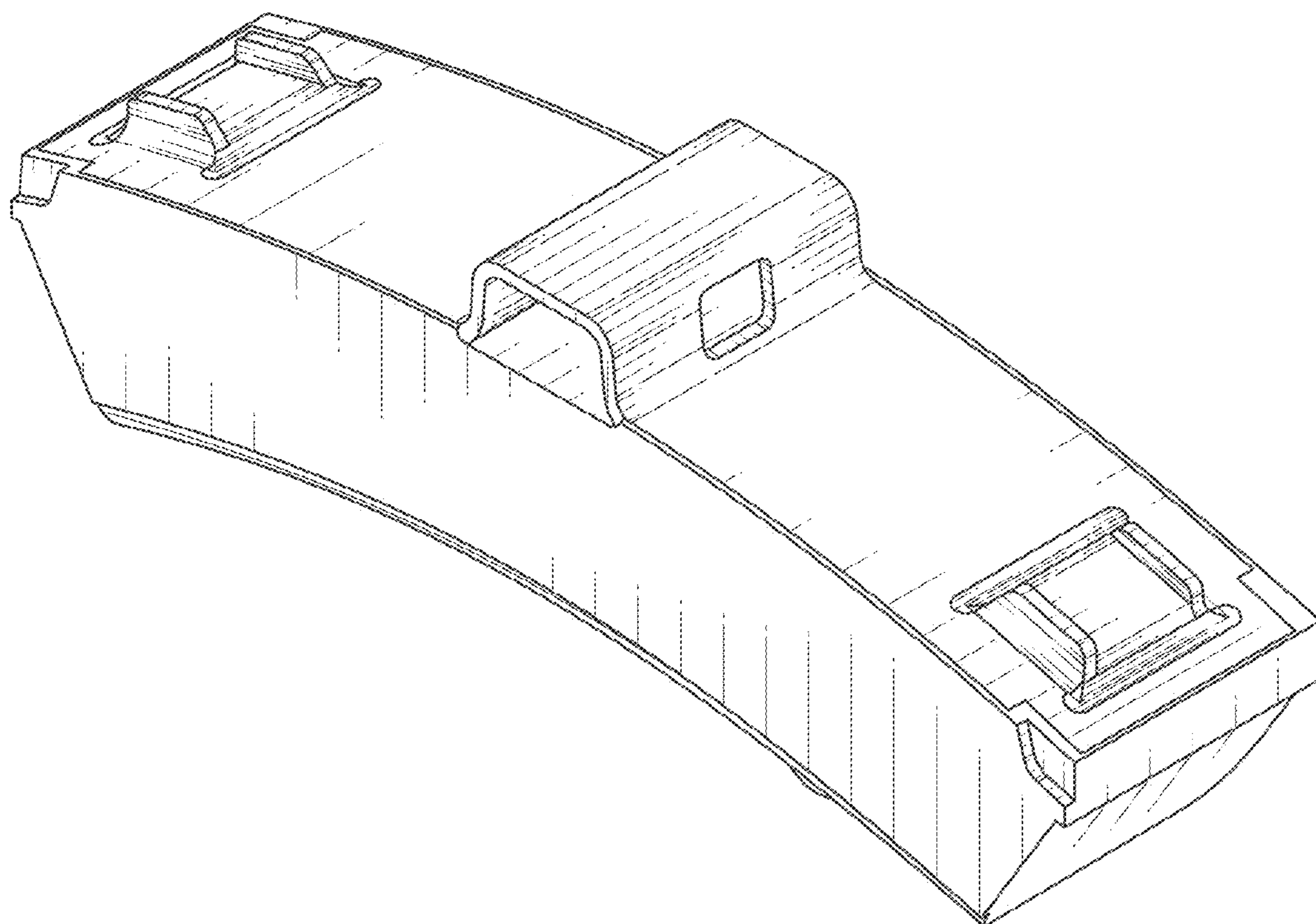


FIG. 8

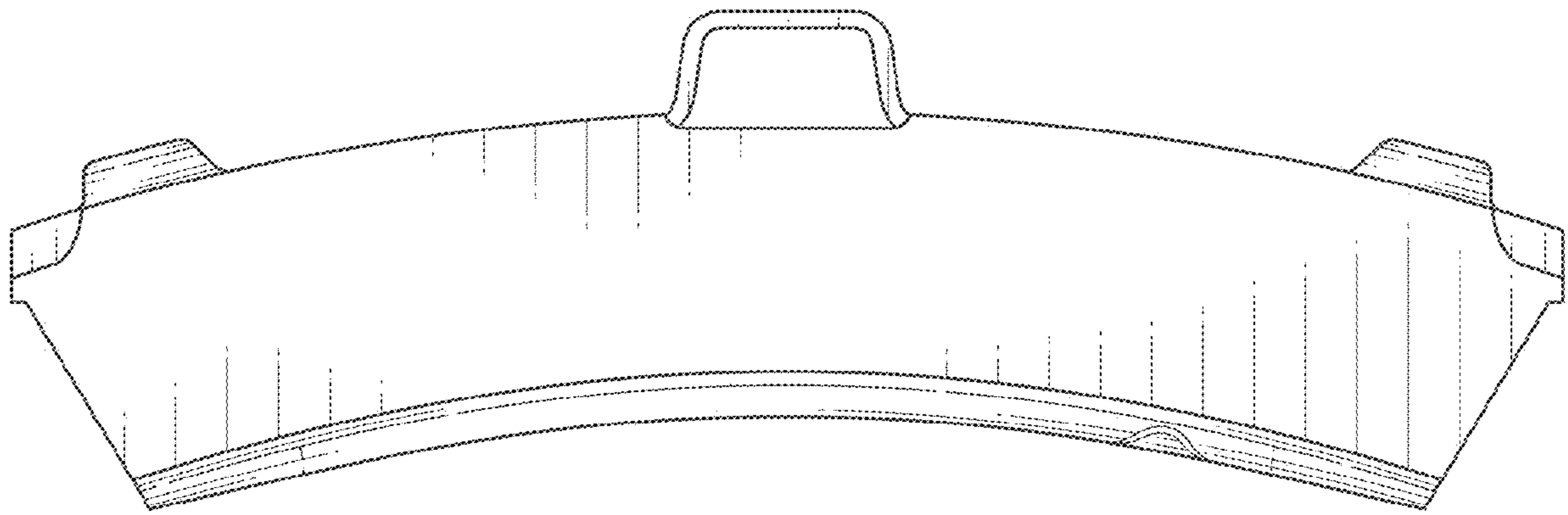


FIG. 9

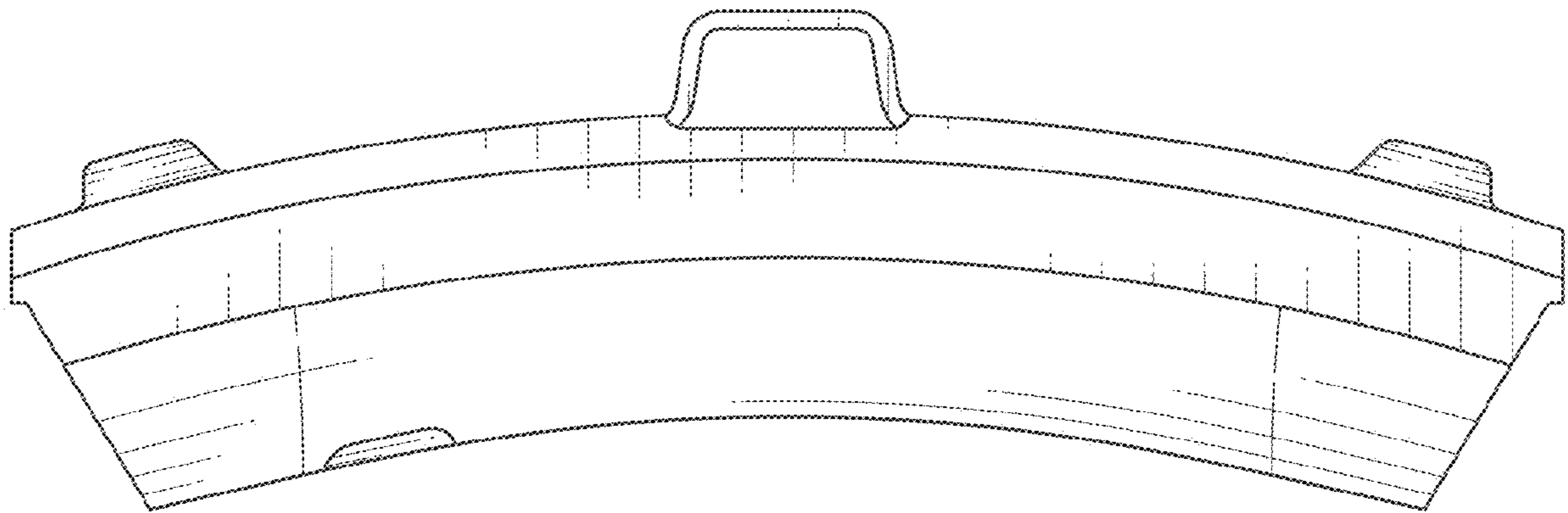


FIG. 10

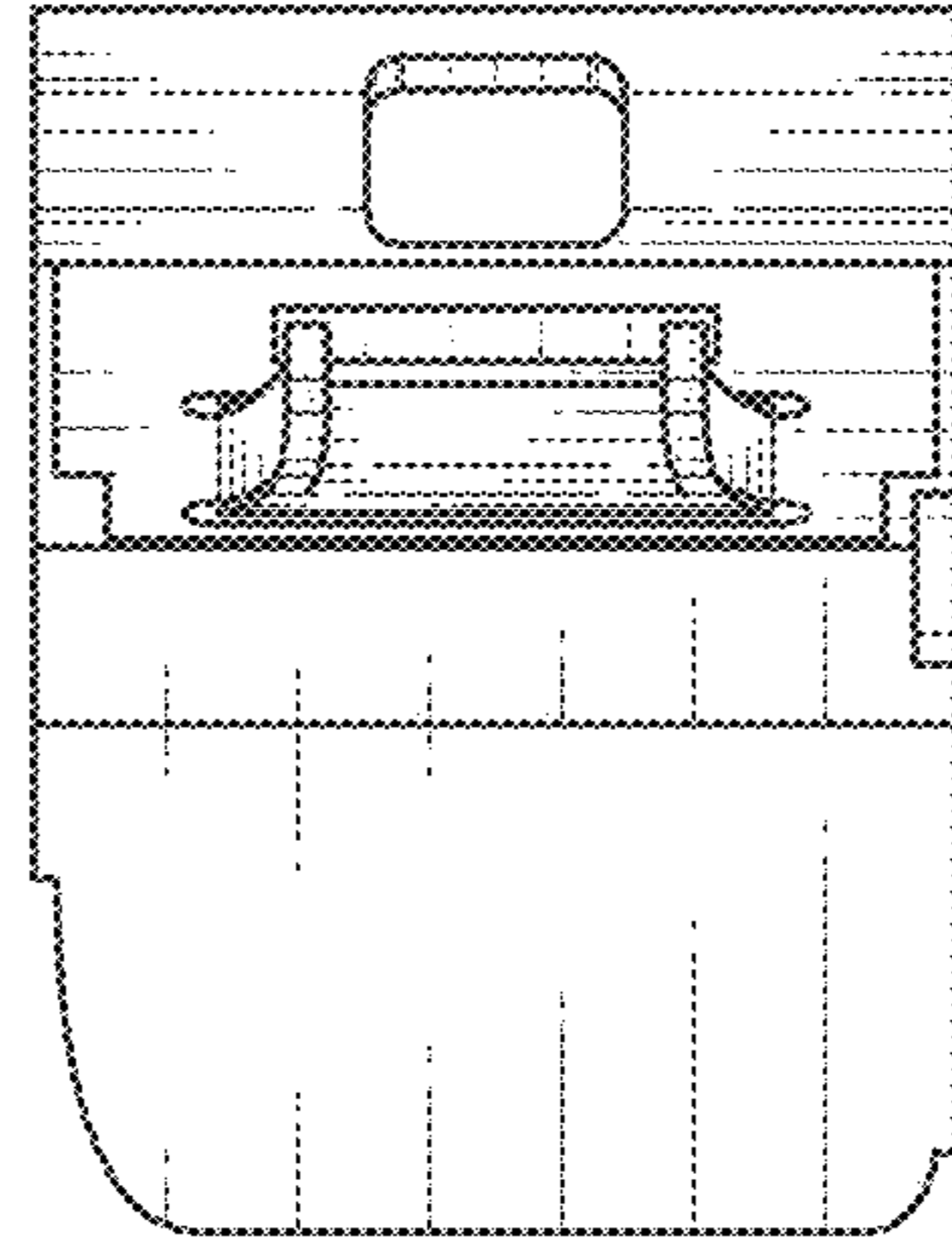


FIG. 11

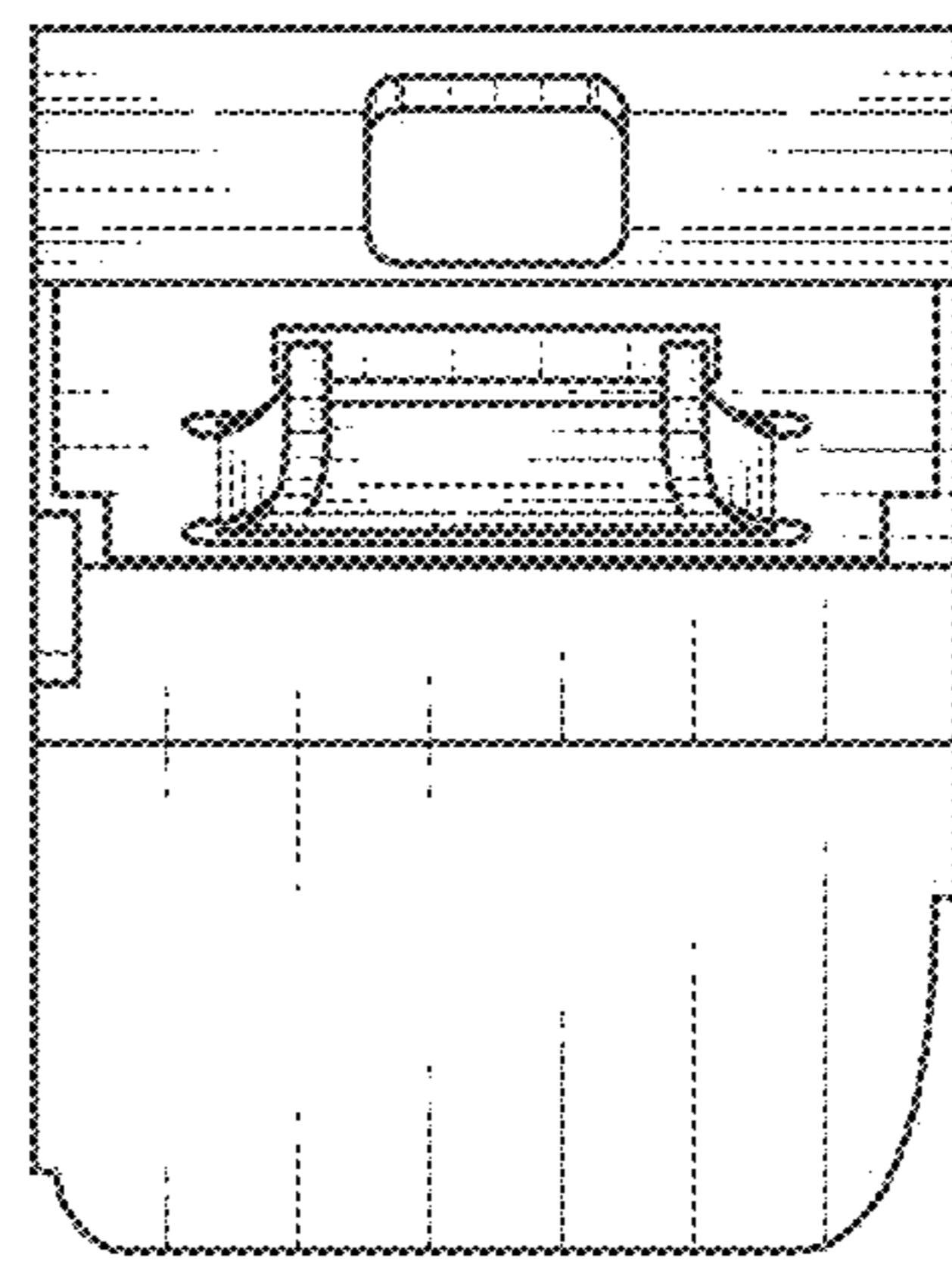


FIG. 12

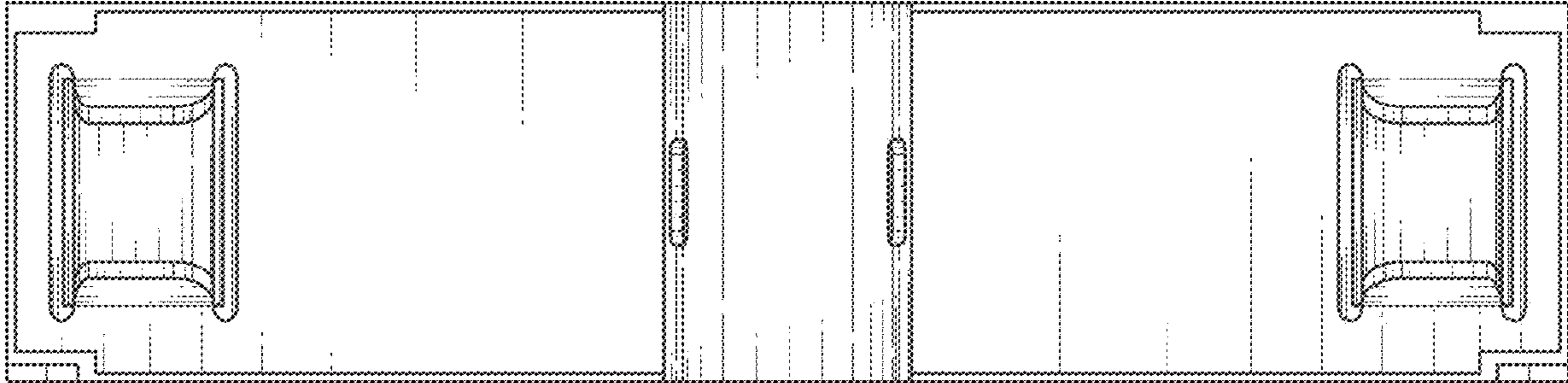


FIG. 13

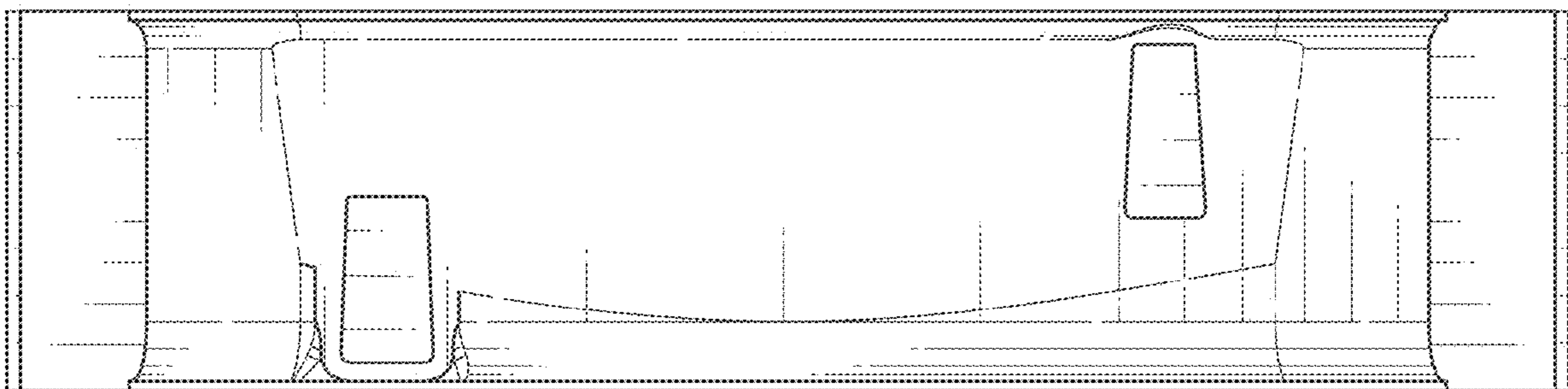


FIG. 14

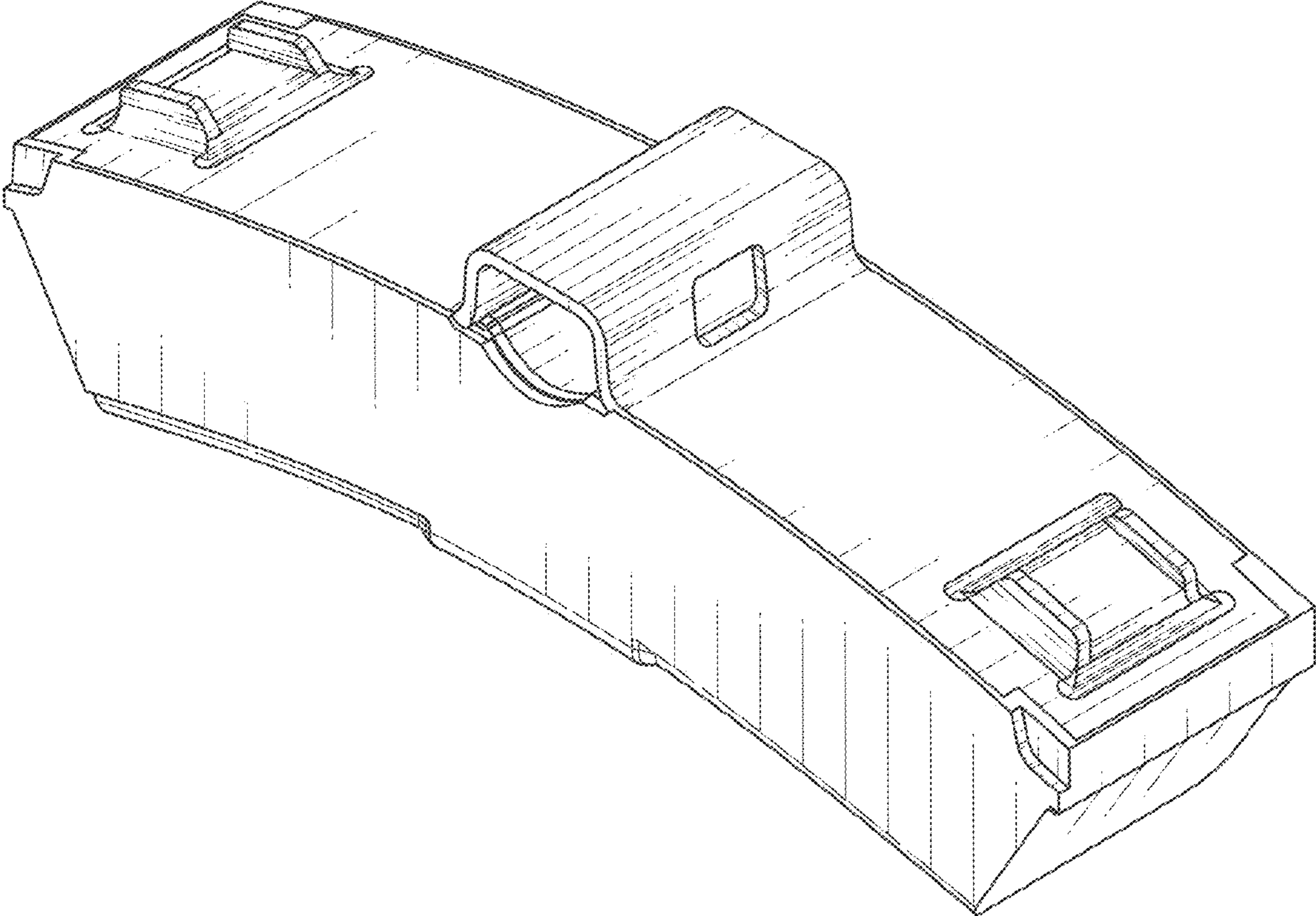


FIG. 15

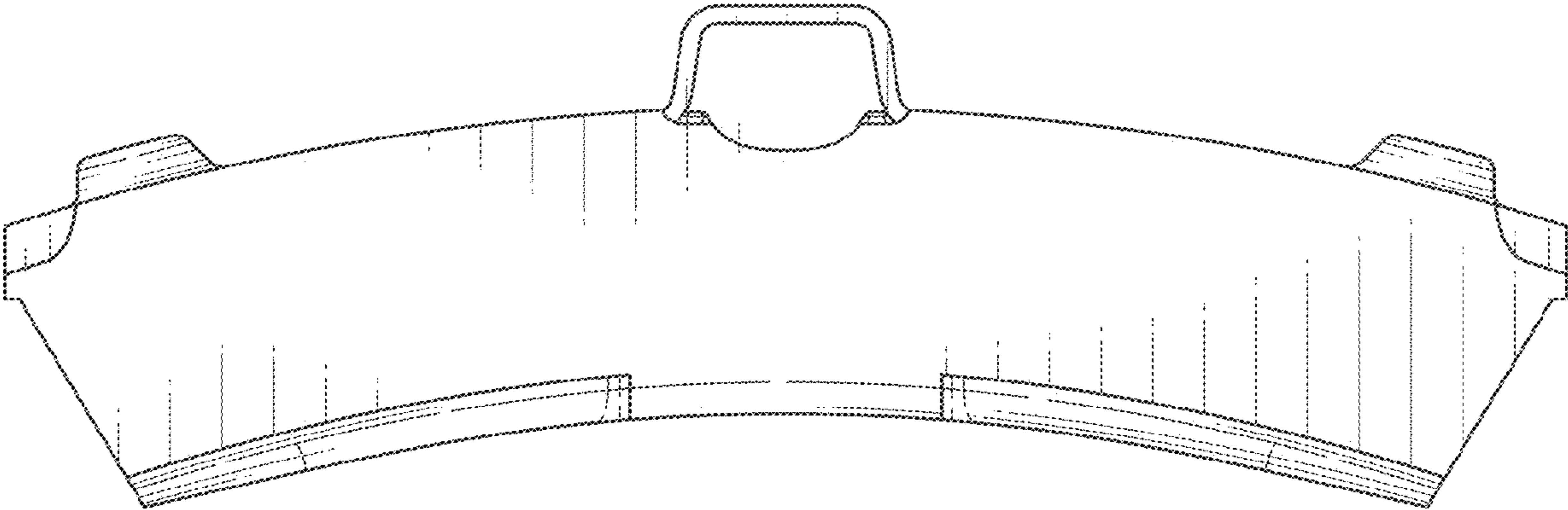


FIG. 16

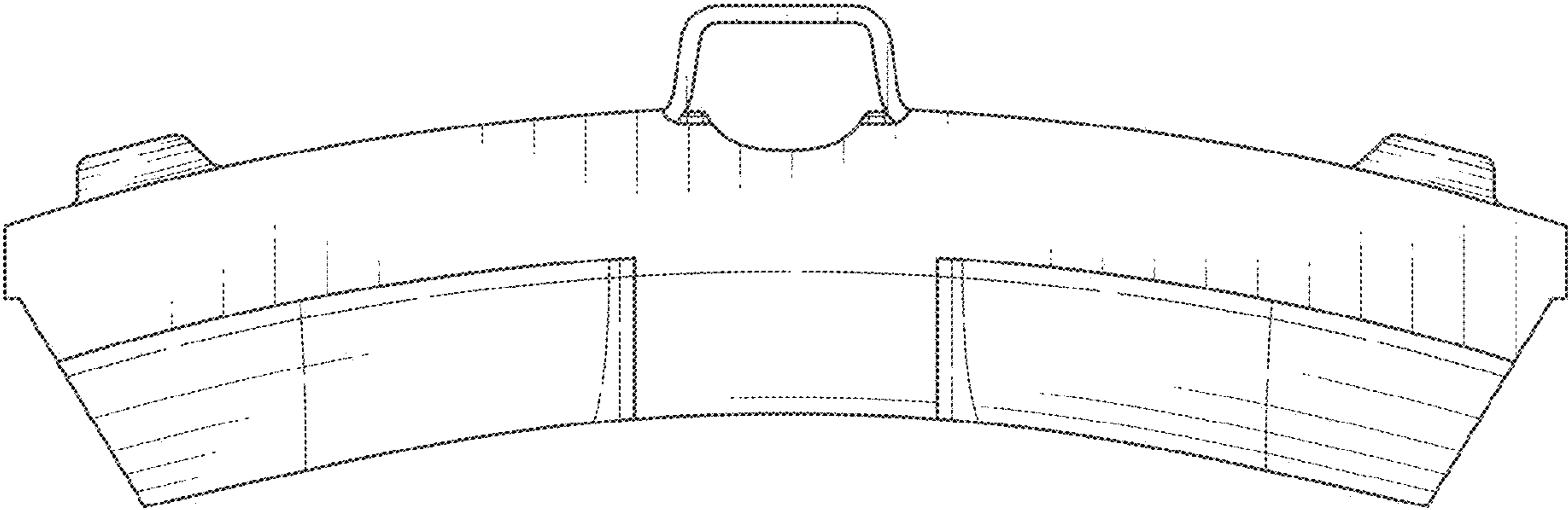


FIG. 17

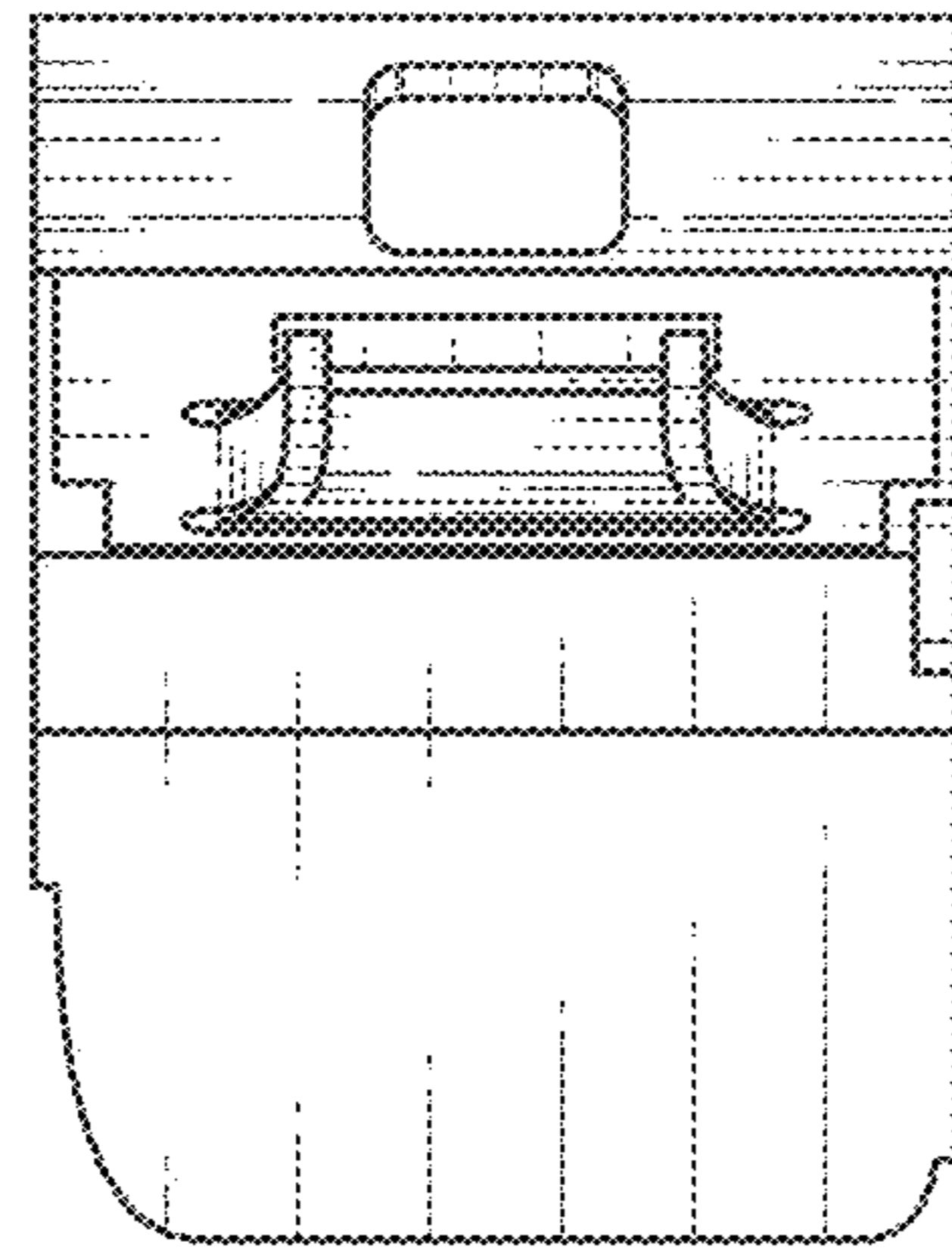


FIG. 18

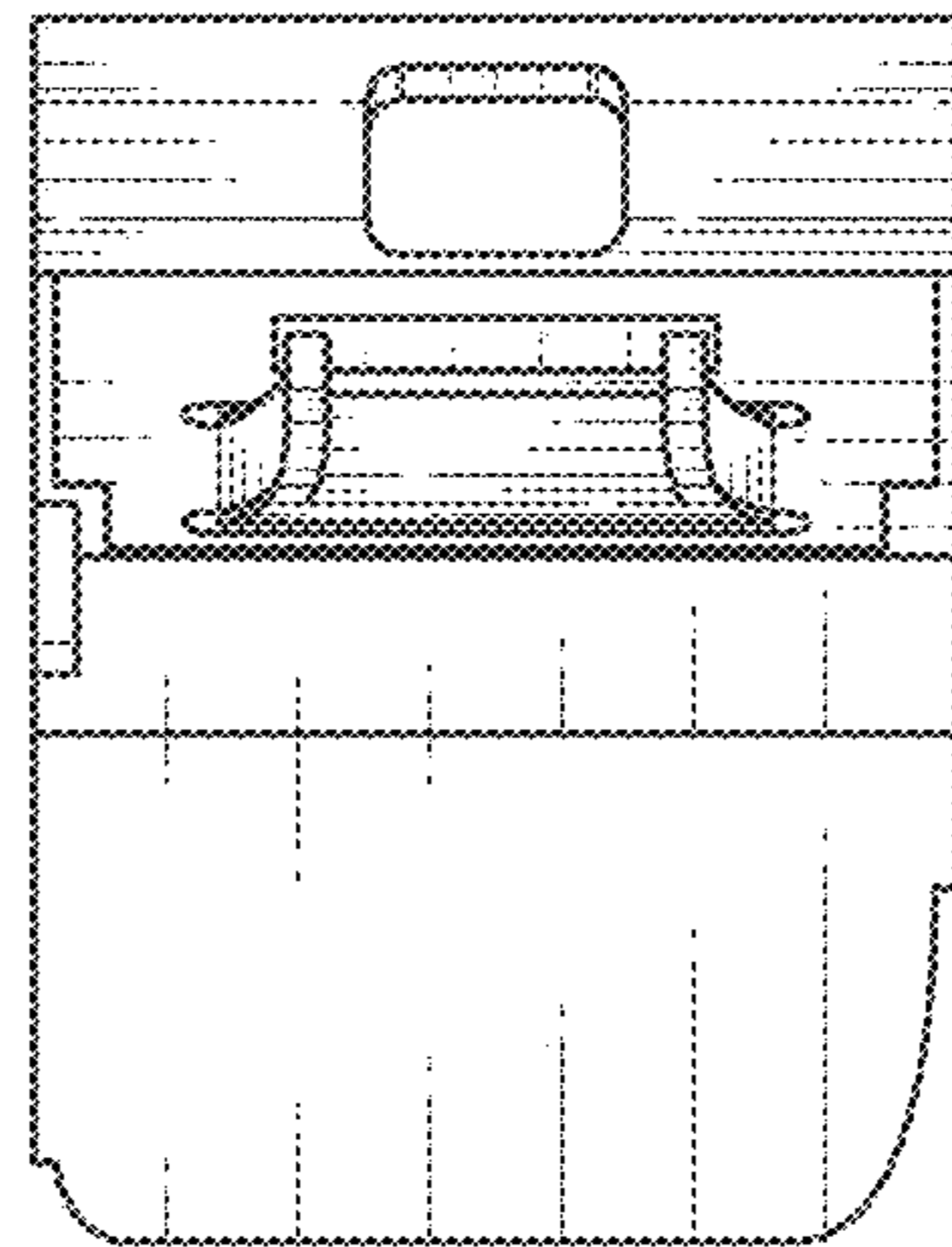


FIG. 19

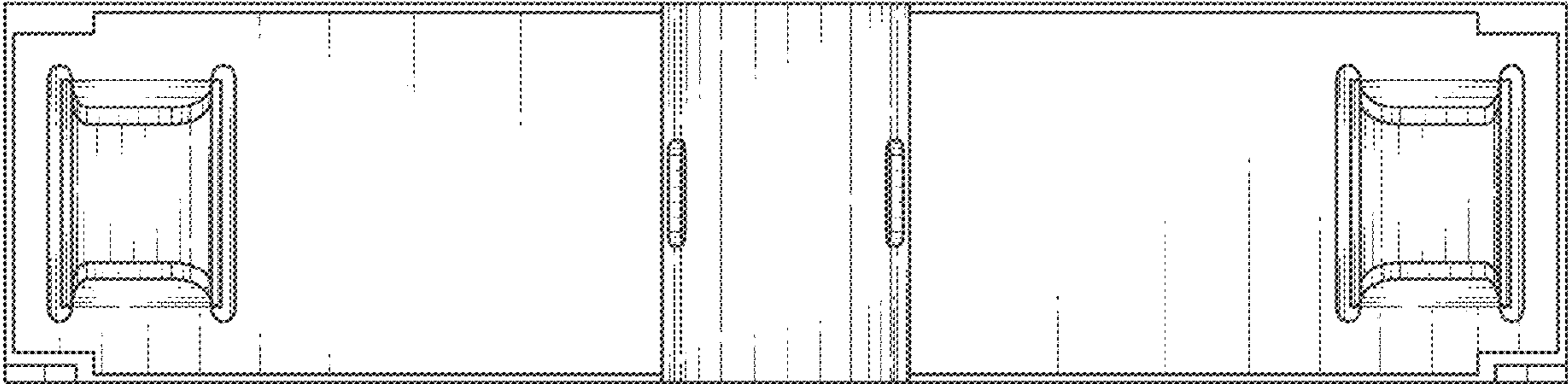


FIG. 20

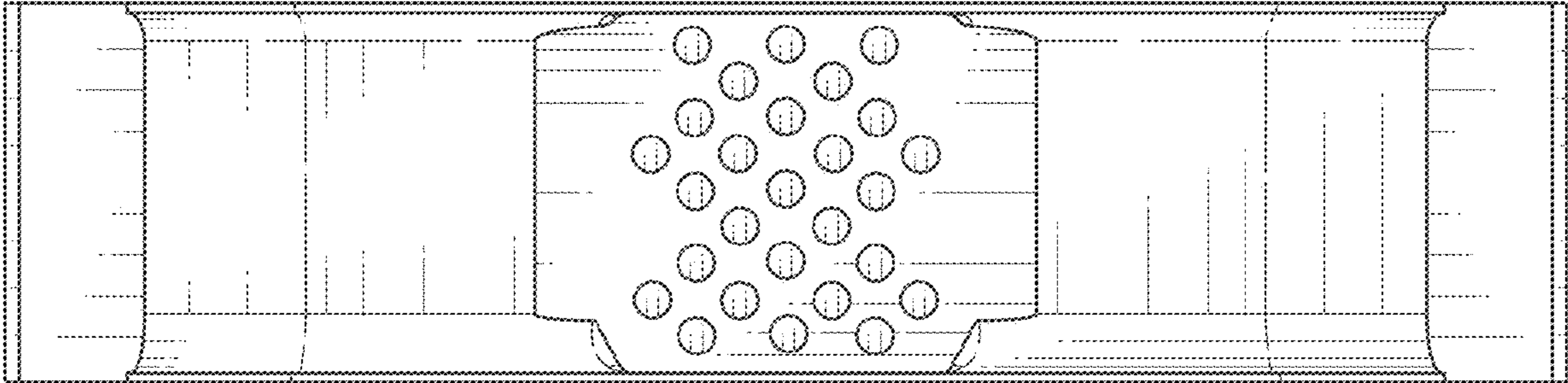


FIG. 21

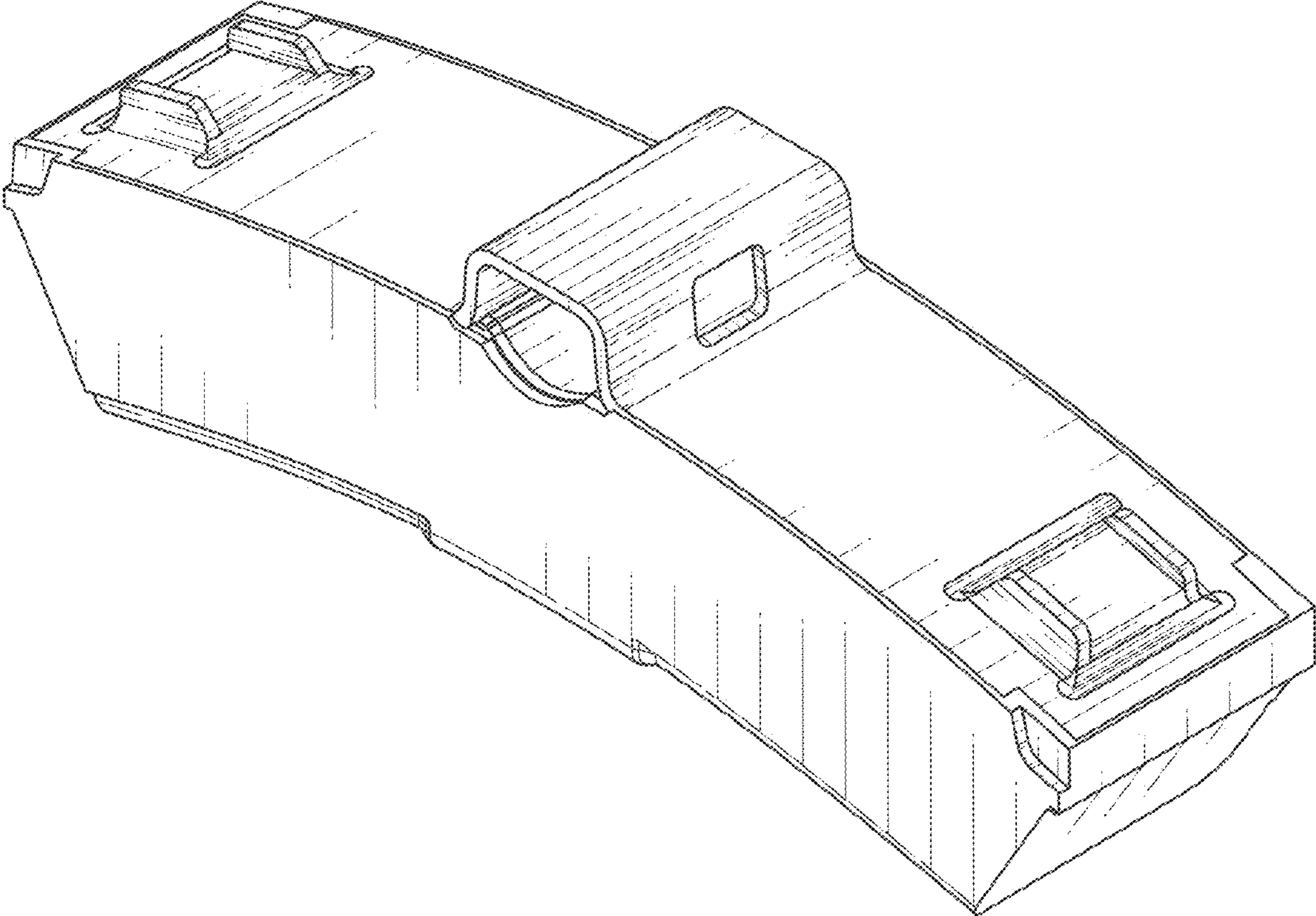


FIG. 22

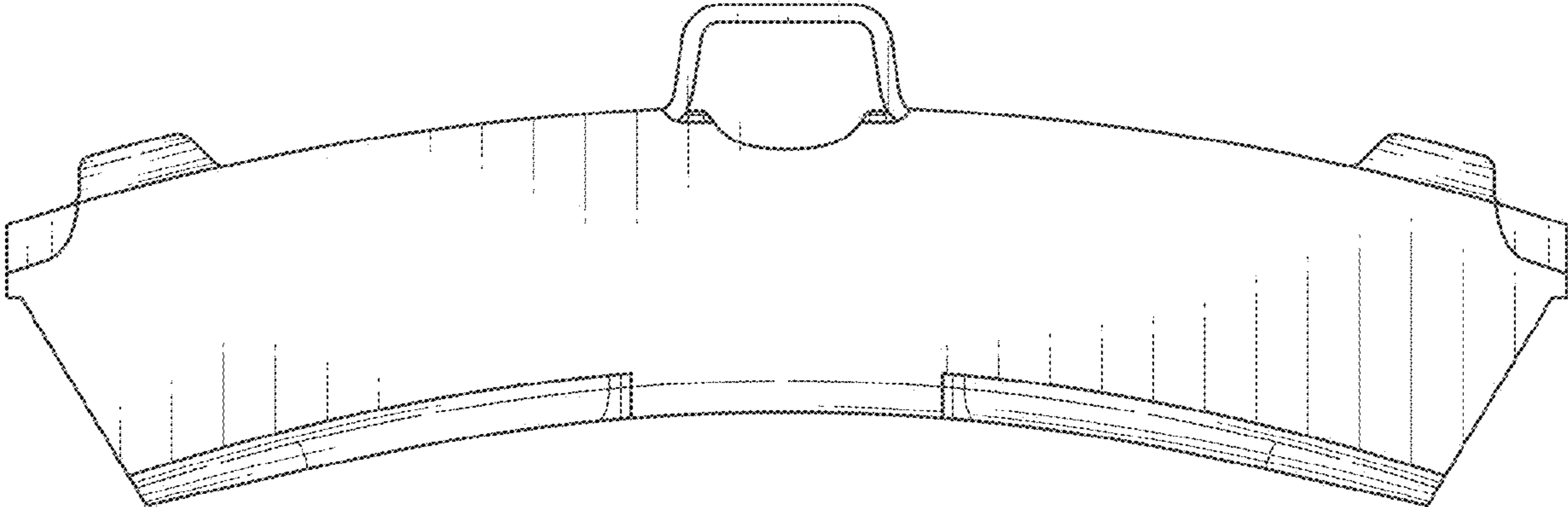


FIG. 23

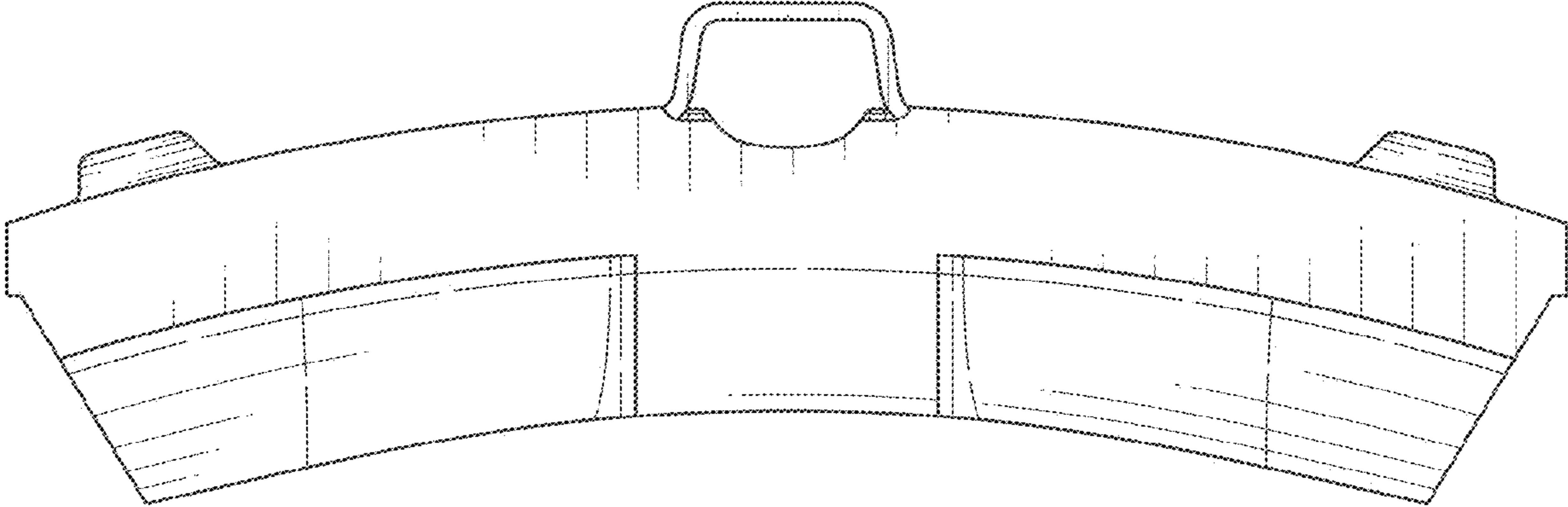


FIG. 24

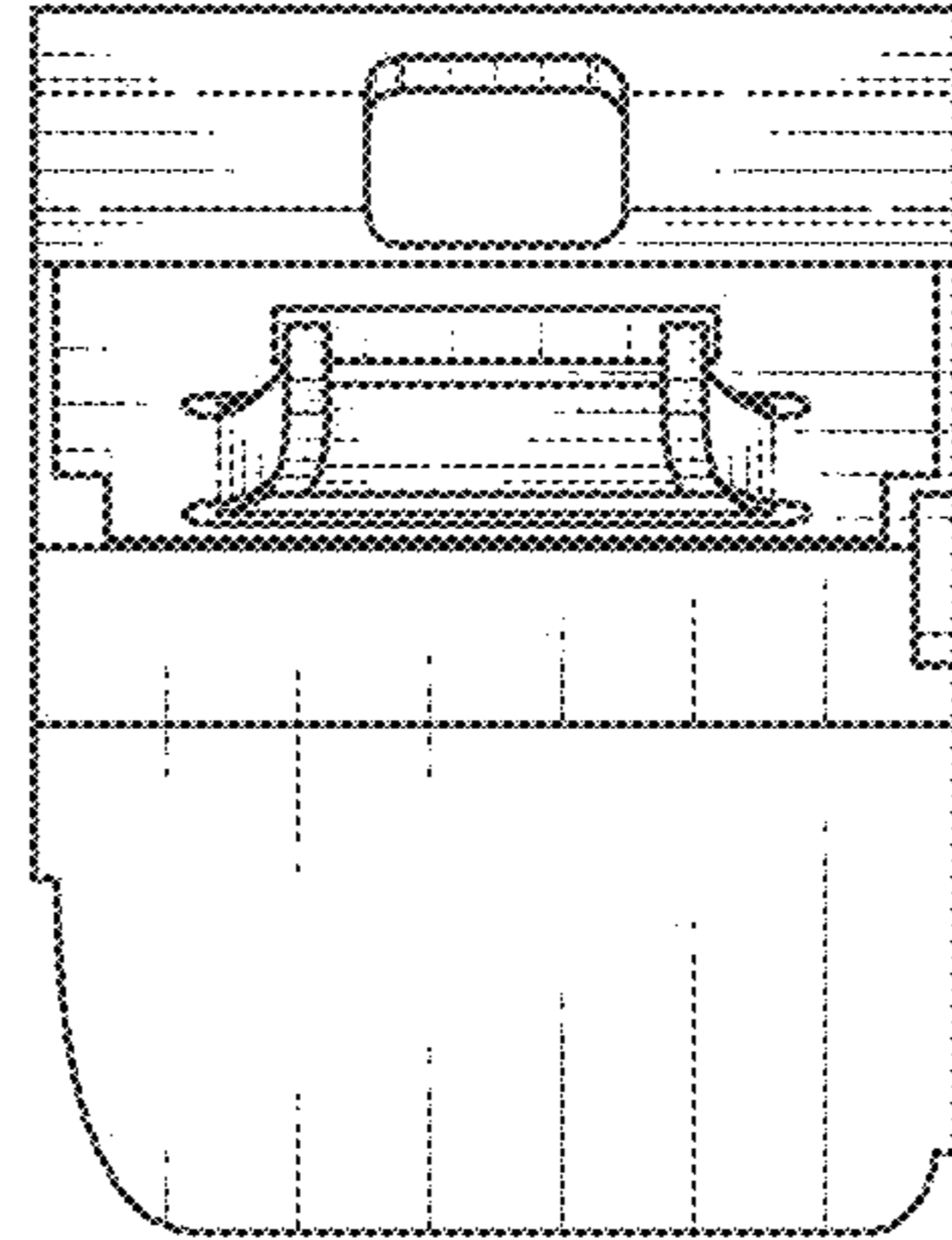


FIG. 25

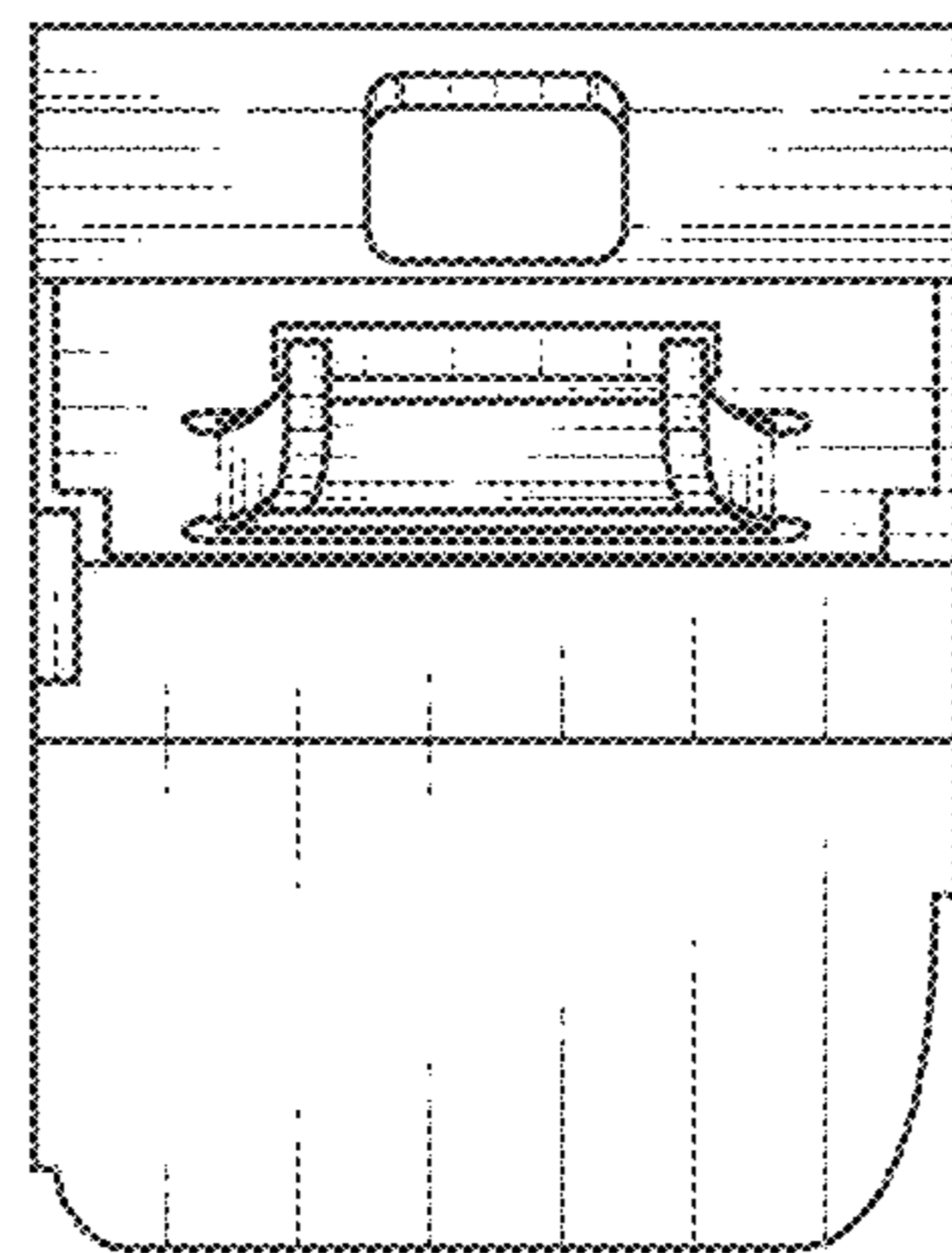


FIG. 26

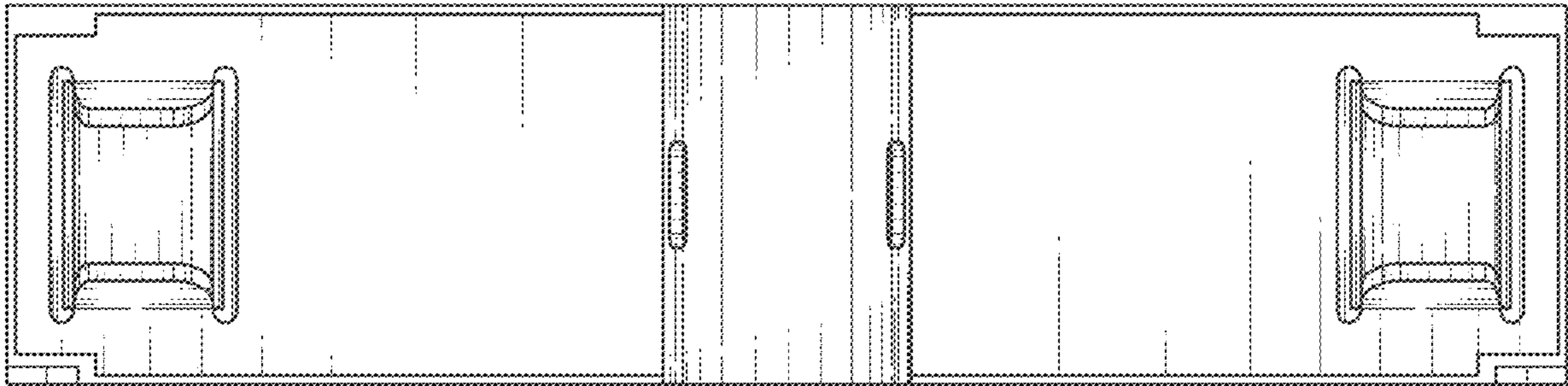


FIG. 27

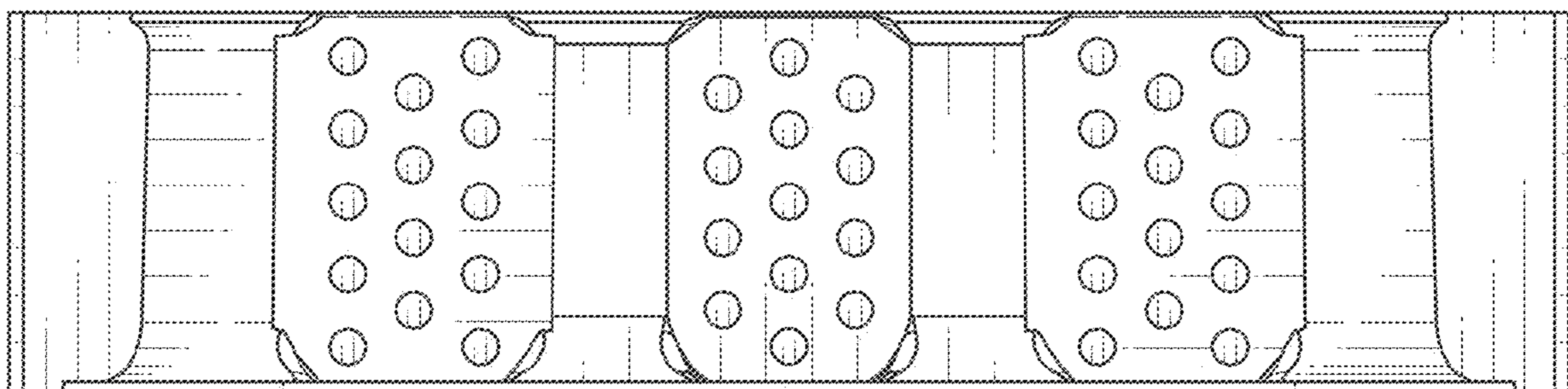


FIG. 28