



US00D988206S

(12) **United States Design Patent** (10) **Patent No.:** **US D988,206 S**
Willing et al. (45) **Date of Patent:** **** Jun. 6, 2023**

(54) **VEHICLE FRONT LOWER GRILLE**
(71) Applicant: **Ford Global Technologies, LLC**,
Dearborn, MI (US)
(72) Inventors: **Todd Willing**, Grosse Pointe, MI (US);
Max Wolff, Elsternwick (AU); **Max**
Tran, Pasco Vale (AU); **David Dewitt**,
Docklands (AU); **Seungyup Baek**,
Docklands Melbourne (AU)
(73) Assignee: **Ford Global Technologies, LLC**,
Dearborn, MI (US)
(**) Term: **15 Years**
(21) Appl. No.: **29/814,475**
(22) Filed: **Nov. 5, 2021**
(51) **LOC (14) Cl.** **12-16**
(52) **U.S. Cl.**
USPC **D12/163**
(58) **Field of Classification Search**
USPC D12/163, 196, 86, 90-92, 169, 164, 171;
293/193.11; 180/68.1, 68.6
CPC B62B 9/16; B60K 11/08; B62D 25/08;
B60R 19/52
See application file for complete search history.

(56) **References Cited**
U.S. PATENT DOCUMENTS
D473,500 S * 4/2003 Okumoto D12/169
D502,675 S * 3/2005 Ichinose D12/169
D504,366 S * 4/2005 Ishibashi D12/169
D533,819 S * 12/2006 Hogios D12/169
D561,072 S * 2/2008 Golden D12/169
D561,654 S * 2/2008 Platto D12/163
D578,443 S * 10/2008 Schiavone D12/163
D584,196 S * 1/2009 Ebel D12/163
D584,197 S * 1/2009 Song D12/163

D593,460 S * 6/2009 Schiavone D12/163
D680,921 S * 4/2013 Jara D12/163
D681,514 S * 5/2013 Platto D12/163
D683,667 S * 6/2013 Platto D12/163
D685,690 S * 7/2013 Svensson D12/163
D712,319 S * 9/2014 Mays D12/163
D740,184 S * 10/2015 Blanski D12/163
D758,927 S * 6/2016 Messale D12/163
D771,533 S * 11/2016 Kapitonov D12/169
D771,534 S * 11/2016 Bucher D12/169
D780,646 S * 3/2017 Wolff D12/163
D786,743 S * 5/2017 Smith D12/163
D788,656 S * 6/2017 Svensson D12/163
D789,840 S * 6/2017 Curie D12/163
D791,653 S * 7/2017 Svensson D12/163
D815,570 S * 4/2018 McMahan D12/163
D819,512 S * 6/2018 Behmer D12/163
D827,513 S * 9/2018 Gueler D12/163
D832,146 S * 10/2018 Metros D12/91

(Continued)

Primary Examiner — Melody N Brown
(74) *Attorney, Agent, or Firm* — Vichit Chea

(57) **CLAIM**

The ornamental design for a vehicle front lower grille, as shown and described.

DESCRIPTION

FIG. 1 is a front elevational view of a vehicle front lower grille, showing our new design;
FIG. 2 is a left side elevational view thereof;
FIG. 3 is a right side elevational view thereof;
FIG. 4 is a top plan view thereof;
FIG. 5 is a bottom plan view thereof;
FIG. 6 is a bottom, front and left side perspective view thereof; and,
FIG. 7 is a top, front and left side perspective view thereof.
The claimed design is indicated by the relatively dark portions in the figures. The de-emphasized and relatively light portions form no part of the claimed design.

1 Claim, 7 Drawing Sheets



(56)

References Cited

U.S. PATENT DOCUMENTS

| | | | | |
|------------|---|---------|-------------------|---------|
| D835,002 S | * | 12/2018 | Metros | D12/91 |
| D837,700 S | * | 1/2019 | Gueler | D12/163 |
| D841,528 S | * | 2/2019 | Razaghi | D12/163 |
| D879,679 S | * | 3/2020 | Kezha | D12/163 |
| D909,929 S | * | 2/2021 | Bucher | D12/163 |
| D924,741 S | * | 7/2021 | Hunwick | D12/163 |
| D937,143 S | * | 11/2021 | Hamilton | D12/163 |
| D944,131 S | * | 2/2022 | Ponomarenko | D12/163 |
| D944,133 S | * | 2/2022 | Jevremovic | D12/163 |
| D965,478 S | * | 10/2022 | Ahn | D12/163 |
| D971,092 S | * | 11/2022 | Kaoud | D12/163 |

* cited by examiner

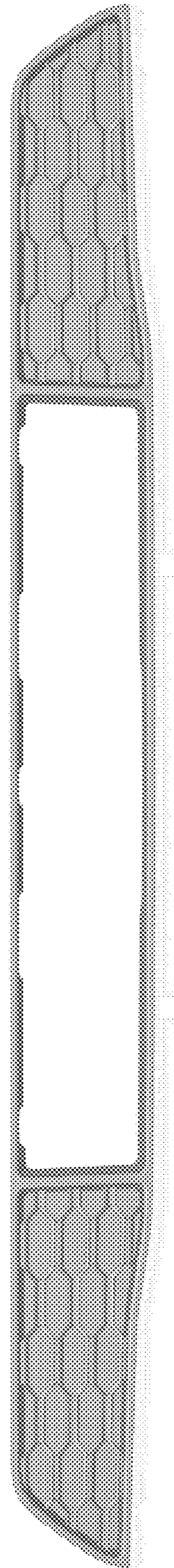


Fig. 1

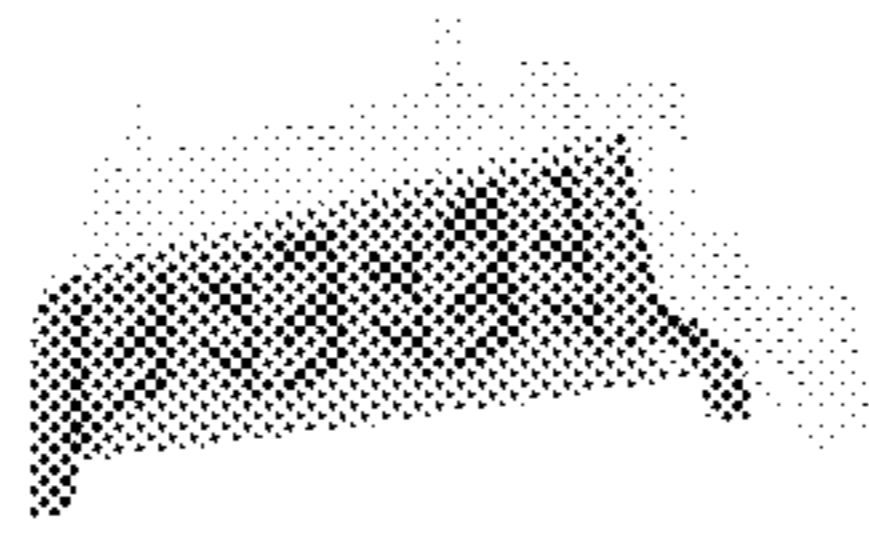


Fig. 2

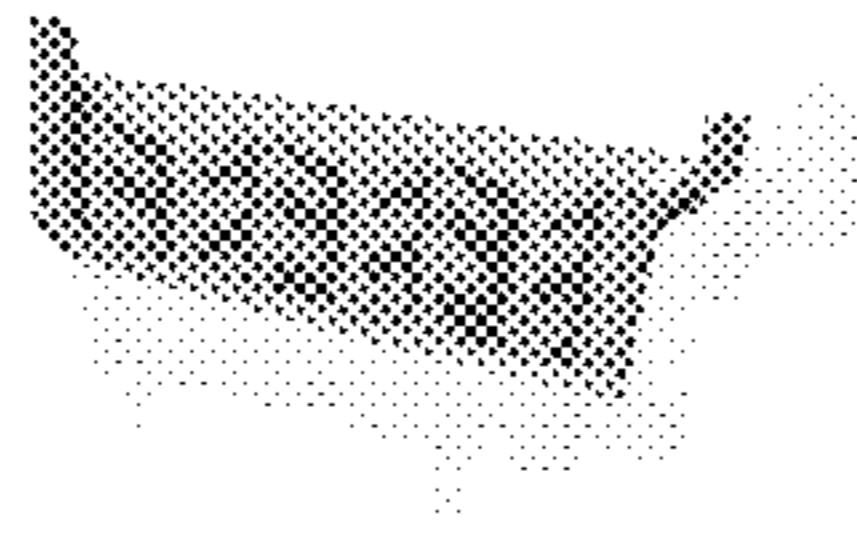


Fig. 3

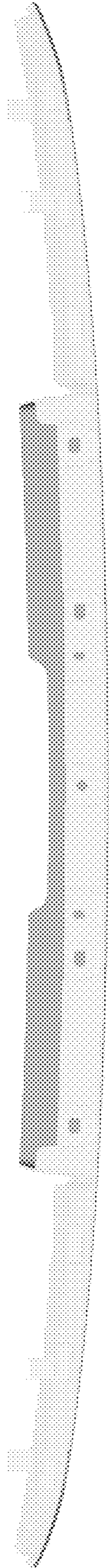


Fig.4

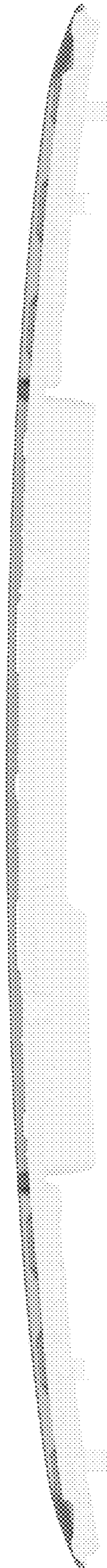


Fig. 5

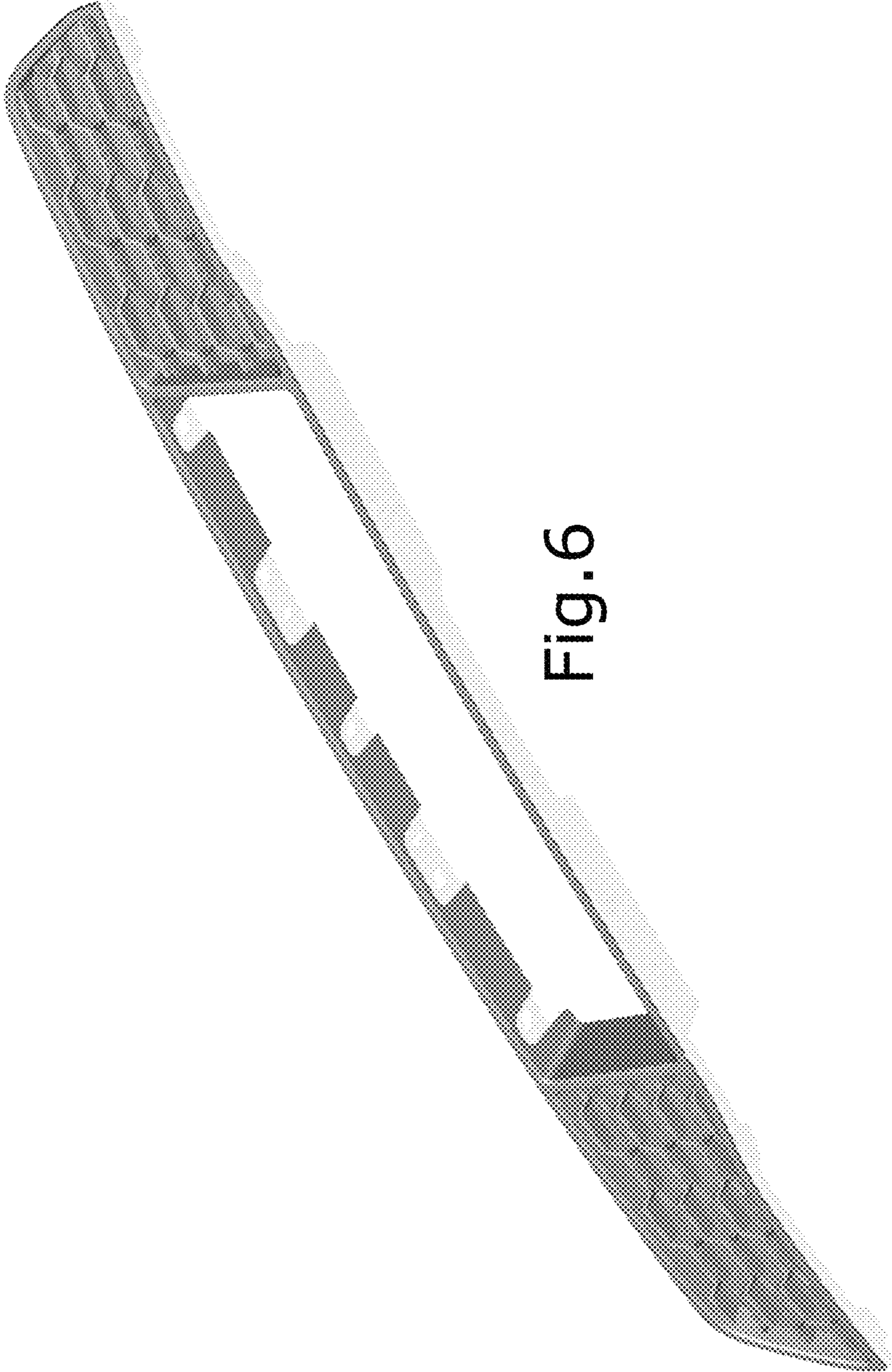


Fig. 6

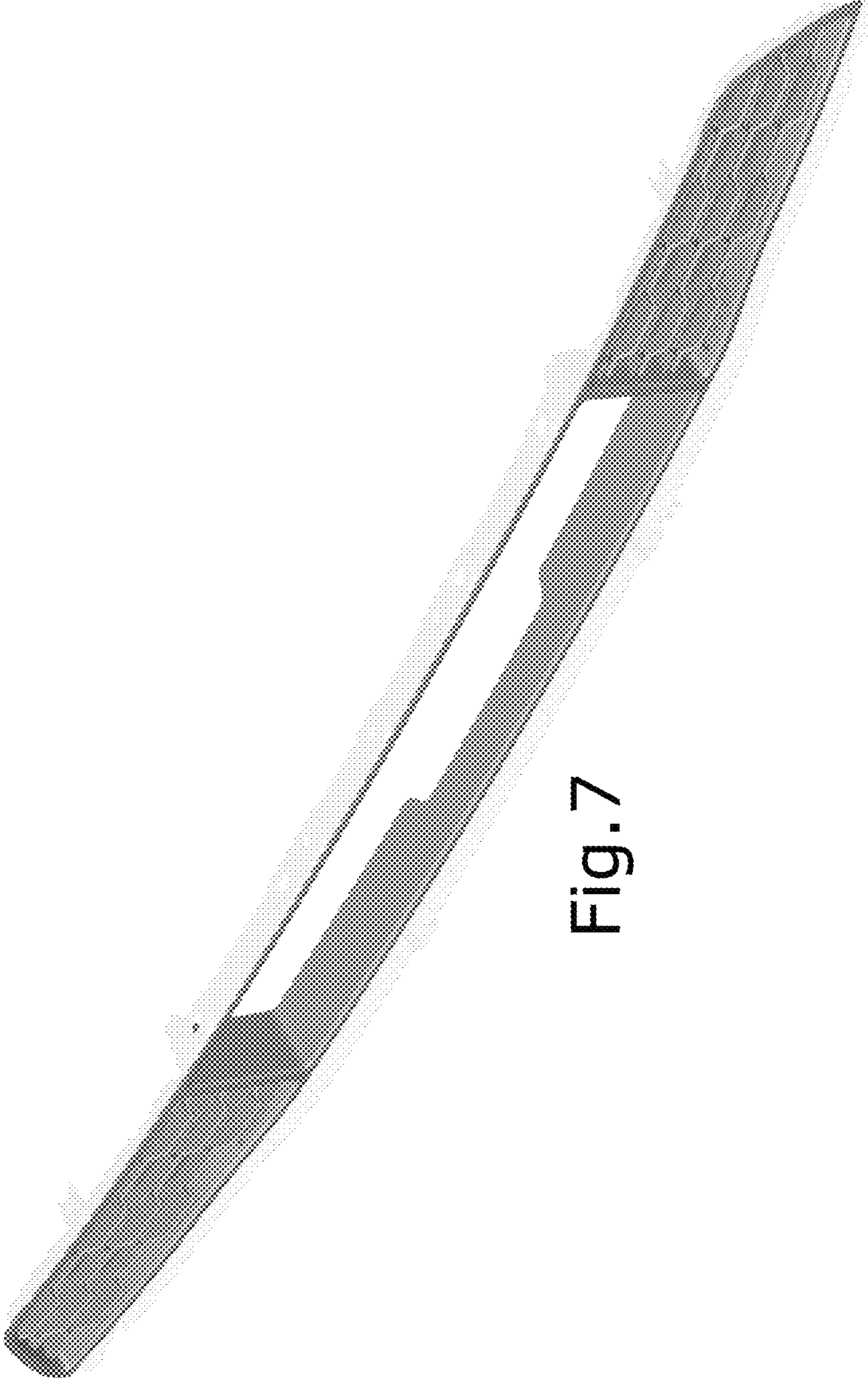


Fig. 7