



US00D988204S

(12) **United States Design Patent**  
**Duncan et al.**

(10) **Patent No.:** **US D988,204 S**

(45) **Date of Patent:** **\*\* Jun. 6, 2023**

(54) **VEHICLE GRILLE**  
(71) Applicant: **PACCAR Inc**, Bellevue, WA (US)  
(72) Inventors: **Jonathan S. Duncan**, Seattle, WA (US); **Steven H. Hovind**, Renton, WA (US); **Scott D. Hite**, Pilot Point, TX (US); **Brent Johnson**, Denton, TX (US); **Tu H. Do**, Lewisville, TX (US); **Troy R. McCuller**, Corinth, TX (US)

D395,860 S 7/1998 Meryman et al.  
D401,198 S 11/1998 Mueller et al.  
D403,636 S 1/1999 Meryman et al.  
D403,639 S 1/1999 Gale et al.  
D405,037 S \* 2/1999 Meryman ..... D12/163  
D411,494 S 6/1999 Meryman et al.  
D412,689 S 8/1999 Onopa  
D422,251 S 4/2000 Bader et al.  
D431,806 S 10/2000 Damon et al.  
D433,980 S 11/2000 Conway et al.

(Continued)

(73) Assignee: **PACCAR Inc**, Bellevue, WA (US)

(\*\*) Term: **15 Years**

(21) Appl. No.: **29/634,311**

(22) Filed: **Jan. 19, 2018**

(51) **LOC (14) Cl.** ..... **12-16**

(52) **U.S. Cl.**  
USPC ..... **D12/163**

(58) **Field of Classification Search**  
USPC ..... D12/86, 90, 91, 92, 163, 169, 196, 171,  
D12/216; 293/113, 115, 117, 120;  
296/180.1, 180.2

CPC . B60R 19/52; B60R 2019/525; B60K 11/085;  
B62D 25/084; B62D 25/085; H01Q 1/32

See application file for complete search history.

(56) **References Cited**

**U.S. PATENT DOCUMENTS**

D50,345 S 2/1917 Green  
D50,346 S 2/1917 Green  
D366,638 S 1/1996 Tucker et al.  
D366,640 S 1/1996 Tucker et al.  
D378,812 S 4/1997 Aycock  
D380,723 S \* 7/1997 Burton ..... D12/196  
D382,239 S 8/1997 Logan et al.  
D382,841 S 8/1997 Norwood et al.  
D382,844 S 8/1997 Norwood et al.

**OTHER PUBLICATIONS**

“T440,” Kenworth Truck Company, Kirkland, Washington, 2010, 2-page brochure.

(Continued)

*Primary Examiner* — Cary M Robinson

*Assistant Examiner* — Adam C Mager

(74) *Attorney, Agent, or Firm* — Seed IP Law Group LLP

(57) **CLAIM**

The ornamental design for a vehicle grille, as shown and described.

**DESCRIPTION**

FIG. 1 is a perspective view of a vehicle grille showing our new design;

FIG. 2 is a front view of the vehicle grille shown in FIG. 1;

FIG. 3 a top view of the vehicle grille shown in FIG. 1; and,

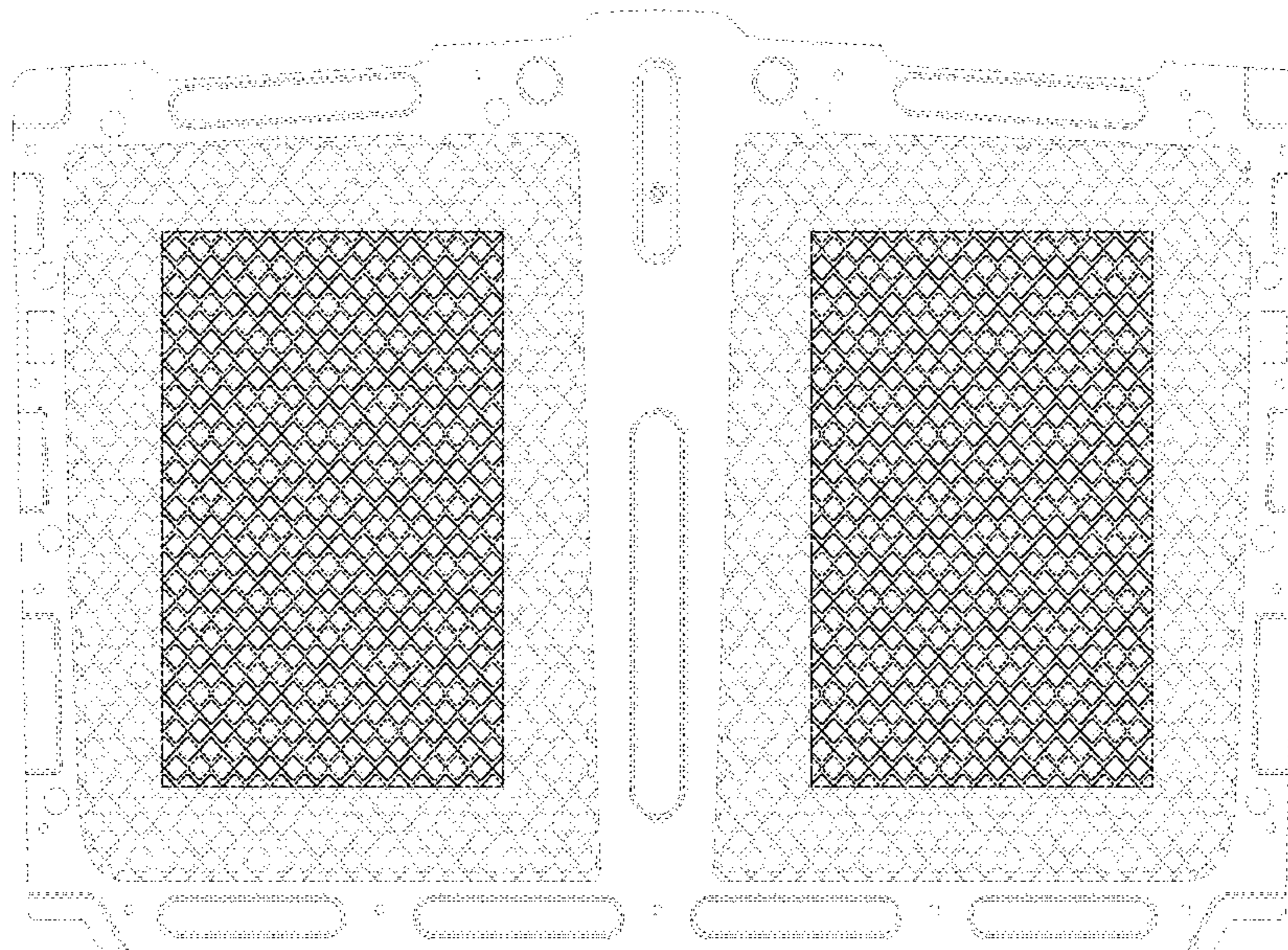
FIG. 4 is a right side view of the vehicle grille shown in FIG. 1,

the left side view of the vehicle grille shown in FIG. 1 being mirror symmetrical to FIG. 4.

The broken lines shown in the figures represent portions of the vehicle grille that form no part of the claimed design.

Boundary lines comprising long dashes separated by a single dash are shown in FIGS. 1 and 2 to represent the boundary of the claimed subject matter.

**1 Claim, 4 Drawing Sheets**



(56)

References Cited

U.S. PATENT DOCUMENTS

D434,358 S 11/2000 Conway et al.  
 D435,816 S 1/2001 Delashaw et al.  
 D436,563 S 1/2001 Delashaw et al.  
 D443,853 S 6/2001 Barraclough et al.  
 D446,175 S 8/2001 Hoyle, Jr.  
 D450,277 S 11/2001 Onopa  
 D460,023 S 7/2002 Beigel  
 D465,749 S 11/2002 Beigel  
 D466,450 S 12/2002 Maher et al.  
 D478,300 S 8/2003 Chiang  
 D482,993 S 12/2003 Conway et al.  
 D484,077 S 12/2003 Conway et al.  
 D488,112 S 4/2004 Satou  
 D490,749 S 6/2004 Satou et al.  
 D491,858 S 6/2004 Velazco  
 D492,921 S 7/2004 Perfetti et al.  
 D494,900 S 8/2004 Satou  
 D495,633 S 9/2004 Chiang  
 D497,581 S 10/2004 Conway et al.  
 D502,901 S 3/2005 Delashaw et al.  
 D502,904 S 3/2005 Delashaw et al.  
 D504,642 S 5/2005 Perfetti et al.  
 D511,727 S 11/2005 Shaw et al.  
 D512,666 S 12/2005 Chiang  
 D514,483 S 2/2006 Chiang  
 D517,965 S 3/2006 Metros et al.  
 D518,761 S 4/2006 Chiang  
 D523,793 S 6/2006 Beigel et al.  
 D524,204 S 7/2006 Beigel  
 D531,947 S 11/2006 Angelo et al.  
 D532,350 S 11/2006 Angelo et al.  
 D532,352 S 11/2006 Angelo et al.  
 D540,725 S 4/2007 Gunter et al.  
 D540,727 S 4/2007 Elliott et al.  
 D545,250 S 6/2007 Angelo et al.  
 D545,251 S 6/2007 Angelo et al.  
 D545,254 S 6/2007 Angelo et al.  
 D545,255 S 6/2007 Angelo et al.  
 D560,575 S 1/2008 Simons et al.  
 D560,582 S 1/2008 Simons et al.  
 D560,583 S 1/2008 Simons et al.  
 D563,281 S 3/2008 Simons et al.  
 D563,849 S 3/2008 Medina et al.  
 D563,850 S 3/2008 Rosen et al.  
 D563,851 S 3/2008 Rosen et al.  
 D563,852 S 3/2008 Rosen et al.  
 D563,853 S 3/2008 Rosen et al.  
 D564,427 S 3/2008 Beigel et al.  
 D566,635 S 4/2008 Rosen et al.  
 D571,696 S 6/2008 Rosen et al.  
 D578,453 S 10/2008 Raghavendran et al.  
 D588,512 S 3/2009 Raghavendran et al.  
 D592,574 S 5/2009 Larson  
 D597,003 S 7/2009 Yamazaki et al.  
 D605,986 S 12/2009 Raghavendran et al.  
 D619,941 S 7/2010 Krauss  
 D621,754 S 8/2010 Angelo et al.  
 D622,188 S 8/2010 Angelo et al.  
 D632,234 S 2/2011 Peltola et al.  
 D643,352 S 8/2011 Hjorten et al.  
 D647,016 S 10/2011 Medina et al.  
 D647,832 S 11/2011 Medina et al.  
 D654,401 S 2/2012 Peltola et al.  
 D654,417 S 2/2012 Peltola et al.  
 D685,294 S 7/2013 Hanson et al.  
 D686,122 S 7/2013 Peltola et al.  
 D690,242 S 9/2013 Conway et al.  
 D690,632 S 10/2013 Peltola et al.  
 D699,650 S 2/2014 Peltola et al.  
 D699,651 S 2/2014 Peltola et al.  
 D702,609 S 4/2014 Hovind et al.  
 D702,615 S 4/2014 Conway et al.  
 D706,690 S 6/2014 Peltola et al.  
 D707,160 S 6/2014 Peltola et al.  
 D707,161 S 6/2014 Peltola et al.

D707,163 S 6/2014 Peltola et al.  
 D708,104 S 7/2014 Conway et al.  
 D708,553 S 7/2014 Conway et al.  
 D708,985 S 7/2014 Peltola et al.  
 D708,986 S 7/2014 Conway et al.  
 D708,989 S 7/2014 Peltola et al.  
 D708,990 S 7/2014 Conway et al.  
 D708,999 S 7/2014 Conway et al.  
 D709,000 S 7/2014 Peltola et al.  
 D709,001 S 7/2014 Conway et al.  
 D709,406 S 7/2014 Conway et al.  
 D709,407 S 7/2014 Conway et al.  
 D709,408 S 7/2014 Peltola et al.  
 D709,410 S 7/2014 Conway et al.  
 D709,411 S 7/2014 Peltola et al.  
 D709,421 S 7/2014 Conway et al.  
 D709,422 S 7/2014 Peltola et al.  
 D709,423 S 7/2014 Peltola et al.  
 D709,424 S 7/2014 Conway et al.  
 D709,425 S 7/2014 Conway et al.  
 D710,765 S 8/2014 Conway et al.  
 D714,195 S 9/2014 Conway et al.  
 D722,934 S 2/2015 Conway et al.  
 D729,709 S 5/2015 Conway et al.  
 D746,200 S 12/2015 Leetz  
 D756,855 S 5/2016 Leetz et al.  
 D770,335 S 11/2016 Walterscheid et al.  
 D774,996 S \* 12/2016 Wheel ..... D12/163  
 D782,381 S 3/2017 Conway et al.  
 D787,384 S \* 5/2017 Ito ..... D12/163  
 D790,410 S \* 6/2017 Ito ..... D12/163  
 D805,981 S 12/2017 Conway et al.  
 D826,096 S \* 8/2018 Ito ..... D12/93  
 D827,512 S \* 9/2018 Hill ..... D12/163  
 D837,702 S \* 1/2019 Gander ..... D12/173  
 D853,894 S \* 7/2019 Yang ..... D12/163  
 D853,895 S \* 7/2019 Yang ..... D12/163  
 D857,569 S \* 8/2019 Beaven ..... D12/163  
 D926,642 S \* 8/2021 Duncan ..... D12/163  
 D948,388 S \* 4/2022 Touraine ..... D12/163  
 D953,216 S \* 5/2022 Duncan ..... D12/163  
 2013/0025954 A1 1/2013 Miller et al.

OTHER PUBLICATIONS

“T440,” Kenworth Truck Company, Kirkland, Washington, 2010, 6-page brochure.  
 “T470,” Kenworth Truck Company, Kirkland, Washington, 2010, 6-page brochure.  
 “T470H,” Kenworth Truck Company, Kirkland, Washington, 2009, 2-page brochure.  
 “T600,” Kenworth Truck Company, Kirkland, Washington, 1996, 7-page brochure.  
 “T600,” Kenworth Truck Company, Kirkland, Washington, 2002, 28-page brochure.  
 “T600,” Kenworth Truck Company, Kirkland, Washington, 2005, 24-page brochure.  
 “T600A,” Kenworth Truck Company, Kirkland, Washington, 1985, 10-page brochure.  
 “T660,” Kenworth Truck Company, Kirkland, Washington, 2007, 36-page brochure.  
 “T660,” Kenworth Truck Company, Kirkland, Washington, 2009, 36-page brochure.  
 “T700,” Kenworth Truck Company, Kirkland, Washington, 2010, 6-page brochure.  
 “T800,” Kenworth Truck Company, Kirkland, Washington, 1996, 7-page brochure.  
 “T800,” Kenworth Truck Company, Kirkland, Washington, 2002, 32-page brochure.  
 “T800,” Kenworth Truck Company, Kirkland, Washington, 2003, 32-page brochure.  
 “T800,” Kenworth Truck Company, Kirkland, Washington, 2005, 28-page brochure.  
 “T800,” Kenworth Truck Company, Kirkland, Washington, 2009, 28-page brochure.

(56)

**References Cited**

## OTHER PUBLICATIONS

“T800B,” Kenworth Truck Company, Kirkland, Washington, 1993, 8-page brochure.

“The Working Class,” Peterbilt Motors Company, Newark, California, Sep. 1976, 6-page brochure.

“The World’s Best,” Kenworth Truck Company, Kirkland, Washington, 1992, 12-page brochure.

“Unibilt™ Cab Sleeper System,” Peterbilt Motors Company, Denton Texas, Aug. 1994, 6-page brochure.

“W900,” Kenworth Truck Company, Kirkland, Washington, 1996, 7-page brochure.

“W900,” Kenworth Truck Company, Kirkland, Washington, 2002, 32-page brochure.

“W900,” Kenworth Truck Company, Kirkland, Washington, 2005, 28-page brochure.

“W900,” Kenworth Truck Company, Kirkland, Washington, 2009, 28-page brochure.

“W900L Aero Cab,” Kenworth Truck Company, Kirkland, Washington, 1994, 2-page brochure.

“AeroCab,” Kenworth Truck Company, Kirkland, Washington, 1993, 5-page brochure.

“AeroCab,” Kenworth Truck Company, Kirkland, Washington, as early as 1995, 3-page brochure.

“C500B,” Kenworth Truck Company, Kirkland, Washington, as early as 1990, 4-page brochure.

“Class Pays, Medium Duty,” Peterbilt Motors Company, Denton, Texas, Sep. 2000, 12-page brochure.

“Class Pays, Truck Models,” Peterbilt Motors Company, Denton, Texas, Mar. 2005, 24-page brochure.

“Class Pays,” Peterbilt Motors Company, Denton, Texas, Nov. 1998, 10-page brochure.

Class Pays, Peterbilt Motors Company, Denton, Texas, Sep. 1997, 10-page brochure.

Class Pays, Construction Trucks, Peterbilt Motors Company, Denton, Texas, Nov. 2003, 16-page brochure.

“Kenworth Truck Models,” Kenworth Truck Company, Kirkland, Washington, 2010, 16-page brochure.

“Model 330,” Peterbilt Motors Company, Denton, Texas, Oct. 1997, 3-page brochure.

“Model 357 Heavy Haul,” Peterbilt Motors Company, Denton, Texas, Mar. 2005, 2-page brochure.

“Model 357 Standard Specifications,” Peterbilt Motors Company, Newark, California, Sep. 1986, 6-page brochure.

“Model 357, New Sloped Hood,” Peterbilt Motors Company, Denton, Texas, May 2002, 2-page brochure.

“Model 357,” Peterbilt Motors Company, Denton, Texas, May 1994, 3-page brochure.

“Model 357-115,” Peterbilt Motors Company, Denton, Texas, Mar. 2005, 2-page brochure.

“Model 375 Standard Specifications,” Peterbilt Motors Company, Newark, California, Sep. 1986, 6-page brochure.

“Model 377A/E,” Peterbilt Motors Company, Denton, Texas, Aug. 1997, 2-page brochure.

“Model 377A/E,” Peterbilt Motors Company, Denton, Texas, Jan. 1995, 6-page brochure.

“Model 378,” Peterbilt Motors Company, Denton, Texas, Mar. 1998, 3-page brochure.

“Model 379,” Peterbilt Motors Company, Denton, Texas, Apr. 2005, 2-page brochure.

“Model 379,” Peterbilt Motors Company, Denton, Texas, Mar. 1996, 5-page brochure.

“Model 385,” Peterbilt Motors Company, Denton, Texas, Oct. 1996, 5-page brochure.

“Model 387,” Peterbilt Motors Company, Denton, Texas, Oct. 2002, 2-page brochure.

“Rest with Class,” Peterbilt Motors Company, Newark, California, Apr. 1978, 4-page brochure.

“T170 Class 5,” Kenworth Truck Company, Kirkland, Washington, 2008, 4-page brochure.

“T2000,” Kenworth Truck Company, Kirkland, Washington, 1999, 20-page brochure.

“T2000,” Kenworth Truck Company, Kirkland, Washington, 2002, 20-page brochure.

“T2000,” Kenworth Truck Company, Kirkland, Washington, 2005, 20-page brochure.

“T270 Class 6 and T370 Class 7,” Kenworth Truck Company, Kirkland, Washington, 2008, 6-page brochure.

“T270 Class 6 and T370 Class 7,” Kenworth Truck Company, Kirkland, Washington, 2009, 6-page brochure.

“T270 Class 6 and T370 Class 7 Hybrid,” Kenworth Truck Company, Kirkland, Washington, 2009, 6-page brochure.

“T300,” Kenworth Truck Company, Kirkland, Washington, 1994, 4-page brochure.

“T300,” Kenworth Truck Company, Kirkland, Washington, 2001, 16-page brochure.

“T300,” Kenworth Truck Company, Kirkland, Washington, 2005, 16-page brochure.

“T680,” Kenworth Truck Company, Kirkland, Washington, 2013, 34-page brochure.

“T680,” Kenworth Truck Company, Kirkland, Washington, 2016, 34-page brochure.

“T880,” Kenworth Truck Company, Kirkland, Washington, 2017, 32-page brochure.

“Model 579,” Peterbilt Motors Company, Denton, Texas, 2013, 13-page brochure.

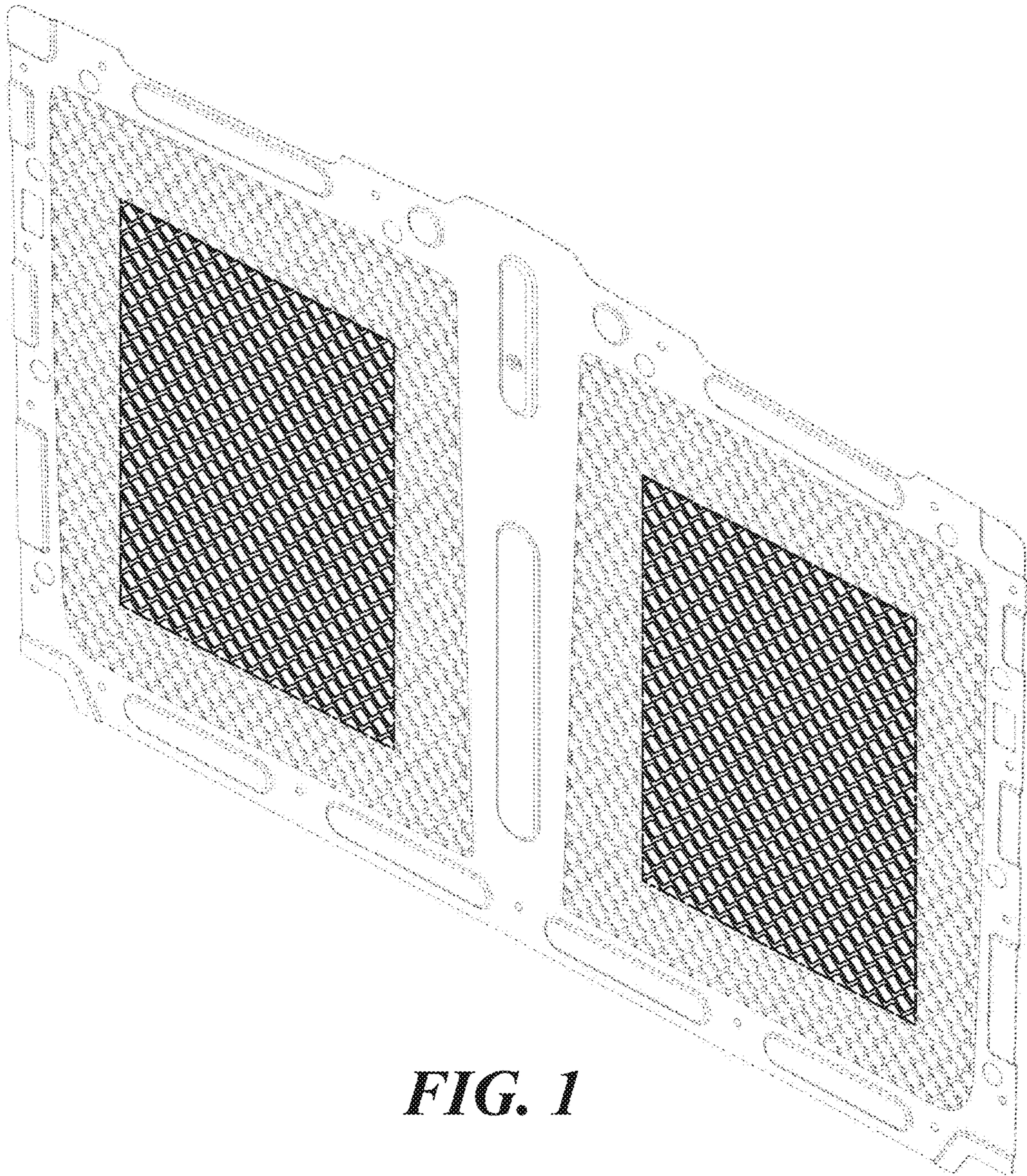
“Model 587,” Peterbilt Motors Company, Denton, Texas, 2011, 4-page brochure.

“Medium-Duty,” Peterbilt Motors Company, Denton, Texas, 2013, 9-page brochure.

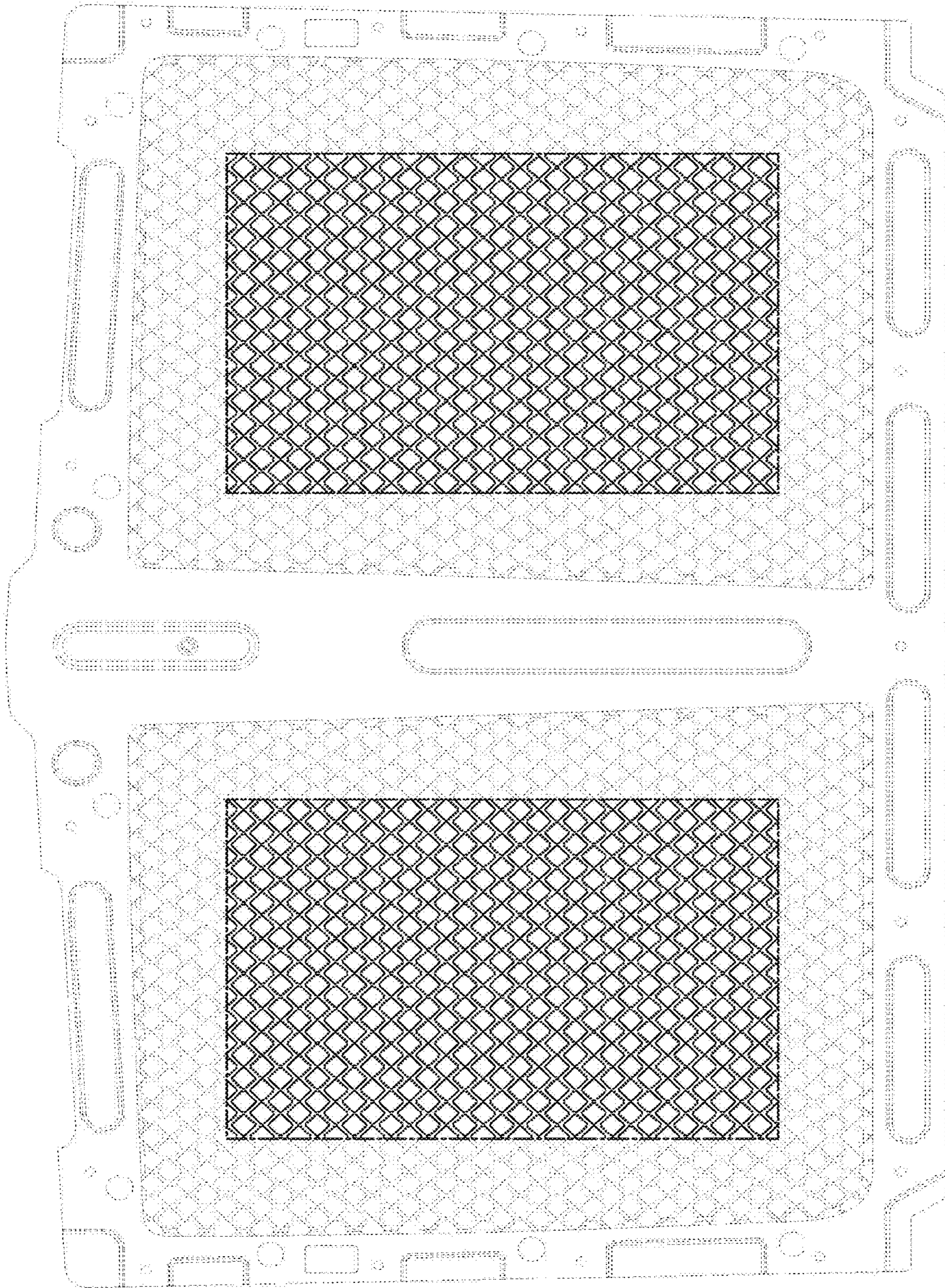
“On-Highway,” Peterbilt Motors Company, Denton, Texas, 2013, 13-page brochure.

“Vocational,” Peterbilt Motors Company, Denton, Texas, 2013, 11-page brochure.

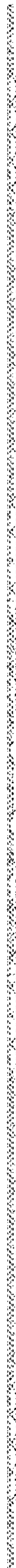
\* cited by examiner



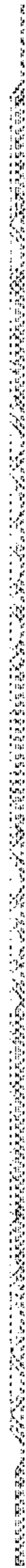
***FIG. 1***



**FIG. 2**



**FIG. 3**



***FIG. 4***