



US00D988203S

(12) **United States Design Patent**
Strong et al.

(10) **Patent No.:** **US D988,203 S**

(45) **Date of Patent:** **** Jun. 6, 2023**

(54) **BICYCLE TRANSIT STRAP**

(71) Applicants: **Amatrimara Inc.**, Oakville (CA);
Bentech Inc., Philadelphia, PA (US)

(72) Inventors: **Scott Strong**, Oakville (CA); **Arash Jenab**, Hamilton (CA); **Robert Benninghoff**, Philadelphia, PA (US);
Jeffrey Fox, Philadelphia, PA (US)

(73) Assignees: **AMATRIMARA INC.**, Oakville (CA);
BENTECH INC., Philadelphia, PA (US)

(**) Term: **15 Years**

(21) Appl. No.: **29/749,184**

(22) Filed: **Sep. 3, 2020**

(51) **LOC (14) Cl.** **12-11**

(52) **U.S. Cl.**
USPC **D12/114**

(58) **Field of Classification Search**
USPC D12/114, 111, 117, 133, 400; D11/200,
D11/201, 202, 212, 214, 215; D8/303,
D8/306, 356, 396; D3/327, 328
CPC ... B60N 3/02; B60N 3/026; B60R 9/10; B62J
11/00; B62J 11/20
See application file for complete search history.

(56) **References Cited**

U.S. PATENT DOCUMENTS

729,696	A *	6/1903	Swift	B60N 3/02 105/354
D263,537	S *	3/1982	Markham	D8/356
4,852,778	A *	8/1989	Beiser	B62J 9/21 D3/229
4,862,563	A *	9/1989	Flynn	F16B 2/08 24/442
D344,038	S *	2/1994	Phillips	D11/5
D361,965	S *	9/1995	Clark	D12/133
D467,520	S *	12/2002	Petros	D11/200

D541,190	S *	4/2007	Plzak	D11/200
D603,301	S *	11/2009	Evans	D12/114
D638,330	S *	5/2011	Fahrendorff	D11/200
D681,504	S *	5/2013	Kalbach	D11/201

(Continued)

Primary Examiner — Michelle E. Wilson

Assistant Examiner — Clese Moore, Jr.

(74) *Attorney, Agent, or Firm* — The H.T. Than Law Group

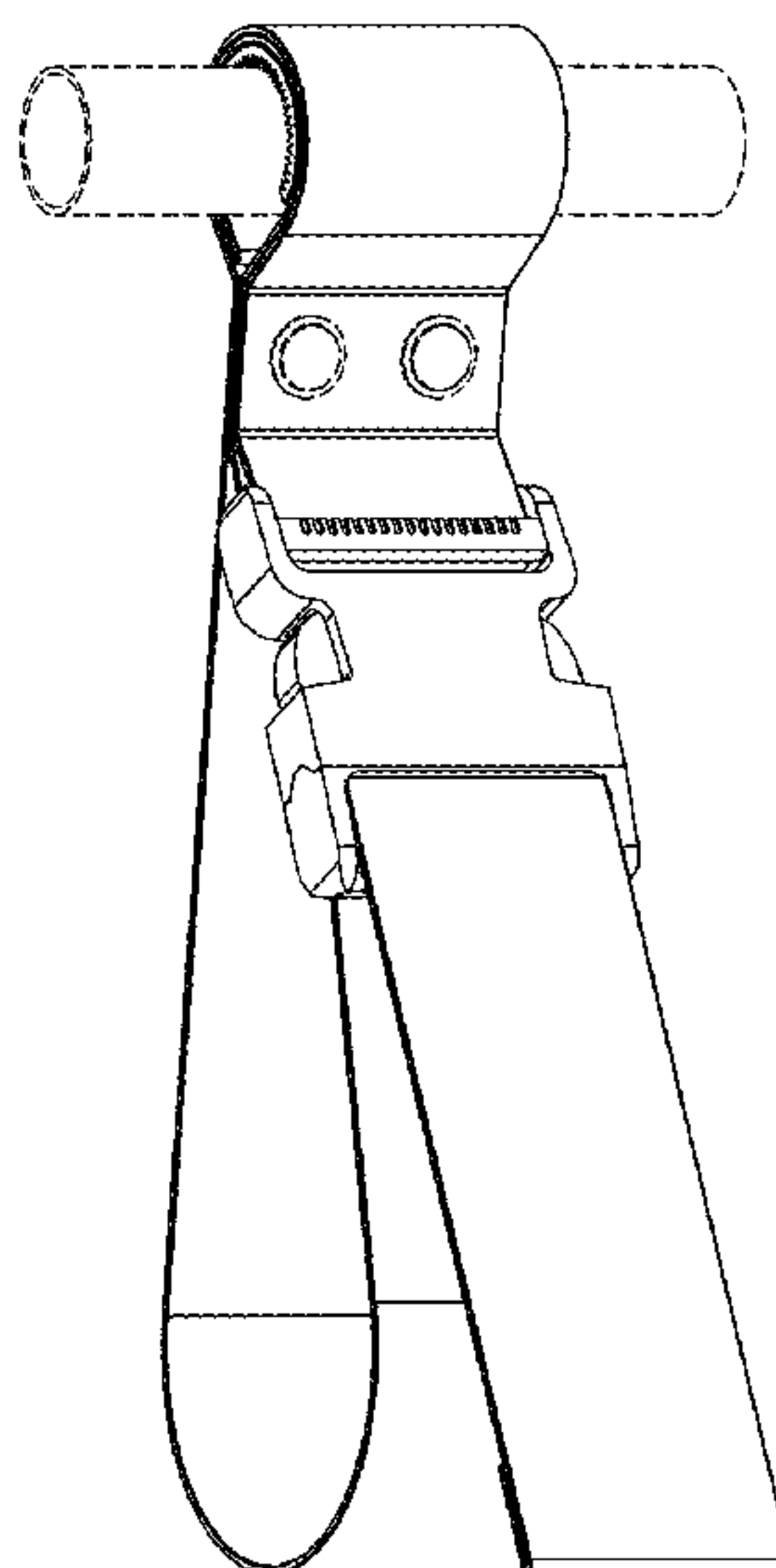
(57) **CLAIM**

We claim the ornamental design for a bicycle transit strap, as shown and described.

DESCRIPTION

FIG. 1 is a perspective view of a bicycle transit strap in a buckled position;
 FIG. 2 is a front view of the bicycle transit strap in a buckled position;
 FIG. 3 is a right side view of the bicycle transit strap in a buckled position;
 FIG. 4 is a left side view of the bicycle transit strap in a buckled position;
 FIG. 5 is a back view of the bicycle transit strap in a buckled position;
 FIG. 6 is a perspective view of the bicycle transit strap in an unbuckled position;
 FIG. 7 is a front view of the bicycle transit strap in an unbuckled position;
 FIG. 8 is a right side view of the bicycle transit strap in an unbuckled position;
 FIG. 9 is a left side view of the bicycle transit strap in an unbuckled position; and,
 FIG. 10 is a back view of the bicycle transit strap in an unbuckled position.
 The broken lines shown in the figures are for the purpose of illustrating environmental structure and form no part of the claimed design.

1 Claim, 10 Drawing Sheets



(56)

References Cited

U.S. PATENT DOCUMENTS

8,499,421	B2 *	8/2013	Espinosa	E05B 75/00 24/302
D712,555	S *	9/2014	Berg	D24/190
D713,606	S *	9/2014	Ranstead	D30/153
D728,448	S *	5/2015	Klinck	D12/400
D728,449	S *	5/2015	Klinck	D12/400
D778,805	S *	2/2017	Klinck	D12/400
D796,417	S *	9/2017	Klinck	D12/400
10,414,315	B2 *	9/2019	Strong	B60N 3/026
2005/0132622	A1 *	6/2005	Strong	G09F 3/08 40/318
2007/0062012	A1 *	3/2007	Caison	A44B 11/263 24/302
2008/0235914	A1 *	10/2008	Dolberg	B60N 3/026 16/110.1
2009/0152914	A1 *	6/2009	Salerno	A47C 7/62 297/217.1
2012/0018250	A1 *	1/2012	Smith	A63B 27/00 182/9
2014/0182084	A1 *	7/2014	Hill	B60P 7/0823 24/115 H
2018/0162254	A1 *	6/2018	Strong	B60N 3/026

* cited by examiner

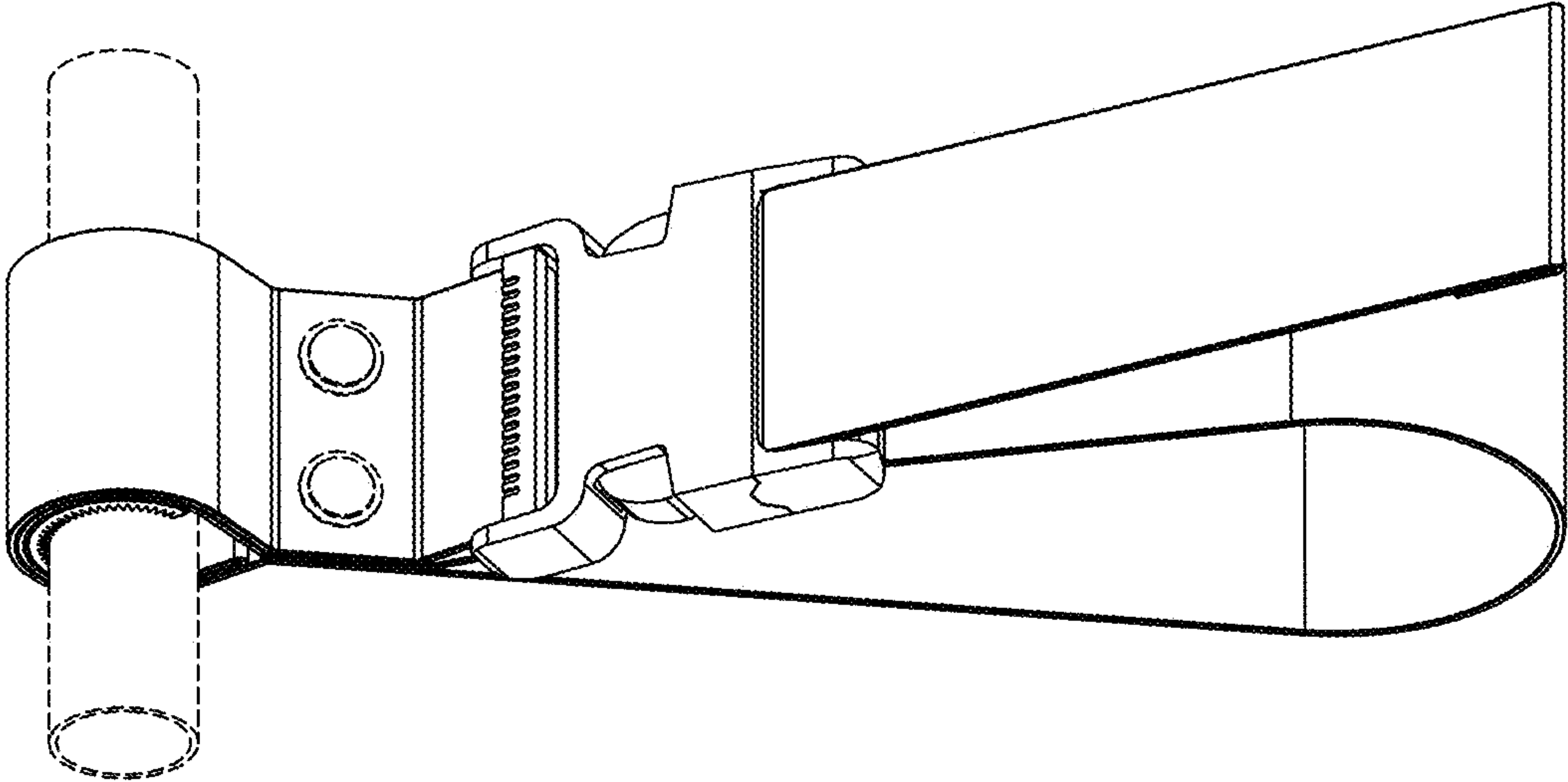


Figure 1

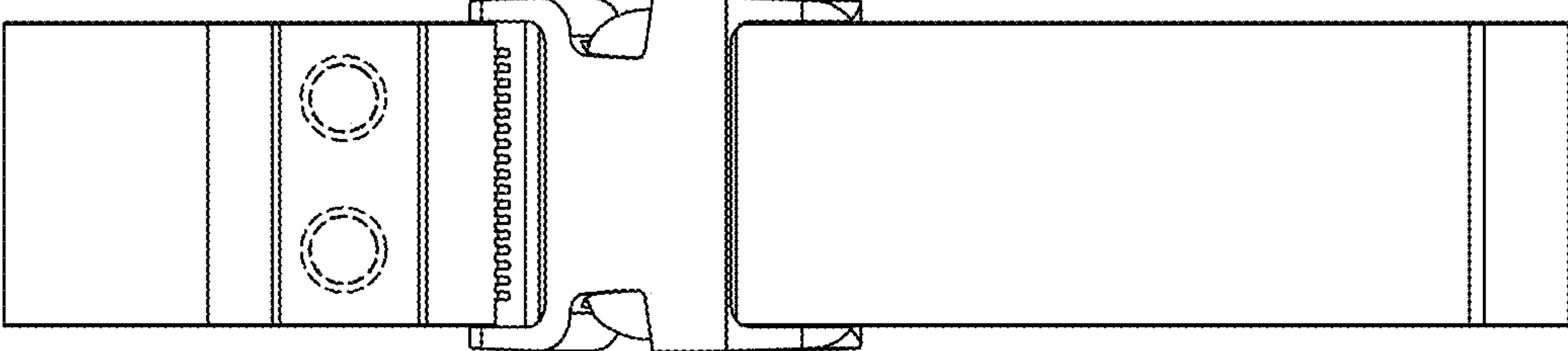


Figure 2

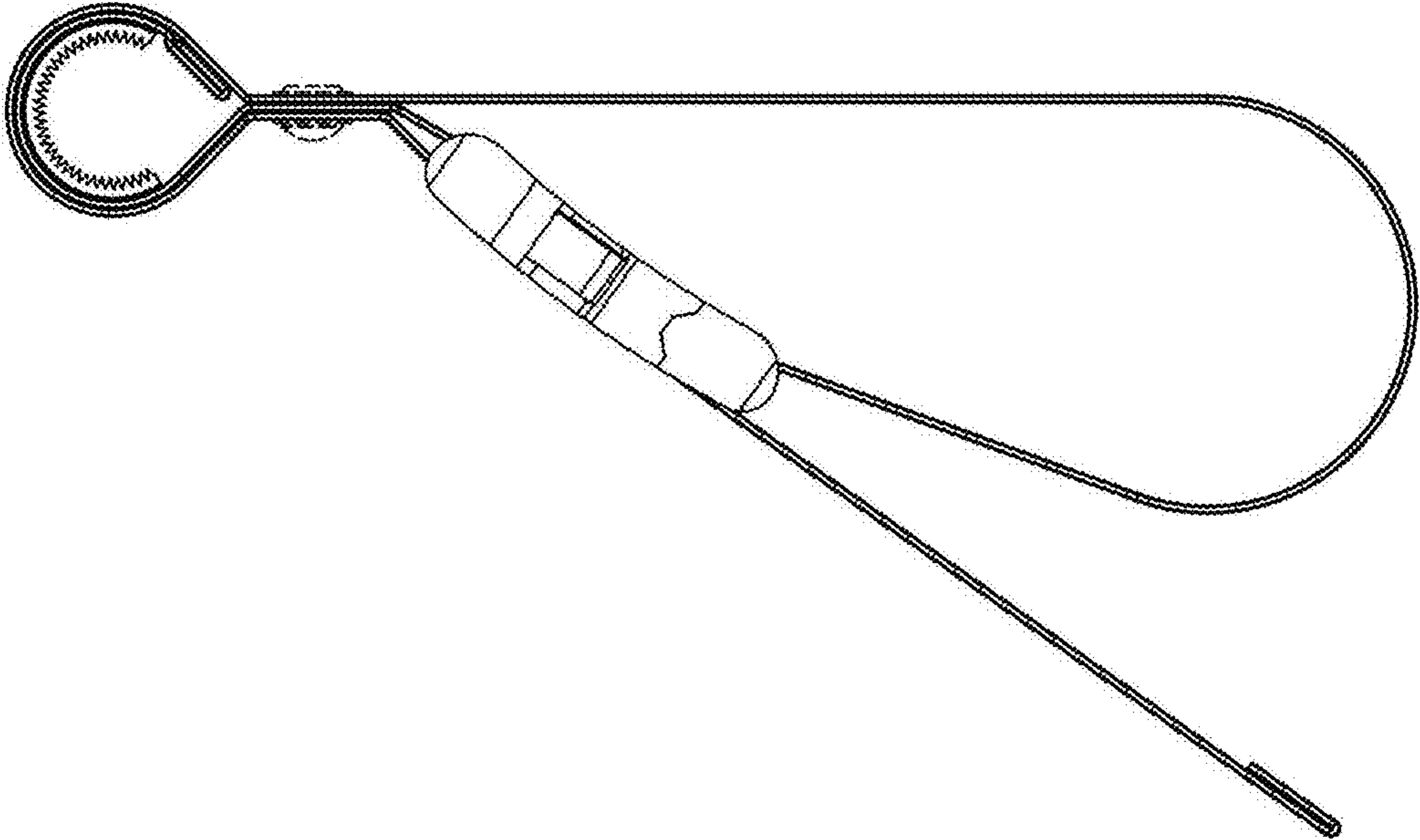


Figure 3

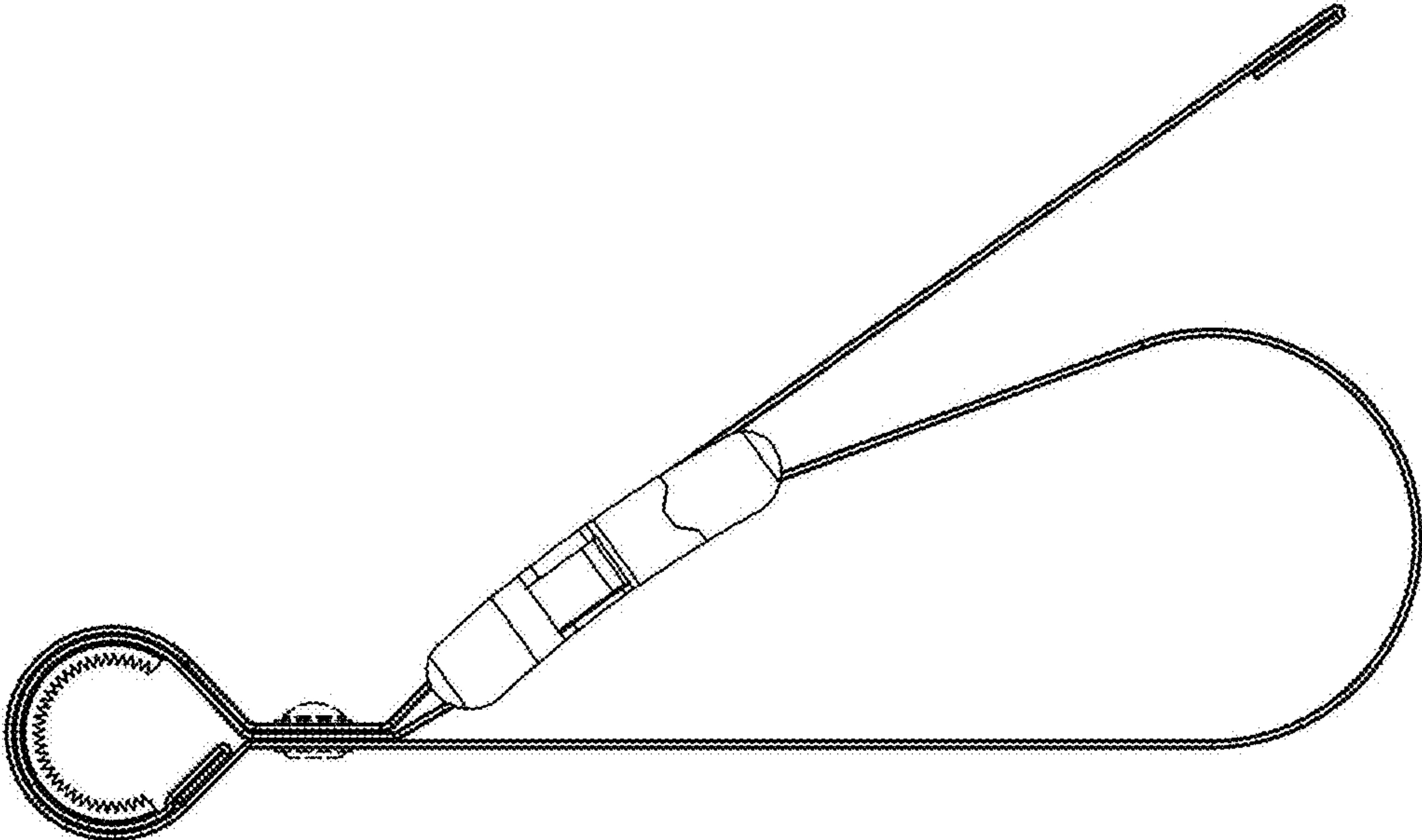


Figure 4

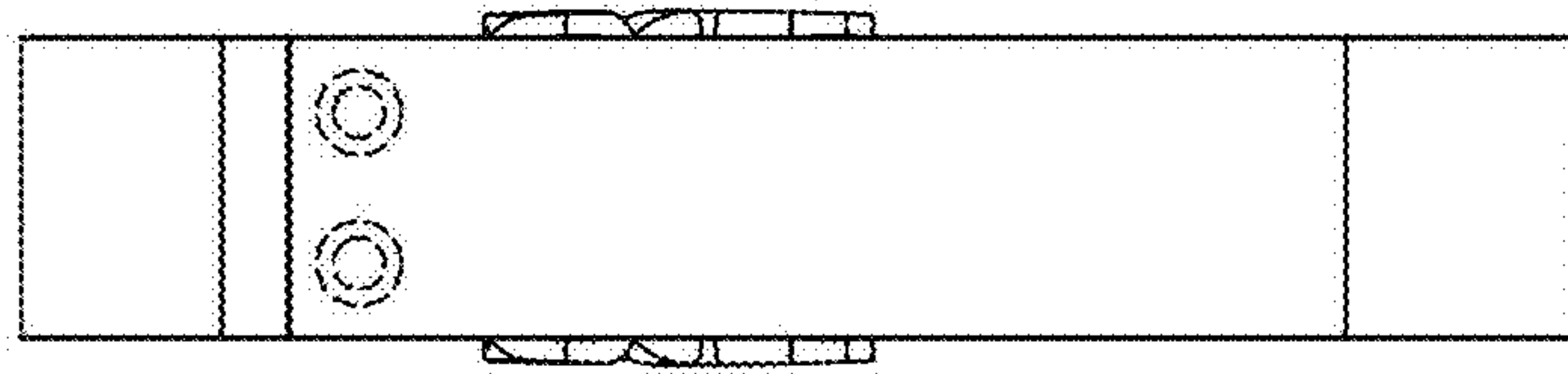


Figure 5

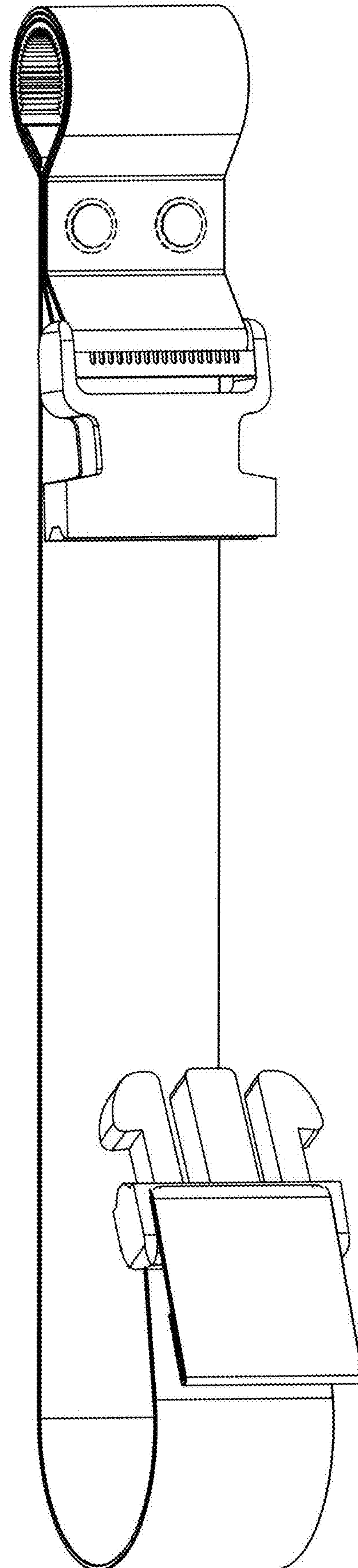


Figure 6

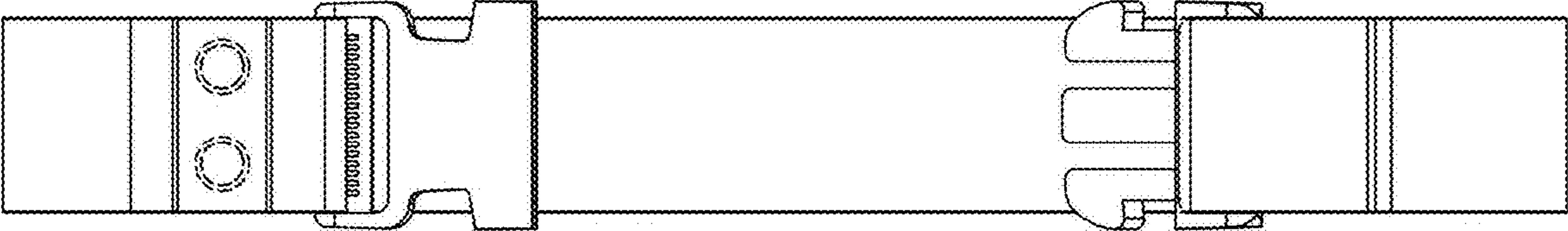


Figure 7



Figure 8



Figure 9

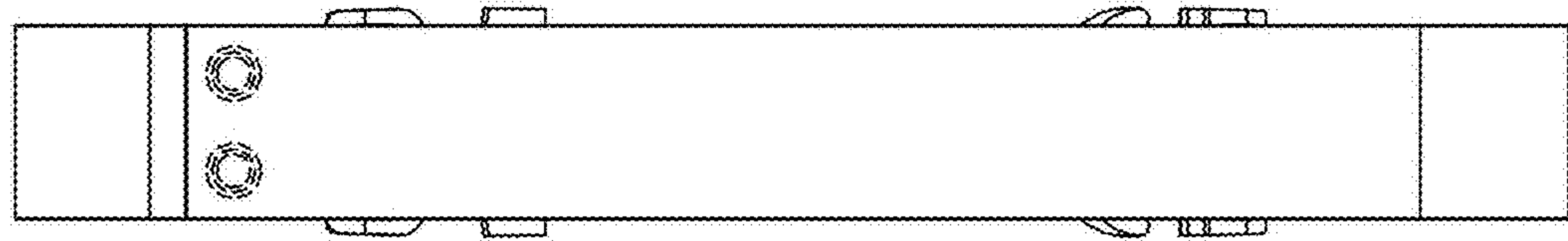


Figure 10