



US00D988202S

(12) **United States Design Patent** (10) **Patent No.:** **US D988,202 S**
Liu (45) **Date of Patent:** **** Jun. 6, 2023**

(54) **BICYCLE CLIP**
(71) Applicant: **SHENZHEN SEVERE COLD TECHNOLOGY CO., LTD.**, Shenzhen (CN)
(72) Inventor: **Fuhai Liu**, Guangdong (CN)
(73) Assignee: **SHENZHEN SEVERE COLD TECHNOLOGY CO., LTD.**, Shenzhen (CN)
(**) Term: **15 Years**
(21) Appl. No.: **29/739,011**
(22) Filed: **Jun. 22, 2020**

D652,779 S * 1/2012 Richter D12/407
D653,190 S * 1/2012 Richter D12/407
D685,687 S * 7/2013 Richter D12/114
D731,299 S * 6/2015 Sugiura D8/396
D736,073 S * 8/2015 Eriksson D8/394
D748,087 S * 1/2016 Lee D14/251
D765,549 S * 9/2016 Khodapanah D12/114
D772,219 S * 11/2016 Daniels D12/407
D772,220 S * 11/2016 Daniels D12/407
D780,743 S * 3/2017 Chun D14/447
D783,014 S * 4/2017 Chun D14/253
D791,058 S * 7/2017 Laatz D8/396
D803,757 S * 11/2017 Giordano D12/415
D822,091 S * 7/2018 Zheng D16/242
D838,214 S * 1/2019 Jang D12/114
D838,266 S * 1/2019 Ho D12/114
D852,681 S * 7/2019 Peters D12/114
D856,855 S * 8/2019 Steele D12/114

(Continued)

(30) **Foreign Application Priority Data**

Apr. 28, 2020 (CN) 202030183000.6

(51) **LOC (14) Cl.** **12-11**

(52) **U.S. Cl.**
USPC **D12/114**

(58) **Field of Classification Search**
USPC D12/114, 117, 111, 178, 223, 400, 406,
D12/407, 415; D14/251-253, 447, 452;
D8/396, 349
CPC B62J 11/00; B62J 50/225
See application file for complete search history.

(56) **References Cited**

U.S. PATENT DOCUMENTS

D318,607 S * 7/1991 Reid D8/363
D321,334 S * 11/1991 Greenlaw D12/114
D361,768 S * 8/1995 Chen D14/251
D396,835 S * 8/1998 Roddy D12/178
D438,783 S * 3/2001 Elliott F16L 23/10
D8/396
D580,262 S * 11/2008 Eason F16B 7/0493
D17/22

Primary Examiner — Michelle E. Wilson

Assistant Examiner — Clese Moore, Jr.

(74) *Attorney, Agent, or Firm* — Zhigang Ma

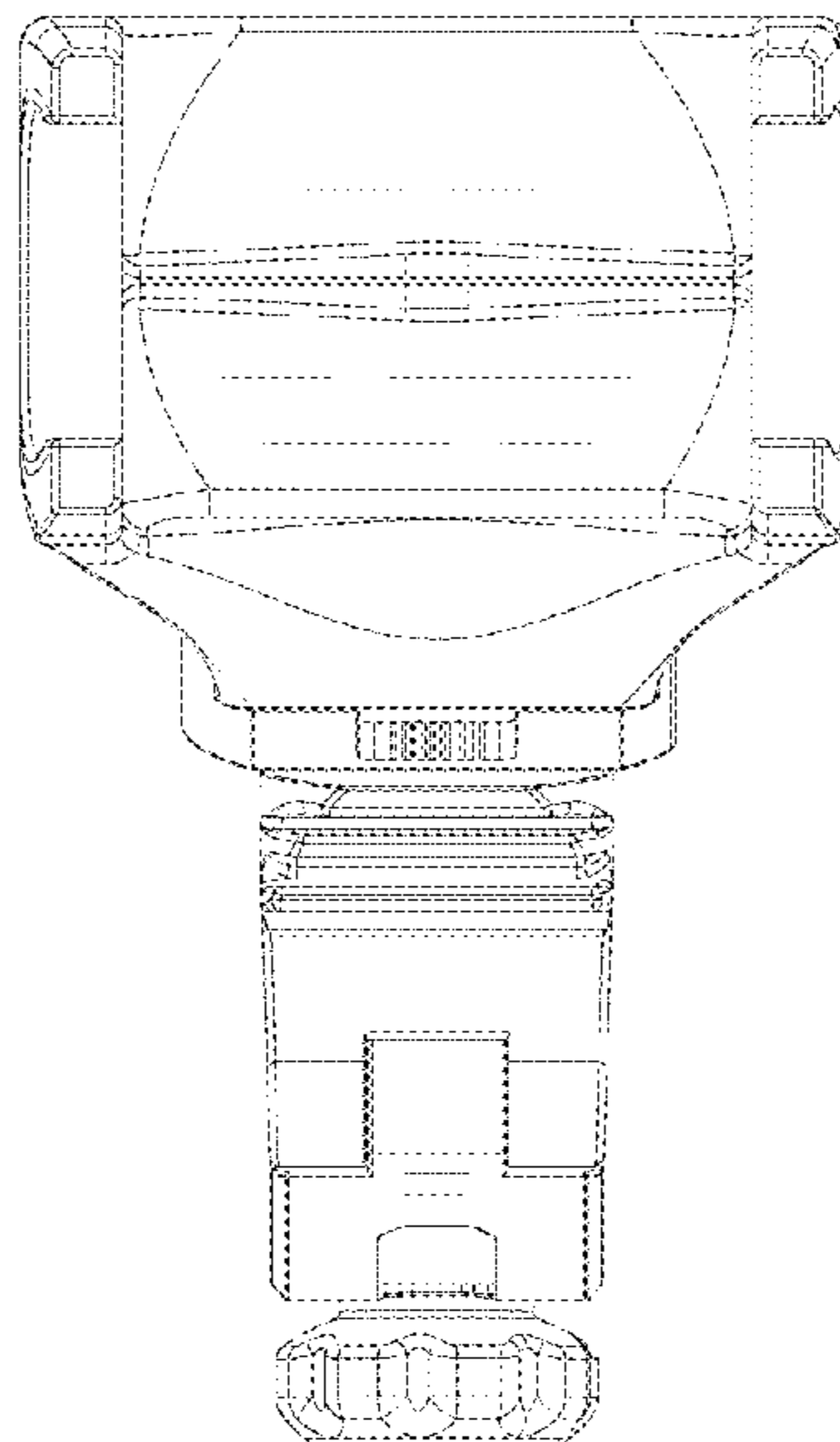
(57) **CLAIM**

The ornamental design for a bicycle clip, as shown and described.

DESCRIPTION

FIG. 1 is a Front view of a bicycle clip showing my new design;
FIG. 2 is a Rear view thereof;
FIG. 3 is a Left side view thereof;
FIG. 4 is a Right side view thereof;
FIG. 5 is a Top plan view thereof;
FIG. 6 is a Bottom plan view thereof;
FIG. 7 is a rear perspective view thereof;
FIG. 8 is a bottom, rear perspective view thereof;
FIG. 9 is a front perspective view thereof; and,
FIG. 10 is a top perspective view thereof.

1 Claim, 10 Drawing Sheets



(56)

References Cited

U.S. PATENT DOCUMENTS

D860,915 S * 9/2019 Tang D12/407
D873,721 S * 1/2020 Nagano D12/114

* cited by examiner

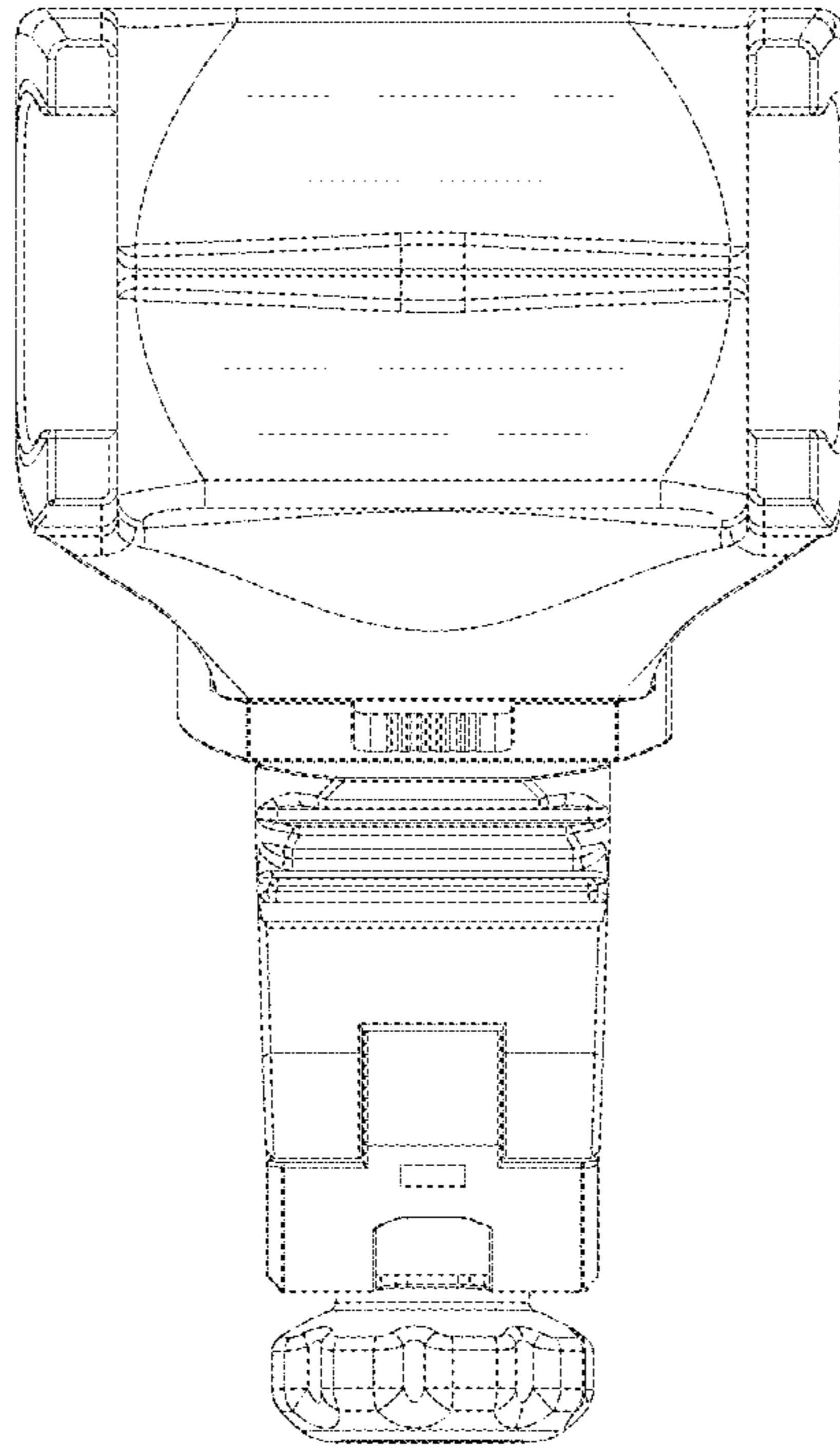


FIG. 1

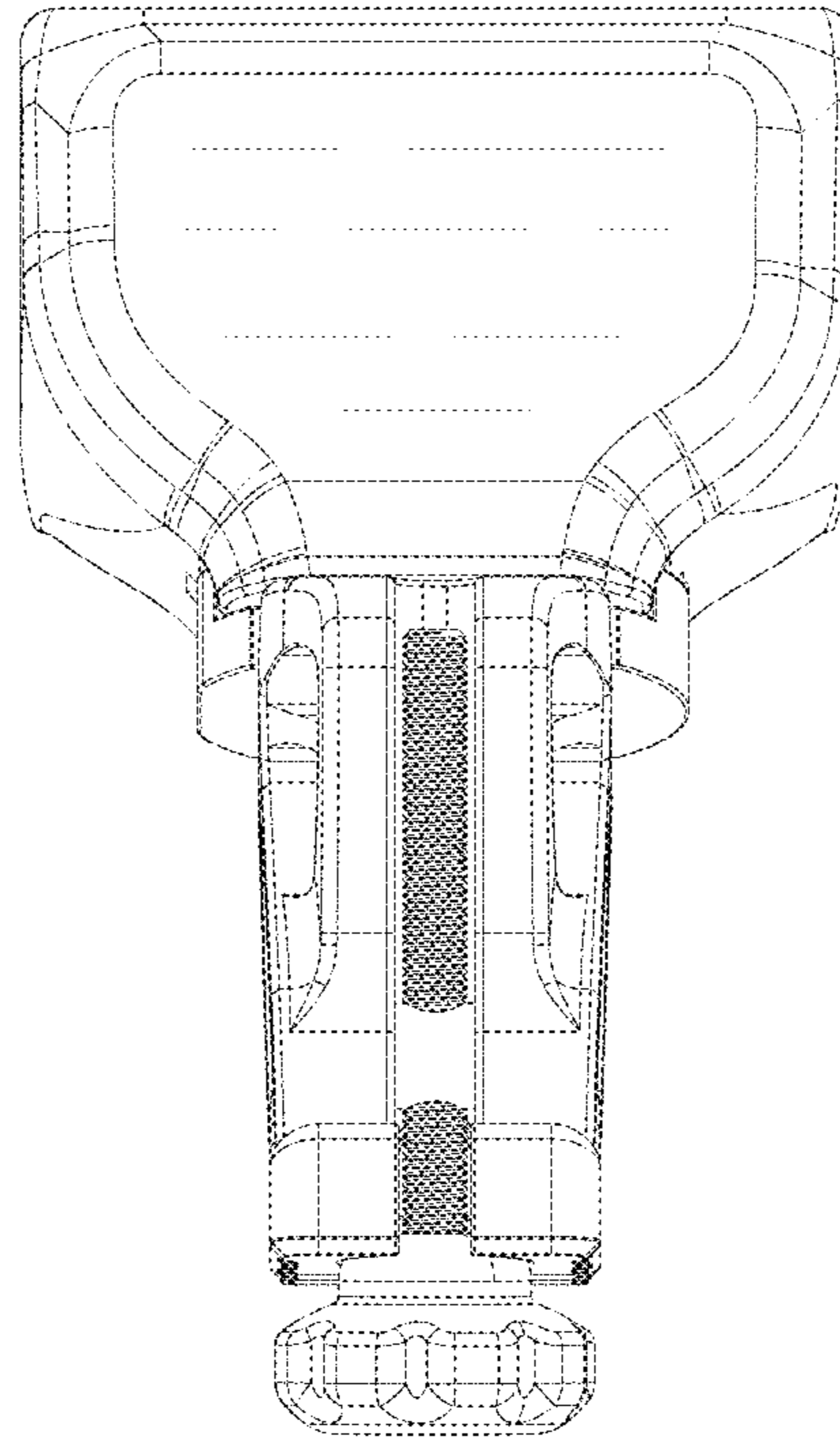


FIG. 2

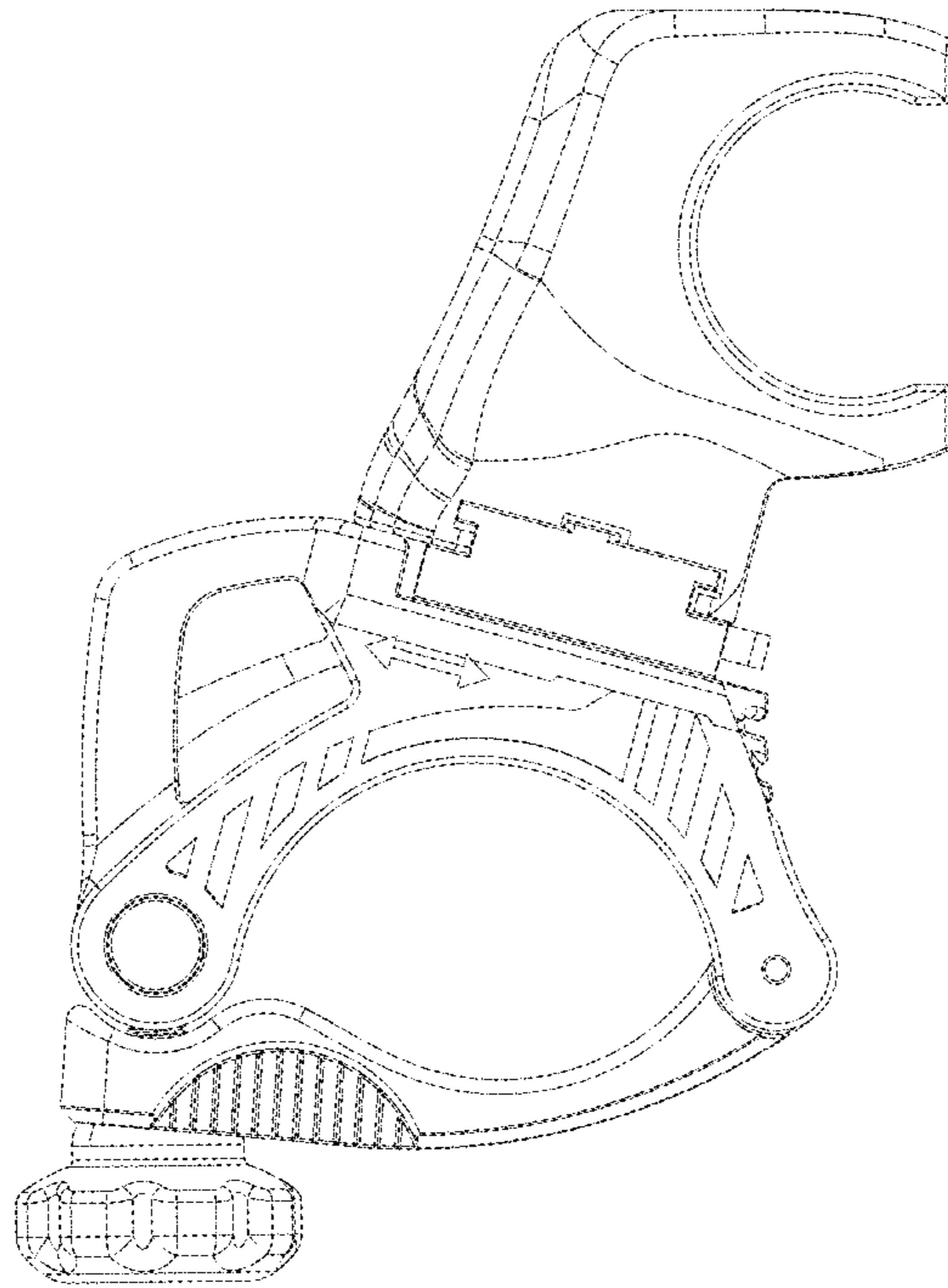


FIG. 3

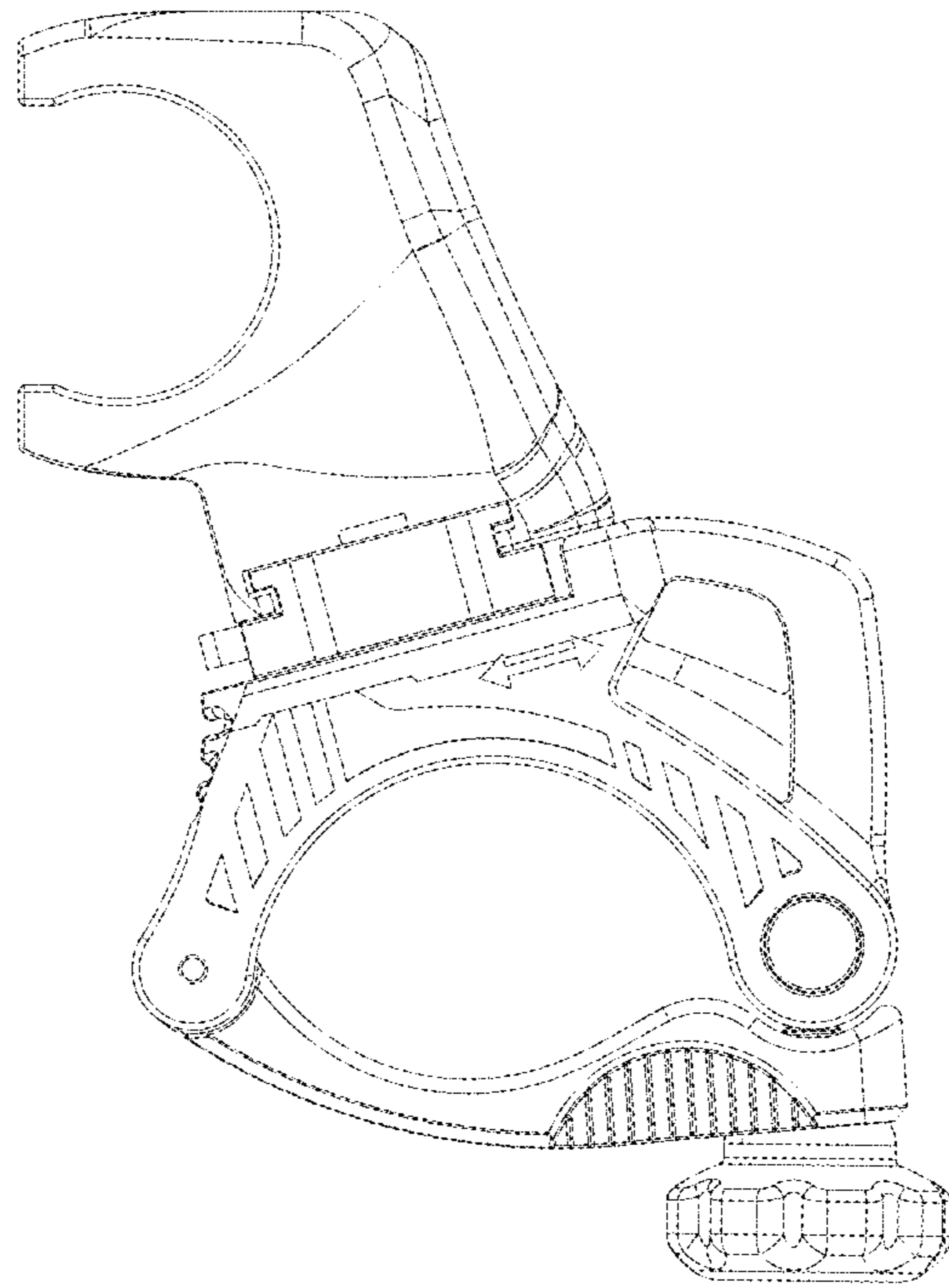


FIG. 4

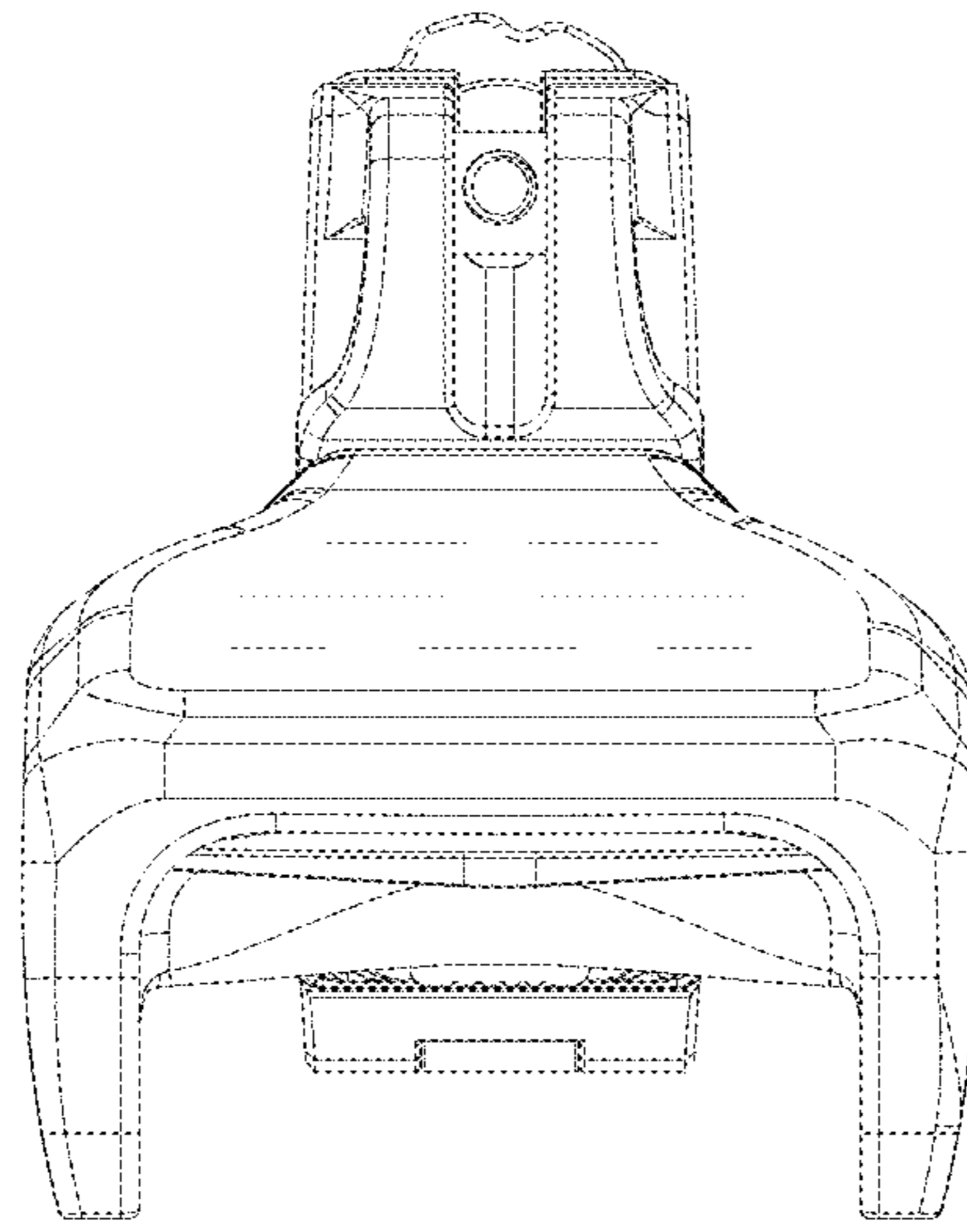


FIG. 5

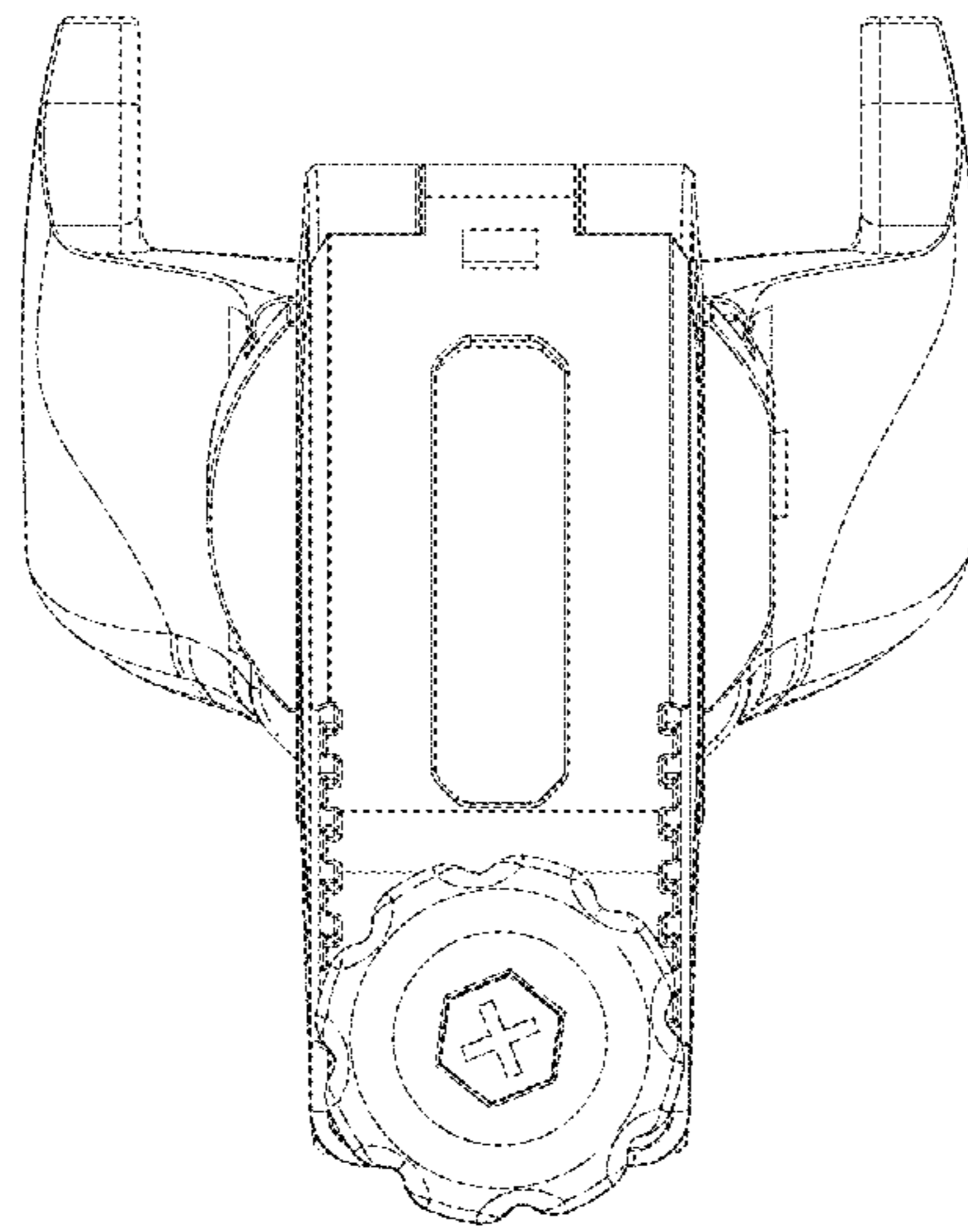


FIG. 6

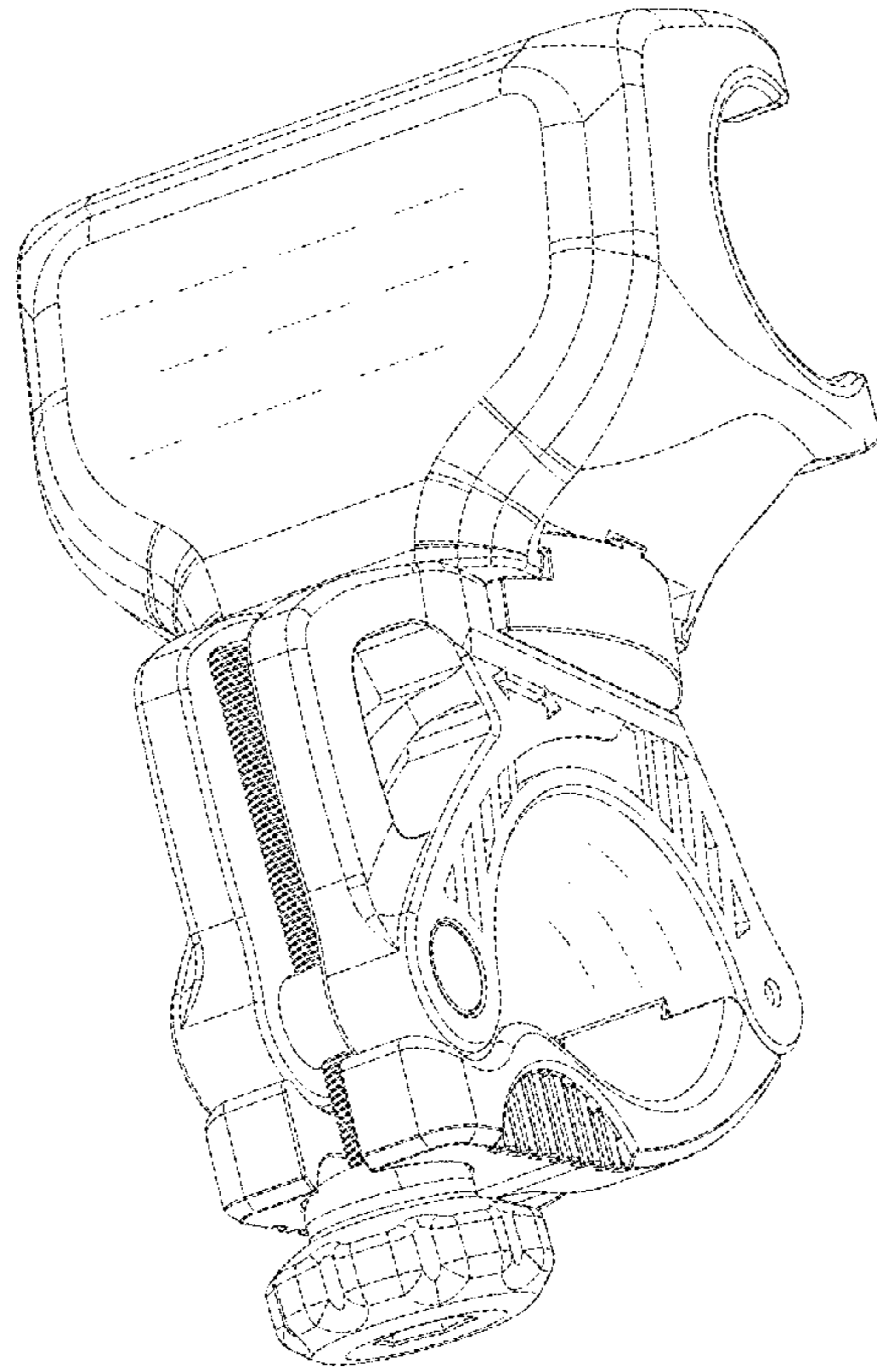


FIG. 7

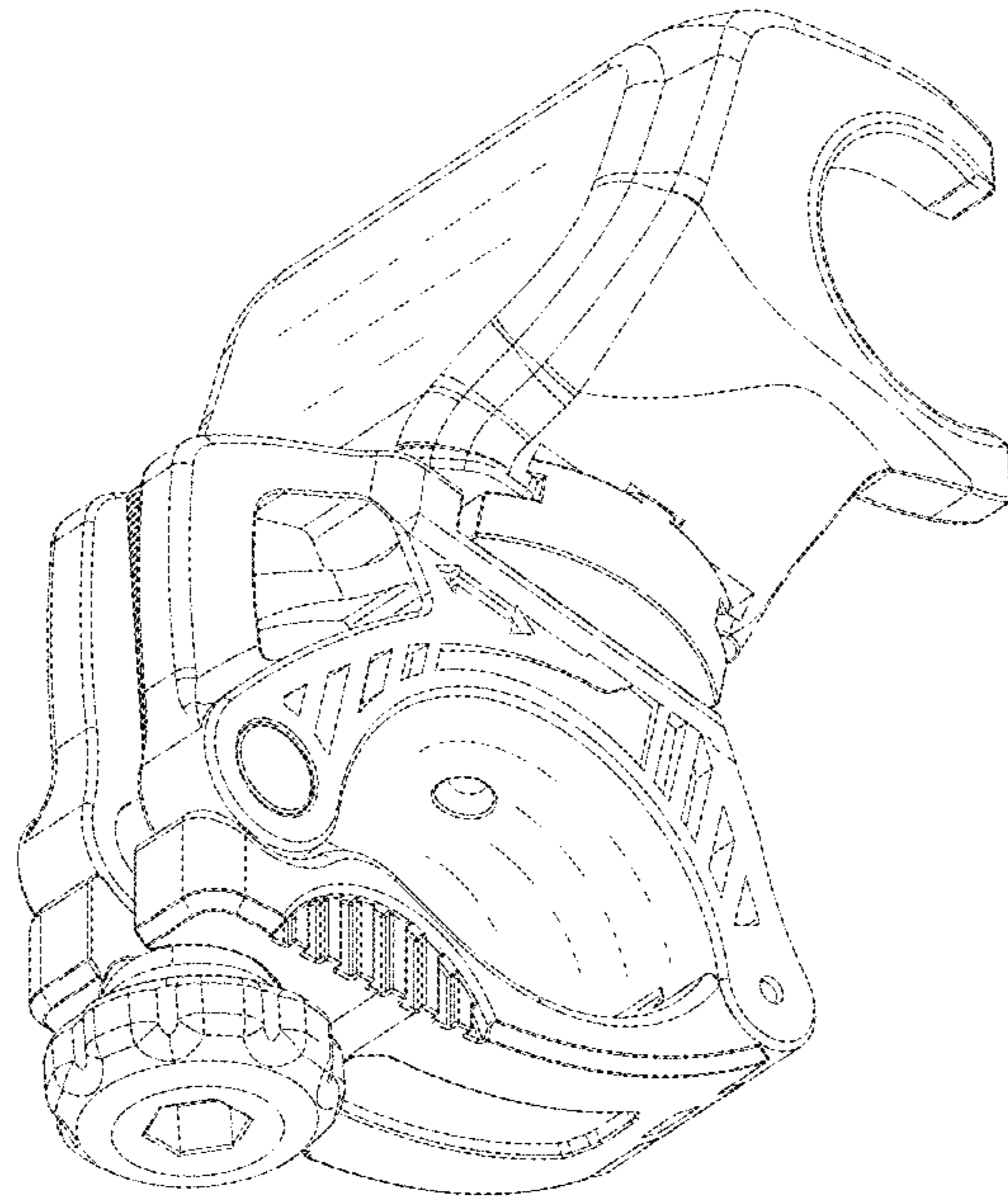


FIG. 8

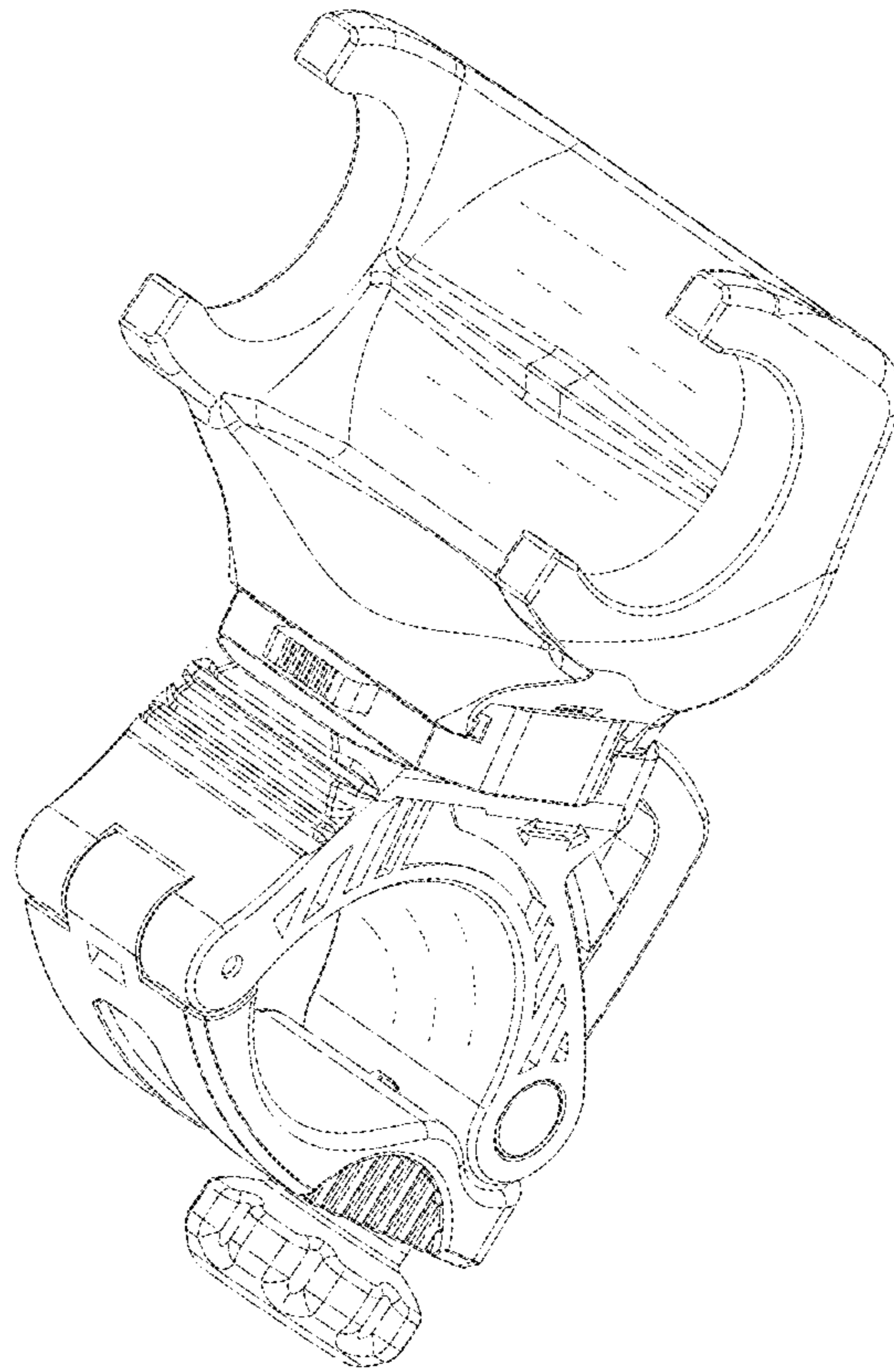


FIG. 9

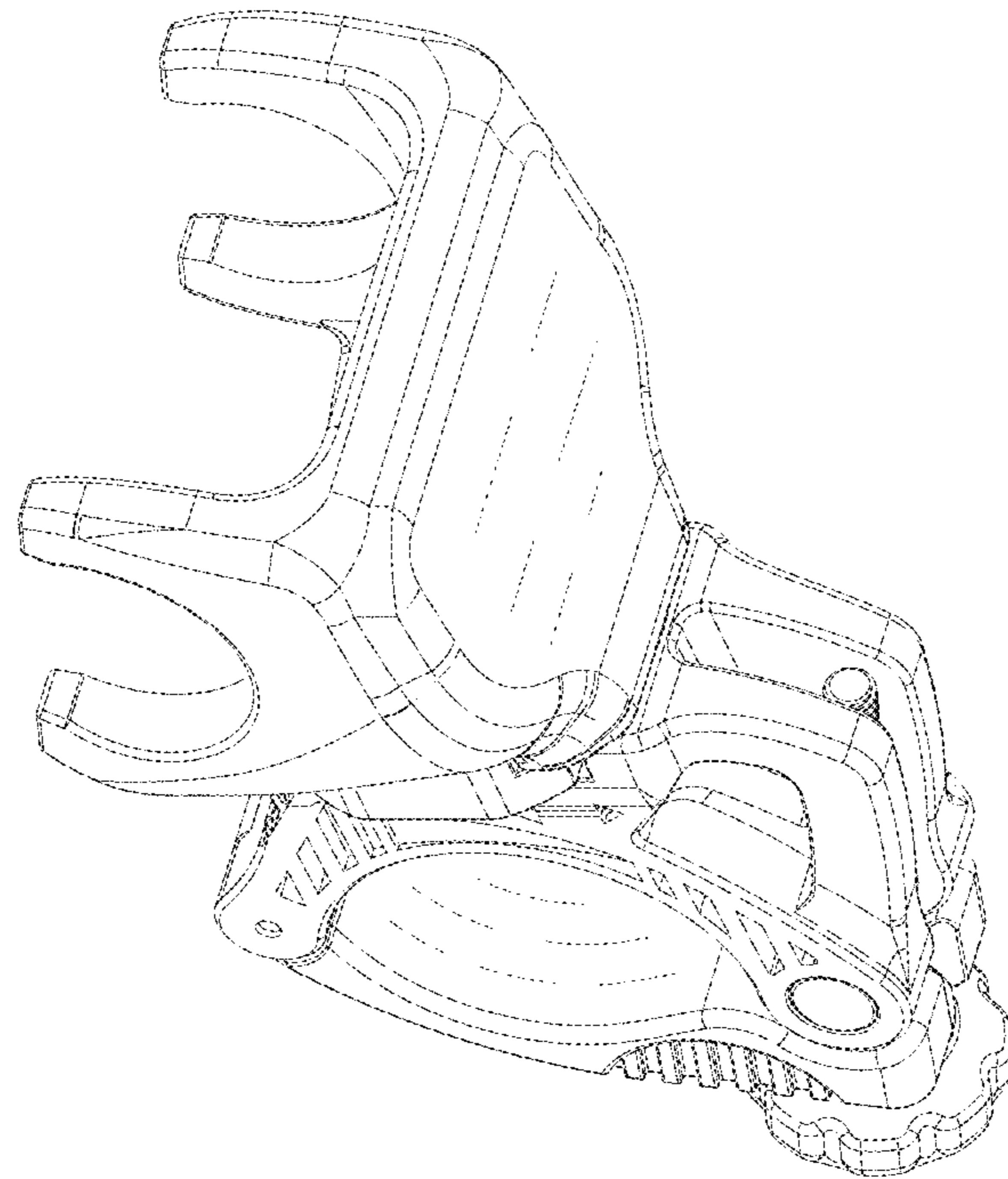


FIG. 10