



US00D988201S

(12) **United States Design Patent** (10) **Patent No.:** **US D988,201 S**  
**Chan** (45) **Date of Patent:** **\*\* Jun. 6, 2023**

(54) **ELECTRIC BICYCLE**  
(71) Applicant: **Foster Assets Corporation**, Tortola (VG)  
(72) Inventor: **Yet Chan**, Quarry Bay (HK)  
(73) Assignee: **Foster Assets Corporation**, Tortola (VG)

D847,033 S \* 4/2019 Yan ..... D12/111  
D850,982 S \* 6/2019 Zhu ..... D12/111  
D917,349 S \* 4/2021 Fan ..... D12/111  
D924,102 S \* 7/2021 Avery ..... D12/111  
D933,537 S \* 10/2021 Zhang ..... D12/111  
D933,538 S \* 10/2021 Chen ..... D12/111  
D950,423 S \* 5/2022 Chen ..... D12/111  
D965,477 S \* 10/2022 Zhang ..... D12/111  
D972,459 S \* 12/2022 Wen ..... D12/111  
2022/0332389 A1 \* 10/2022 Braedt ..... B62M 6/55  
2023/0002005 A1 \* 1/2023 Duggan ..... B62M 9/06

(\*\*) Term: **15 Years**

**OTHER PUBLICATIONS**

(21) Appl. No.: **29/808,195**  
(22) Filed: **Sep. 17, 2021**  
(51) **LOC (14) Cl.** ..... **12-11**  
(52) **U.S. Cl.**  
USPC ..... **D12/111**  
(58) **Field of Classification Search**  
USPC ..... D12/111, 117; D21/412, 414, 419,  
D21/423-428, 431-435  
CPC ... B62K 3/00; B62K 3/02; B62K 3/06; B62K  
11/00; B62K 11/02; B62K 11/04; B62K  
11/10; B62K 17/00; B62K 19/00; B62K  
2202/00  
See application file for complete search history.

Arif. "Best Electric Bikes on The Market; Moto Parilla Carbon SUV E-Bikes." Alesha Tech., May 21, 2022 [online], [retrieved on Jan. 13, 2023]. Retrieved from the Internet <URL: <https://www.aleshatech.com/best-electric-bikes-on-the-market/>>.\*

(Continued)

*Primary Examiner* — Darlington Ly  
(74) *Attorney, Agent, or Firm* — Warner Norcross + Judd LLP

(57) **CLAIM**

The ornamental design for an electric bicycle, as shown and described.

**DESCRIPTION**

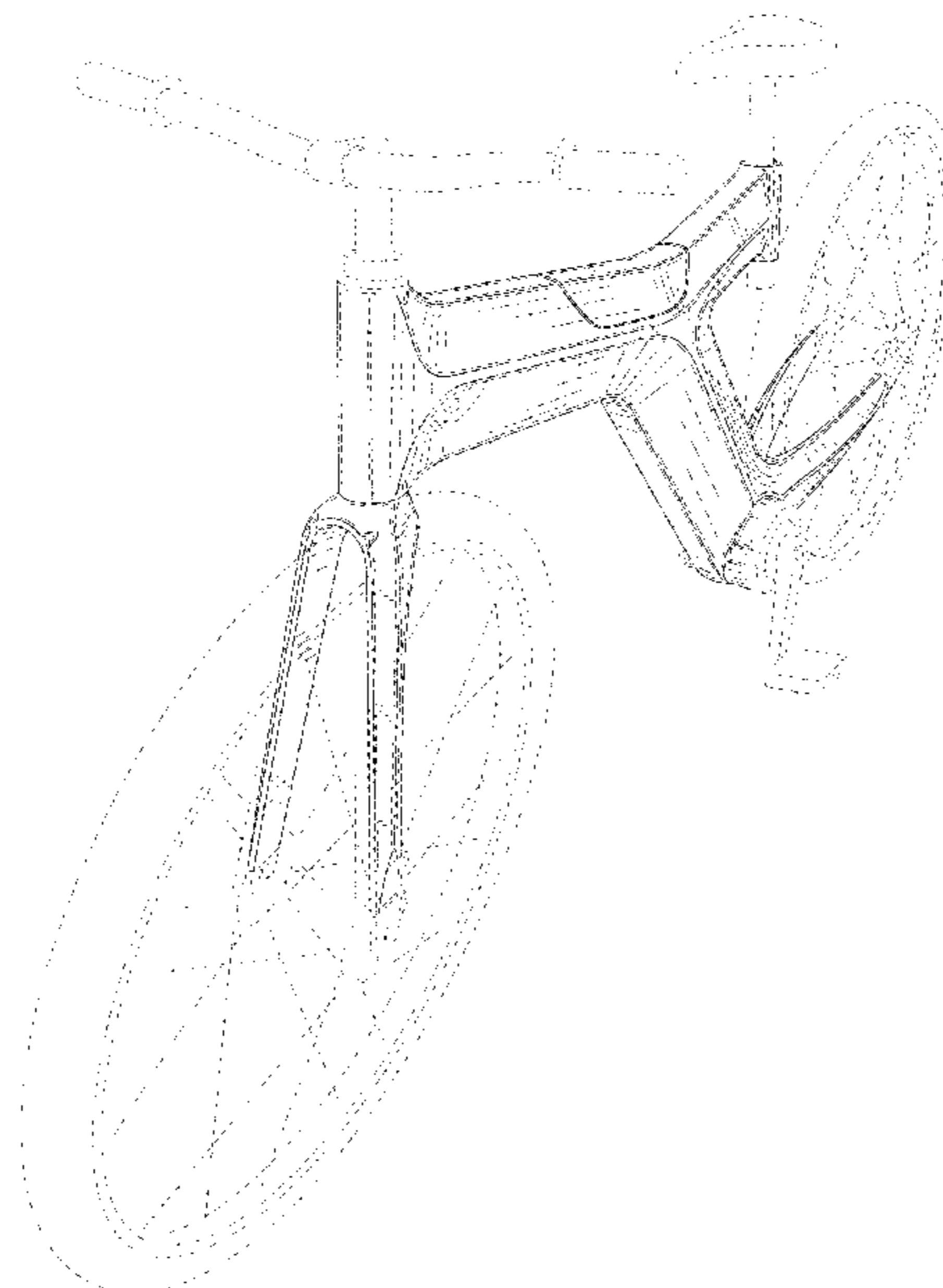
(56) **References Cited**

**U.S. PATENT DOCUMENTS**

D537,758 S \* 3/2007 Grepper ..... D21/432  
D670,208 S \* 11/2012 Frenzel ..... D12/111  
D689,409 S \* 9/2013 Yap ..... D12/111  
D694,156 S \* 11/2013 Taipalus ..... D12/111  
RE45,296 E \* 12/2014 Kyu ..... D12/111  
D797,609 S \* 9/2017 Gonzalez-Gancedo Carrillo-  
Albornoz ..... D12/111  
D828,231 S \* 9/2018 Yan ..... D12/111  
D833,333 S \* 11/2018 Yu ..... D12/111  
D845,178 S \* 4/2019 Yan ..... D12/111  
D847,032 S \* 4/2019 Yan ..... D12/111

FIG. 1 is a front and left side perspective view of an electric bicycle embodying my new design;  
FIG. 2 is a left side elevation view thereof;  
FIG. 3 is a right side elevation view thereof;  
FIG. 4 is a bottom plan view thereof;  
FIG. 5 is a top plan view thereof;  
FIG. 6 is a front elevation view thereof; and,  
FIG. 7 is a rear elevation view thereof.  
The broken lines in the drawings illustrate portions of the electric bicycle that do not form part of the claimed design.

**1 Claim, 7 Drawing Sheets**



(56)

**References Cited**

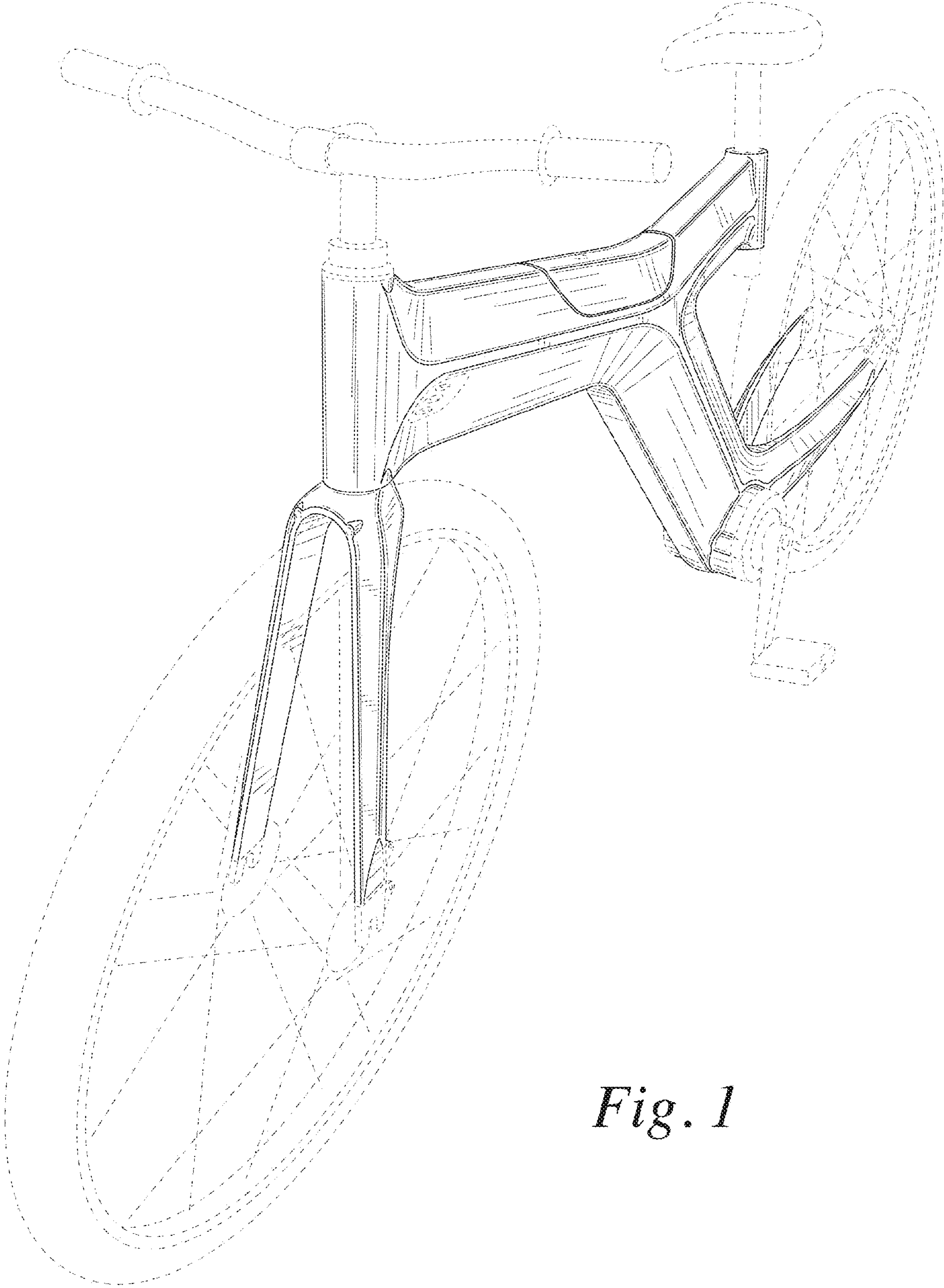
OTHER PUBLICATIONS

“Sobowo A8 Electric Bike (e-bike).” Politusic., May 28, 2014 [online], [retrieved on Jan. 13, 2023]. Retrieved from the Internet <URL: <https://www.politusic.com/everything-else/electric-scooter-ebike-motorcycle/attachment/sobowo-electric-bike-a8/>>.\*

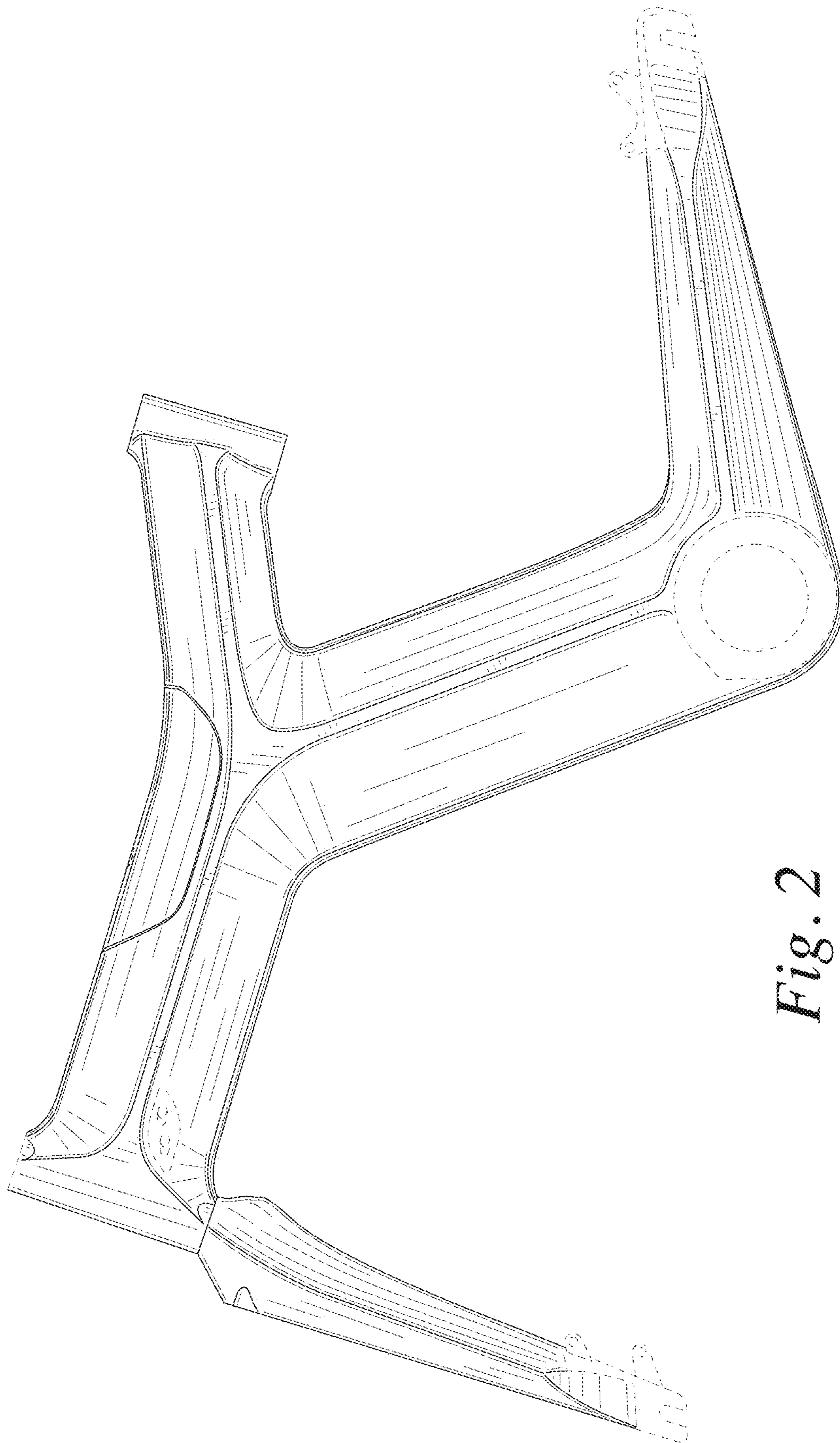
“E-Bike.” Leons Digital., Dec. 22, 2020 [online], [retrieved on Jan. 13, 2023]. Retrieved from the Internet <URL: <https://leonsdigital.com/Project/e-bike/>>.\*

Dominic Peralta. “Carbon 0 pedal electric bike.” Coroflot., Dec. 19, 2010 [online], [retrieved on Jan. 13, 2023]. Retrieved from the Internet <URL: <https://www.coroflot.com/djperalta/Carbon-0-pedal-electric-bike/>>.\*

\* cited by examiner



*Fig. 1*



*Fig. 2*



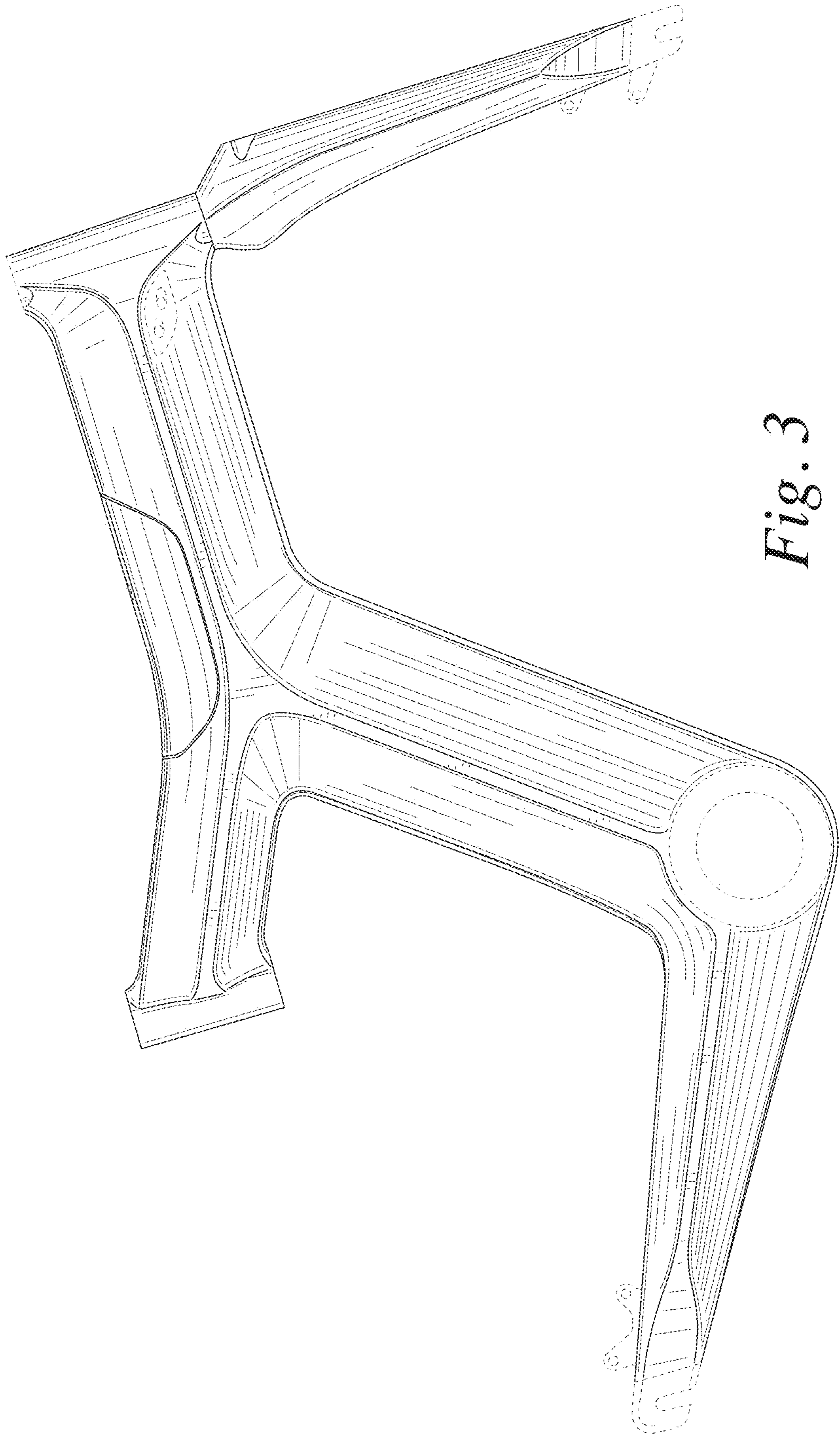
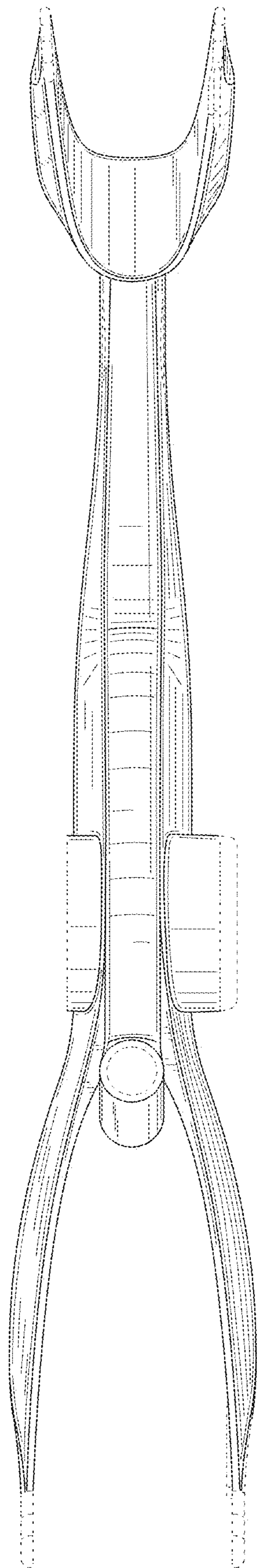
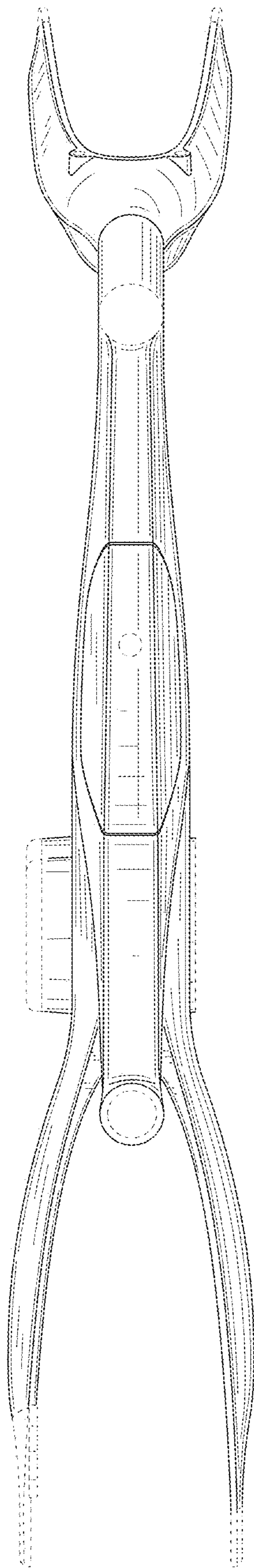


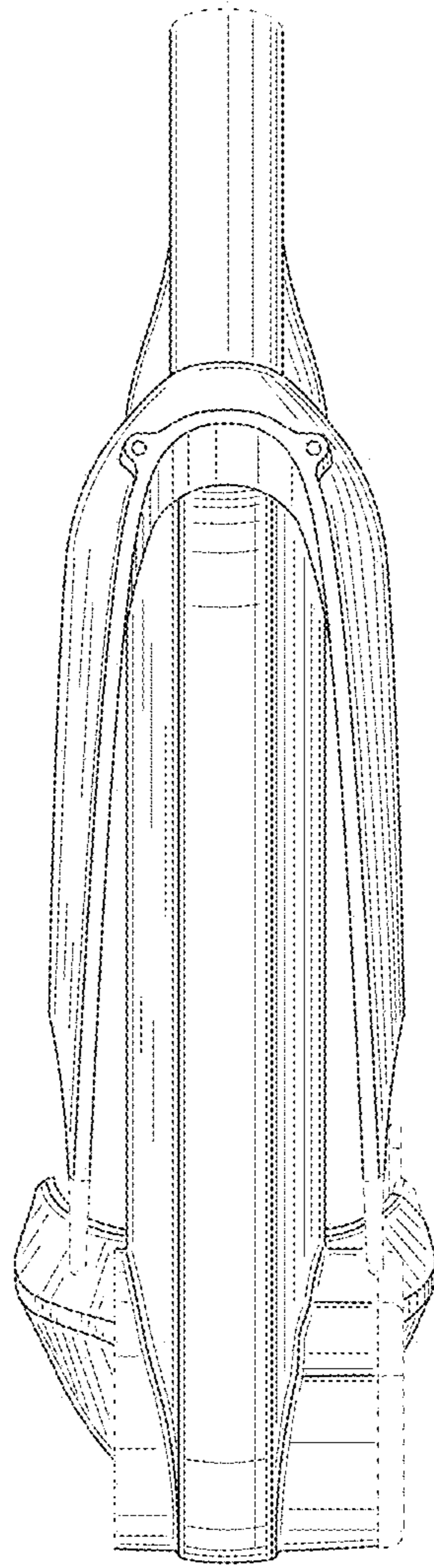
Fig. 3



*Fig. 4*

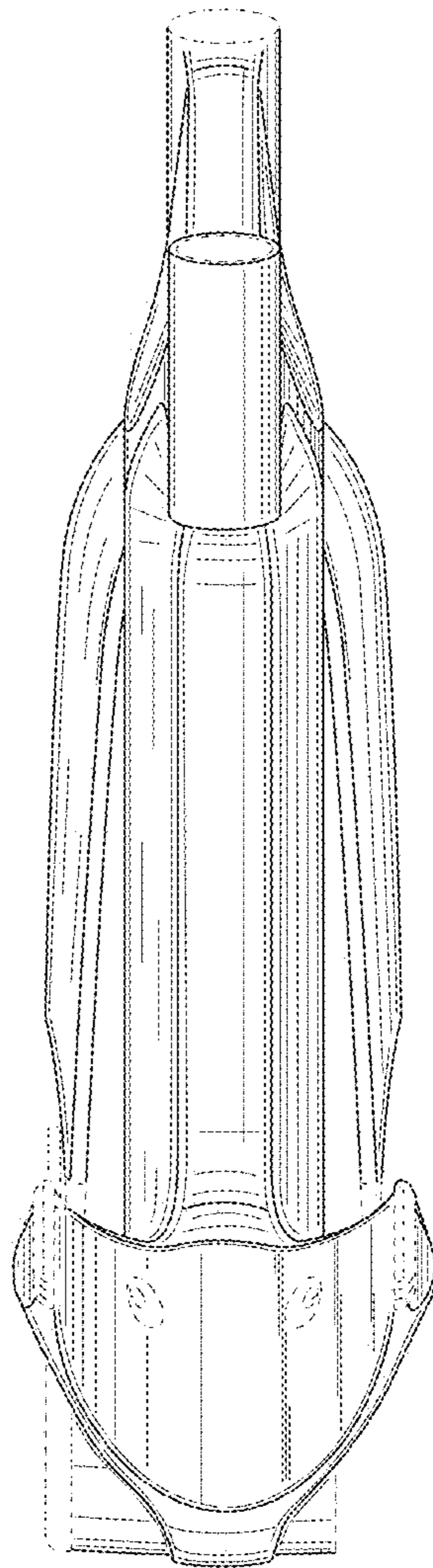


*Fig. 5*



*Fig. 6*





*Fig. 7*