



US00D988200S

(12) **United States Design Patent**
Hu et al.

(10) **Patent No.:** **US D988,200 S**
(45) **Date of Patent:** **** Jun. 6, 2023**

(54) **ELECTRIC BICYCLE**

(71) Applicant: **Beijing Niu Technology Co., Ltd.**,
Beijing (CN)

(72) Inventors: **Yilin Hu**, Beijing (CN); **Chuankai Liu**,
Beijing (CN); **Kai Yang**, Beijing (CN);
Xuewu Zhang, Beijing (CN); **Yunqi**
Li, Beijing (CN)

(73) Assignee: **Beijing Niu Technology Co., Ltd.**,
Beijing (CN)

(**) Term: **15 Years**

(21) Appl. No.: **29/807,197**

(22) Filed: **Sep. 9, 2021**

(30) **Foreign Application Priority Data**

Mar. 9, 2021 (CN) 202130127453.1

(51) **LOC (14) Cl.** **12-11**

(52) **U.S. Cl.**
USPC **D12/111; D12/110**

(58) **Field of Classification Search**
USPC D12/110, 111, 117; D21/412, 414, 419,
D21/423-428, 431-435
CPC ... B62K 3/00; B62K 3/02; B62K 3/06; B62K
11/00; B62K 11/02; B62K 11/04; B62K
11/10; B62K 17/00; B62K 19/00; B62K
2202/00
See application file for complete search history.

(56) **References Cited**

U.S. PATENT DOCUMENTS

4,715,465 A * 12/1987 Takahashi B62J 17/10
180/219
D932,377 S * 10/2021 Hu D12/111
D932,378 S * 10/2021 Hu D12/111
D934,121 S * 10/2021 Hu D12/111
D934,122 S * 10/2021 Hu D12/111

D934,123 S * 10/2021 Hu D12/111
D937,136 S * 11/2021 Hu D12/110
D937,713 S * 12/2021 Hu D12/111
D938,312 S * 12/2021 Hu D12/111
D947,074 S * 3/2022 Hu D12/111
D947,723 S * 4/2022 Hu D12/111
D948,383 S * 4/2022 Hu D12/111
D949,056 S * 4/2022 Hu D12/111
D949,058 S * 4/2022 Hu D12/111

(Continued)

OTHER PUBLICATIONS

Micah Toll. "NIU reveals new 44 MPH electric scooters and a 28 MPH electric bicycle." Electrek., Nov. 6, 2019 [online], [retrieved on Jan. 12, 2023]. Retrieved from the Internet <URL: https://electrek.co/2019/11/06/niu-3-new-electric-scooters-and-a-new-electric-bicycle/>.*

(Continued)

Primary Examiner — Darlington Ly

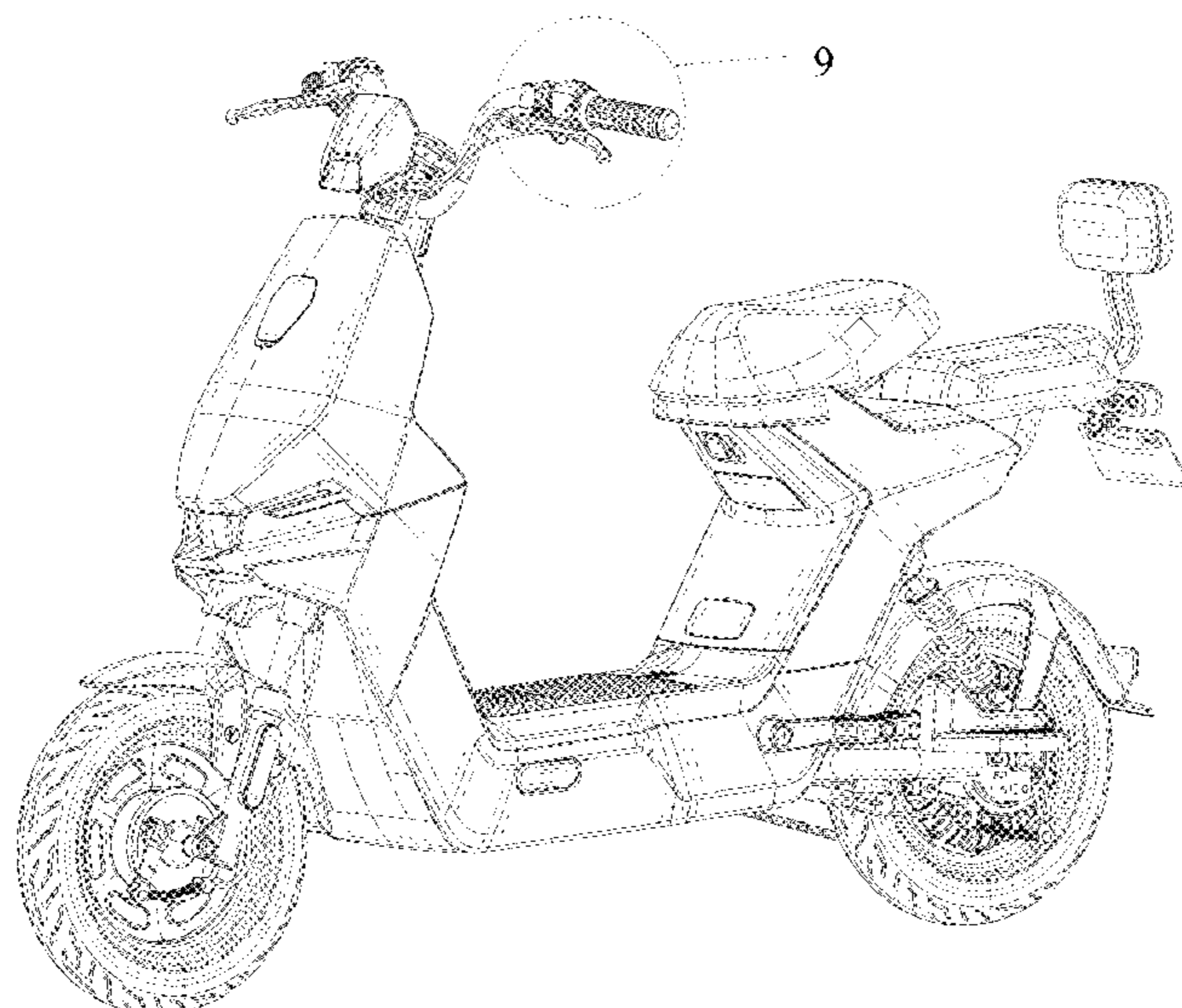
(57) **CLAIM**

The ornamental design for an electric bicycle, as shown and described.

DESCRIPTION

FIG. 1 is a perspective view of an electric bicycle showing my new design;
FIG. 2 is another perspective view thereof;
FIG. 3 is a front elevation view thereof;
FIG. 4 is a rear elevation view thereof;
FIG. 5 is an enlarged left elevation view thereof;
FIG. 6 is an enlarged right elevation view thereof;
FIG. 7 is a top plan view thereof;
FIG. 8 is a bottom plan view thereof; and,
FIG. 9 is an enlarged view of the selected portion 9 in FIG. 1.
The broken lines shown in the figures depict portions of the electric bicycle that form no part of the claimed design.

1 Claim, 9 Drawing Sheets



(56)

References Cited

U.S. PATENT DOCUMENTS

D949,059	S *	4/2022	Hu	D12/111
D949,060	S *	4/2022	Hu	D12/111
D951,145	S *	5/2022	Hu	D12/111
2007/0007063	A1 *	1/2007	Okamoto	B62M 6/90 180/206.4
2007/0007064	A1 *	1/2007	Okamoto	B62M 6/60 180/220
2007/0017723	A1 *	1/2007	Terada	B62M 6/60 180/206.1
2018/0111488	A1 *	4/2018	David	B62J 50/22

OTHER PUBLICATIONS

Chris Randall. "NIU joins e-bike market, presents new electric scooters." Electrive., Nov. 10, 2019 [online], [retrieved on Jan. 12, 2023]. Retrieved from the Internet <URL: <https://www.electrive.com/2019/11/10/niu-joins-ebike-market-presents-new-electric-scooters/>>.*

"UQI GT (Standard Range) 31AH." Scooter Stop., Jan. 5, 2022 [online], [retrieved on 12]. Retrieved from the Internet <URL: <https://scooter-stop.com/product/niu-uqi-gt-scooter/>>.*

"Willkommen im Shop von Krain Elektroroller." Krain Elektroroller., Feb. 1, 2022 [online], [retrieved on 12]. Retrieved from the Internet <URL: <https://www.elektoroller-krain.de/shop/SFM-Saxxx-Prima-E-p251025387>>.*

* cited by examiner

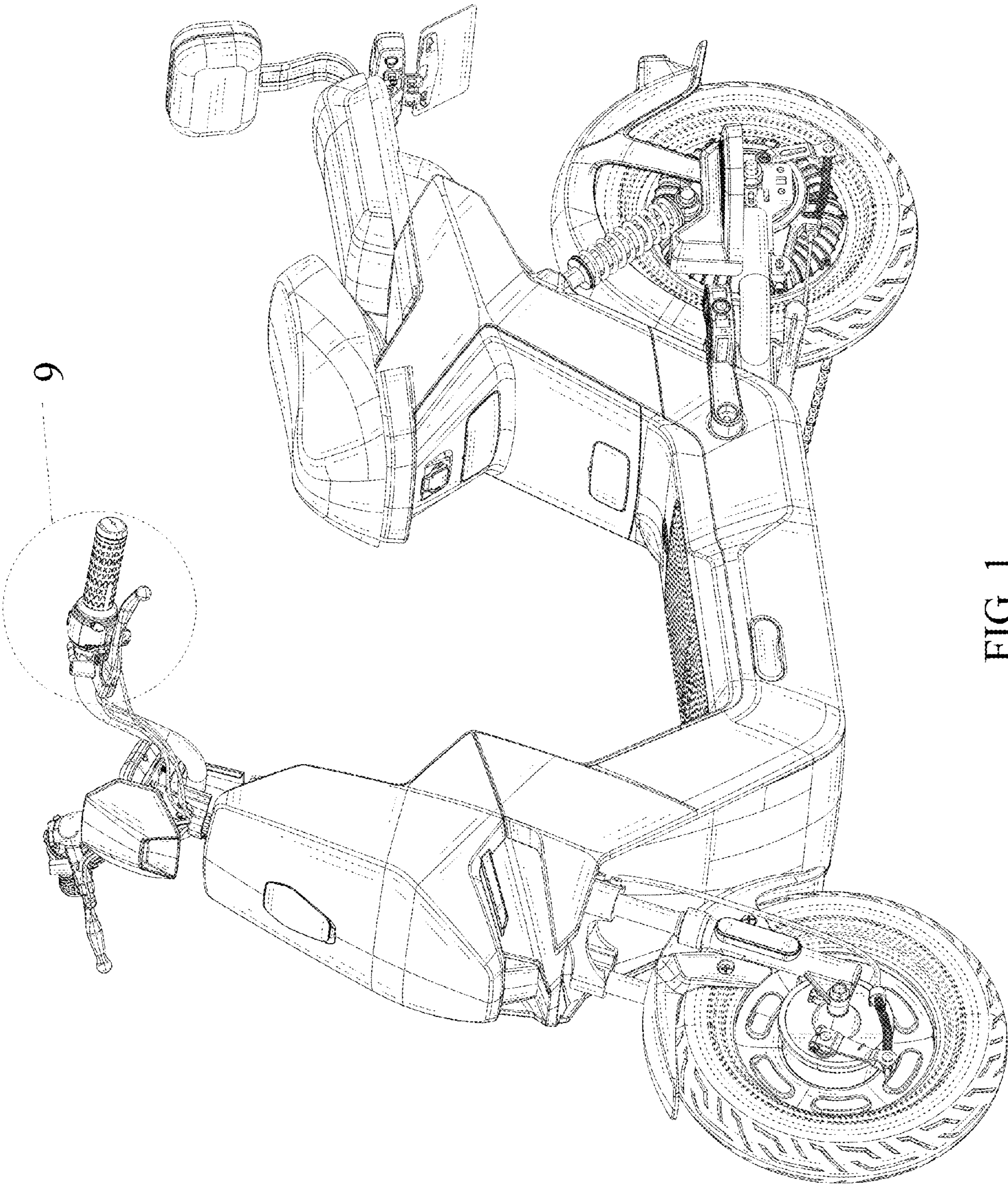


FIG. 1

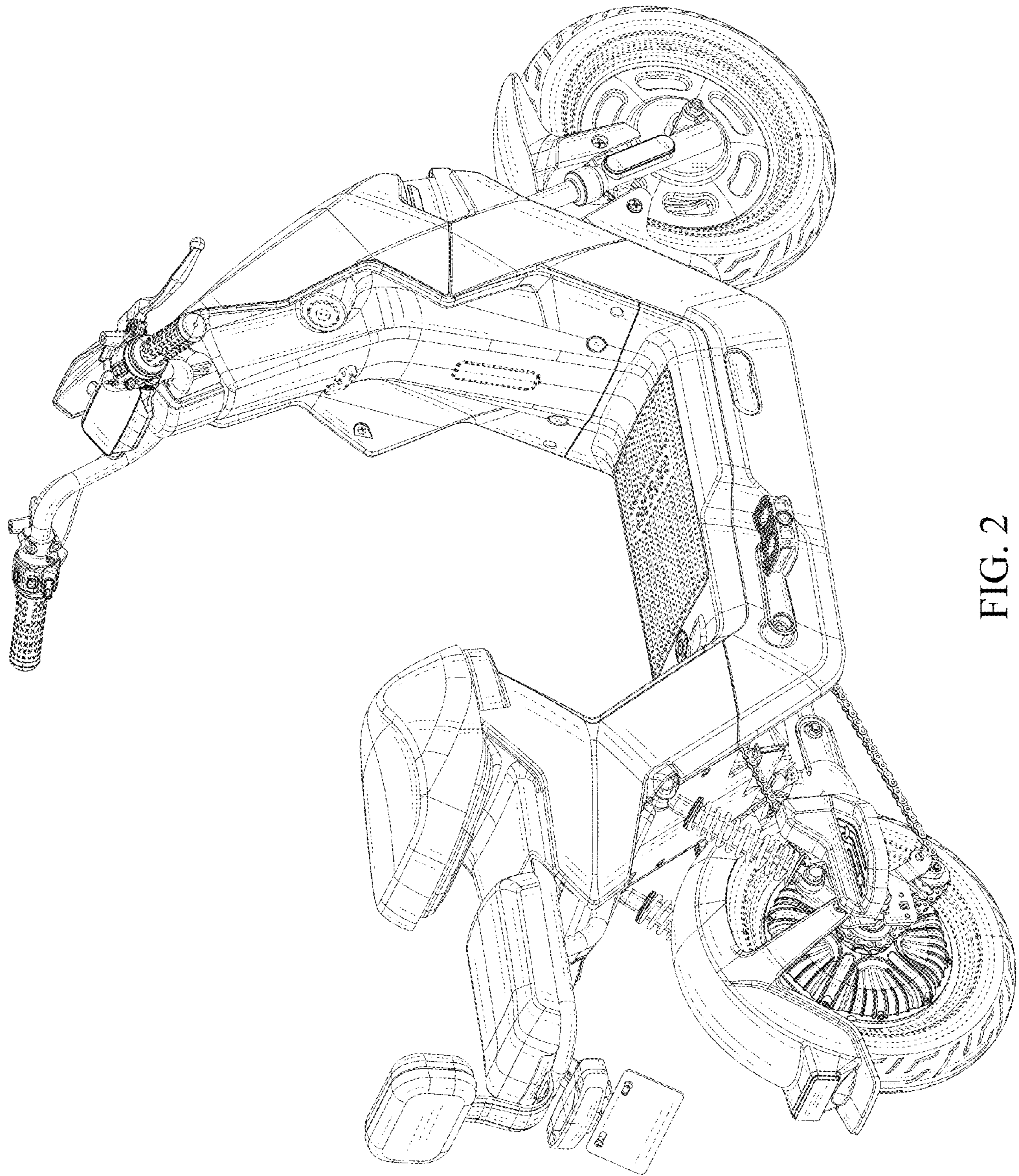


FIG. 2

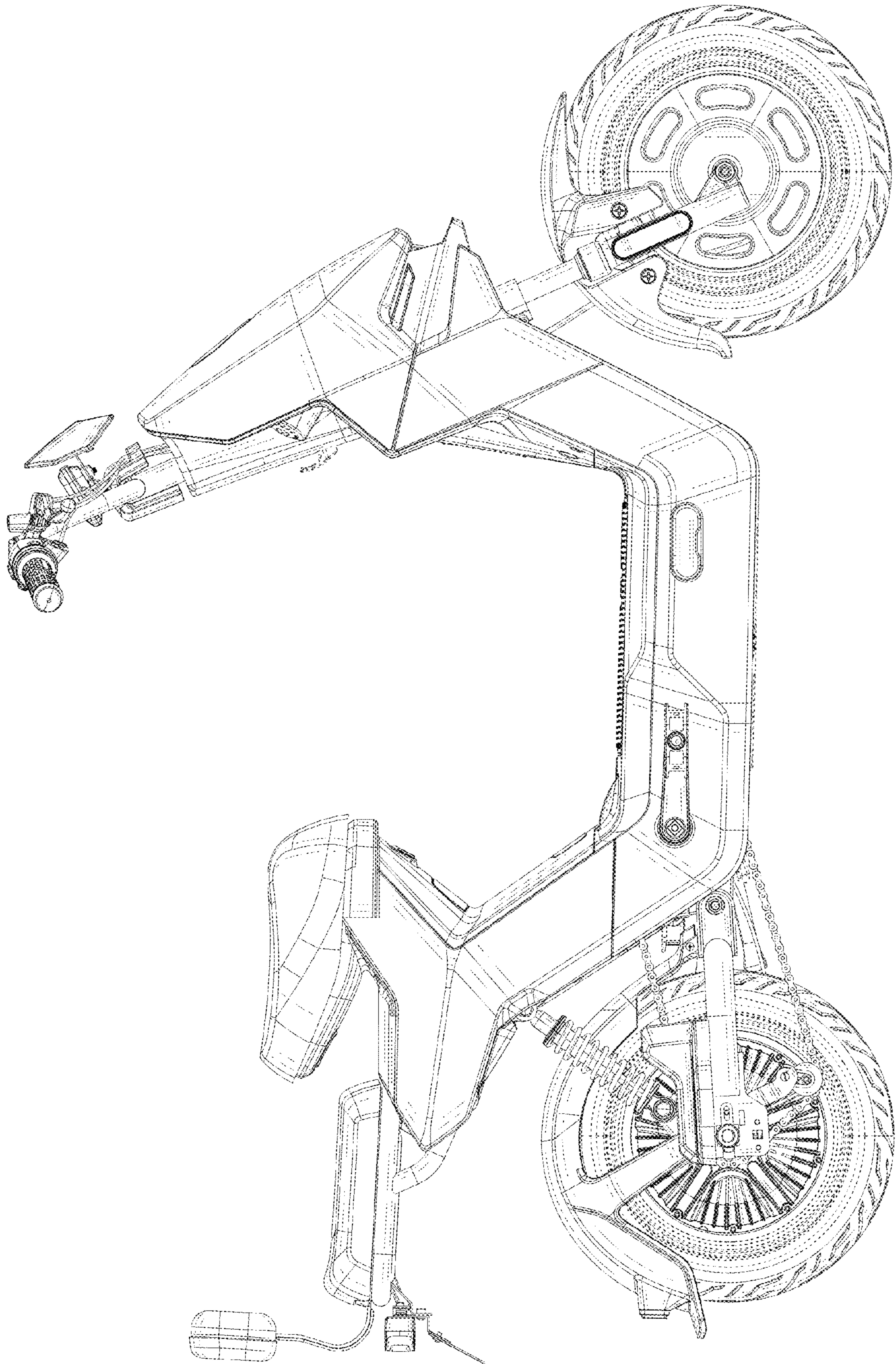


FIG. 3

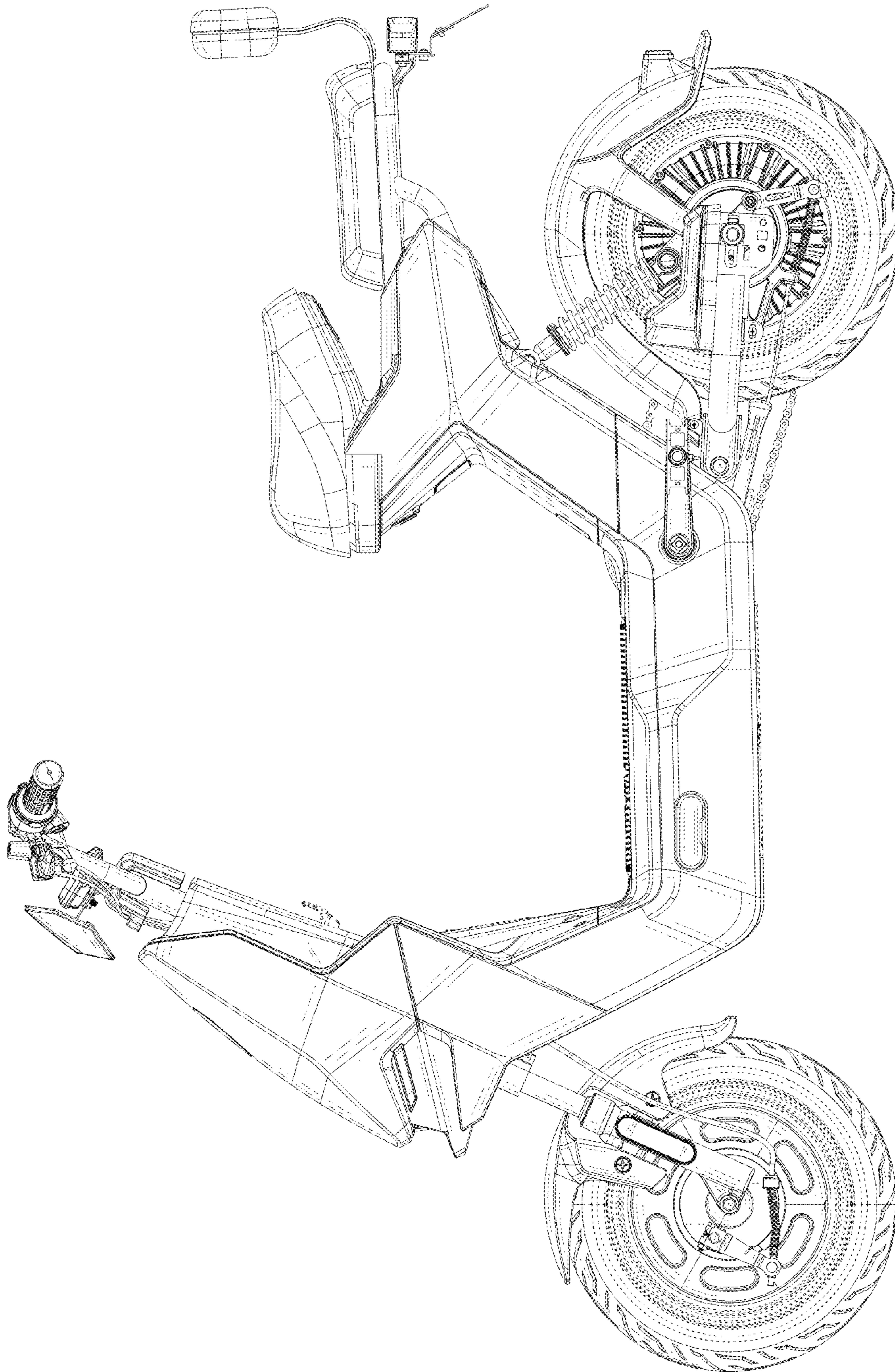


FIG. 4

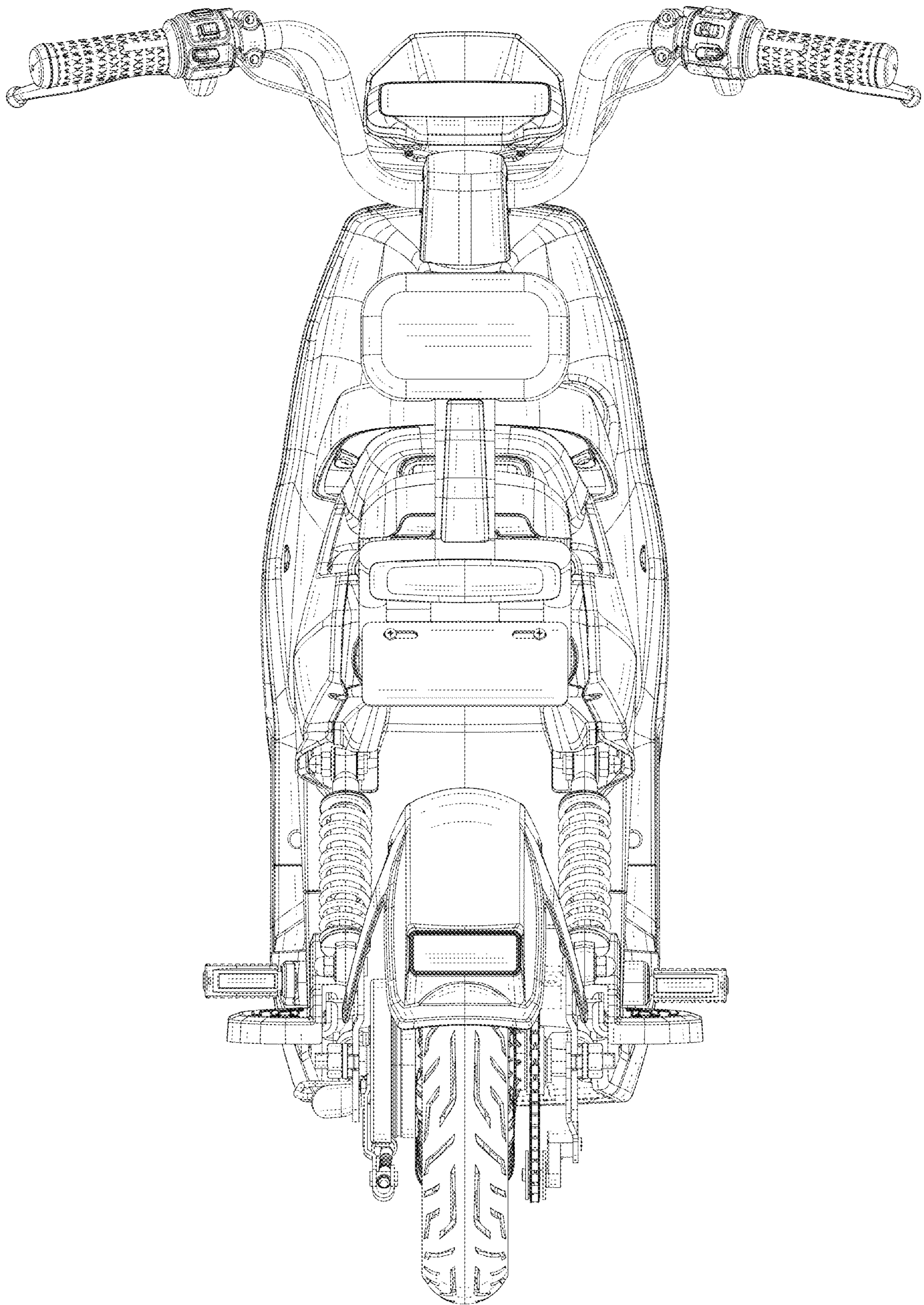


FIG. 5

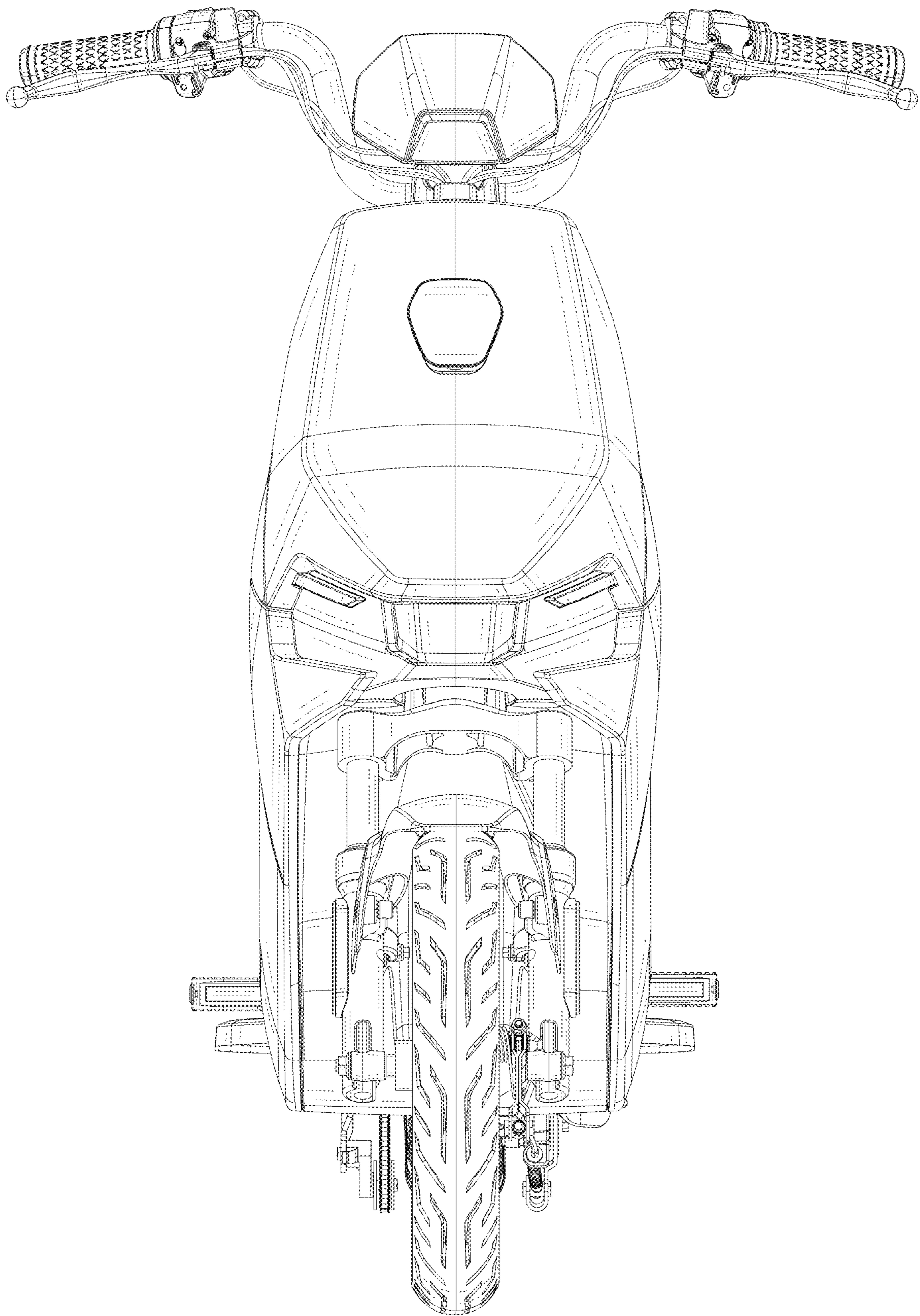


FIG. 6

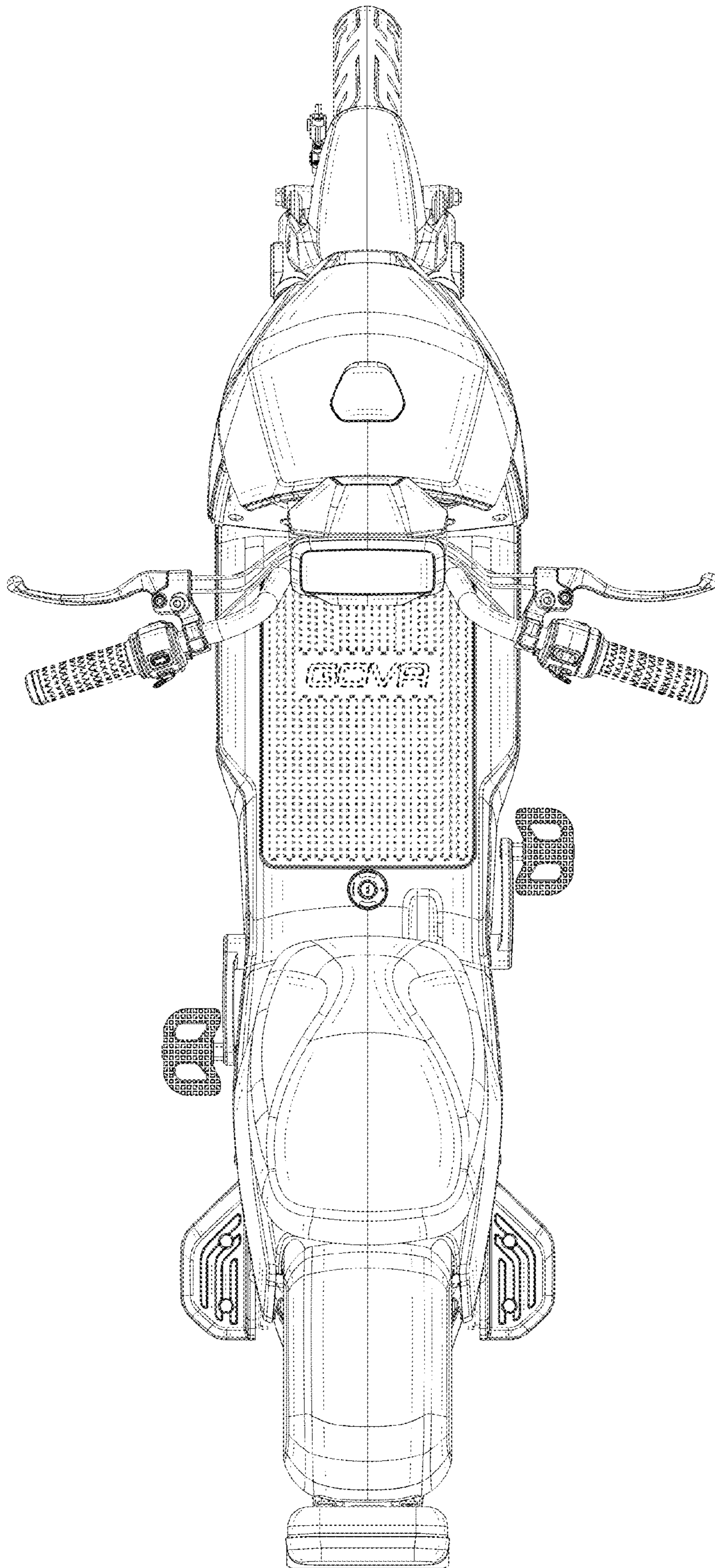


FIG. 7

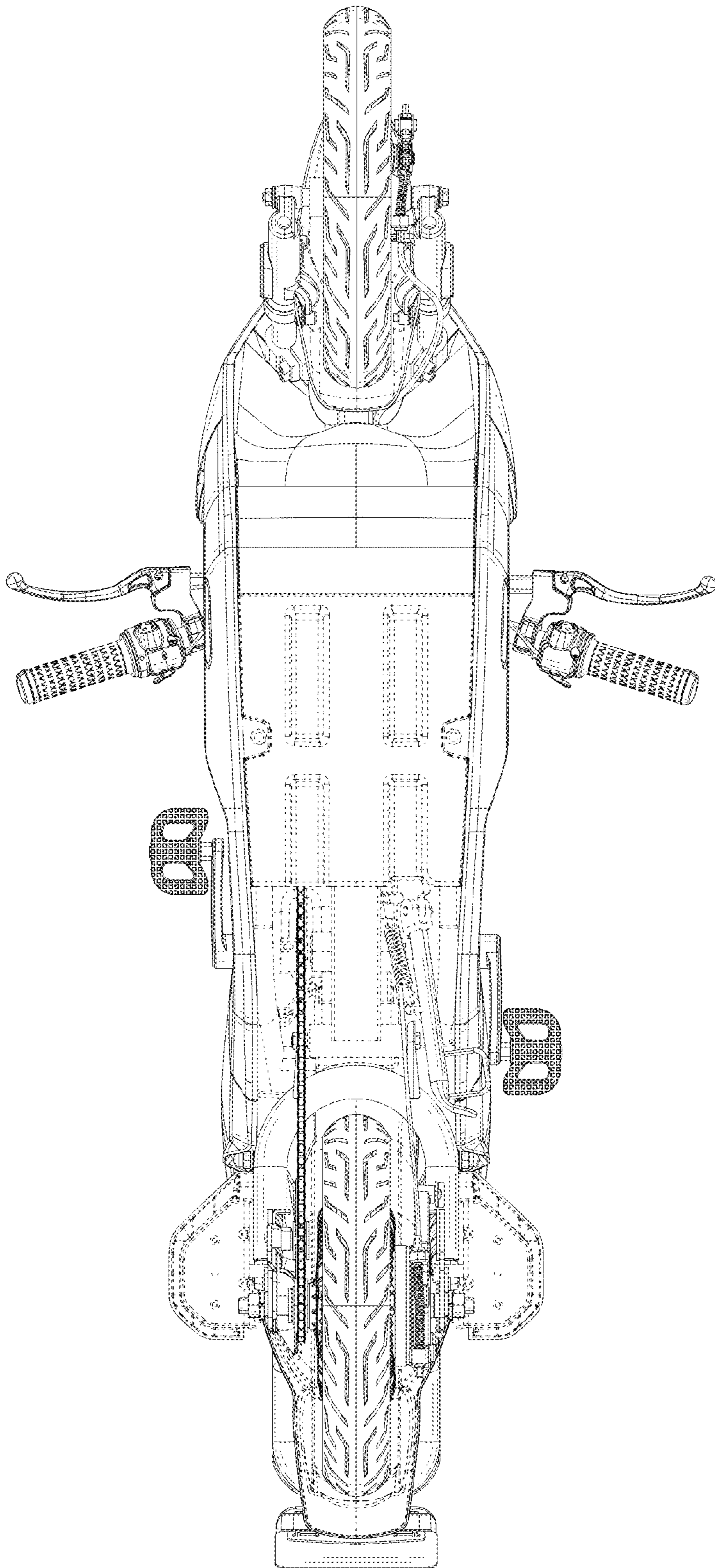


FIG. 8

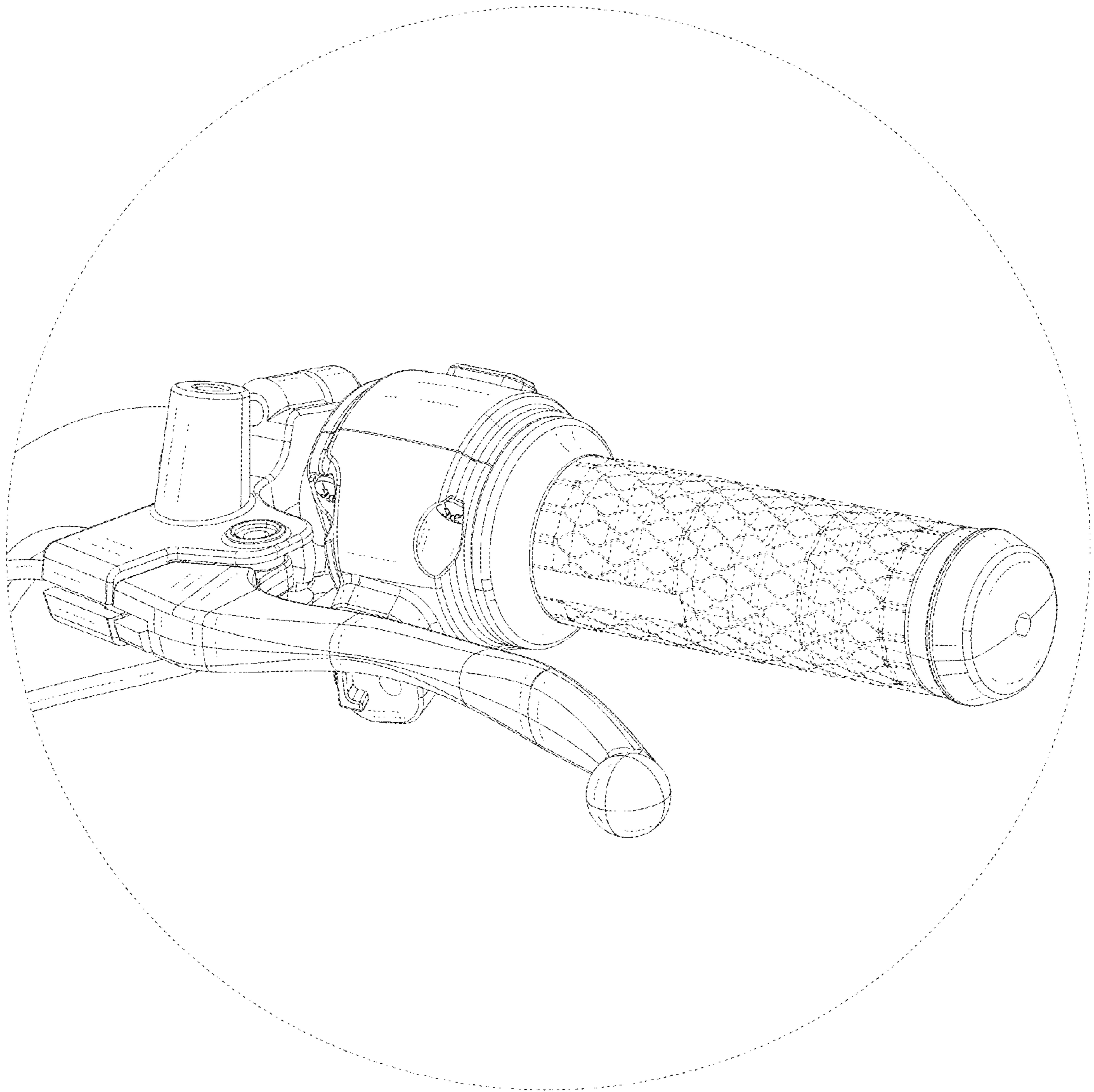


FIG. 9