



US00D988199S

(12) **United States Design Patent** (10) **Patent No.:** **US D988,199 S**
Leite-Gürtner et al. (45) **Date of Patent:** **** Jun. 6, 2023**

(54) **BICYCLE**
(71) Applicant: **Woom GmbH**, Klosterneuburg (AT)
(72) Inventors: **Matthias Leite-Gürtner**,
Klosterneuburg (AT); **Christian**
Bezdeka, Klosterneuburg (AT)
(73) Assignee: **WOOM GMBH**, Klosterneuburg (AT)

2013/0020777 A1* 1/2013 Chen B62K 9/00
280/87.021
2014/0077470 A1* 3/2014 Chen B62K 9/00
280/87.05
2020/0148302 A1* 5/2020 Gatto B62K 13/00
2020/0298925 A1* 9/2020 Viner B62J 43/16
2022/0281552 A1* 9/2022 Liao B62J 43/23
2023/0068636 A1* 3/2023 Matsuzaki B62K 3/10

(**) Term: **15 Years**
(21) Appl. No.: **29/800,098**

FOREIGN PATENT DOCUMENTS
EM 007736624 3/2020
GB 90077366240001 3/2020

(22) Filed: **Jul. 19, 2021**

OTHER PUBLICATIONS

(30) **Foreign Application Priority Data**
Jan. 19, 2021 (EM) 008406565

“Retrospec Childrens-Balance-Bikes Cub Kids Balance Bike No Pedal Bicycle.” Amazon., Apr. 2, 2021 [online], [retrieved on Mar. 3, 2023]. Retrieved from the Internet <URL: https://www.amazon.com/Retrospec-Kids-Balance-Pedal-Bicycle/dp/B091MLS36M/ref=sr_1_2?keywords=woom%2Bbike&qid=1678985281&sr=8-2&th=1&psc=1>.*

(51) **LOC (14) Cl.** **12-11**
(52) **U.S. Cl.**
USPC **D12/111**

(Continued)

(58) **Field of Classification Search**
USPC D12/111, 117; D21/412, 414, 419,
D21/423–428, 431–435
CPC ... B62K 3/00; B62K 3/02; B62K 3/06; B62K
11/00; B62K 11/02; B62K 11/04; B62K
11/10; B62K 17/00; B62K 19/00; B62K
2202/00

Primary Examiner — Darlington Ly
(74) *Attorney, Agent, or Firm* — Lucas & Mercanti, LLP;
Klaus P. Stoffel

See application file for complete search history.

(57) **CLAIM**

The ornamental design for a bicycle, as shown and described.

(56) **References Cited**

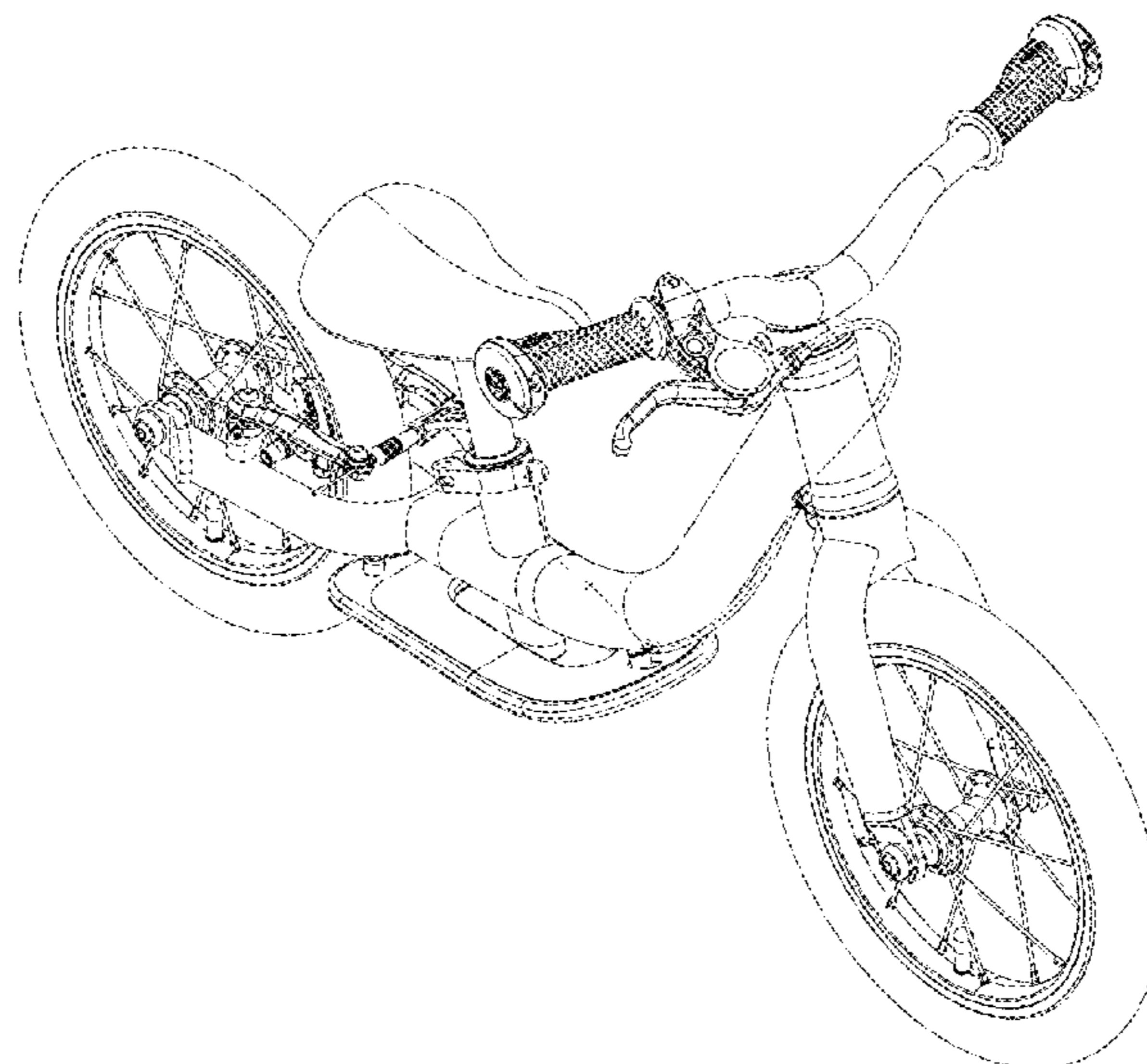
DESCRIPTION

U.S. PATENT DOCUMENTS

D537,758 S * 3/2007 Grepper D21/432
D567,149 S * 4/2008 Grepper D12/111
D659,597 S * 5/2012 Chen B62K 9/00
D21/432
D739,308 S * 9/2015 Barnaby Latham D21/435
D814,361 S * 4/2018 Shi D12/111
D900,681 S * 11/2020 Liu D12/111
D906,184 S * 12/2020 Liao D12/111
D924,102 S * 7/2021 Avery D12/111

FIG. 1 is a front elevation view of a bicycle embodying our new design;
FIG. 2 is a rear elevation view thereof;
FIG. 3 is a top plan view thereof;
FIG. 4 is a bottom plan view thereof;
FIG. 5 is a left side elevation view thereof;
FIG. 6 is a right side elevation view thereof; and,
FIG. 7 is a top, front, and right side perspective view thereof.

1 Claim, 4 Drawing Sheets



(56)

References Cited

OTHER PUBLICATIONS

“Woom 1 Balance Bike Review: More Than Good Looks.” Play Outside Guide., Apr. 3, 2016 [online], [retrieved on Mar. 3, 2023]. Retrieved from the Internet <URL: <https://playoutsideguide.com/2015/05/woom-1-balance-bike-review-more-than/>>.*

“Woom Balance Bike Surfboard for 2021 onwards bikes.” The Little Bike Company., Oct. 11, 2018 [online], [retrieved on Mar. 3, 2023]. Retrieved from the Internet <URL: <https://www.thelittlebikecompany.co.uk/product/woom-balance-bike-surfboard/>>.*

* cited by examiner

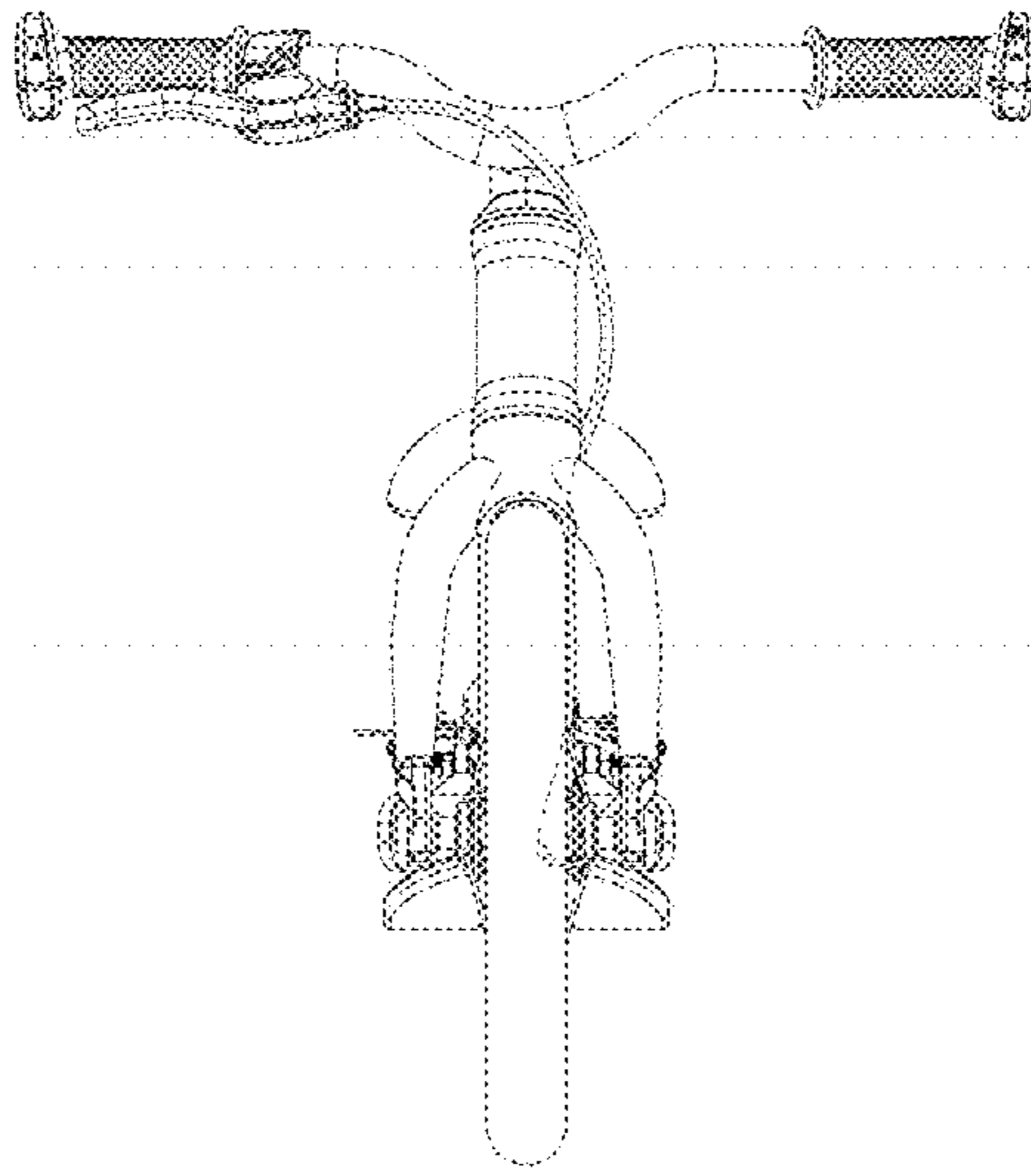


Fig. 1

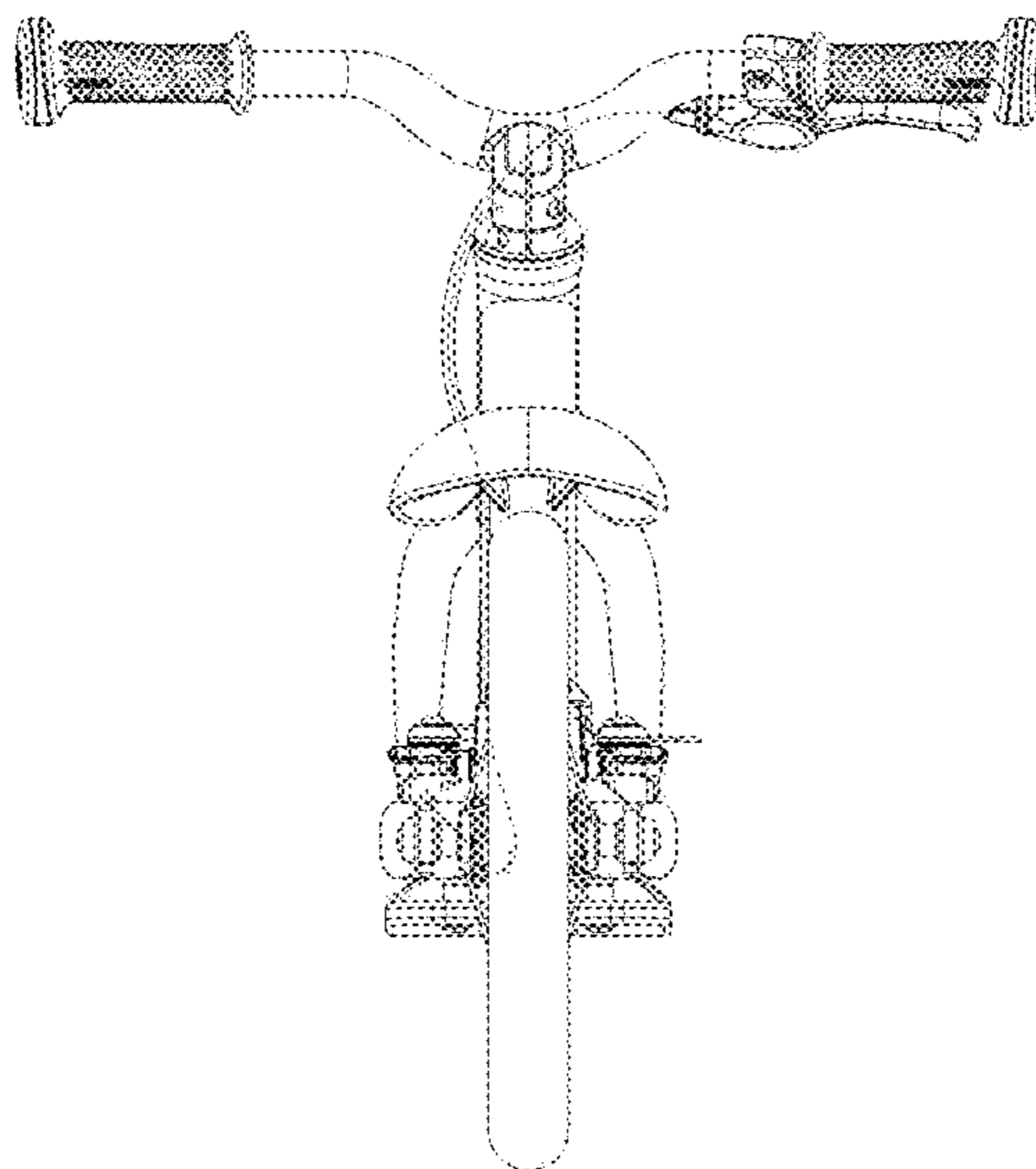


Fig. 2

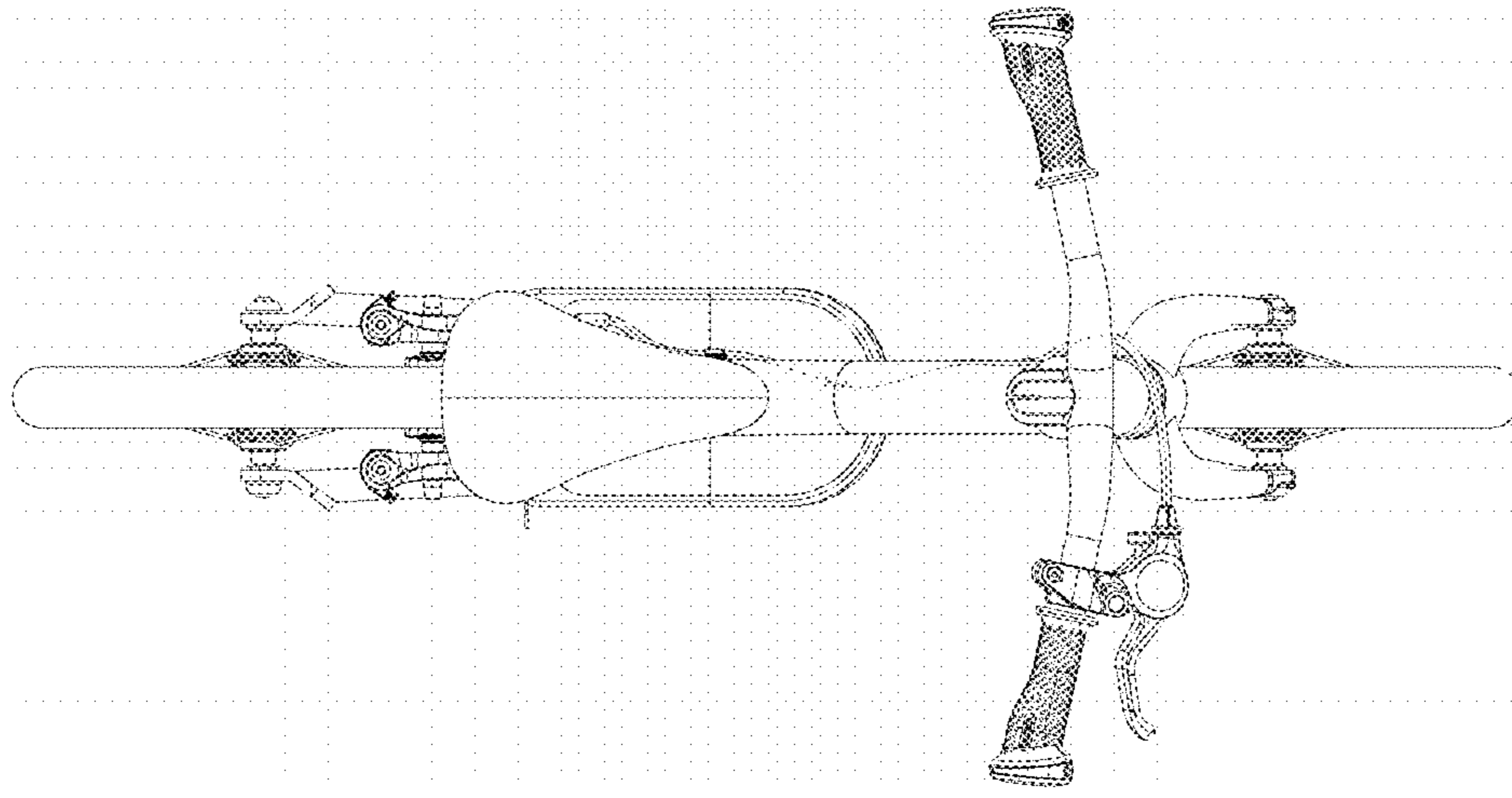


Fig. 3

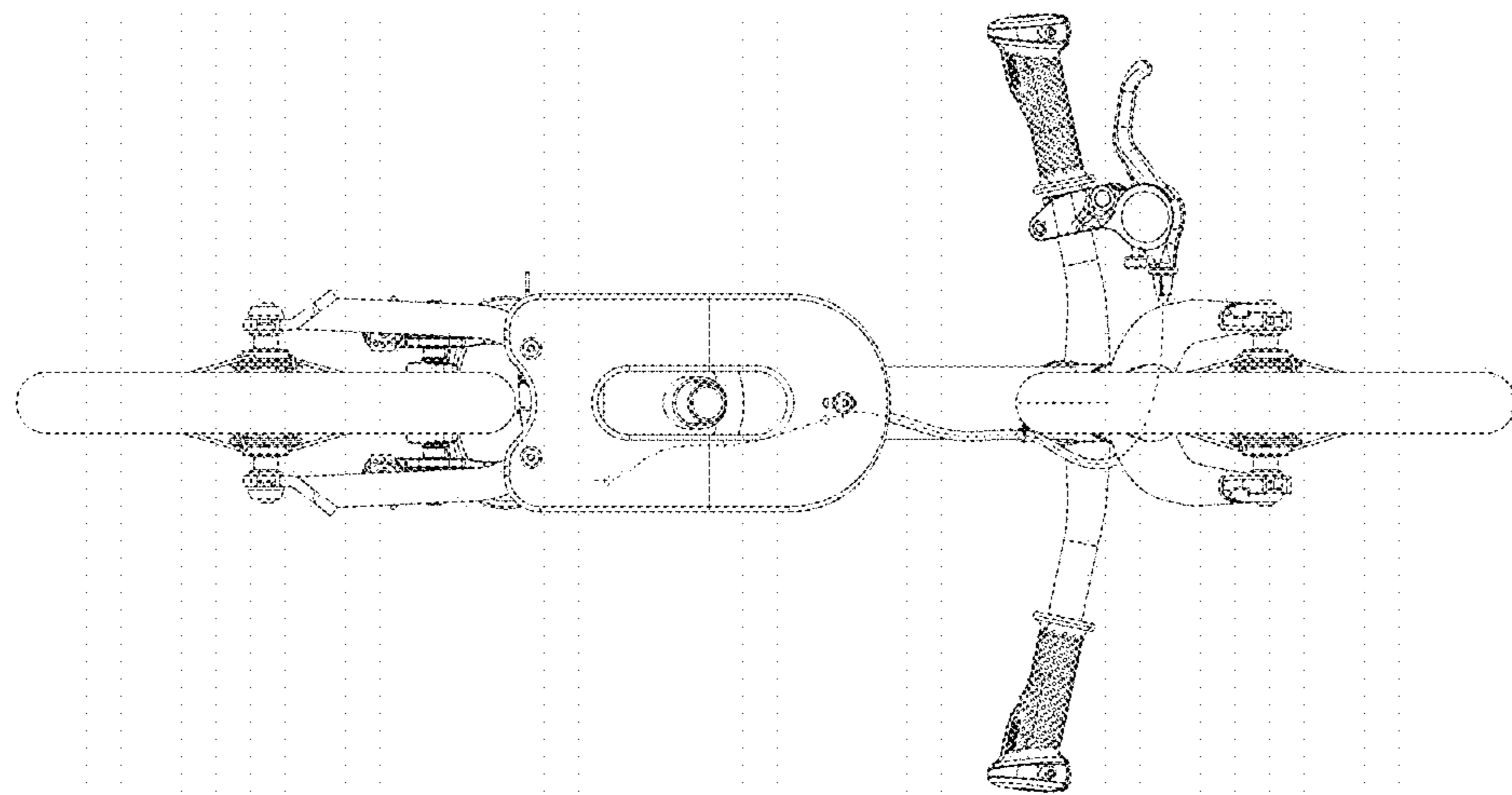


Fig. 4

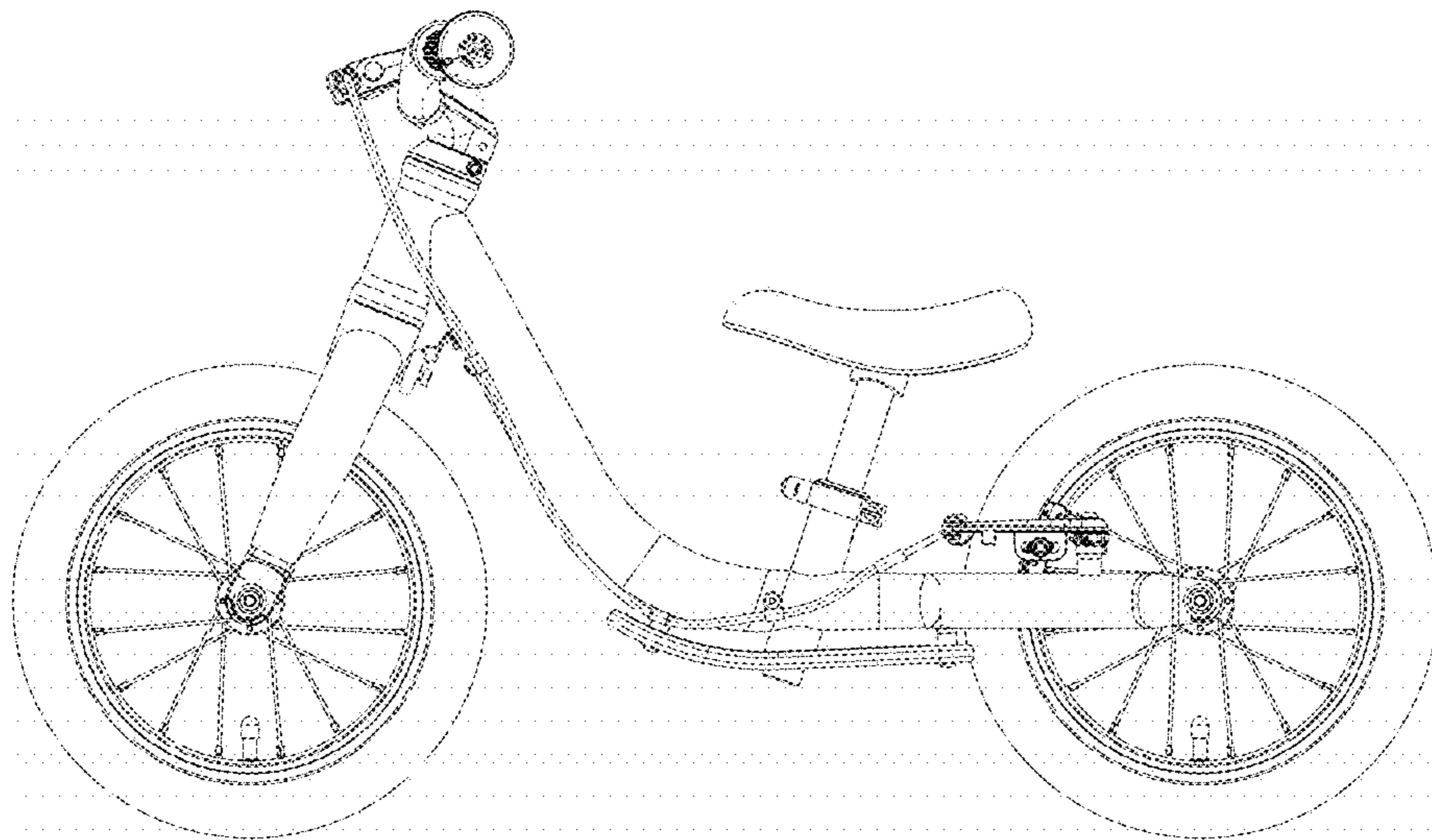


Fig. 5

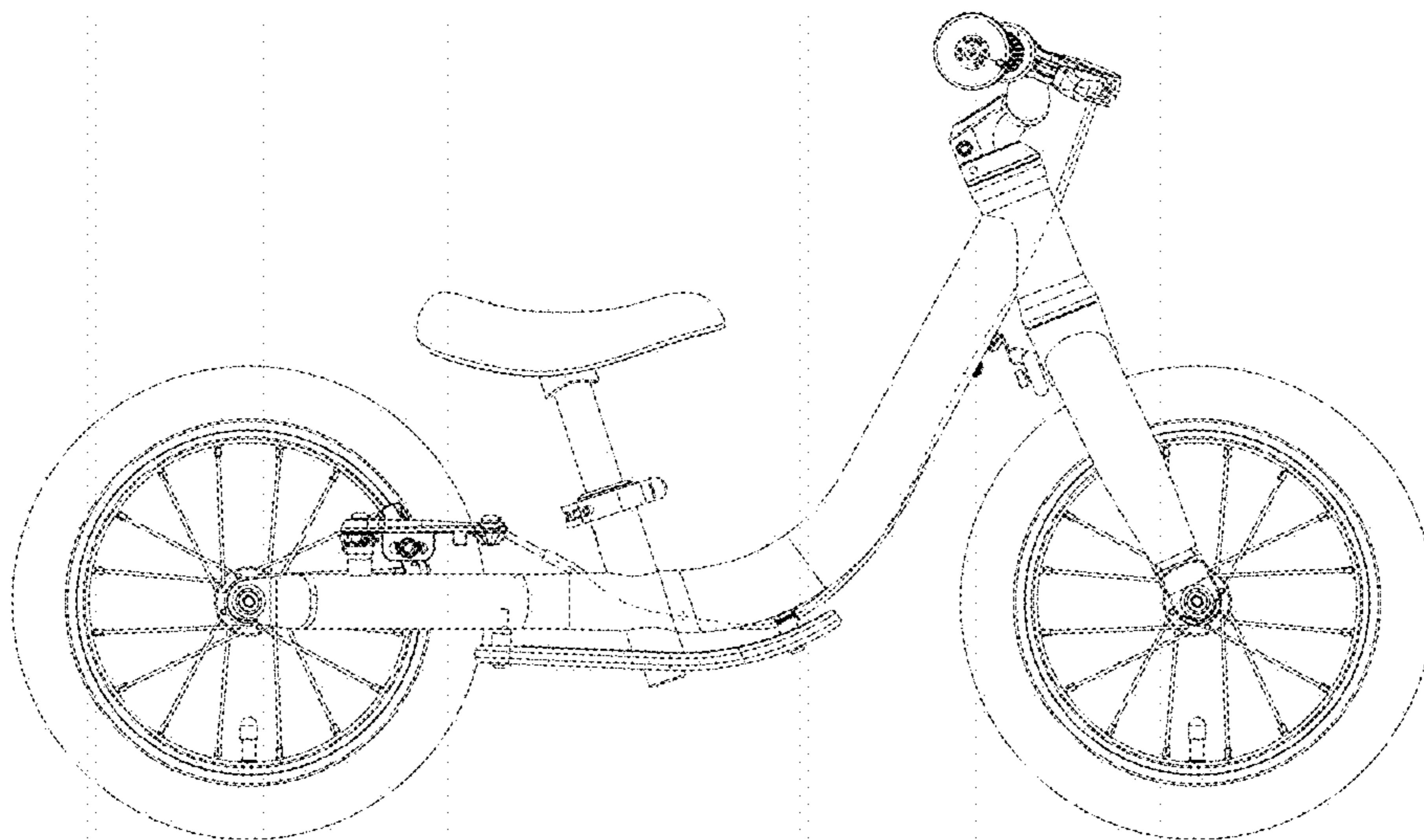


Fig. 6

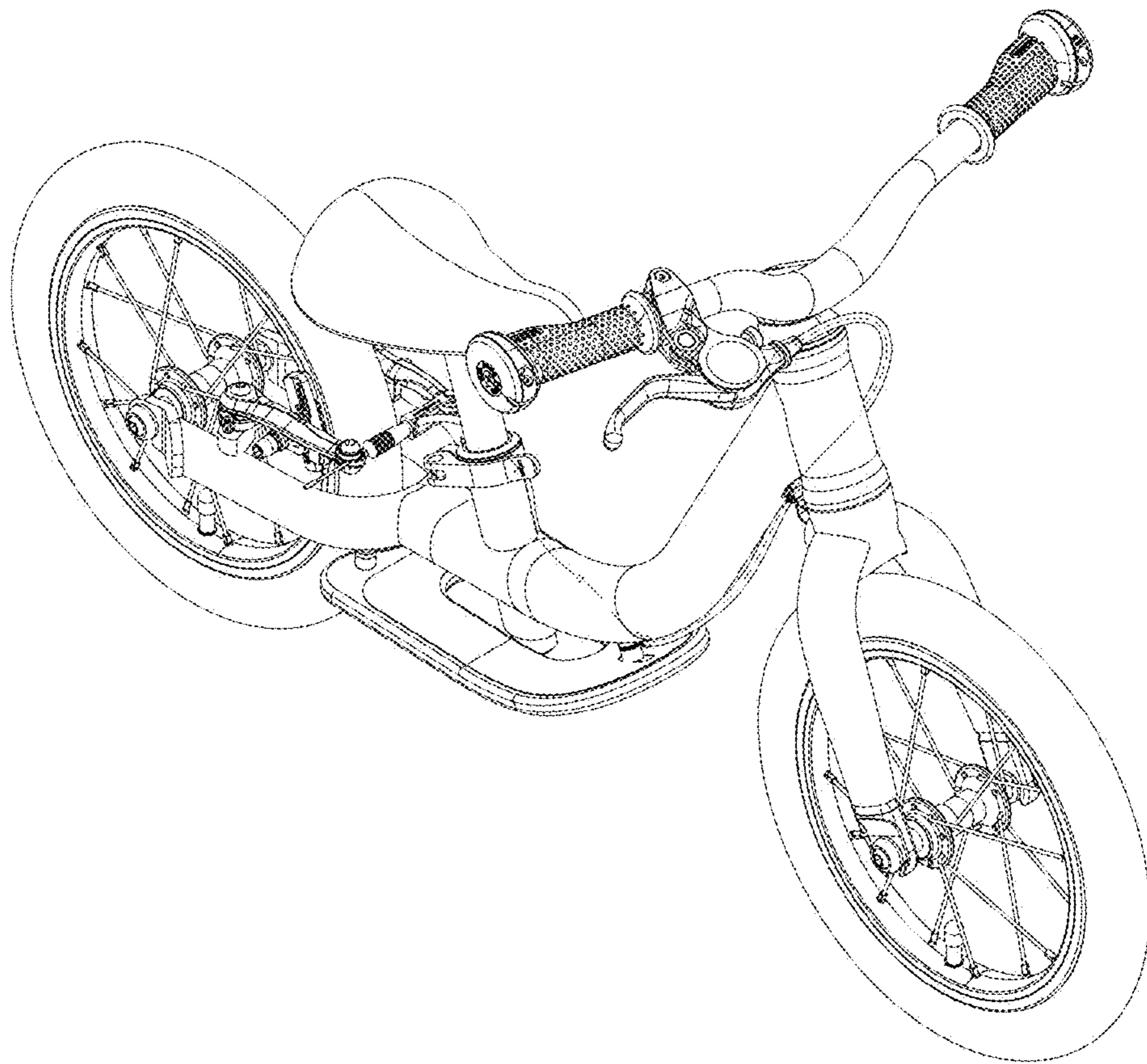


Fig. 7