



US00D988197S

(12) **United States Design Patent**
Cao et al.

(10) **Patent No.:** **US D988,197 S**
(45) **Date of Patent:** **** Jun. 6, 2023**

(54) **BICYCLE**

- (71) Applicant: **HONGJI INTELLIGENT BIKE CO., LTD**, Changzhou (CN)
- (72) Inventors: **Jiangnan Cao**, Changzhou (CN); **Feng Fan**, Changzhou (CN); **Jun Wu**, Changzhou (CN)

(**) Term: **15 Years**

(21) Appl. No.: **29/790,783**

(22) Filed: **Dec. 14, 2021**

(30) **Foreign Application Priority Data**

Nov. 18, 2021 (CN) 202130757901.6

(51) **LOC (14) Cl.** **12-11**

(52) **U.S. Cl.**
USPC **D12/111**

(58) **Field of Classification Search**
USPC D12/111, 117; D21/412, 414, 419, D21/423-428, 431-435
CPC ... B62K 3/00; B62K 3/02; B62K 3/06; B62K 11/00; B62K 11/02; B62K 11/04; B62K 11/10; B62K 17/00; B62K 19/00; B62K 2202/00

See application file for complete search history.

(56) **References Cited**

U.S. PATENT DOCUMENTS

D662,445 S *	6/2012	Uimonen	D12/111
D730,778 S *	6/2015	Harness	D12/111
D795,747 S *	8/2017	Bailie	D12/111
D803,728 S *	11/2017	Kamler	D21/432
D807,232 S *	1/2018	Bailie	D21/432
D807,233 S *	1/2018	Zhang	D12/111
D890,633 S *	7/2020	Zhou	D12/111
D909,920 S *	2/2021	Zhu	D12/111
D910,497 S *	2/2021	Sun	D12/111
D914,548 S *	3/2021	Chen	D12/111

(Continued)

OTHER PUBLICATIONS

Laurens van Rooijen. "d & i Awards announced by Taipei Cycle." Show Daily., Feb. 24, 2021 [online], [retrieved on Oct. 20, 2022]. Retrieved from the Internet <URL: <https://www.showdaily.net/2021/02/d-i-awards-announced-by-taipei-cycle/>>.*

(Continued)

Primary Examiner — Darlington Ly

(74) *Attorney, Agent, or Firm* — Rमित Ranjit Kanakia

(57) **CLAIM**

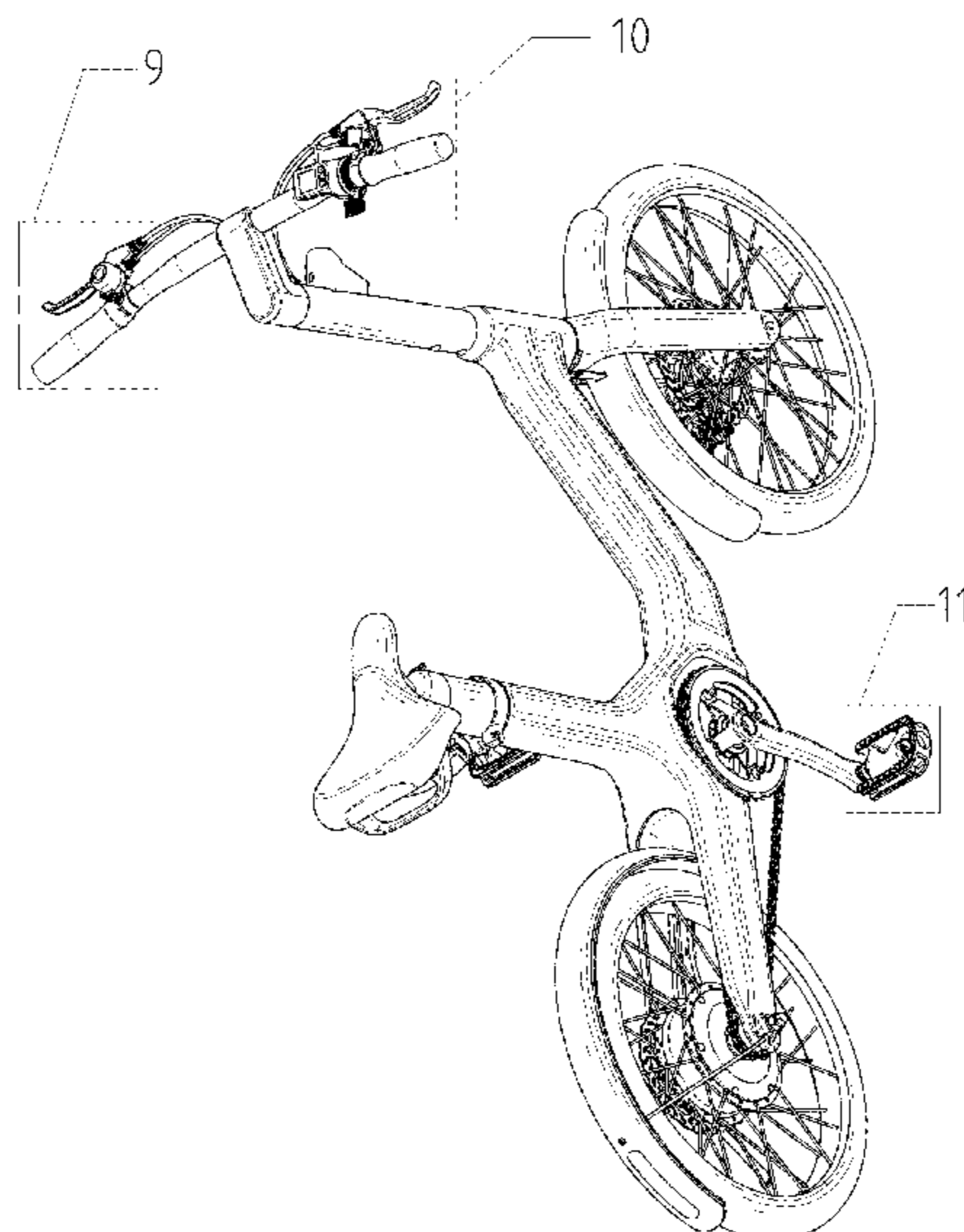
The ornamental design for a bicycle, as shown and described.

DESCRIPTION

FIG. 1 is a top and right side perspective view of a bicycle embodying our new design;
 FIG. 2 is a bottom and left side perspective view thereof;
 FIG. 3 is a right side elevation view thereof;
 FIG. 4 is a left side elevation view thereof;
 FIG. 5 is a top plan view thereof;
 FIG. 6 is a bottom plan view thereof;
 FIG. 7 is a front elevation view thereof;
 FIG. 8 is a rear elevation view thereof;
 FIG. 9 is a partial and enlarged perspective view thereof for portion 9 in FIG. 1;
 FIG. 10 is a partial and enlarged perspective view thereof for portion 10 in FIG. 1;
 FIG. 11 is a partial and enlarged perspective view thereof for portion 11 in FIG. 1;
 FIG. 12 is a partial and enlarged perspective view thereof for portion 12 in FIG. 2; and,
 FIG. 13 is a partial and enlarged perspective view thereof for portion 13 in FIG. 2.

The broken lines shown in the drawings depict portions of the bicycle in which the design is embodied that form no part of the claimed design.

1 Claim, 13 Drawing Sheets



(56)

References Cited

U.S. PATENT DOCUMENTS

D914,549 S * 3/2021 Chen D12/111
 D917,349 S * 4/2021 Fan D12/111
 D918,778 S * 5/2021 Shi D12/111
 D920,169 S * 5/2021 Li D12/111
 D924,102 S * 7/2021 Avery D12/111
 D929,269 S * 8/2021 Chen D12/111
 D933,538 S * 10/2021 Chen D12/111
 D934,120 S * 10/2021 Zhu D12/111
 D948,384 S * 4/2022 Cai D12/111
 D951,144 S * 5/2022 Tomohiko D12/111
 D952,521 S * 5/2022 Wang D12/111
 D953,936 S * 6/2022 Zhu D12/111
 D956,631 S * 7/2022 Okonsky D12/111
 D957,291 S * 7/2022 Deng D12/111
 D960,054 S * 8/2022 Yang D12/111
 D960,769 S * 8/2022 Chen D12/111
 D978,026 S * 2/2023 Tian D12/111
 2010/0314187 A1 * 12/2010 Chen B62M 6/60
 180/206.8

2014/0076650 A1* 3/2014 Kim B62K 3/10
 180/220
 2014/0076652 A1* 3/2014 Kim B62K 15/006
 180/220
 2020/0079471 A1* 3/2020 Eguchi B62K 25/04

OTHER PUBLICATIONS

Zach Overholt. "Taipei Cycle Gold Awards by iF for 2021." Bike Rumor., Feb. 24, 2021 [online], [retrieved on Oct. 20, 2022]. Retrieved from the Internet <URL: <https://bikerumor.com/taipei-cycle-gold-awards-by-if-for-2021-include-products-from-merida-liv-cadex-more/>>.*

Ruaan Nelson. "Folding Electric Bikes: We review the best foldable e-bikes for 2022." Bike Rumor., Jul. 9, 2022 [online], [retrieved on Oct. 20, 2022]. Retrieved from the Internet <URL: <https://electricbiking.com/folding-electric-bike/>>.*

* cited by examiner

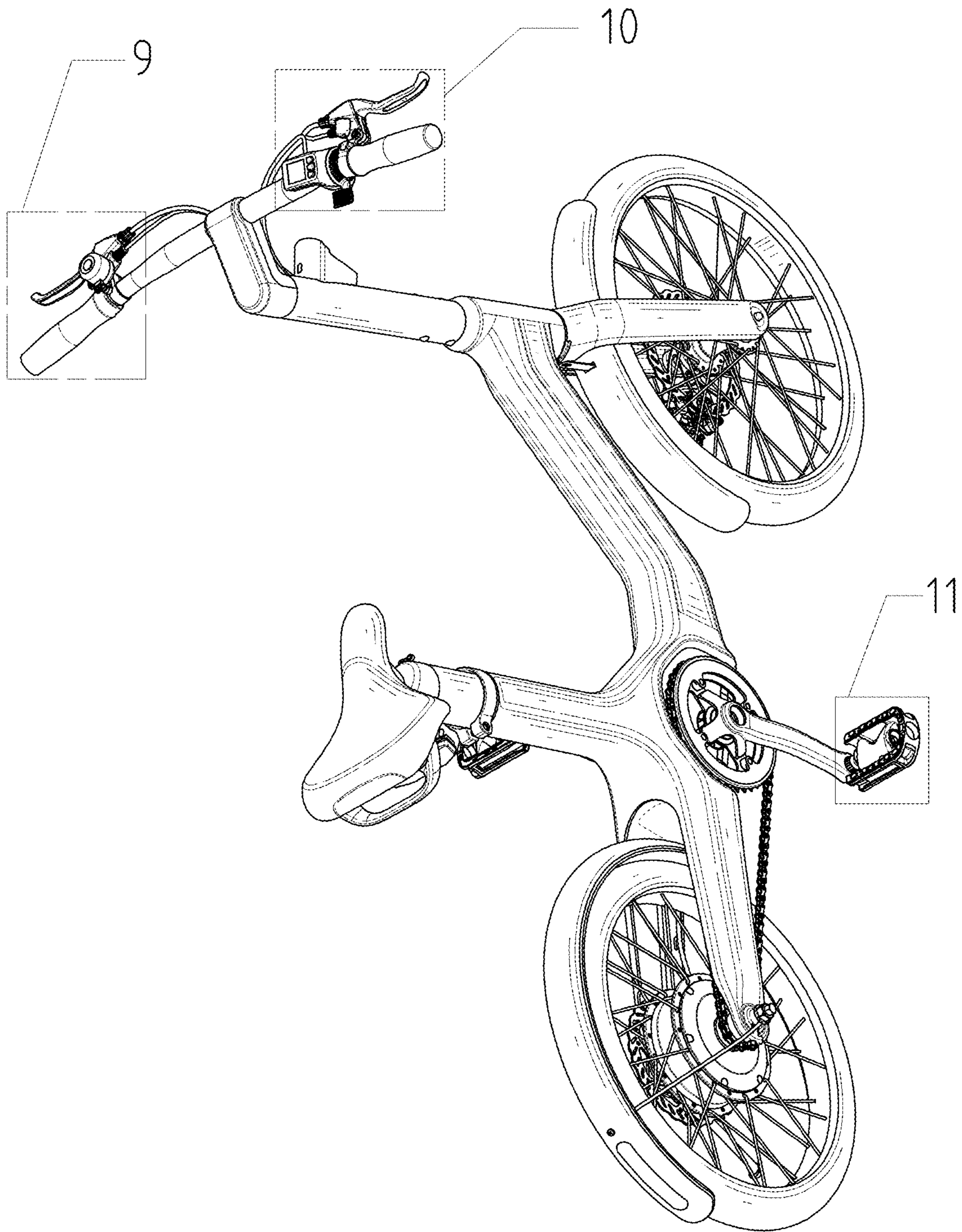


FIG. 1

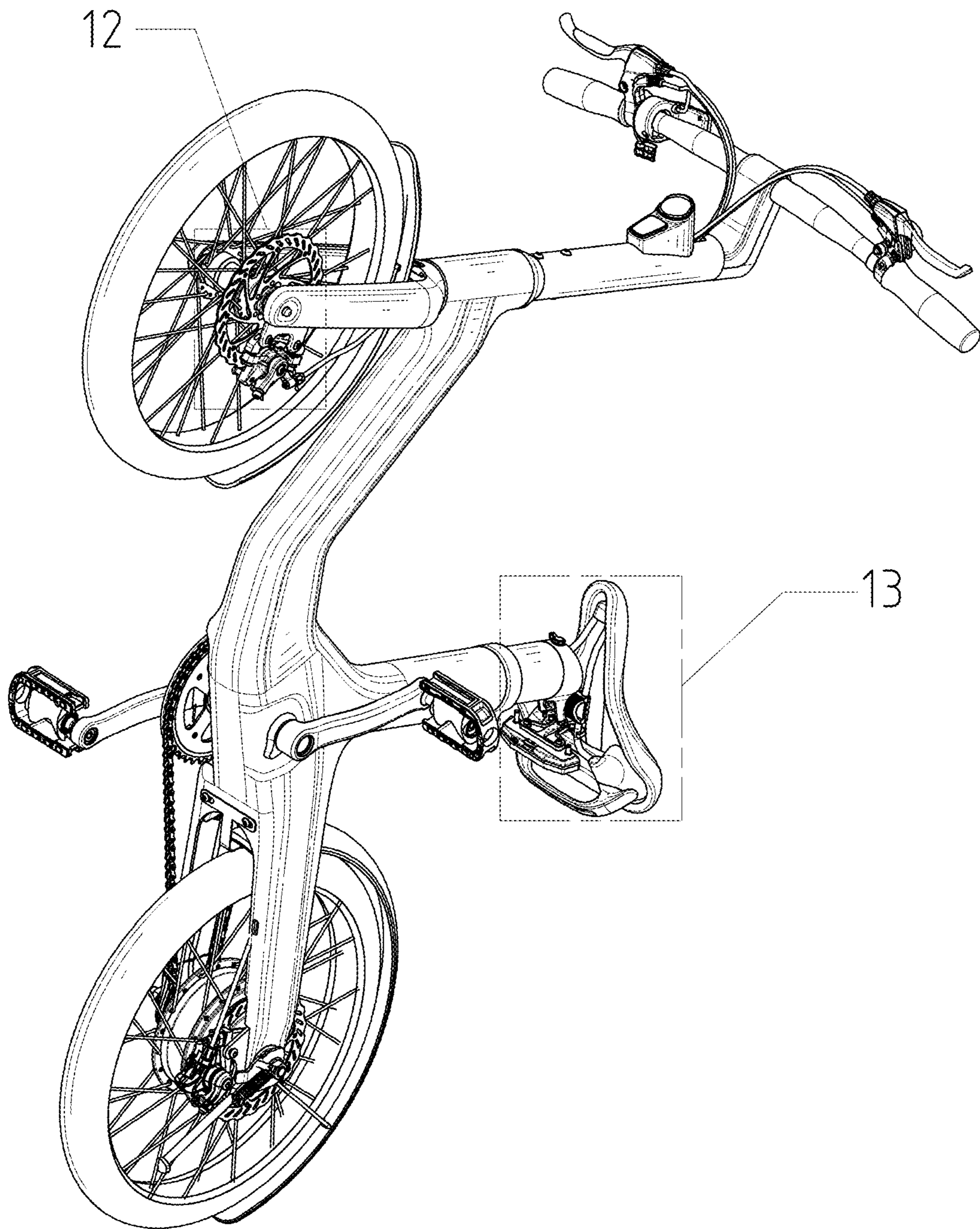


FIG. 2

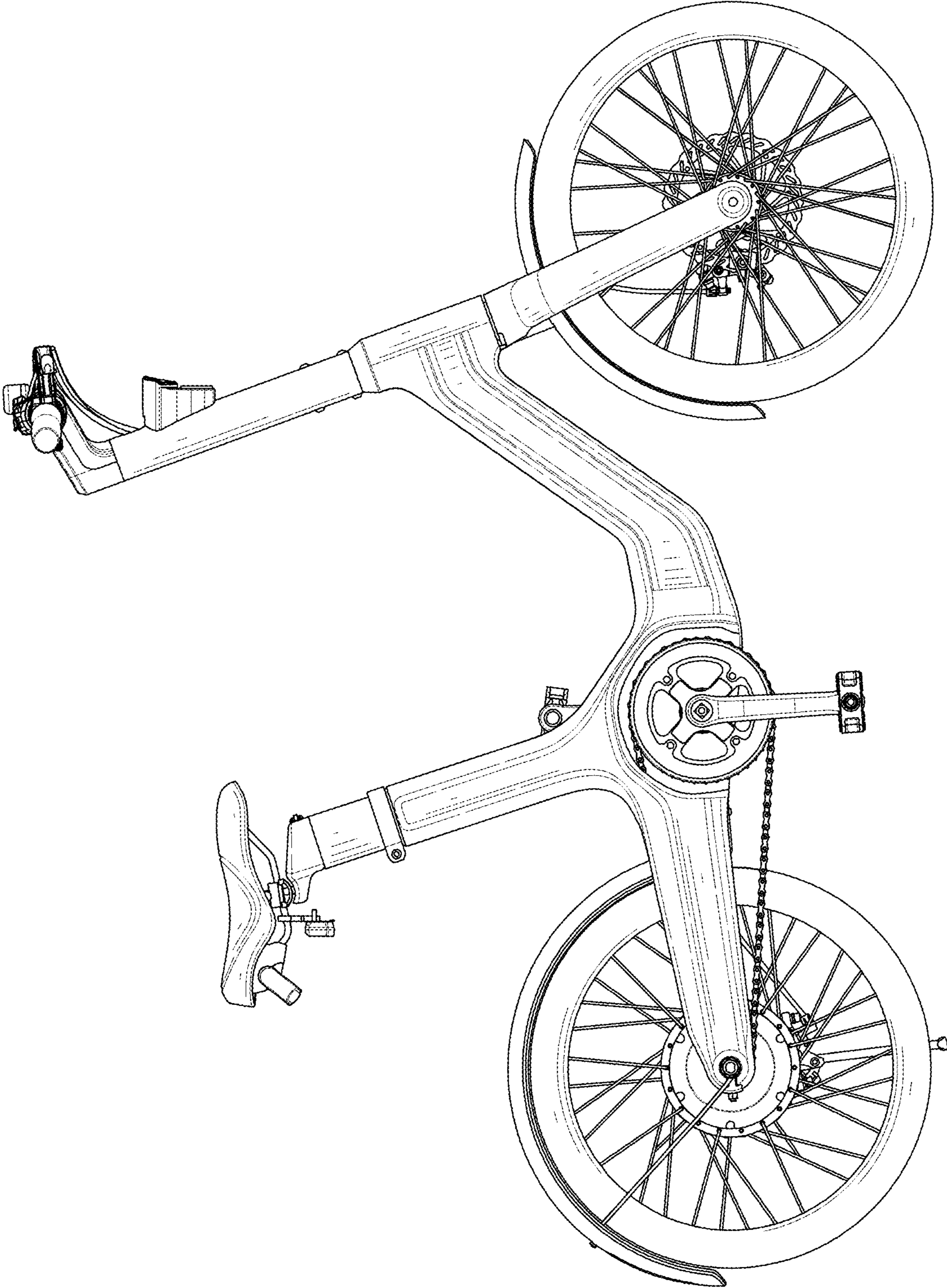


FIG. 3

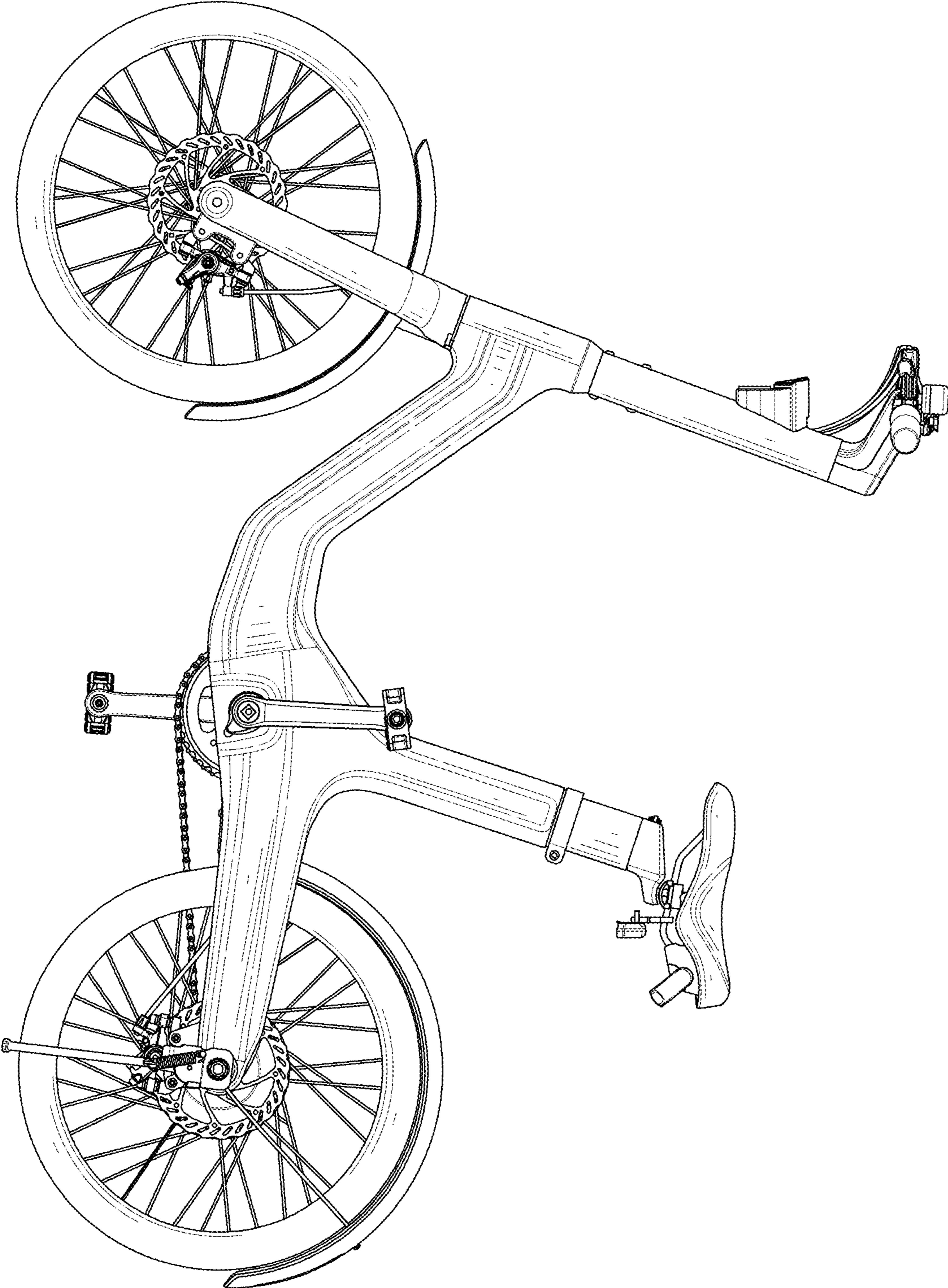


FIG. 4

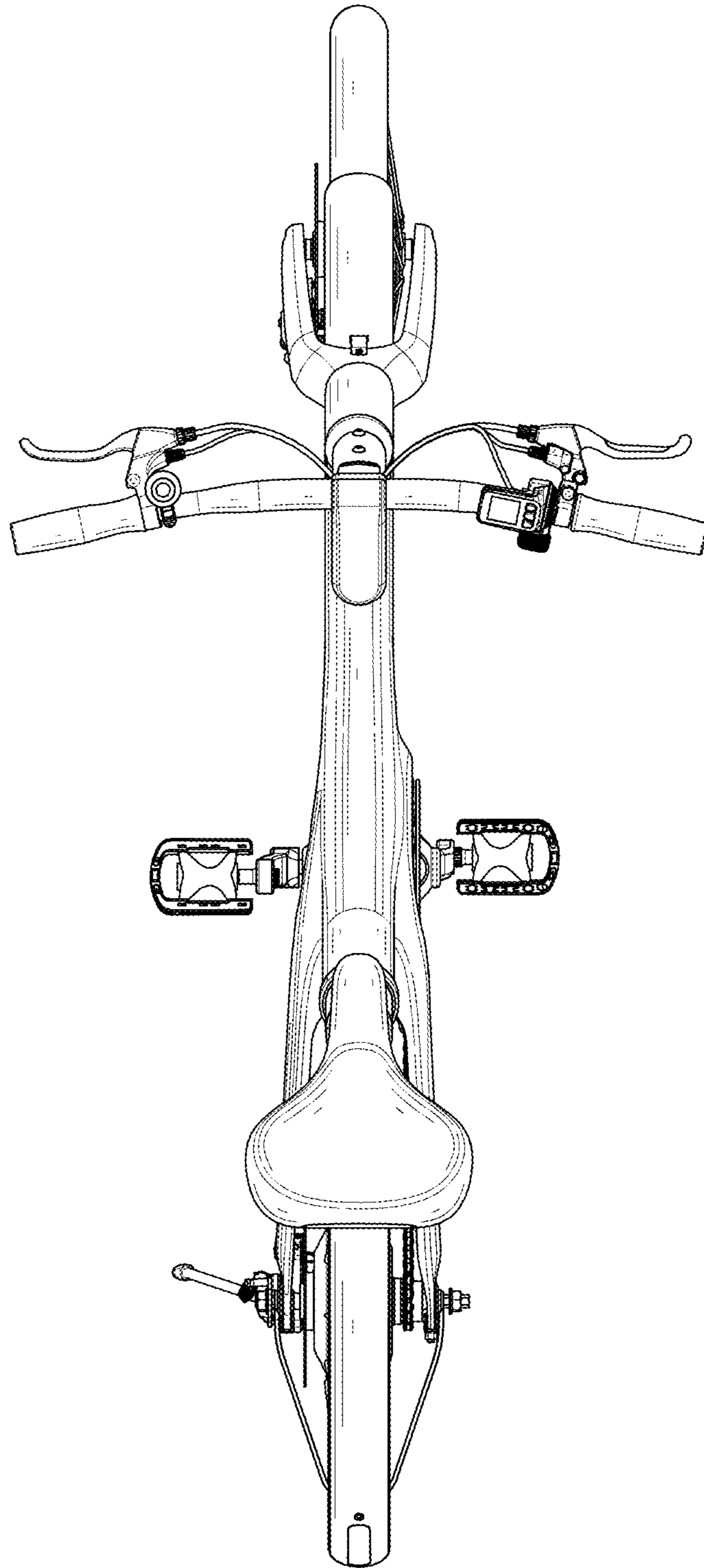


FIG. 5

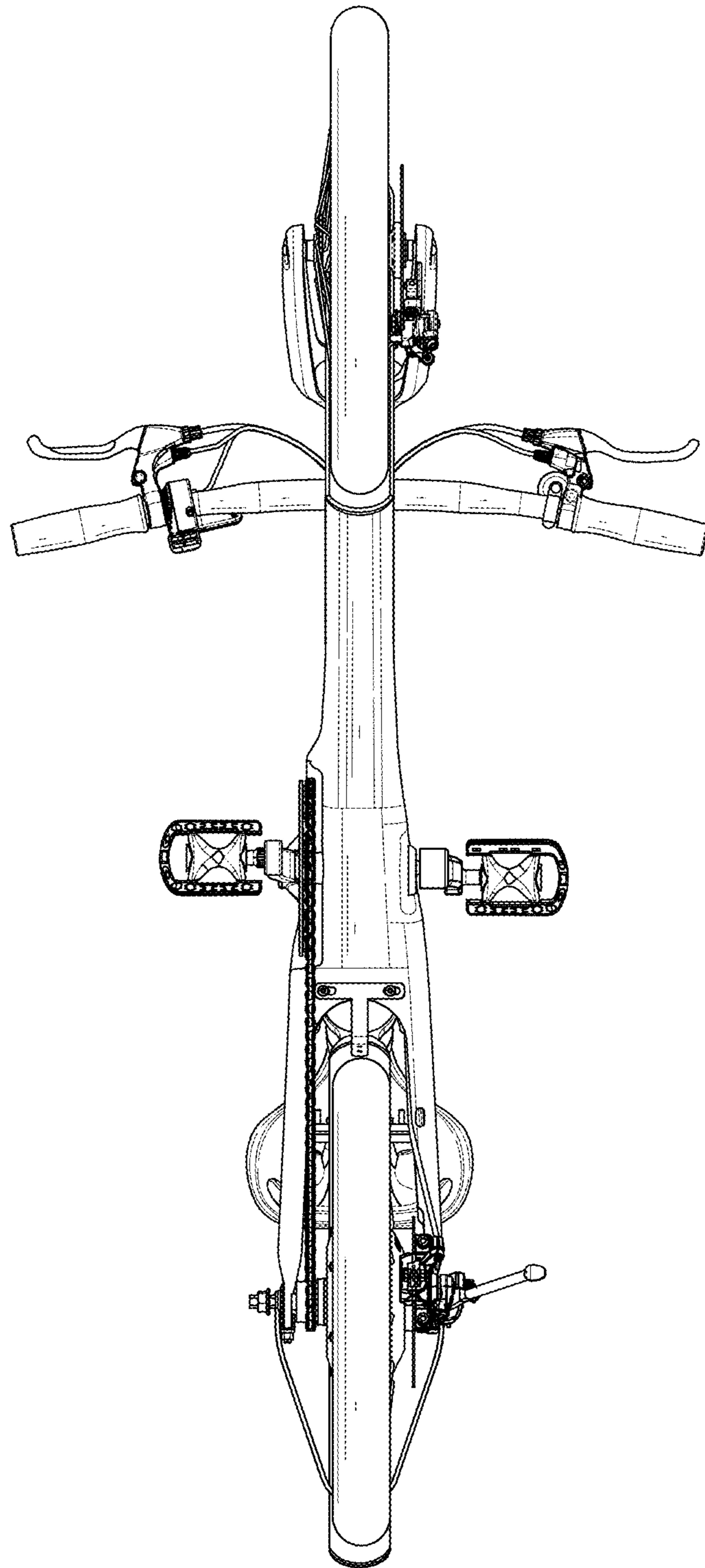


FIG. 6

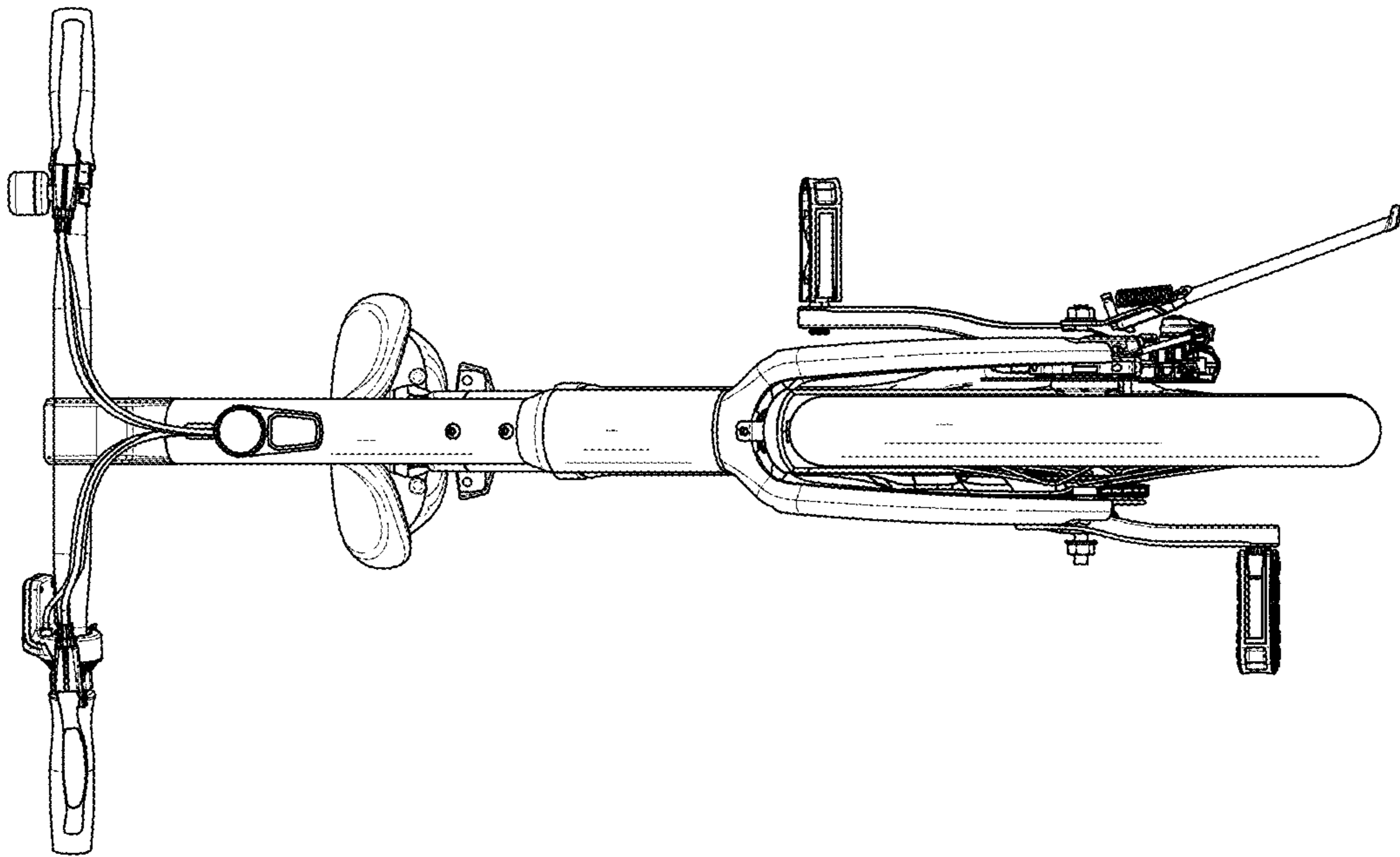


FIG. 7

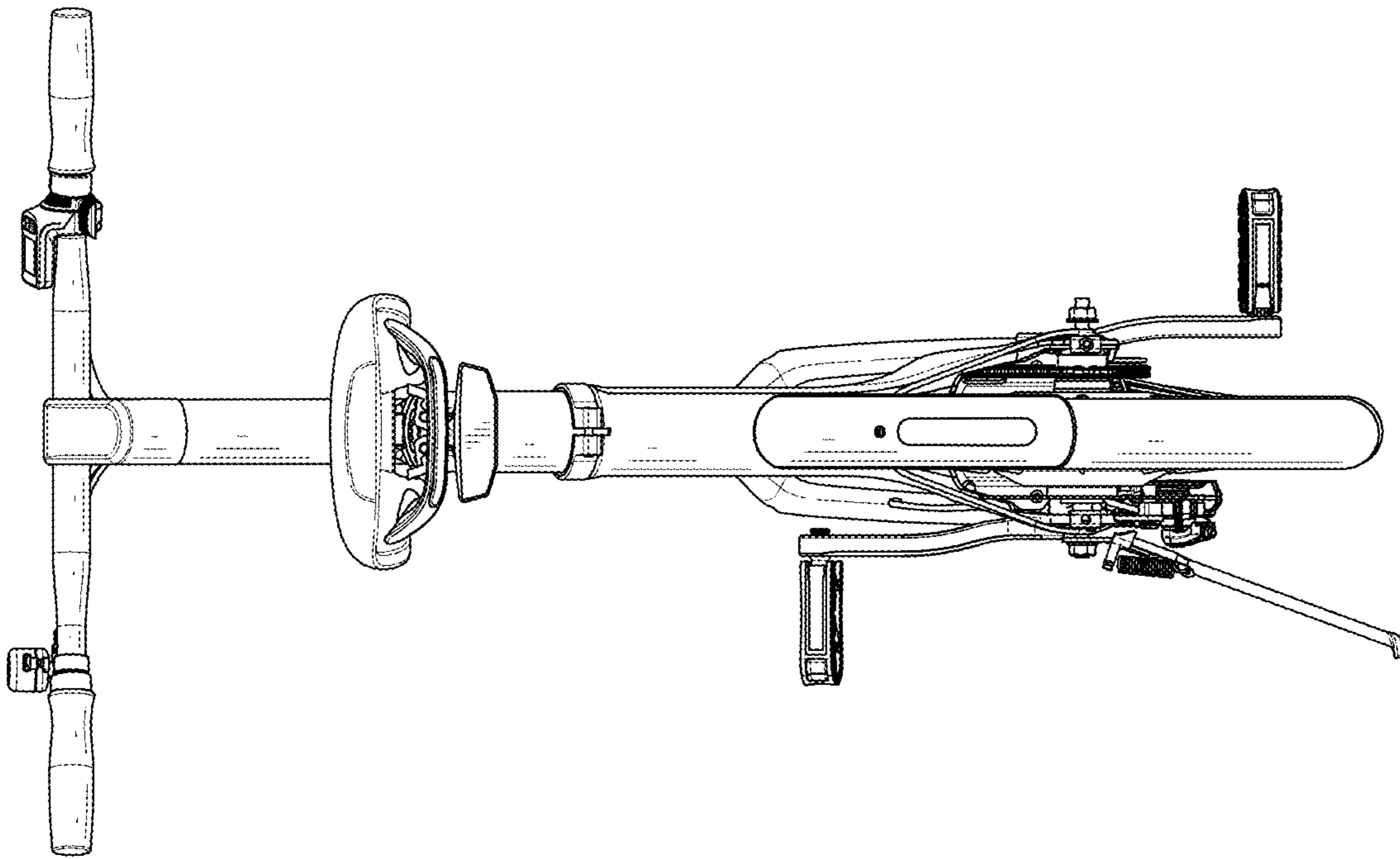


FIG. 8

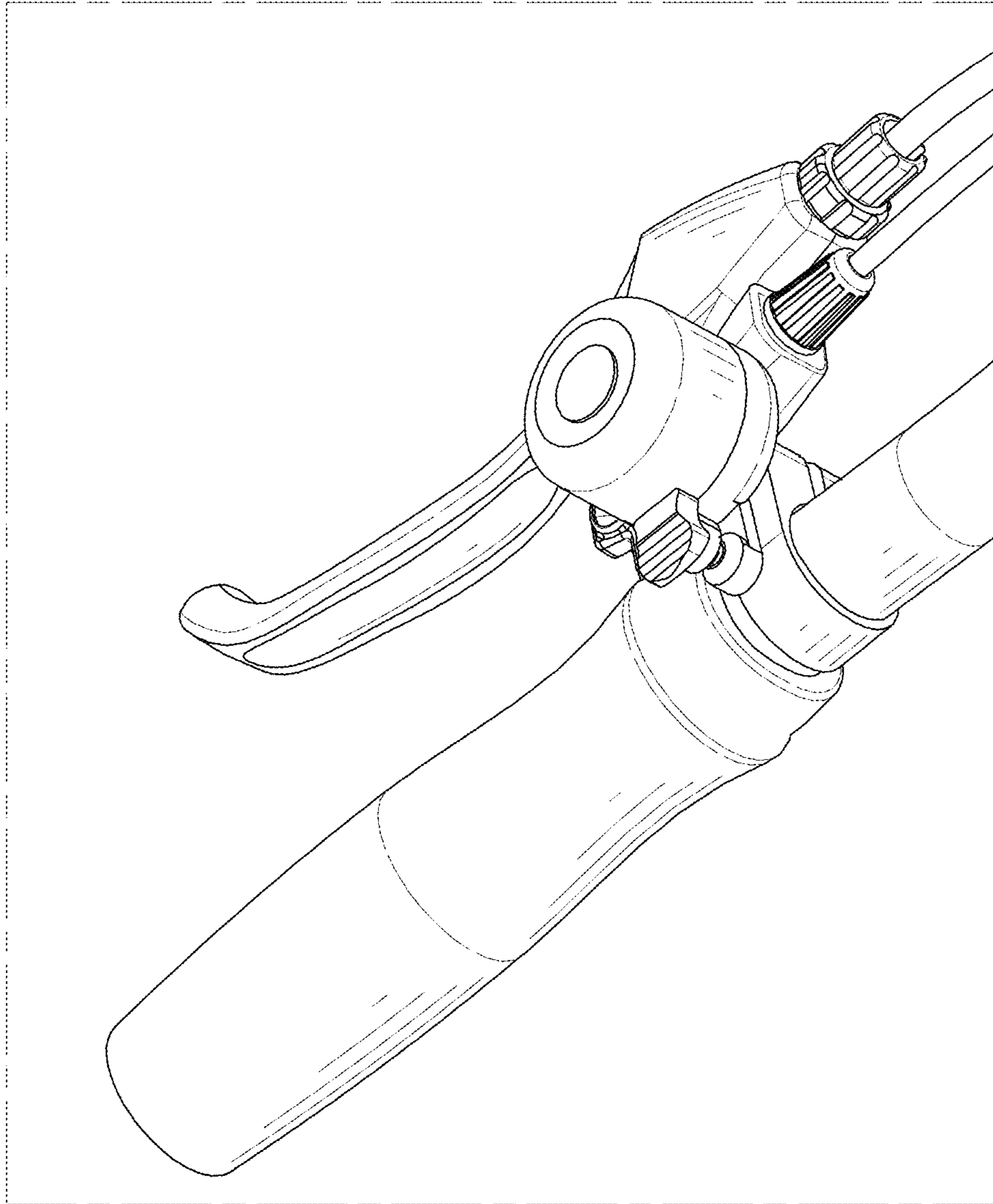


FIG. 9

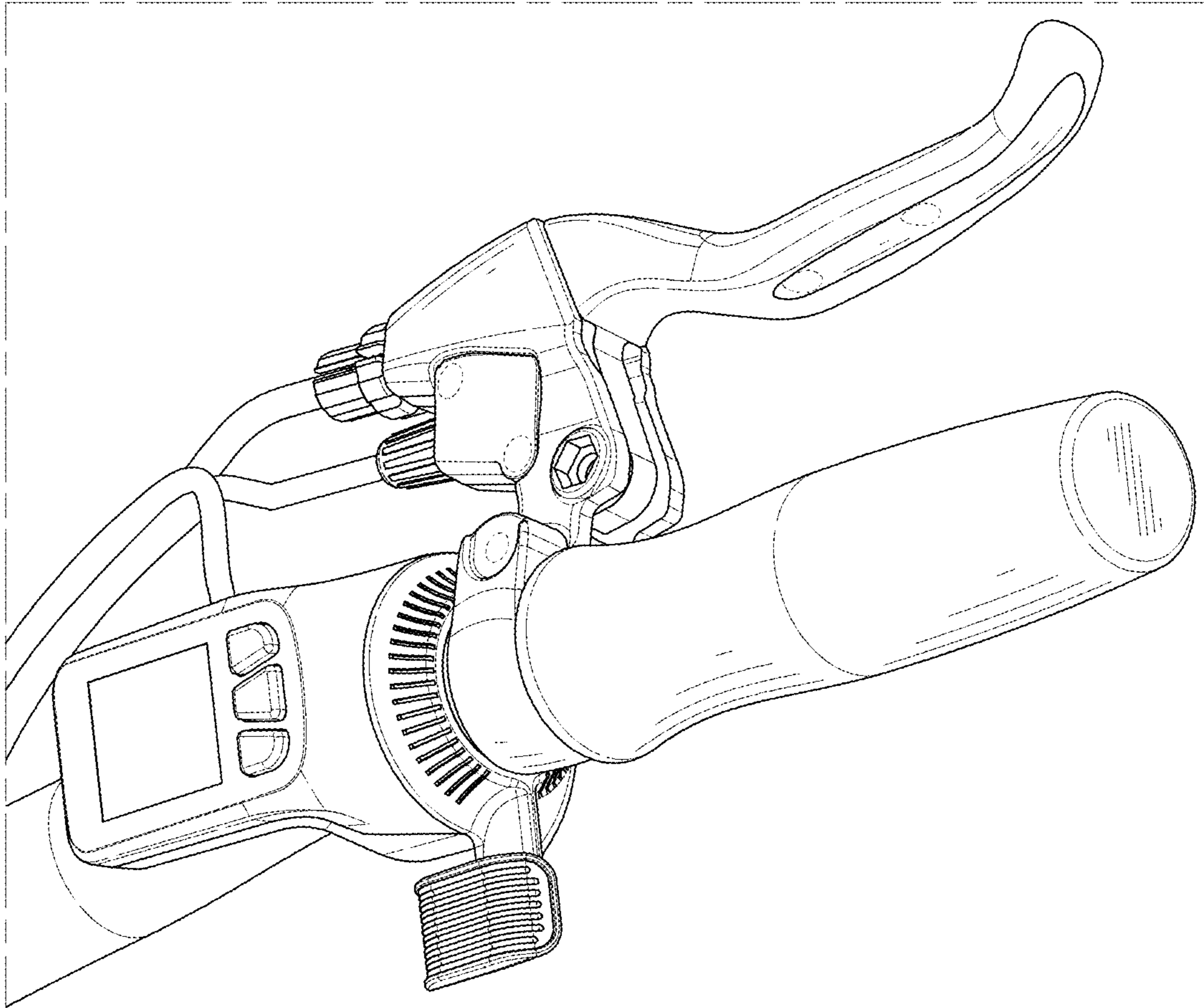


FIG. 10

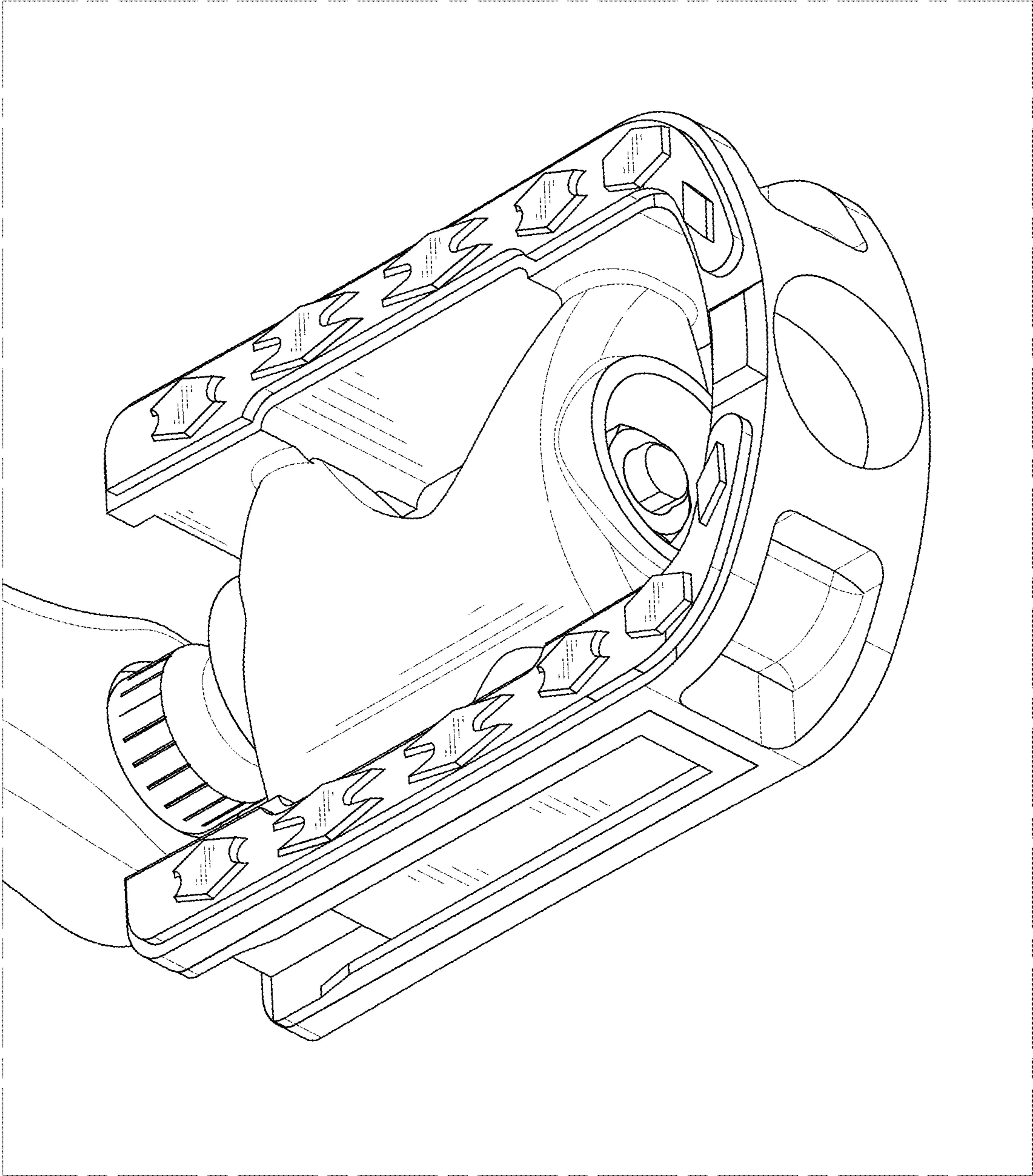


FIG. 11

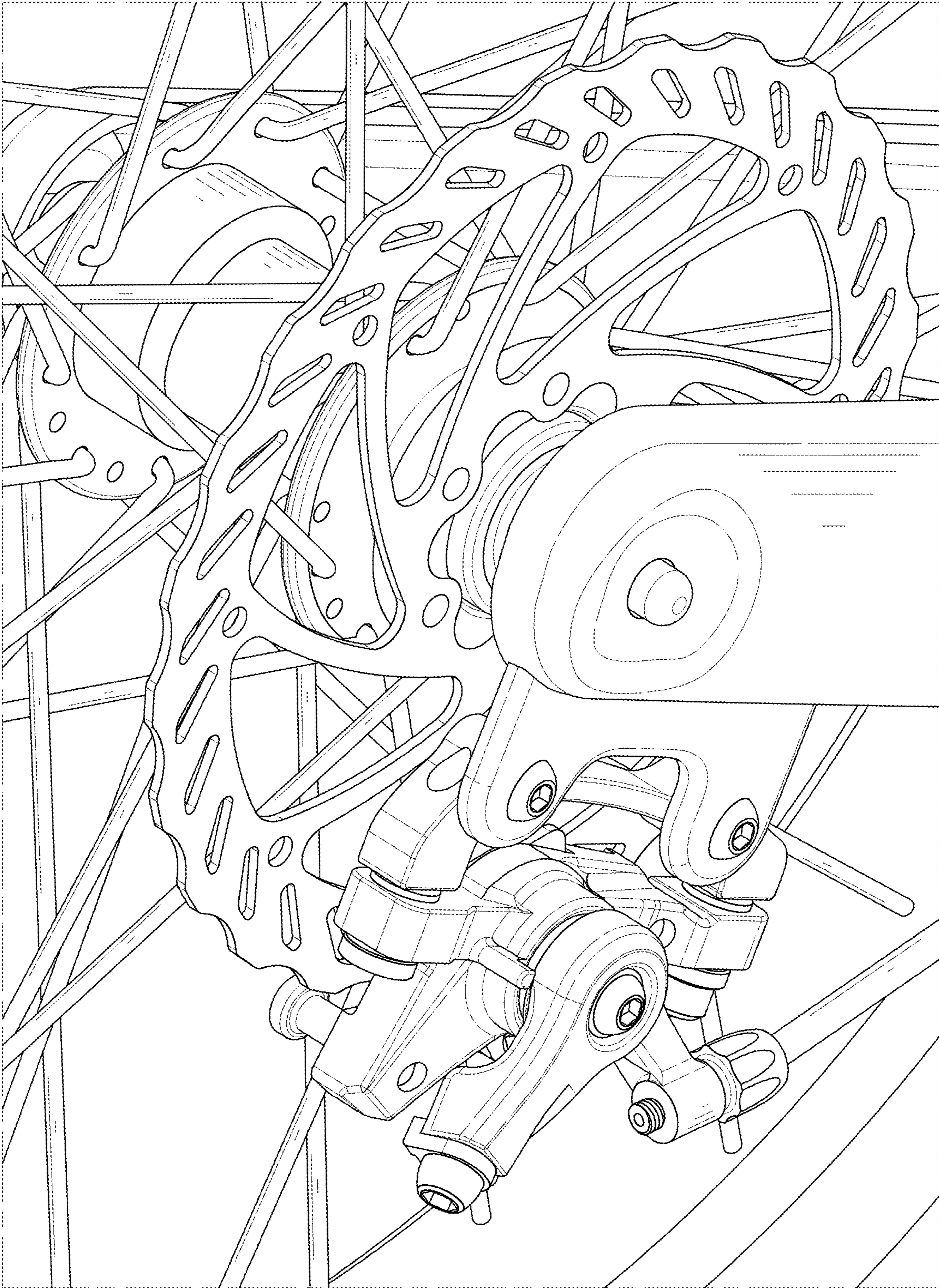


FIG. 12

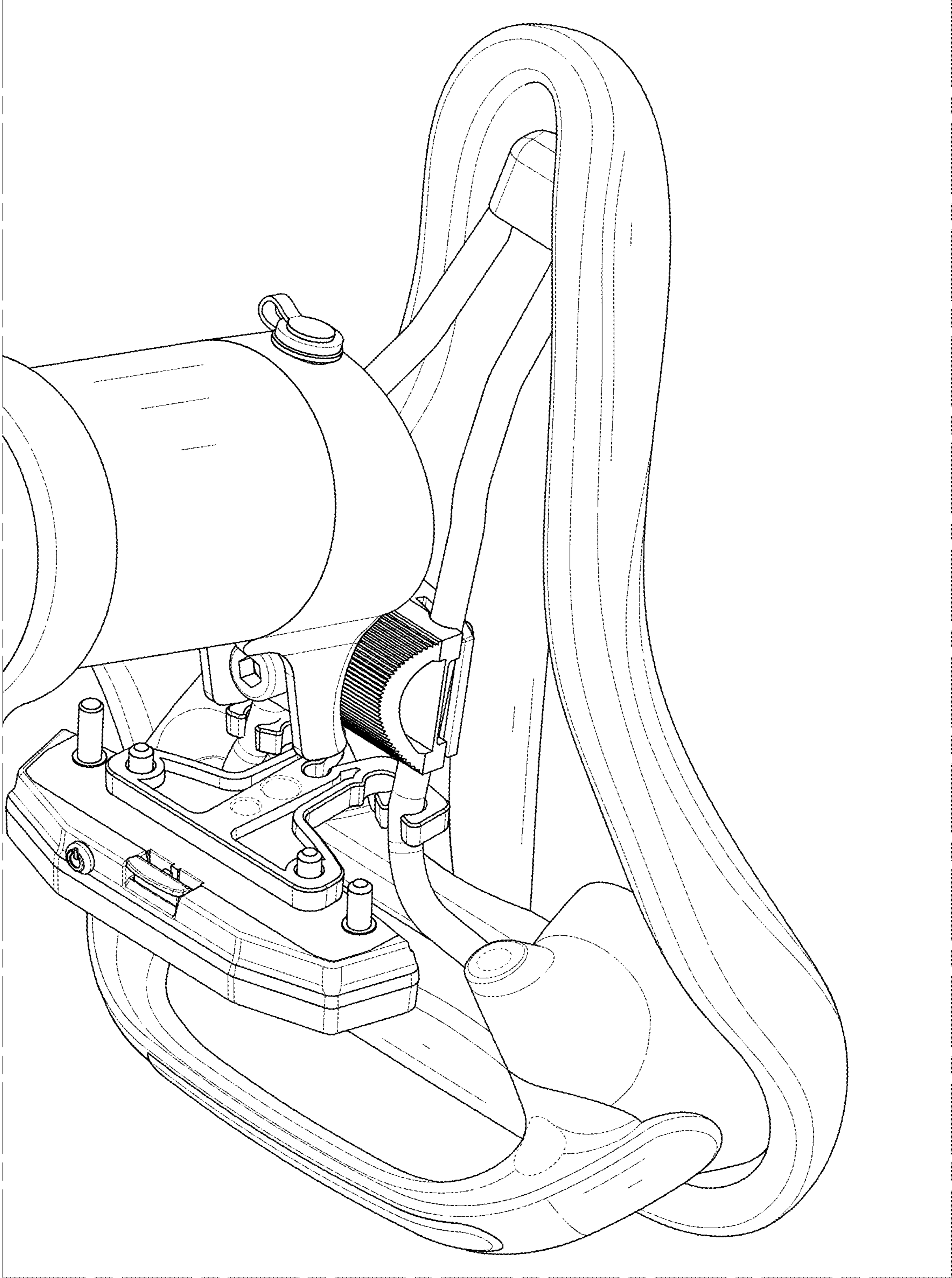


FIG. 13