



US00D988196S

(12) **United States Design Patent**
Takezaki et al.

(10) **Patent No.:** **US D988,196 S**
(45) **Date of Patent:** **** Jun. 6, 2023**

- (54) **MOTORCYCLE**
- (71) Applicant: **Yamaha Hatsudoki Kabushiki Kaisha**,
Shizuoka-ken (JP)
- (72) Inventors: **Shoichi Takezaki**, Tokyo (JP);
Yasuhiro Seki, Shizuoka-ken (JP)
- (73) Assignee: **YAMAHA HATSUDOKI**
KABUSHIKI KAISHA

(**) Term: **15 Years**

(21) Appl. No.: **29/813,496**

(22) Filed: **Oct. 29, 2021**

(30) **Foreign Application Priority Data**

Apr. 30, 2021 (JP) 2021-009238

(51) **LOC (14) Cl.** **12-11**

(52) **U.S. Cl.**
USPC **D12/110**

(58) **Field of Classification Search**
USPC D12/110, 111, 117; D21/432, 538
CPC B62K 11/00; B62K 11/02; B62K 11/04;
B62K 11/10; B62K 17/00; B62K 19/00;
B62K 2202/00

See application file for complete search history.

(56) **References Cited**

U.S. PATENT DOCUMENTS

D724,496 S *	3/2015	Takeda	D12/110
D864,794 S *	10/2019	Waters	D12/110
D864,795 S *	10/2019	Waters	D12/110
D875,614 S *	2/2020	Akita	D12/110
D885,983 S *	6/2020	Ytterborn	D12/110
D890,033 S *	7/2020	Carducci	D12/110
D907,534 S *	1/2021	Ying	D12/110
D908,540 S *	1/2021	Akita	D12/110
D933,535 S *	10/2021	Petersson	D12/110

D933,536 S *	10/2021	Petersson	D12/110
D940,599 S *	1/2022	Chambers	D12/110
D950,422 S *	5/2022	Sondors	D12/110
D956,630 S *	7/2022	Ito	D12/110
D958,701 S *	7/2022	Tsuji	D12/110
11,453,457 B2 *	9/2022	Kugele	B62J 1/08
2013/0081894 A1 *	4/2013	Ishikawa	B62M 7/04
				180/220
2014/0305729 A1 *	10/2014	Testoni	B62J 43/16
				180/220
2014/0367184 A1 *	12/2014	Matsuda	B60L 50/51
				180/220
2015/0122568 A1 *	5/2015	Eguchi	B62K 11/04
				180/220

(Continued)

OTHER PUBLICATIONS

“2020 Model Information—Kawasaki KLX230.” Kawasaki., Apr. 25, 2019 [online], [retrieved on Sep. 27, 2022]. Retrieved from the Internet <URL: https://kawasaki.co.nz/wp-content/uploads/2019/06/20_KLX230_Model-Information.pdf>.*

(Continued)

Primary Examiner — Darlington Ly
(74) *Attorney, Agent, or Firm* — Ostrolenk Faber LLP

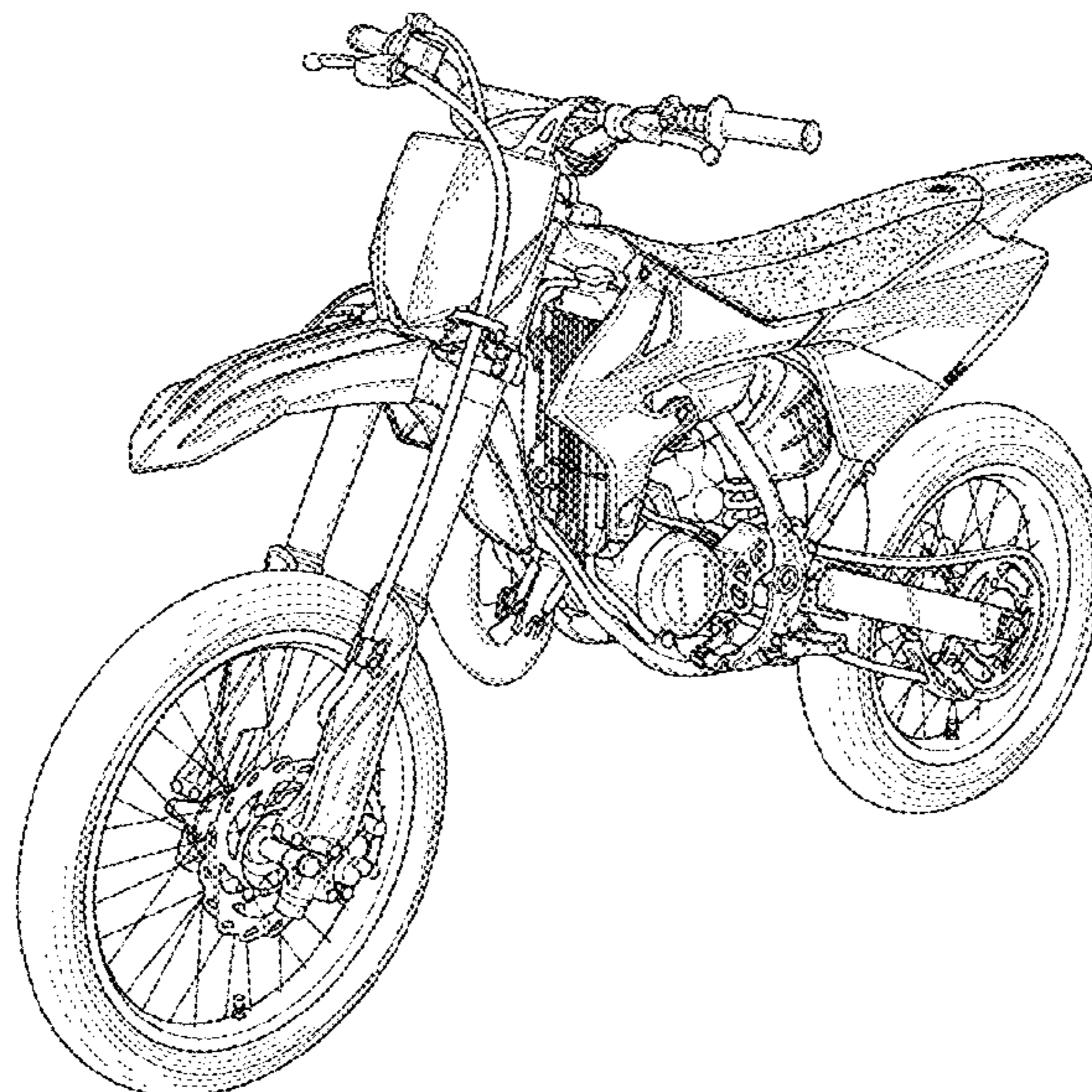
(57) **CLAIM**

The ornamental design for a motorcycle, as shown.

DESCRIPTION

FIG. 1 is a left side, front, perspective view of a motorcycle showing our new design;
FIG. 2 is a right side, rear, perspective view thereof;
FIG. 3 is a front elevation view thereof;
FIG. 4 is a rear elevation view thereof;
FIG. 5 is a right side elevation view thereof;
FIG. 6 is a left side elevation view thereof;
FIG. 7 is a top plan view thereof; and,
FIG. 8 is a bottom plan view thereof.

1 Claim, 8 Drawing Sheets



(56)

References Cited

U.S. PATENT DOCUMENTS

2018/0127055 A1* 5/2018 Ran B60K 7/0007
2020/0172196 A1* 6/2020 Futamata B62K 25/04
2021/0354774 A1* 11/2021 Kugele B60L 50/66

OTHER PUBLICATIONS

“2018 MX Bike Buyer’s Guide.” *Dirt Bike Magazine.*, Jan. 2, 2018 [online], [retrieved on Sep. 27, 2022]. Retrieved from the Internet <URL: <https://dirtbikemagazine.com/2018-mx-bike-buyers-guide/>>.*

“DB10SA.” Tao Tao Motor., Oct. 20, 2020 [online], [retrieved on Sep. 27, 2022]. Retrieved from the Internet <URL: <http://www.taotaomotor.com/product/db10sa/>>.*

“Yamaha YZ125X Off-Road 2-Stroke: Full Test.” *Dirt Bike Magazine.*, Apr. 20, 2020 [online], [retrieved on Sep. 27, 2022]. Retrieved from the Internet <URL: <https://dirtbikemagazine.com/yamaha-yz125x-off-road-2-stroke-full-test/>>.*

Yamaha Revs Your Heart, Cross-country Enduro 2017 model, “The Real Light Enduro” YZ125X released. *Yamaha Motor Co.* (Jul. 10, 2016) <https://global.yamaha-motor.com/jp/news/2016/0610/yz-enduro.html>.

* cited by examiner

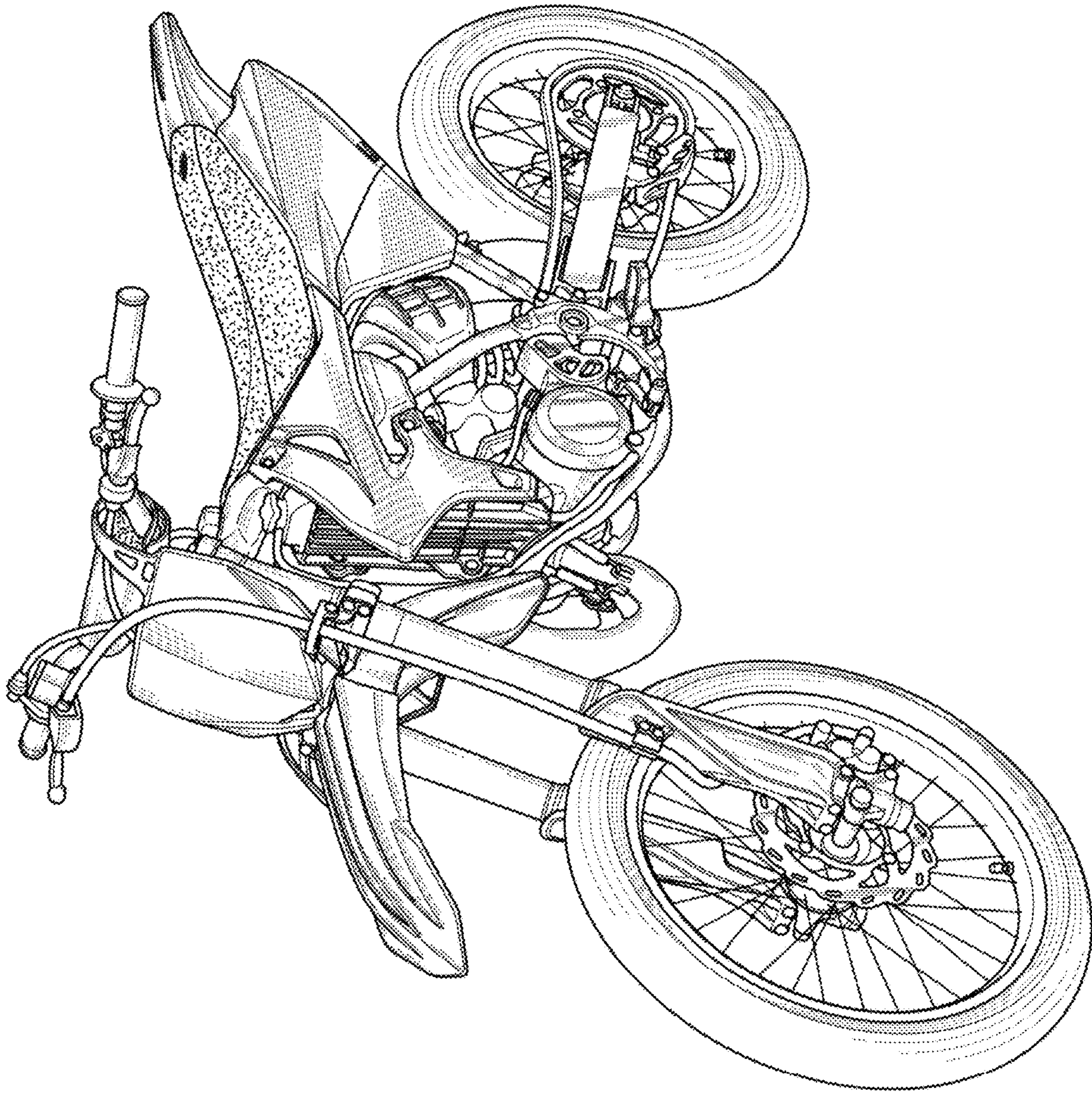


FIG. 1

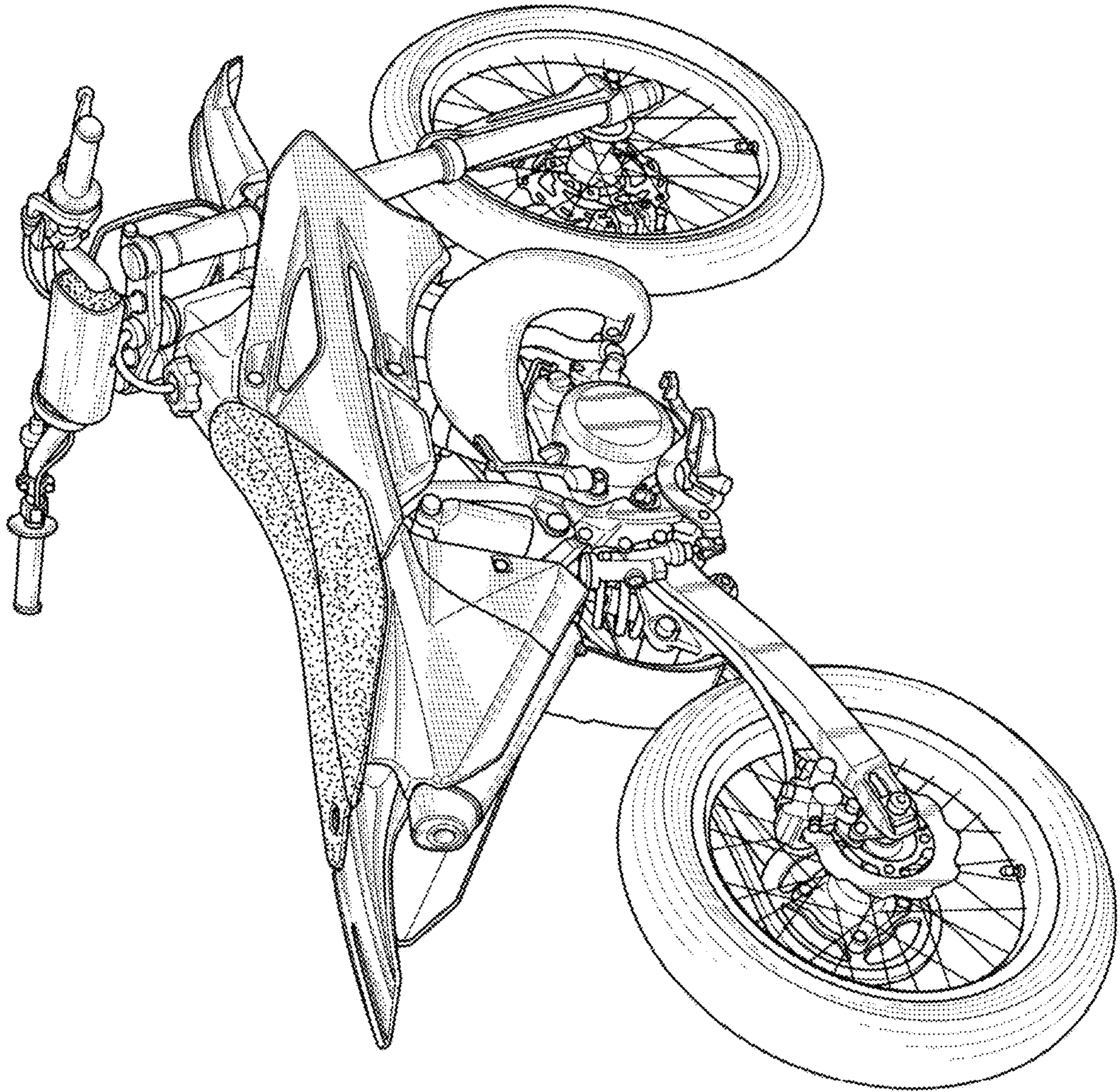


FIG. 2

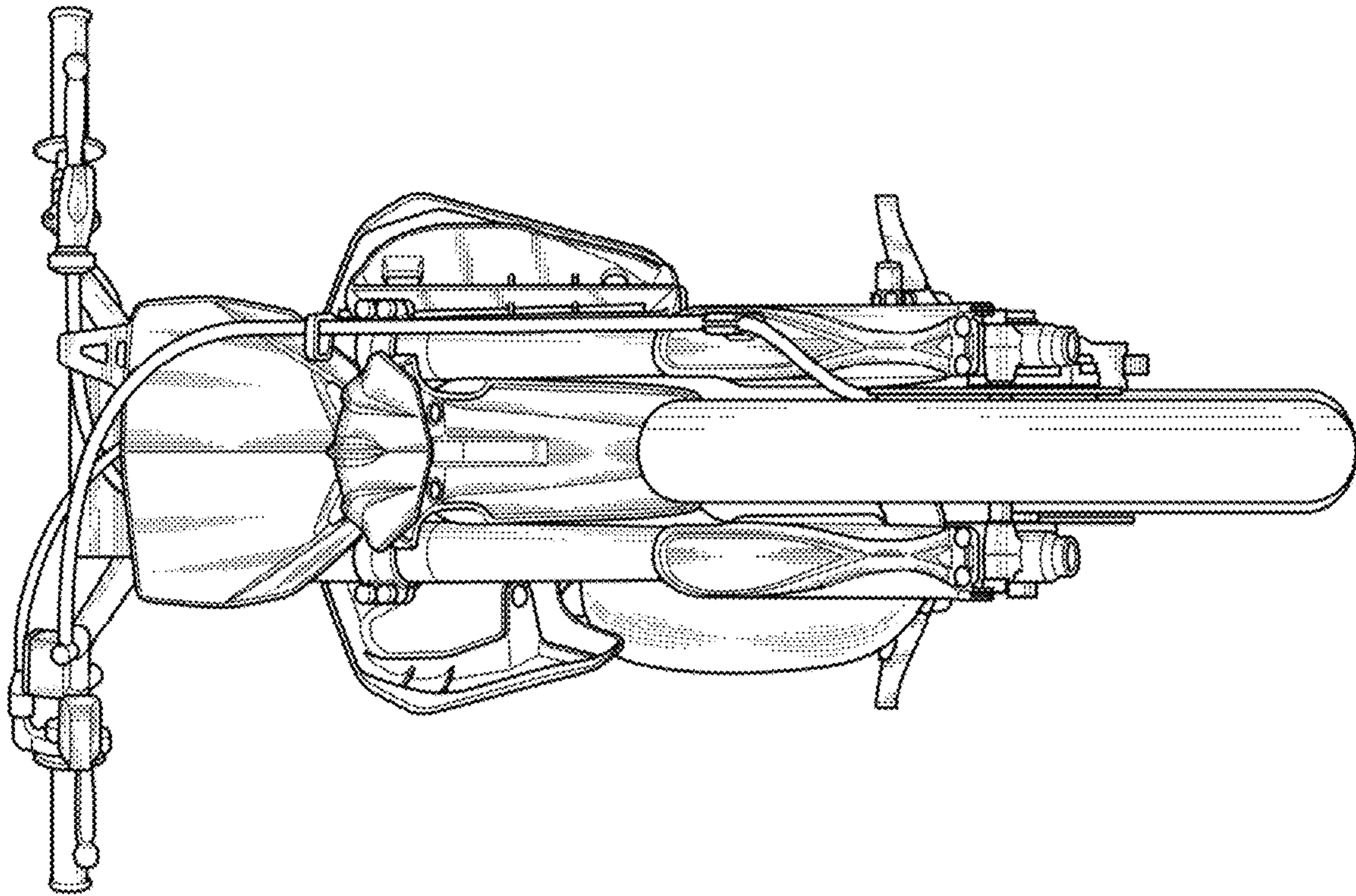


FIG. 3

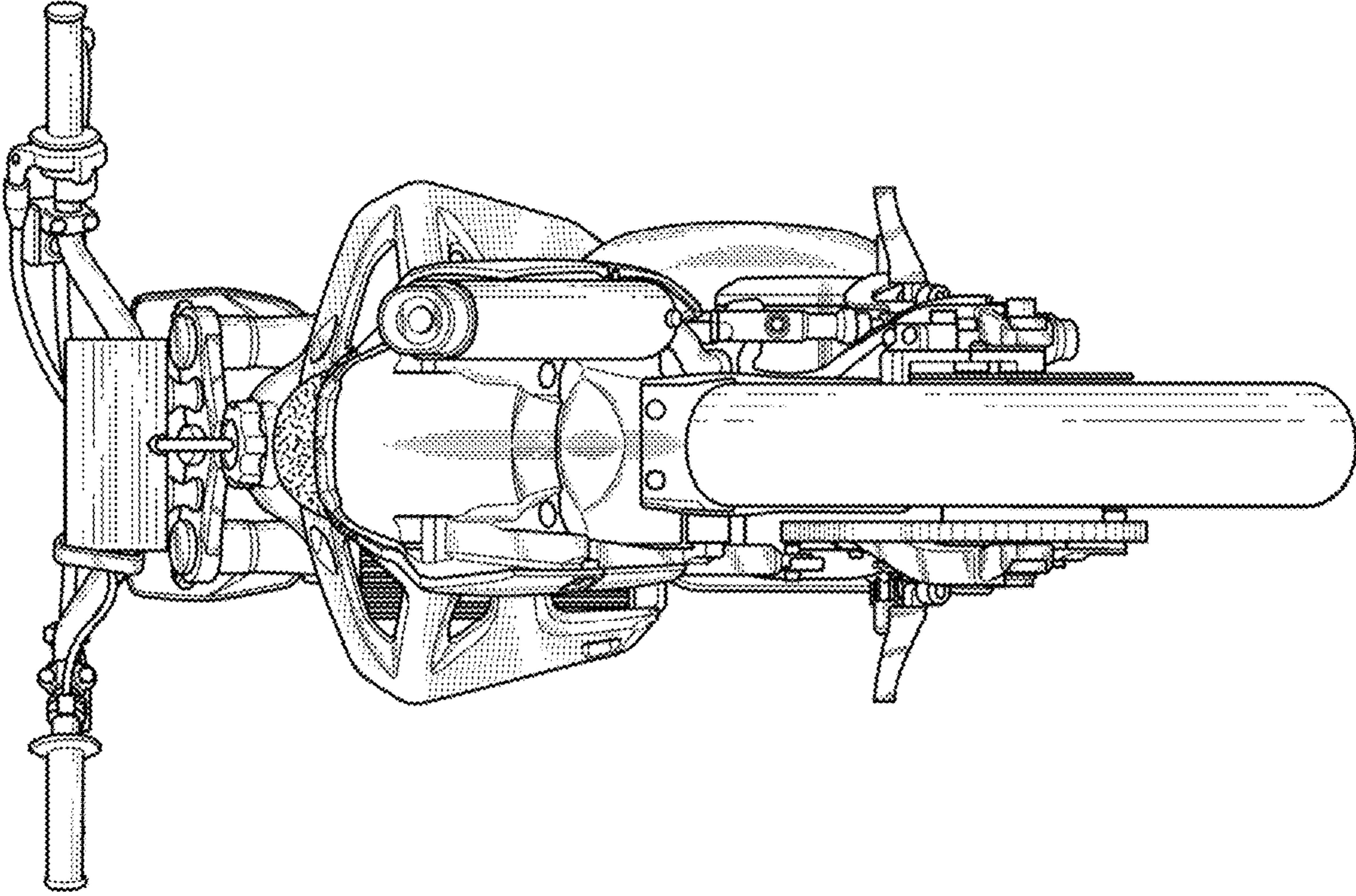


FIG. 4

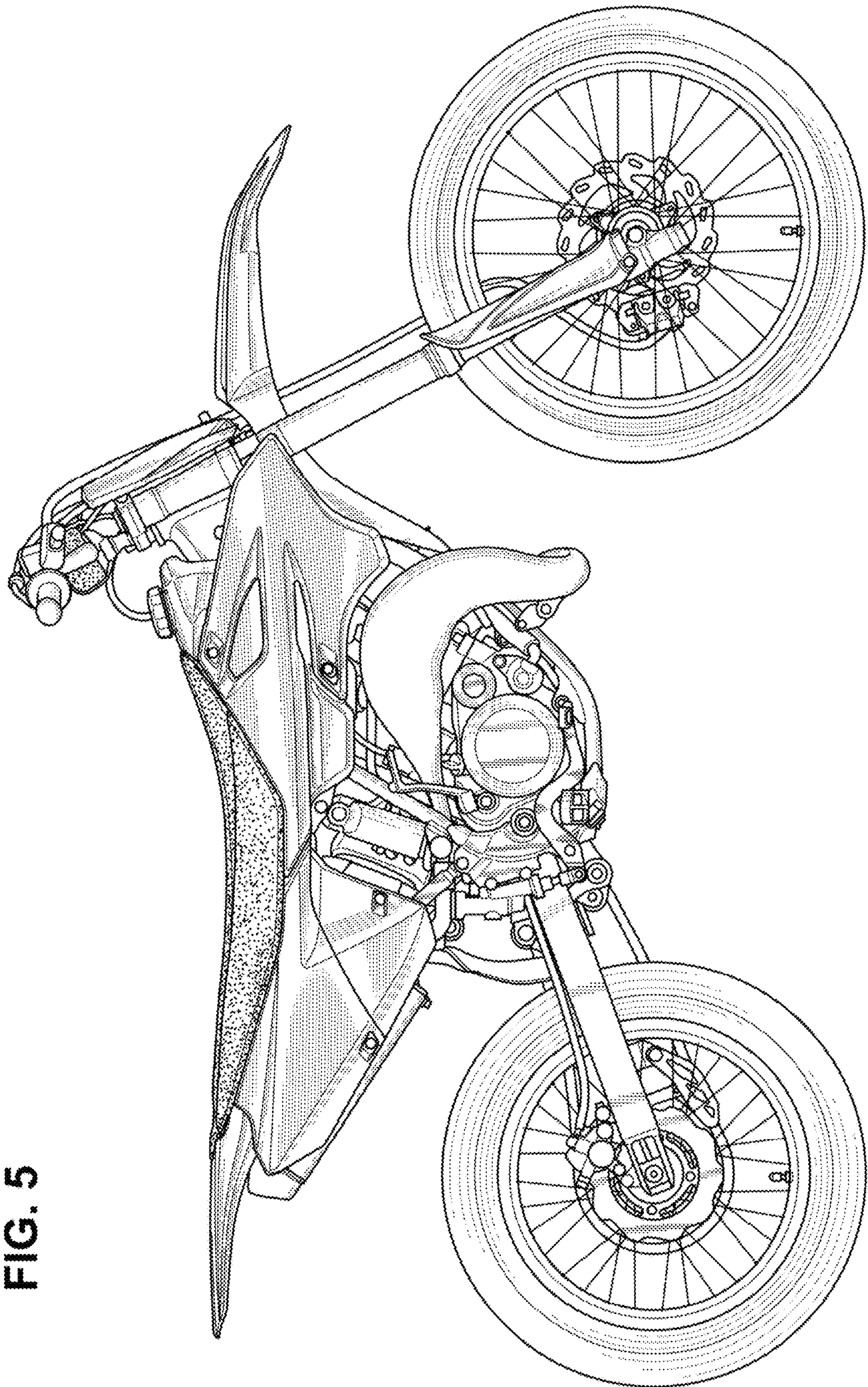


FIG. 5

FIG. 6

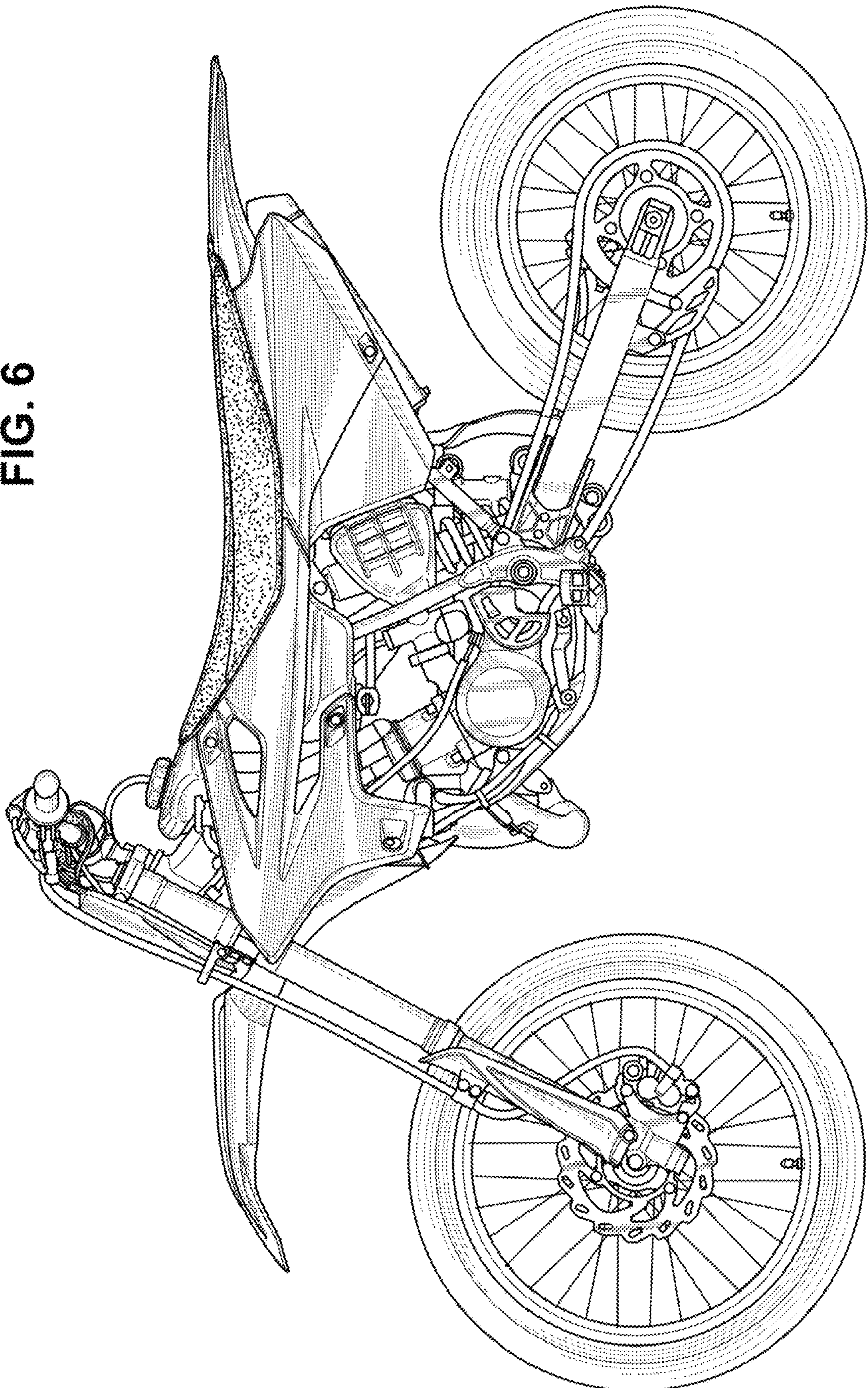
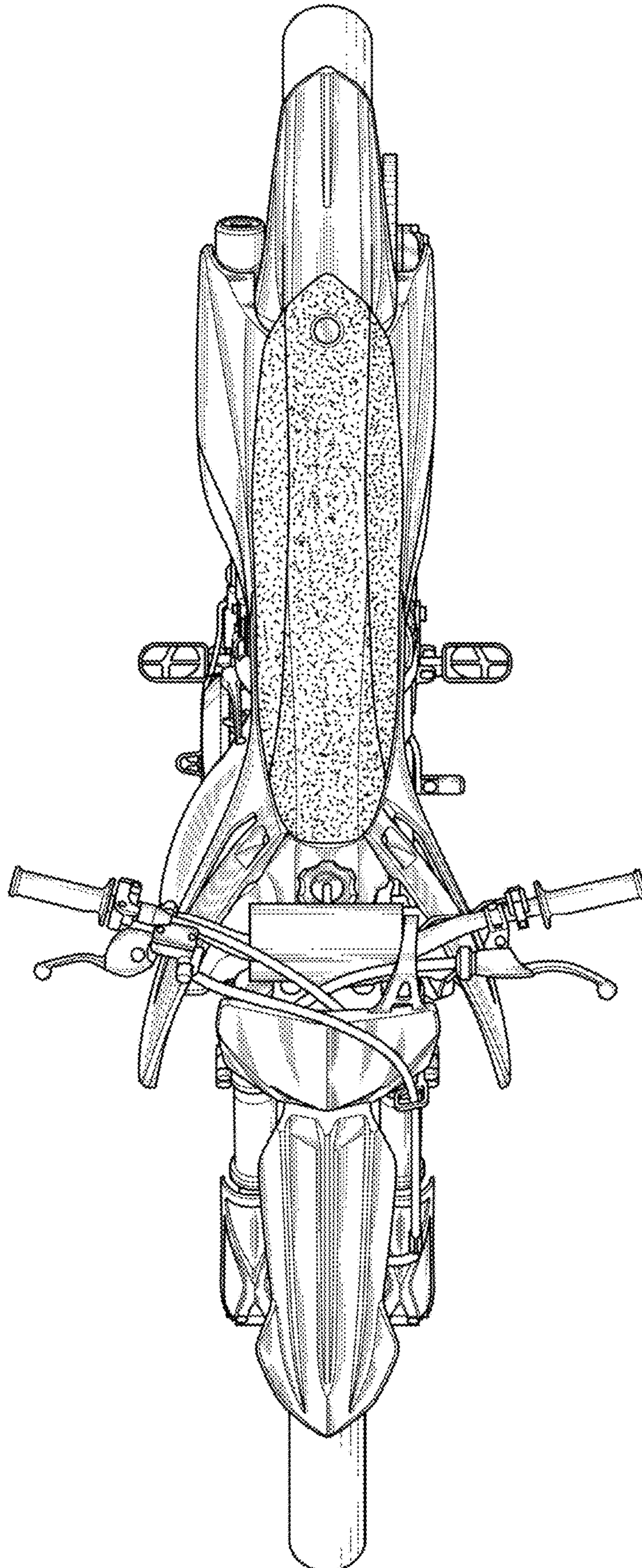


FIG. 7



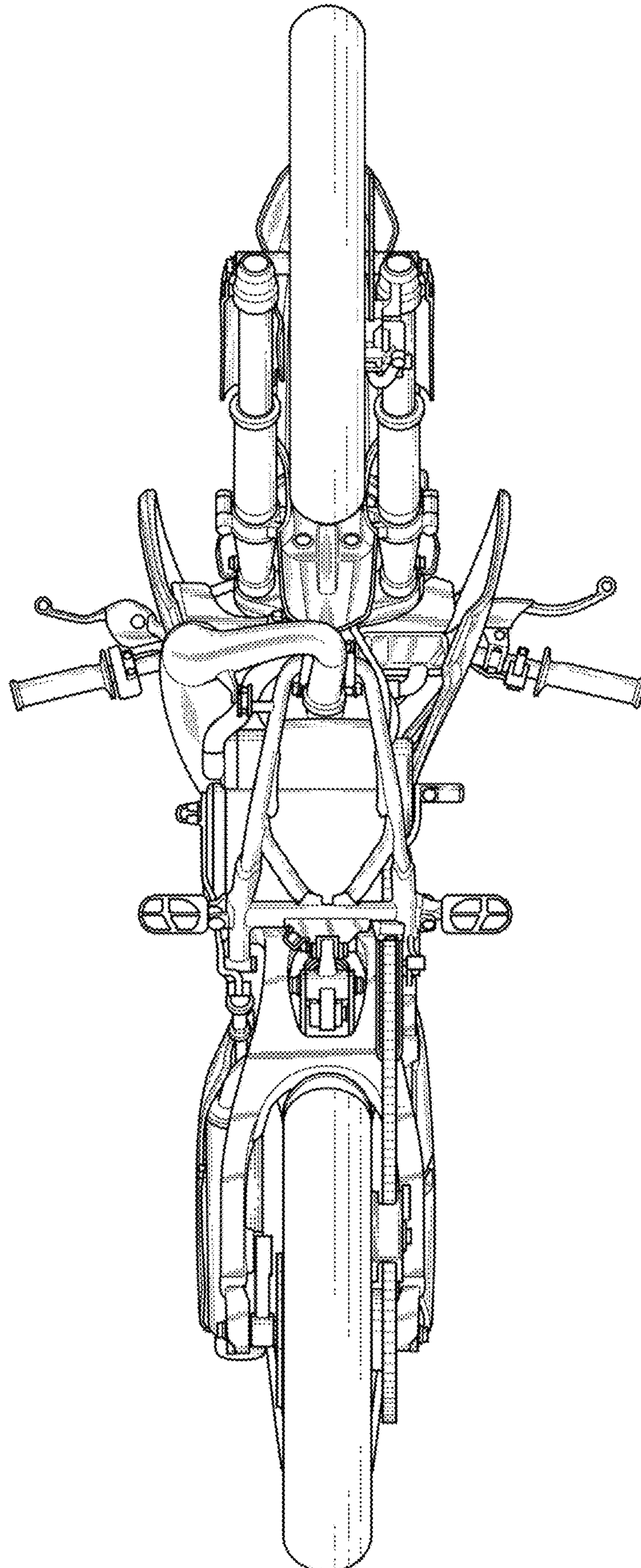


FIG. 8