



US00D988195S

(12) **United States Design Patent**
Lou et al.

(10) **Patent No.:** **US D988,195 S**
(45) **Date of Patent:** **** Jun. 6, 2023**

(54) **ALL TERRAIN VEHICLE**
(71) Applicant: **ZHEJIANG TAOTAO VEHICLES CO., LTD.,** Lishui (CN)
(72) Inventors: **Guidong Lou,** Lishui (CN); **Hongxia Zhu,** Lishui (CN); **Weihao Liu,** Lishui (CN)
(73) Assignee: **ZHEJIANG TAOTAO VEHICLES CO., LTD.,** Lishui (CN)
(**) Term: **15 Years**
(21) Appl. No.: **29/769,319**
(22) Filed: **Feb. 4, 2021**

D480,991 S * 10/2003 Rondeau D12/107
D492,916 S * 7/2004 Rondeau D12/107
D493,750 S * 8/2004 Crepeau D12/107
D496,308 S * 9/2004 Wu D12/107
D511,717 S * 11/2005 Lin D12/107
D513,718 S * 1/2006 Itaya D12/107
D516,467 S * 3/2006 Wu D12/107
D517,951 S * 3/2006 Luh D12/107
D517,952 S * 3/2006 Luh D12/107
D518,759 S * 4/2006 Kettler D12/107
D520,912 S * 5/2006 Knight D12/107
D520,914 S * 5/2006 Luh D12/107
D522,924 S * 6/2006 Yokoyama D12/107
D523,782 S * 6/2006 Lin D12/107
D529,414 S * 10/2006 Wu D12/107
D531,088 S * 10/2006 Lin D12/107
D532,339 S * 11/2006 Hishiki D12/107
D539,705 S * 4/2007 Ichikawa D12/107
D542,186 S * 5/2007 Lai D12/107
D542,188 S * 5/2007 Miwa D12/107

(Continued)

(30) **Foreign Application Priority Data**

Sep. 7, 2020 (CN) 202030524347.2

(51) **LOC (14) Cl.** **12-11**

(52) **U.S. Cl.**
USPC **D12/107**

(58) **Field of Classification Search**
USPC D12/3, 86, 87, 107, 110
CPC B60K 5/12; B60K 13/04; B60K 17/354
See application file for complete search history.

(56) **References Cited**

U.S. PATENT DOCUMENTS

D297,132 S * 8/1988 Ryuzoji D12/107
D298,811 S * 12/1988 Morita D12/107
D305,999 S * 2/1990 Ueda D12/107
D374,416 S * 10/1996 Miyamoto D12/107
D383,095 S * 9/1997 Miyamoto D12/107
D405,029 S * 2/1999 Deutschman D12/107
D421,935 S * 3/2000 Fujieda D12/107
D428,363 S * 7/2000 Sugimoto D12/107
D429,663 S * 8/2000 Tamashima D12/107
D436,559 S * 1/2001 Fujieda D12/107

Primary Examiner — Darlington Ly

(74) *Attorney, Agent, or Firm* — Schwegman Lundberg & Woessner, P.A.

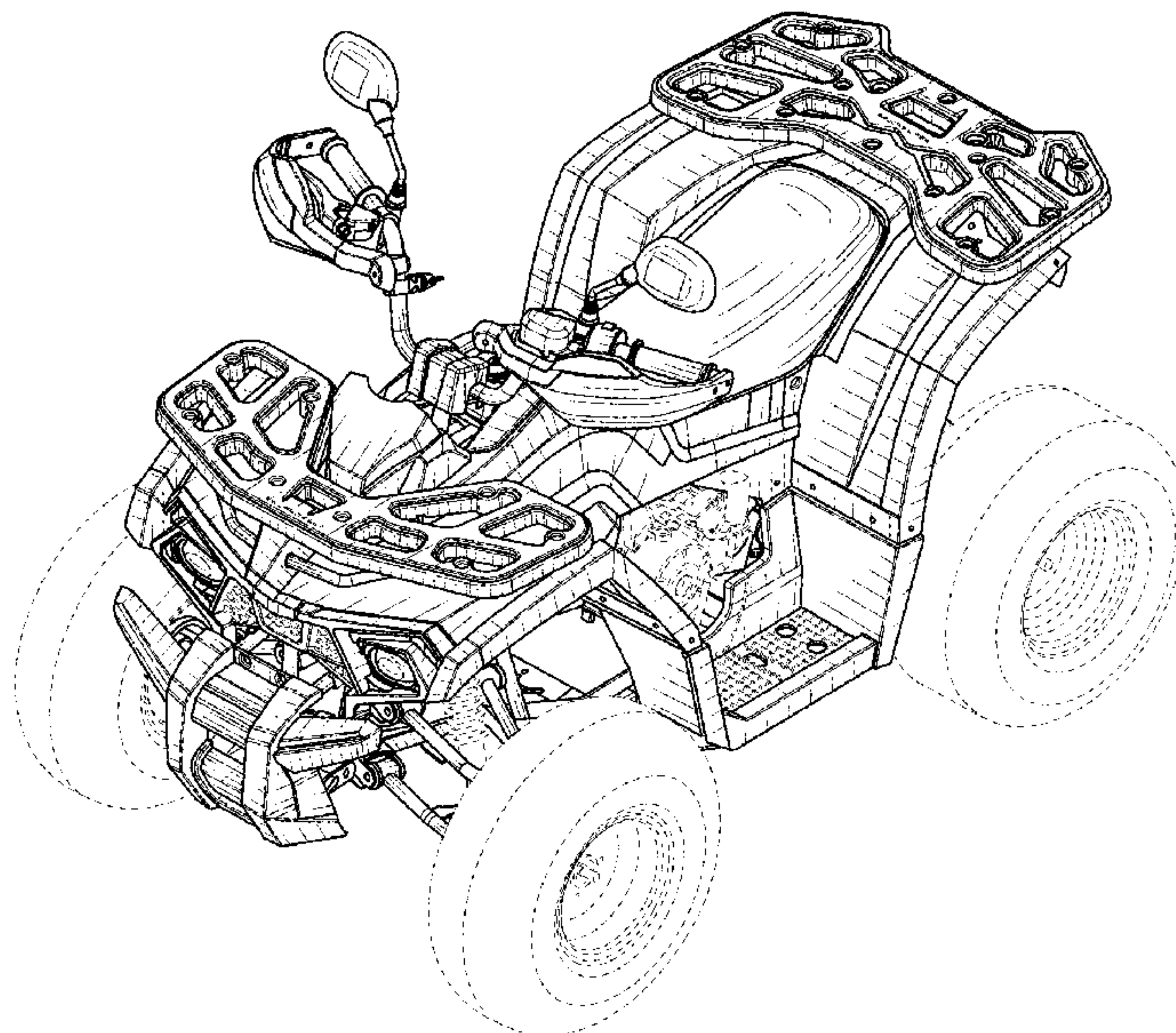
(57) **CLAIM**

The ornamental design for an all terrain vehicle, as shown and described.

DESCRIPTION

FIG. 1 is a front perspective view of an all-terrain vehicle embodying our new design;
FIG. 2 is a rear perspective view thereof;
FIG. 3 is a front elevation view thereof;
FIG. 4 is a rear elevation view thereof;
FIG. 5 is a left-side elevation view thereof;
FIG. 6 is a right-side elevation view thereof; and,
FIG. 7 is a top plan view thereof.
The portions of the all terrain vehicle shown in broken lines form no part of the claimed design.

1 Claim, 7 Drawing Sheets



(56)

References Cited

U.S. PATENT DOCUMENTS

D561,064 S * 2/2008 Crepeau D12/107
 D584,661 S * 1/2009 Tanaka D12/107
 D585,792 S * 2/2009 Chao D12/107
 D592,556 S * 5/2009 Mehra D12/107
 D592,557 S * 5/2009 Mehra D12/107
 D595,188 S * 6/2009 Tandrup D12/107
 D596,080 S * 7/2009 Lai D12/107
 D597,890 S * 8/2009 Lai D12/107
 D599,250 S * 9/2009 Hirano D12/107
 D599,251 S * 9/2009 Yin D12/107
 D606,905 S * 12/2009 Yao D12/107
 D609,136 S * 2/2010 Renchuan D12/107
 D620,399 S * 7/2010 Wu D12/107
 D628,520 S * 12/2010 Lin D12/107
 D638,755 S * 5/2011 Bracy D12/107
 D640,604 S * 6/2011 Lai D12/107
 D640,605 S * 6/2011 Lai D12/107

D643,781 S * 8/2011 Nagao D12/107
 D657,720 S * 4/2012 Eck D12/107
 D657,721 S * 4/2012 Miyanishi D12/107
 D668,184 S * 10/2012 Tashiro D12/107
 D671,037 S * 11/2012 Wu D12/107
 D674,728 S * 1/2013 Matsumura D12/107
 D680,468 S * 4/2013 Li D12/107
 D680,469 S * 4/2013 Li D12/107
 D691,519 S * 10/2013 Fisher D12/107
 D694,671 S * 12/2013 Lai D12/107
 8,596,398 B2 * 12/2013 Bennett B60G 3/20
 180/90.6
 D721,300 S * 1/2015 Li D12/107
 D735,615 S * 8/2015 Itaya D12/107
 D751,467 S * 3/2016 Lai D12/107
 D761,698 S * 7/2016 Umemoto D12/87
 D774,955 S * 12/2016 Lai D12/107
 D774,957 S * 12/2016 Umemoto D12/107
 2014/0262584 A1 * 9/2014 Lovold B60K 17/354
 180/246

* cited by examiner

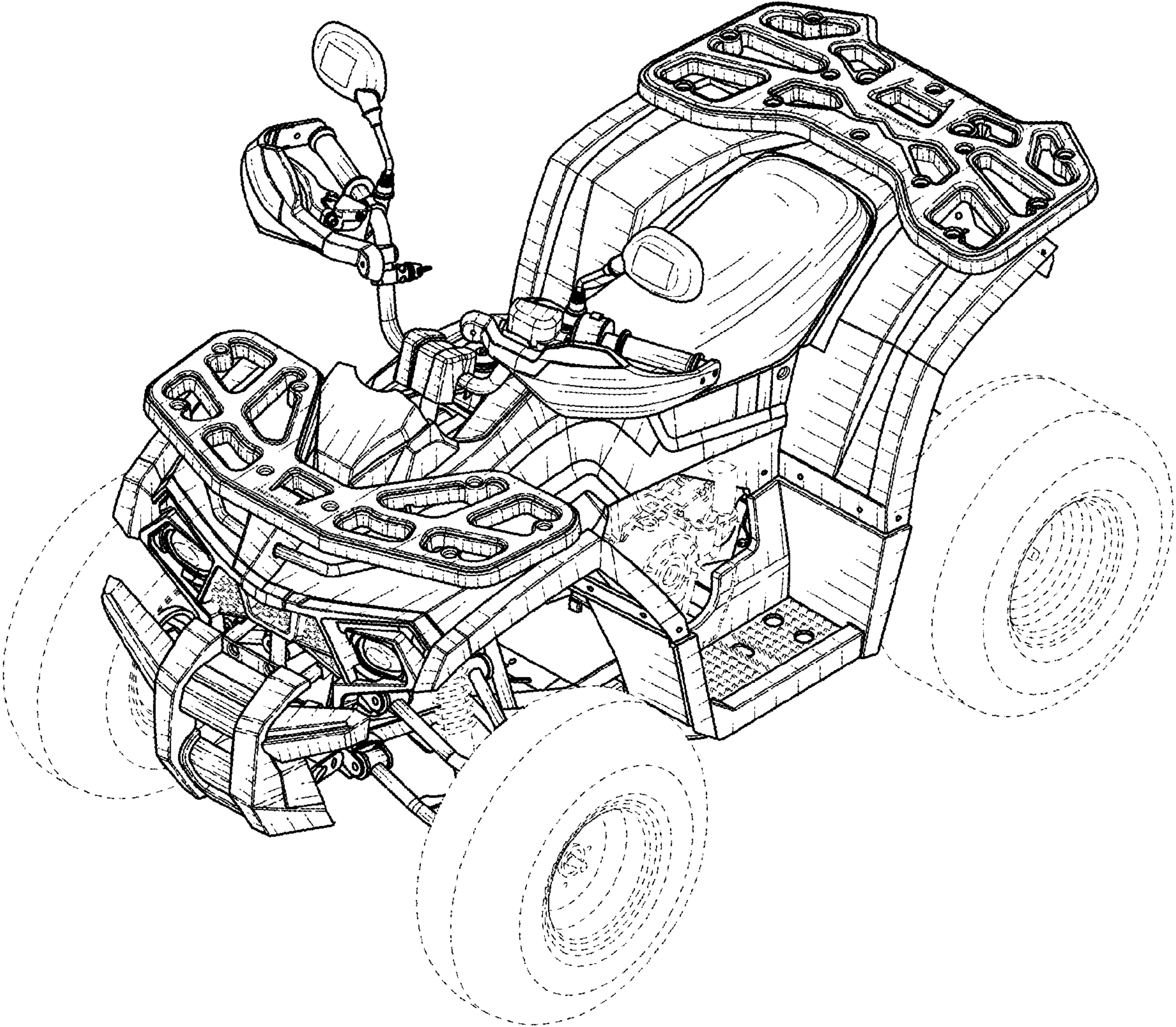


FIG. 1

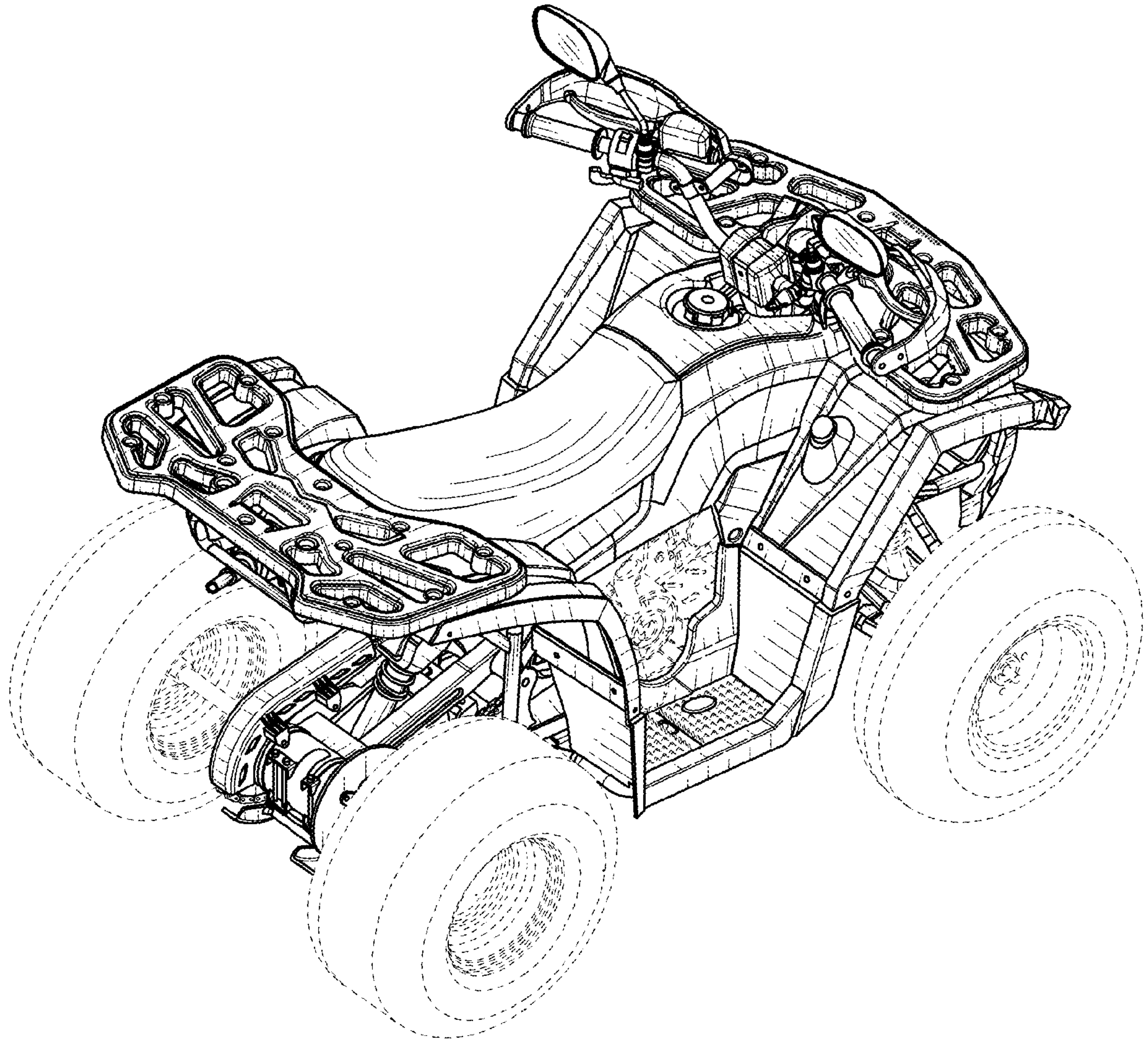


FIG. 2

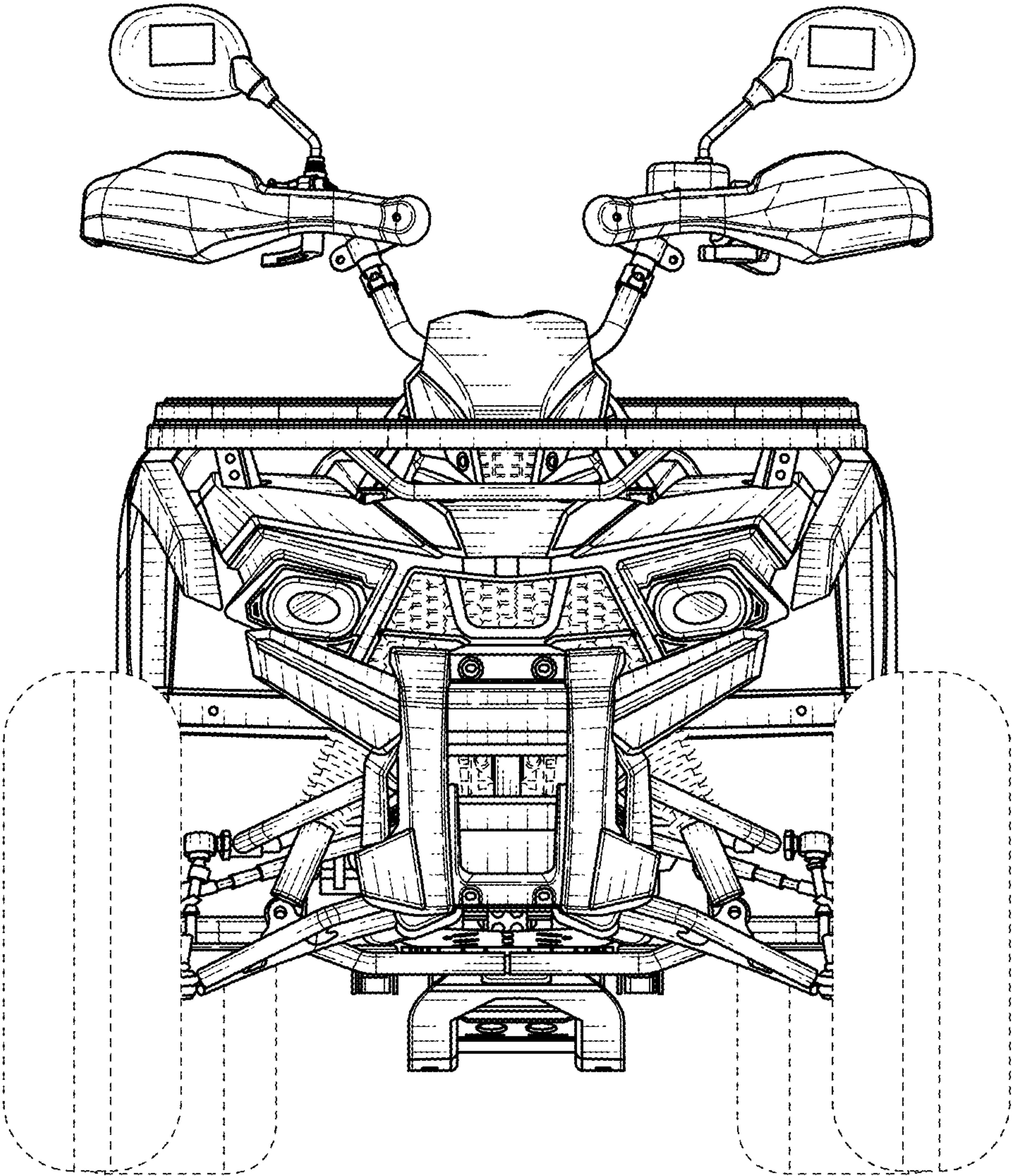


FIG. 3

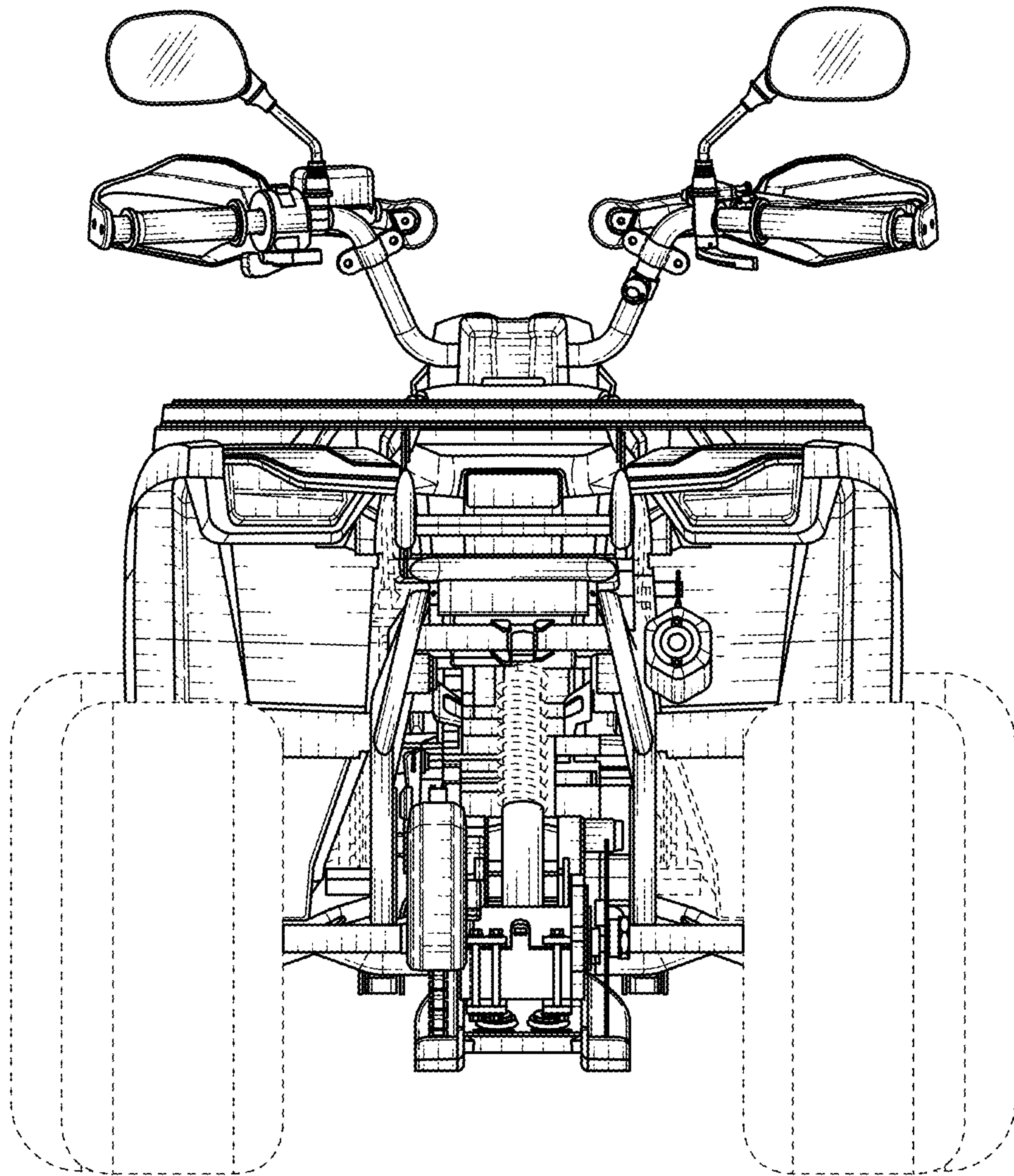


FIG. 4

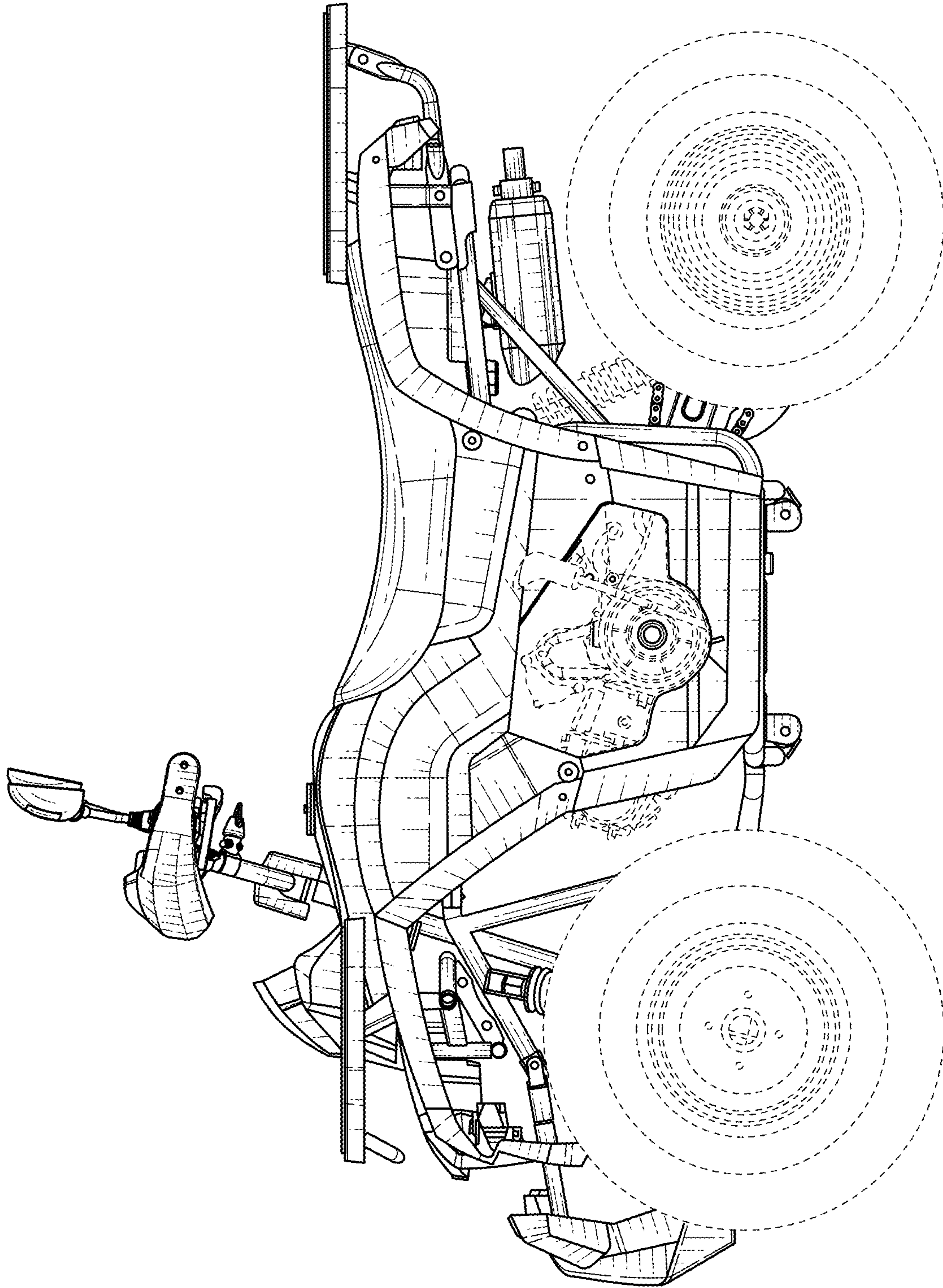


FIG. 5

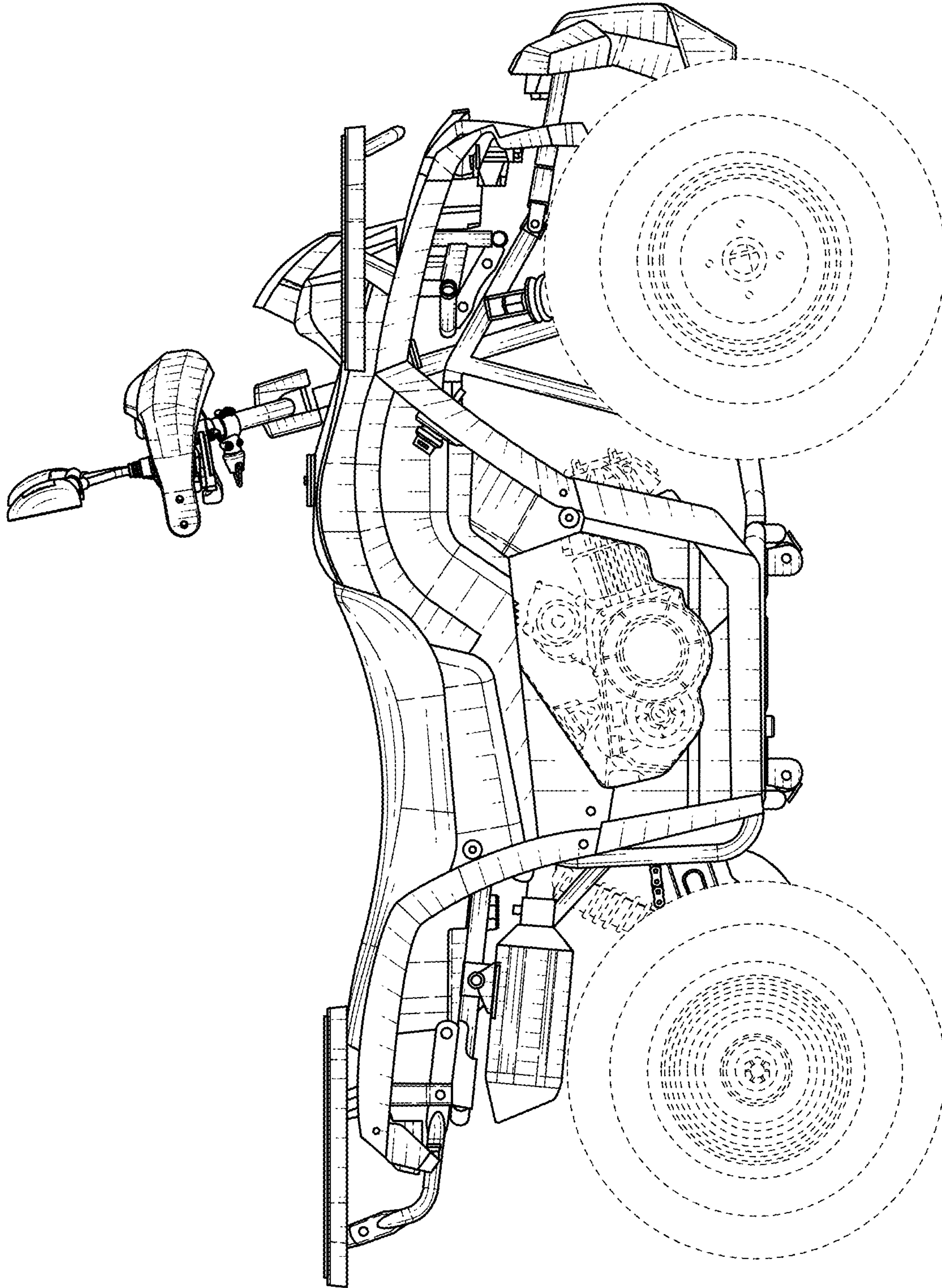


FIG. 6

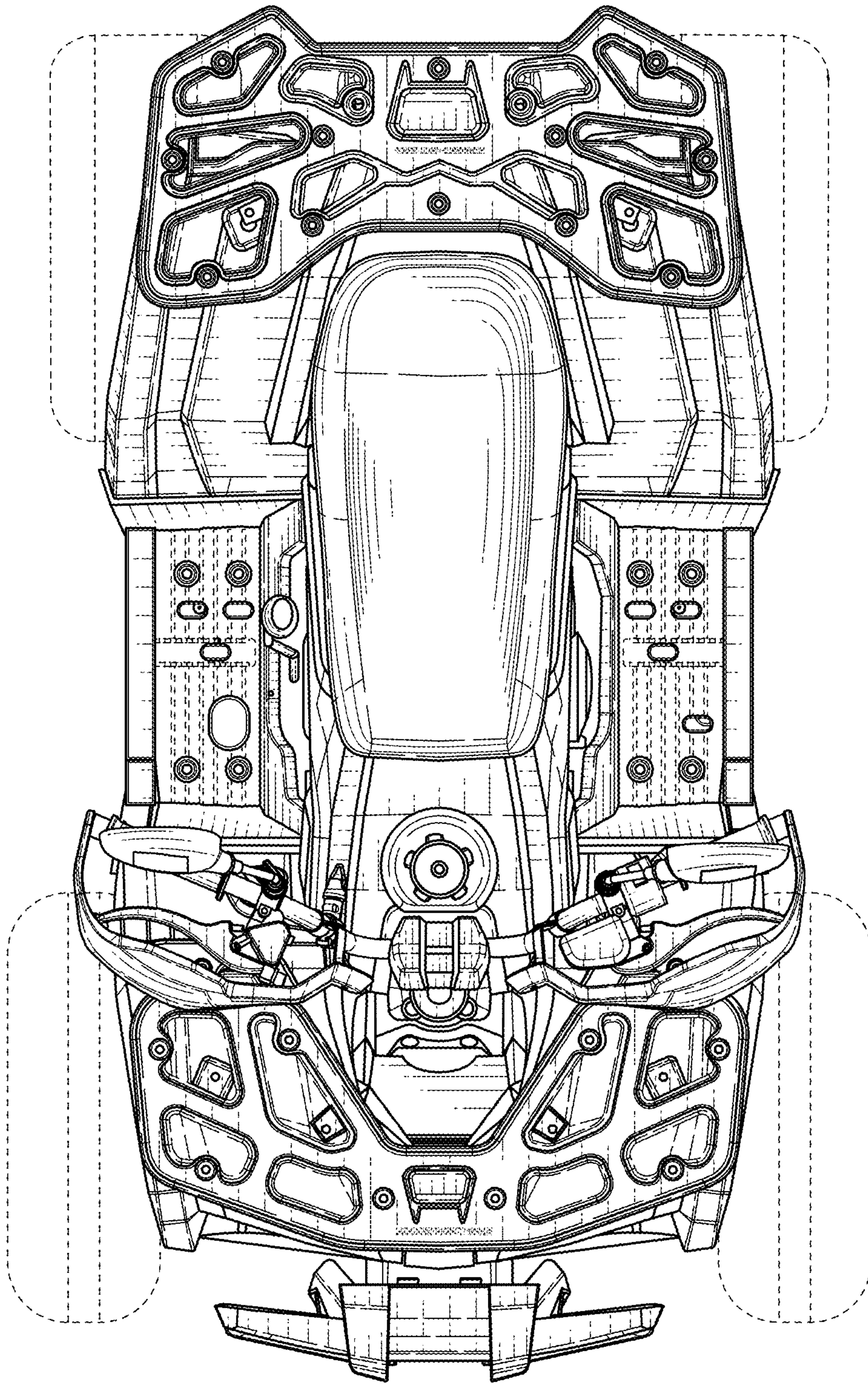


FIG. 7