



US00D988192S

(12) **United States Design Patent** (10) **Patent No.:** **US D988,192 S**
Grand (45) **Date of Patent:** **** Jun. 6, 2023**

(54) **BOTTOM PORTION OF A MOTOR VEHICLE BODY**

(71) Applicant: **Jaguar Land Rover Limited**, Whitley Coventry (GB)

(72) Inventor: **Simon Grand**, Whitley Coventry (GB)

(73) Assignee: **Jaguar Land Rover Limited**, Whitley Coventry (GB)

(**) Term: **15 Years**

(21) Appl. No.: **29/845,808**

(22) Filed: **Jul. 11, 2022**

Related U.S. Application Data

(62) Division of application No. 29/770,359, filed on Feb. 11, 2021, now Pat. No. Des. 958,001, which is a division of application No. 29/721,811, filed on Jan. 23, 2020, now Pat. No. Des. 911,877, which is a division of application No. 29/656,078, filed on Jul. 10, 2018, now Pat. No. Des. 875,603.

Foreign Application Priority Data

(30) Jan. 12, 2018 (EM) 004663893
Jan. 25, 2018 (EM) 004680825
Apr. 25, 2018 (EM) 005248580
Jul. 5, 2018 (EM) 005435013

(51) **LOC (14) Cl.** **12-08**

(52) **U.S. Cl.**
USPC **D12/91**

(58) **Field of Classification Search**
USPC D12/86, 90-92, 164; D21/424, 433, 434, D21/533, 534, 535; 296/181.1-181.5, 296/183.1
CPC B62D 25/00; B62D 25/06; B62D 33/00; B62D 35/00

See application file for complete search history.

(56) **References Cited**

U.S. PATENT DOCUMENTS

D718,188 S *	11/2014	Wheel	D12/91
D735,610 S *	8/2015	Wheel	D12/91
D750,531 S *	3/2016	Watkins	D12/91
D750,532 S *	3/2016	Frascella	D12/91
D774,417 S *	12/2016	Watkins	D12/91
D805,959 S *	12/2017	Wheel	D12/91
D805,960 S *	12/2017	Wheel	D12/91
D807,228 S *	1/2018	Woolley	D12/91
D817,817 S *	5/2018	Frascella	D12/91
D818,399 S *	5/2018	Frascella	D12/91
D834,450 S *	11/2018	Hill	D12/91
D840,269 S *	2/2019	Frascella	D12/91
D840,274 S *	2/2019	Grewer	D12/91
D840,288 S *	2/2019	Frascella	D12/164
D849,600 S *	5/2019	Egan	D12/91
D862,312 S *	10/2019	Frascella	D12/91
D872,651 S *	1/2020	Pollard	D12/91

(Continued)

Primary Examiner — Melody N Brown

(74) *Attorney, Agent, or Firm* — Wood Herron & Evans LLP

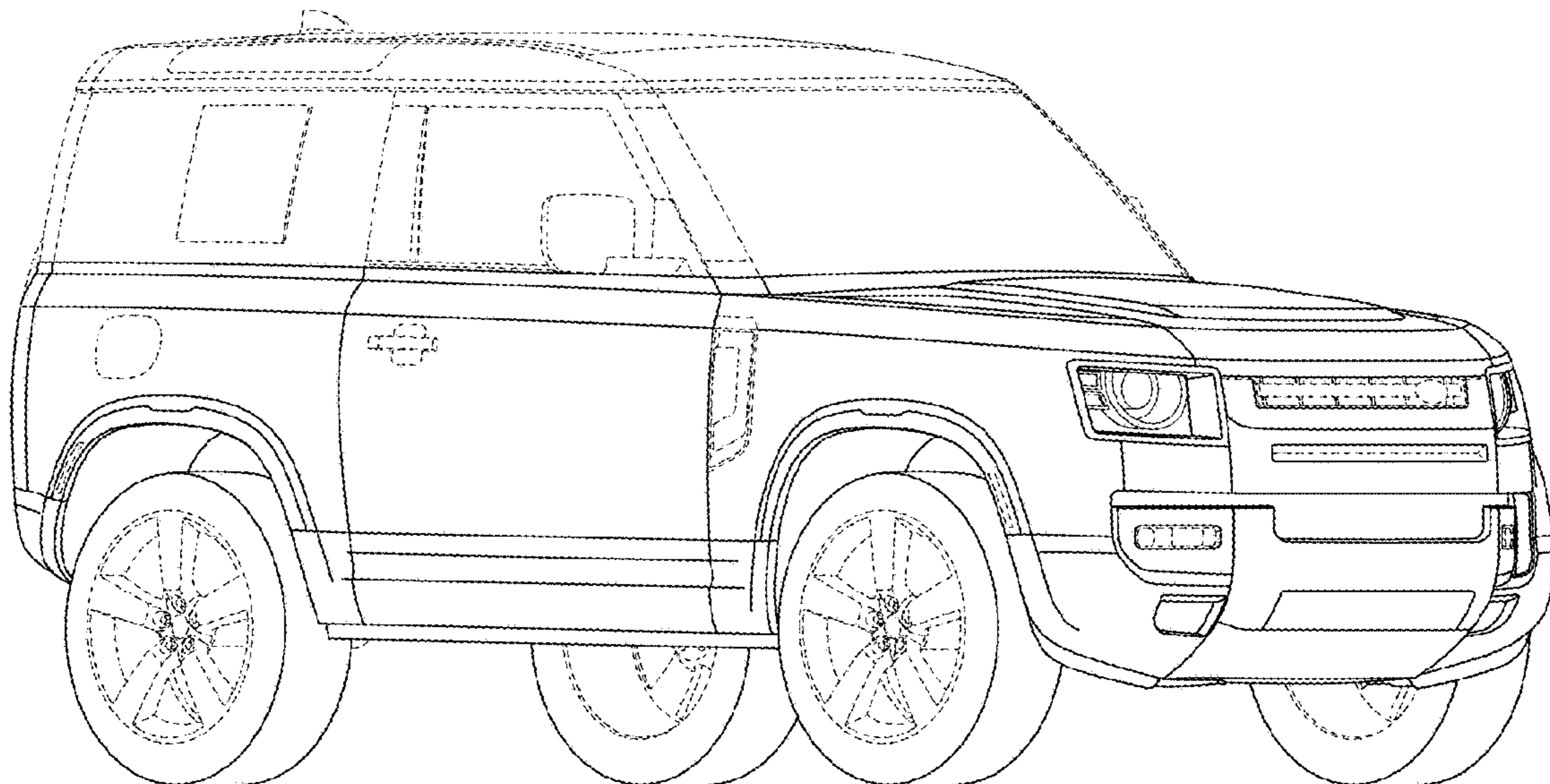
(57) **CLAIM**

The ornamental design for a bottom portion of a motor vehicle body, as shown and described.

DESCRIPTION

FIG. 1 is a left, front perspective view of a bottom portion of a motor vehicle body showing my new design;
FIG. 2 is a right, rear perspective view thereof;
FIG. 3 is a front view thereof;
FIG. 4 is a rear view thereof;
FIG. 5 is a right side view thereof;
FIG. 6 is a left side view thereof; and,
FIG. 7 is a top view thereof.

1 Claim, 7 Drawing Sheets



(56)

References Cited

U.S. PATENT DOCUMENTS

D881,072	S	*	4/2020	Frascella	D12/91
D889,318	S	*	7/2020	Egan	D12/91
D900,678	S	*	11/2020	Grand	D12/91
D913,158	S	*	3/2021	Grand	D12/91
D918,774	S	*	5/2021	Frascella	D12/91
D920,843	S	*	6/2021	Battams	D12/91
D942,328	S	*	2/2022	Battams	D12/91
D957,997	S	*	7/2022	Wheel	D12/91
D957,998	S	*	7/2022	Wheel	D12/91
D958,001	S	*	7/2022	Grand	D12/91
D958,002	S	*	7/2022	Grand	D12/91

* cited by examiner

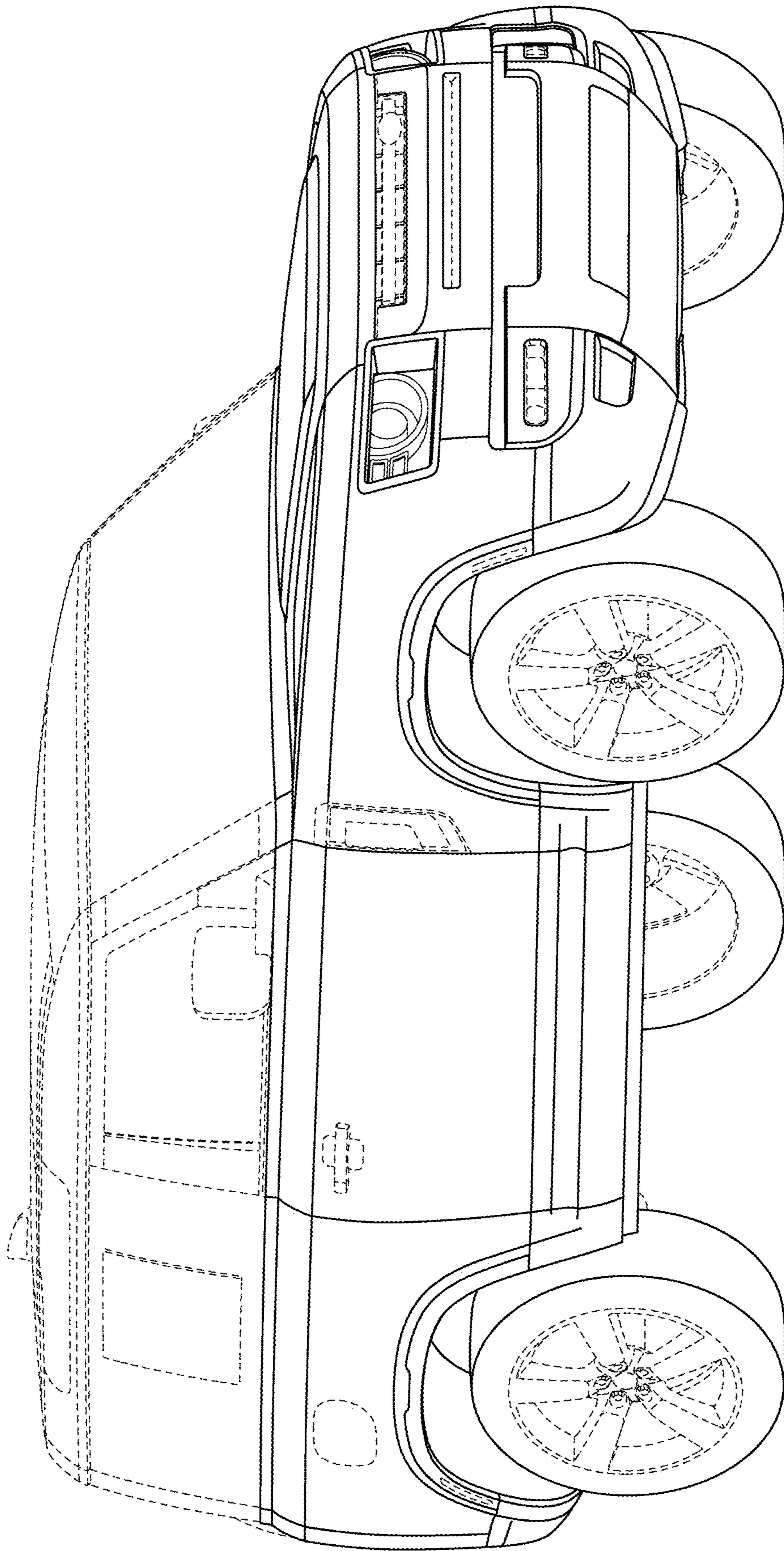


FIG. 1

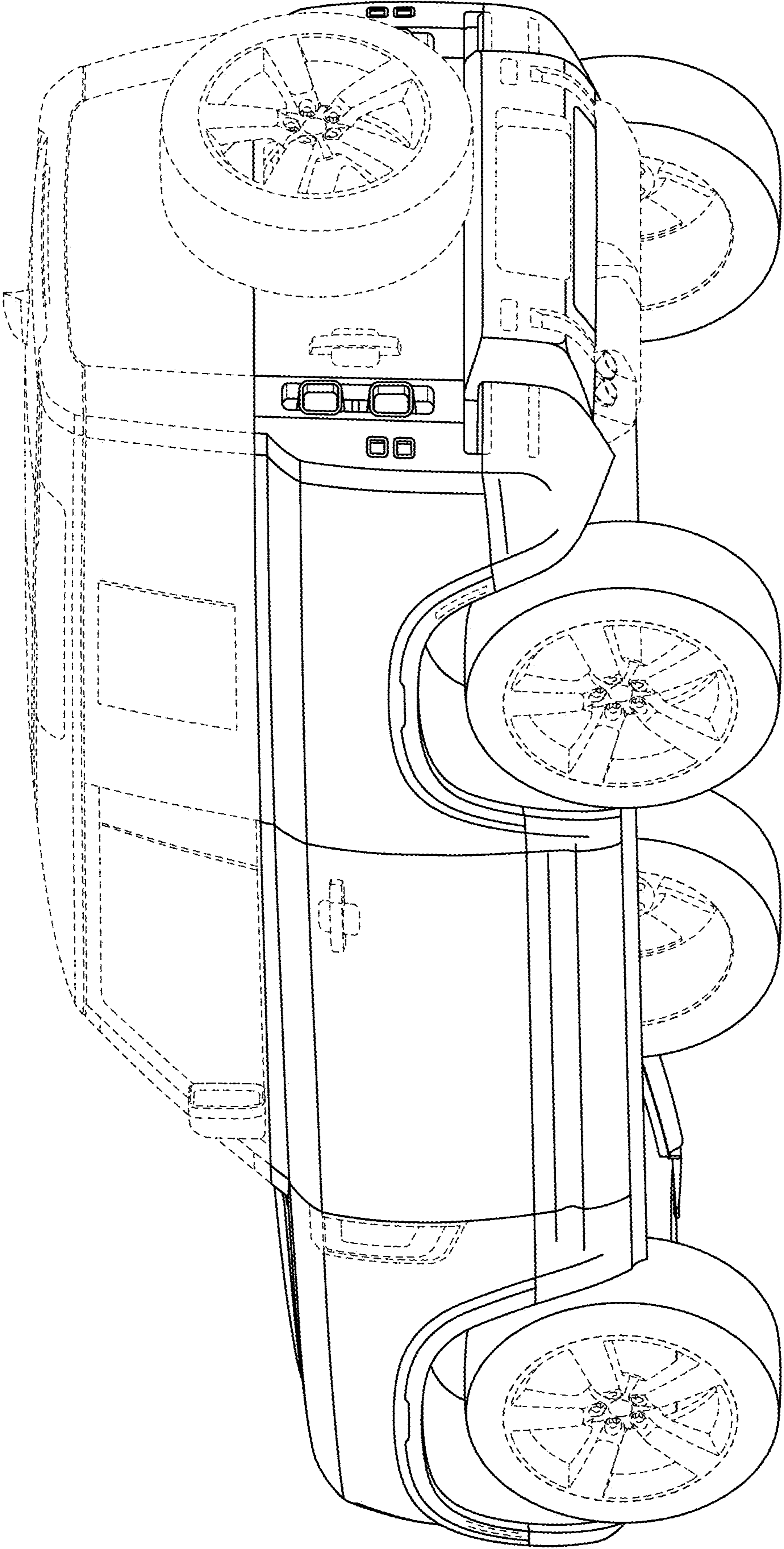


FIG. 2

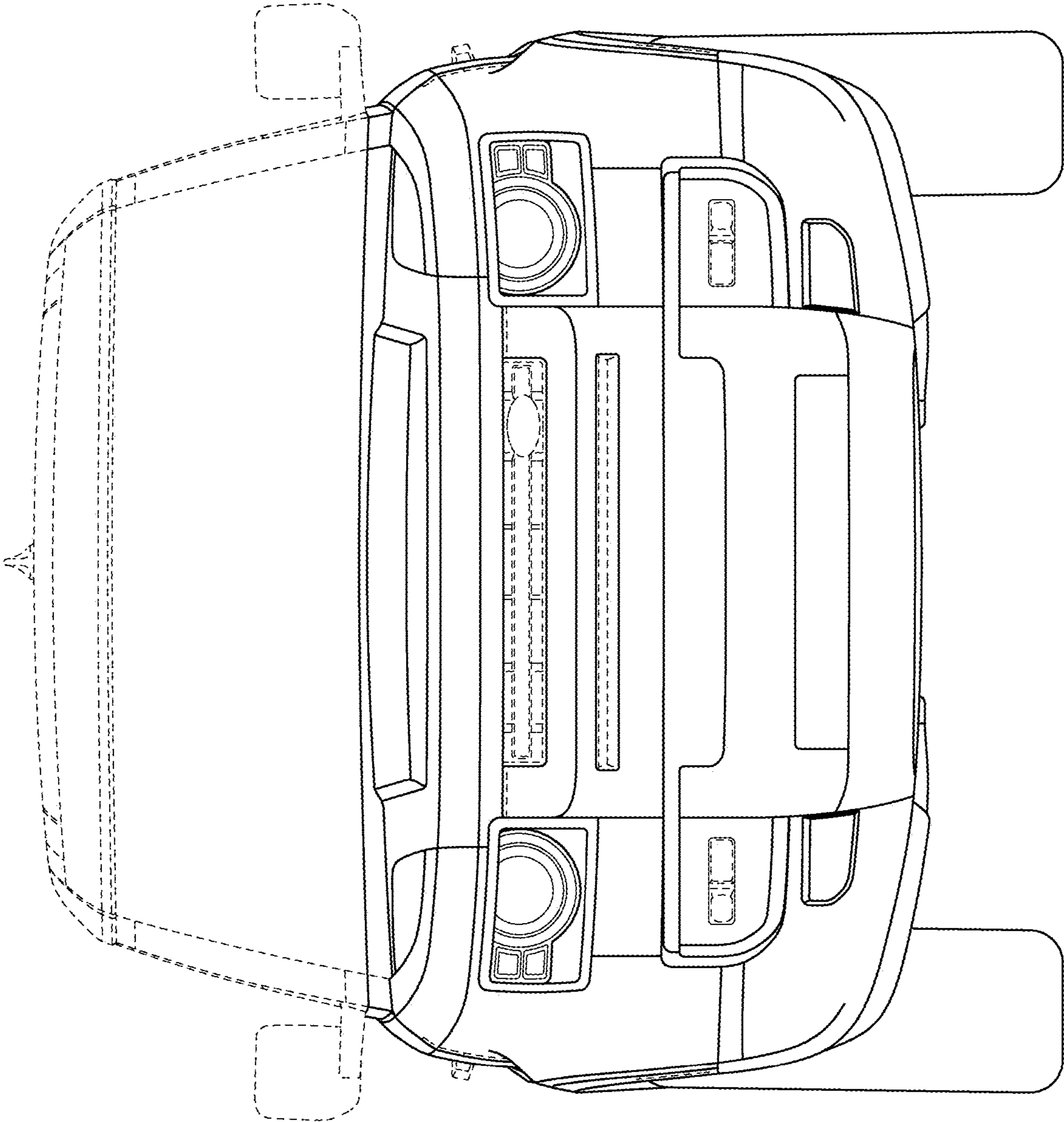


FIG. 3

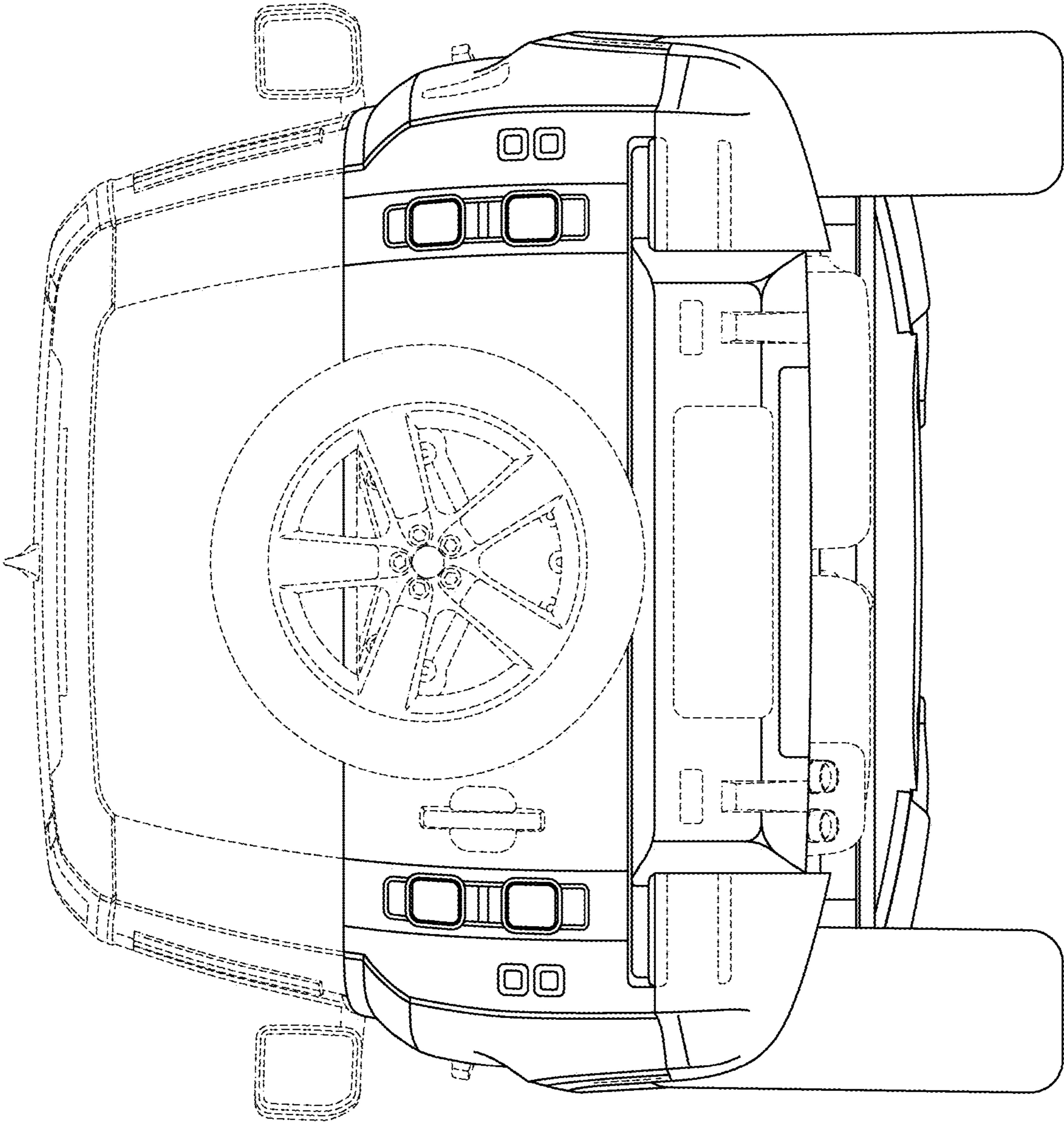


FIG. 4

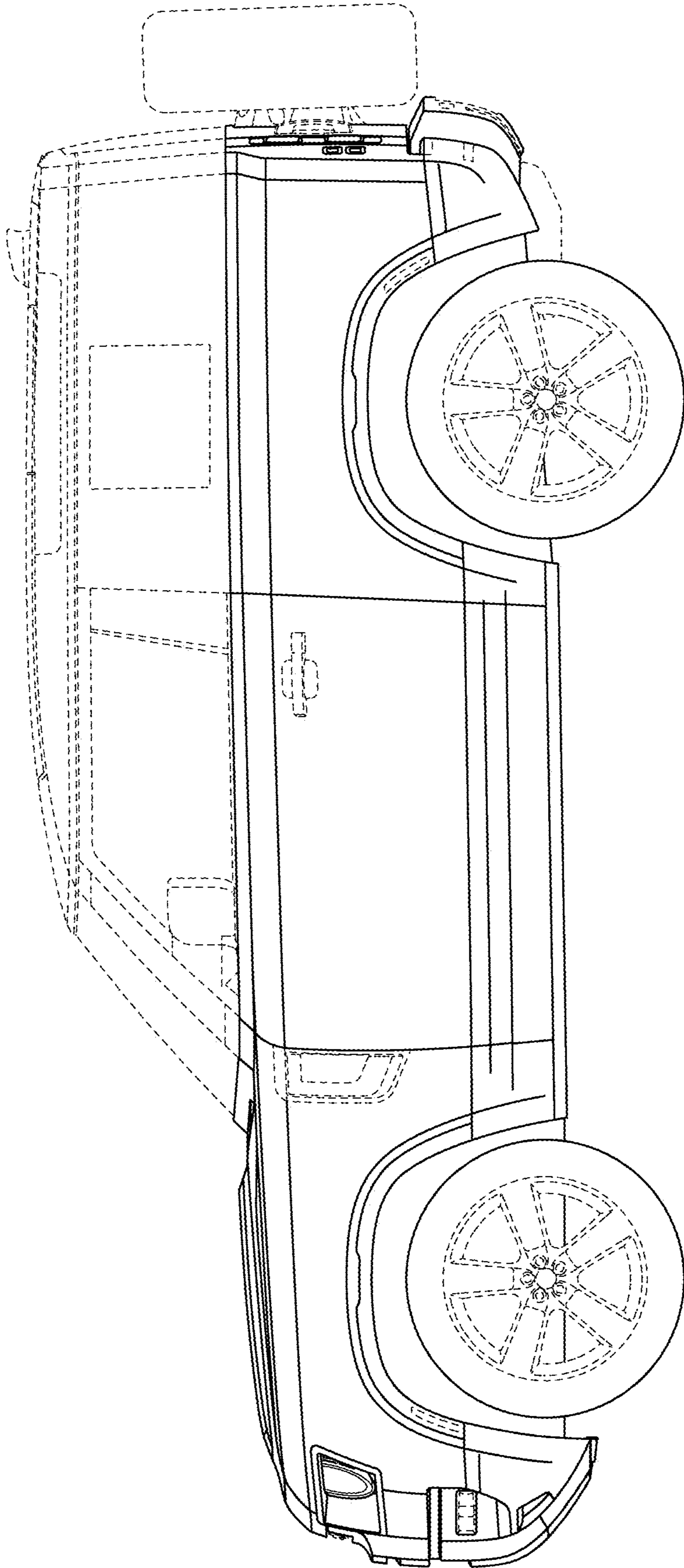


FIG. 5

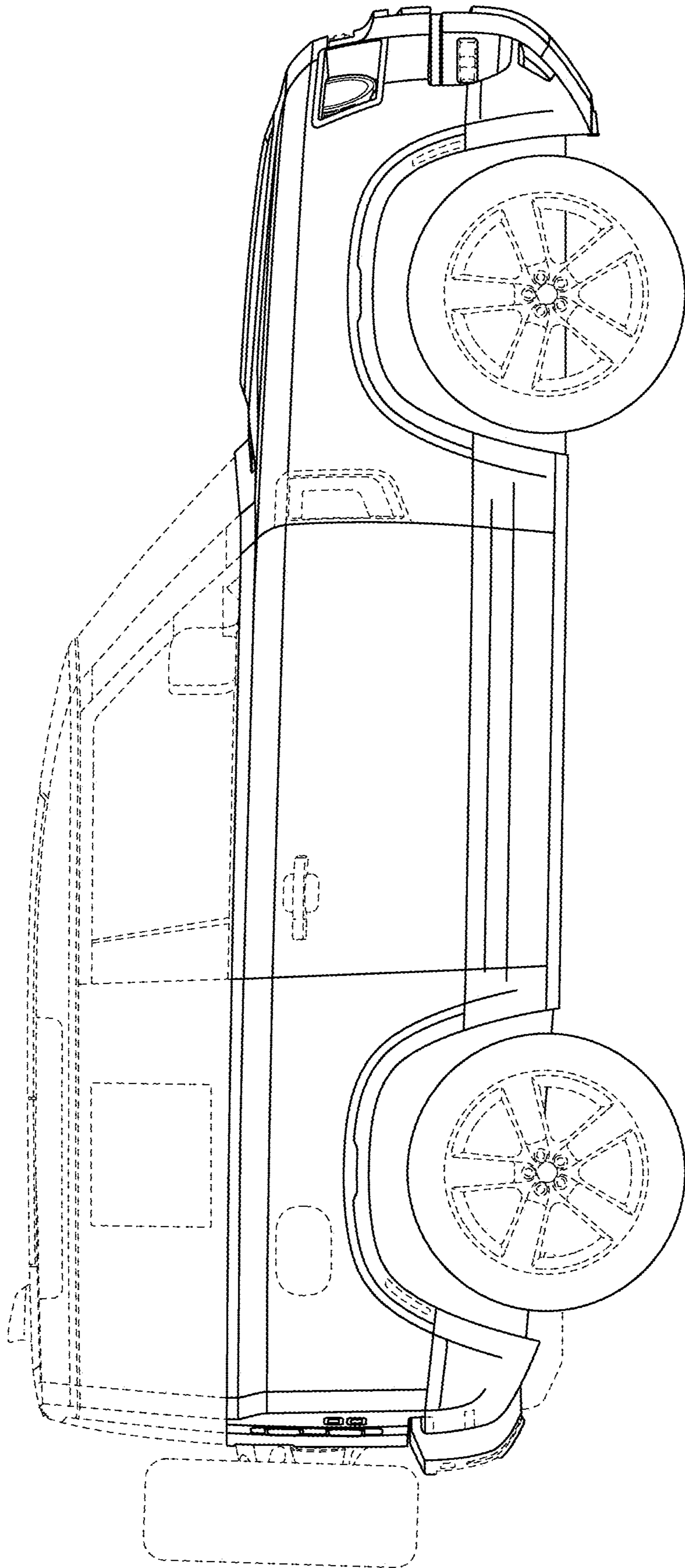


FIG. 6

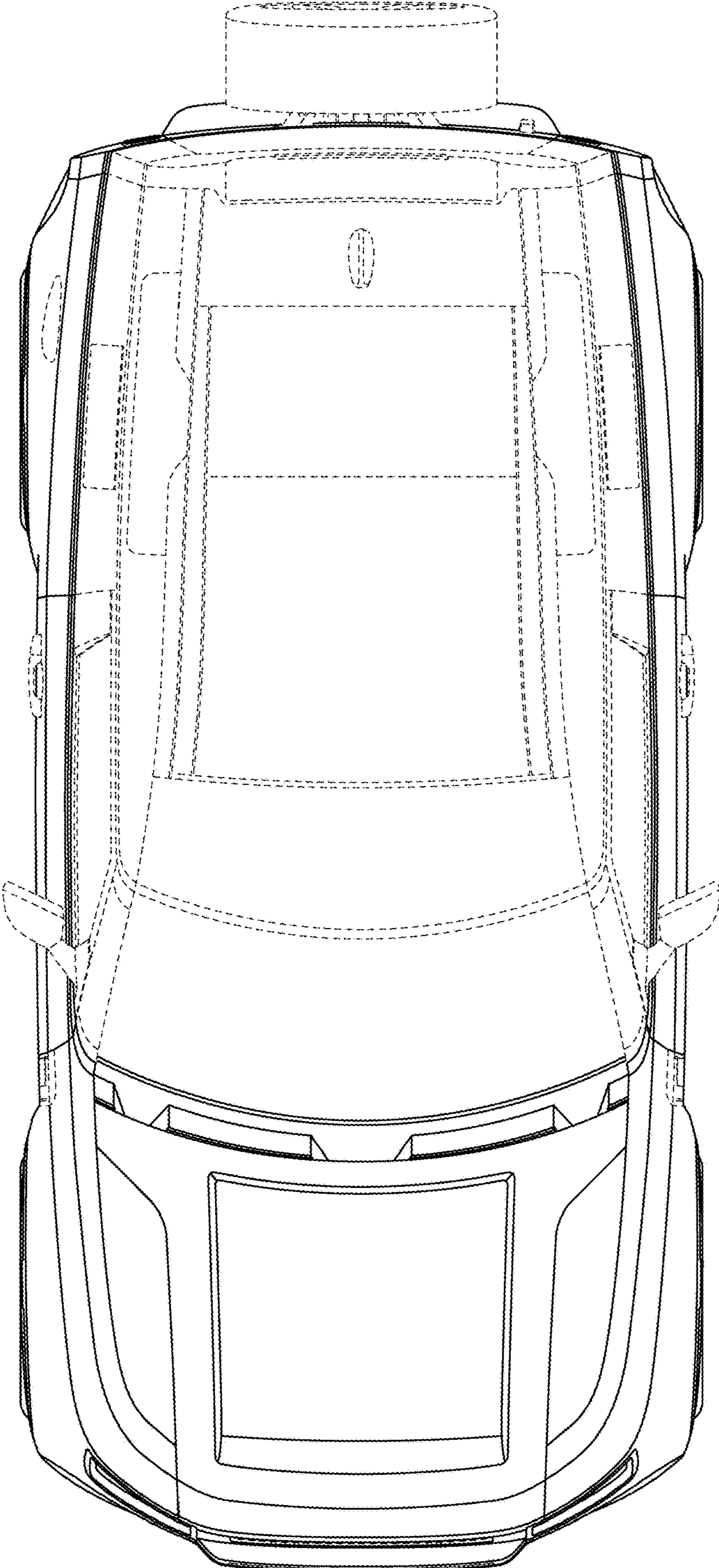


FIG. 7