



US00D988191S

(12) **United States Design Patent** (10) **Patent No.:** **US D988,191 S**
Grand (45) **Date of Patent:** **** Jun. 6, 2023**

(54) **BOTTOM PORTION OF A MOTOR VEHICLE**

(56) **References Cited**

(71) Applicant: **JAGUAR LAND ROVER LIMITED,**
Coventry (GB)

U.S. PATENT DOCUMENTS

(72) Inventor: **Simon Grand,** Coventry (GB)

D718,188 S *	11/2014	Wheel	D12/91
D735,610 S *	8/2015	Wheel	D12/91
D750,531 S *	3/2016	Watkins	D12/91
D750,532 S *	3/2016	Frascella	D12/91
D774,417 S *	12/2016	Watkins	D12/91
D805,959 S *	12/2017	Wheel	D12/91
D805,960 S *	12/2017	Wheel	D12/91
D807,228 S *	1/2018	Woolley	D12/91
D817,817 S *	5/2018	Frascella	D12/91
D818,399 S *	5/2018	Frascella	D12/91
D834,450 S *	11/2018	Hill	D12/91
D840,269 S *	2/2019	Frascella	D12/91
D840,274 S *	2/2019	Grewer	D12/91
D840,288 S *	2/2019	Frascella	D12/164
D849,600 S *	5/2019	Egan	D12/91
D862,312 S *	10/2019	Frascella	D12/91
D872,651 S *	1/2020	Pollard	D12/91

(73) Assignee: **JAGUAR LAND ROVER LIMITD,**
Coventry (GB)

(**) Term: **15 Years**

(21) Appl. No.: **29/842,183**

(22) Filed: **Jun. 10, 2022**

Related U.S. Application Data

(62) Division of application No. 29/771,254, filed on Feb. 22, 2021, now Pat. No. Des. 958,002, which is a division of application No. 29/722,674, filed on Jan. 31, 2020, now Pat. No. Des. 913,158, which is a division of application No. 29/656,090, filed on Jul. 10, 2018, now Pat. No. Des. 875,604.

(Continued)

Primary Examiner — Melody N Brown

(74) *Attorney, Agent, or Firm* — Reising Ethington P.C.

(30) **Foreign Application Priority Data**

Jan. 12, 2018	(EM)	004663839
Jan. 25, 2018	(EM)	004680825
Apr. 25, 2018	(EM)	005248580
Jul. 5, 2018	(EM)	005435013

(57) **CLAIM**

The ornamental design for a bottom portion of a motor vehicle, as shown and described.

(51) **LOC (14) Cl.** **12-08**

(52) **U.S. Cl.**
USPC **D12/91**

DESCRIPTION

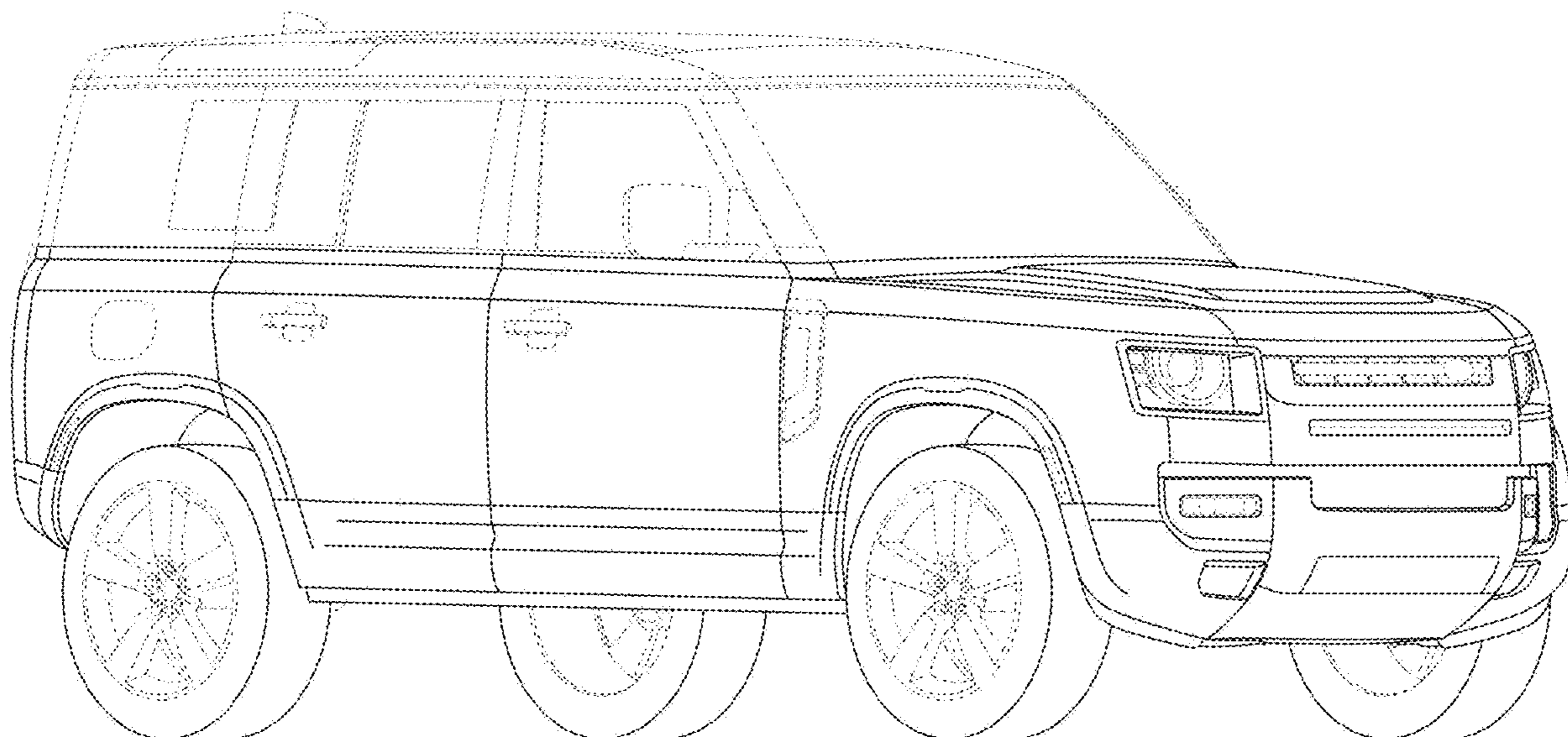
(58) **Field of Classification Search**
USPC D12/86, 90-92, 164; D21/424, 433, 434,
D21/533, 534, 535; 296/181.1-181.5,
296/183.1
CPC B62D 25/00; B62D 25/06; B62D 33/00;
B62D 35/00

FIG. 1 is a left, front perspective view of a bottom portion of a motor vehicle, showing my new design;
FIG. 2 is a right, rear perspective view thereof;
FIG. 3 is a front view thereof;
FIG. 4 is a rear view thereof;
FIG. 5 is a right-side view thereof;
FIG. 6 is a left-side view thereof; and,
FIG. 7 is a top view thereof.

The broken lines shown in the drawings depict portions that form no part of the claimed design.

See application file for complete search history.

1 Claim, 7 Drawing Sheets



(56)

References Cited

U.S. PATENT DOCUMENTS

D881,072	S	*	4/2020	Frascella	D12/91
D889,318	S	*	7/2020	Egan	D12/91
D900,678	S	*	11/2020	Grand	D12/91
D913,158	S	*	3/2021	Grand	D12/91
D918,774	S	*	5/2021	Frascella	D12/91
D920,843	S	*	6/2021	Battams	D12/91
D942,328	S	*	2/2022	Battams	D12/91
D957,997	S	*	7/2022	Wheel	D12/91
D957,998	S	*	7/2022	Wheel	D12/91
D958,001	S	*	7/2022	Grand	D12/91
D958,002	S	*	7/2022	Grand	D12/91

* cited by examiner

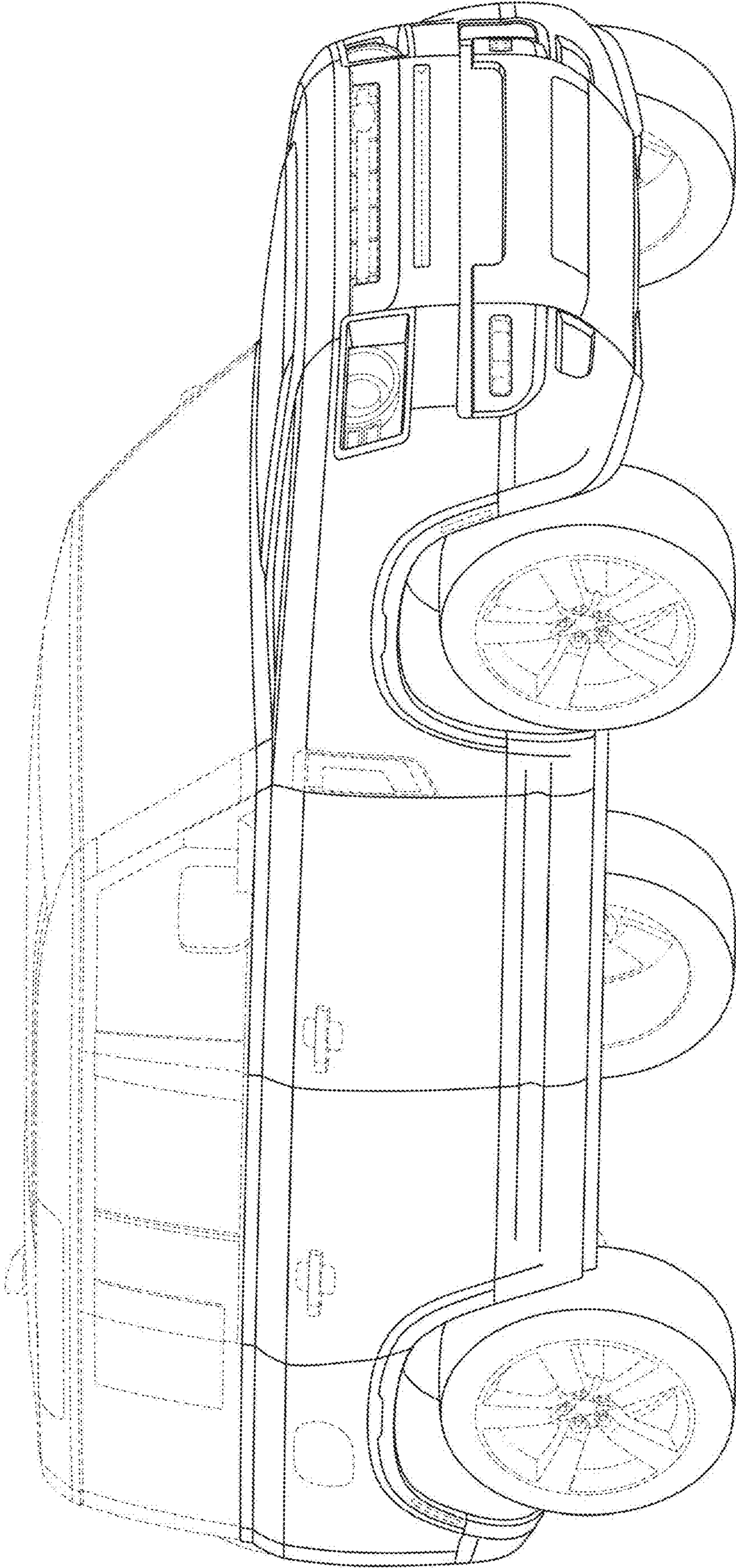


FIG. 1

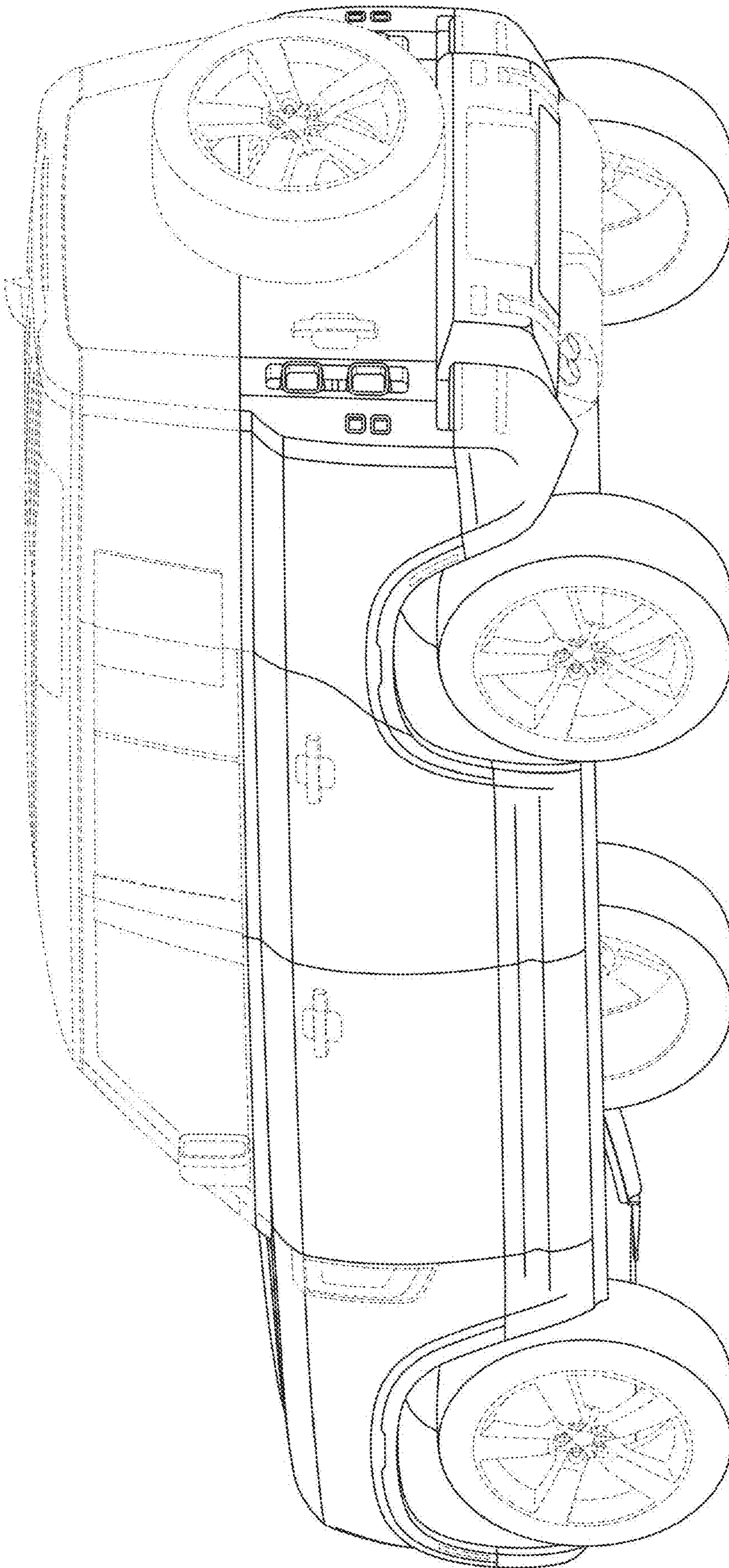


FIG. 2

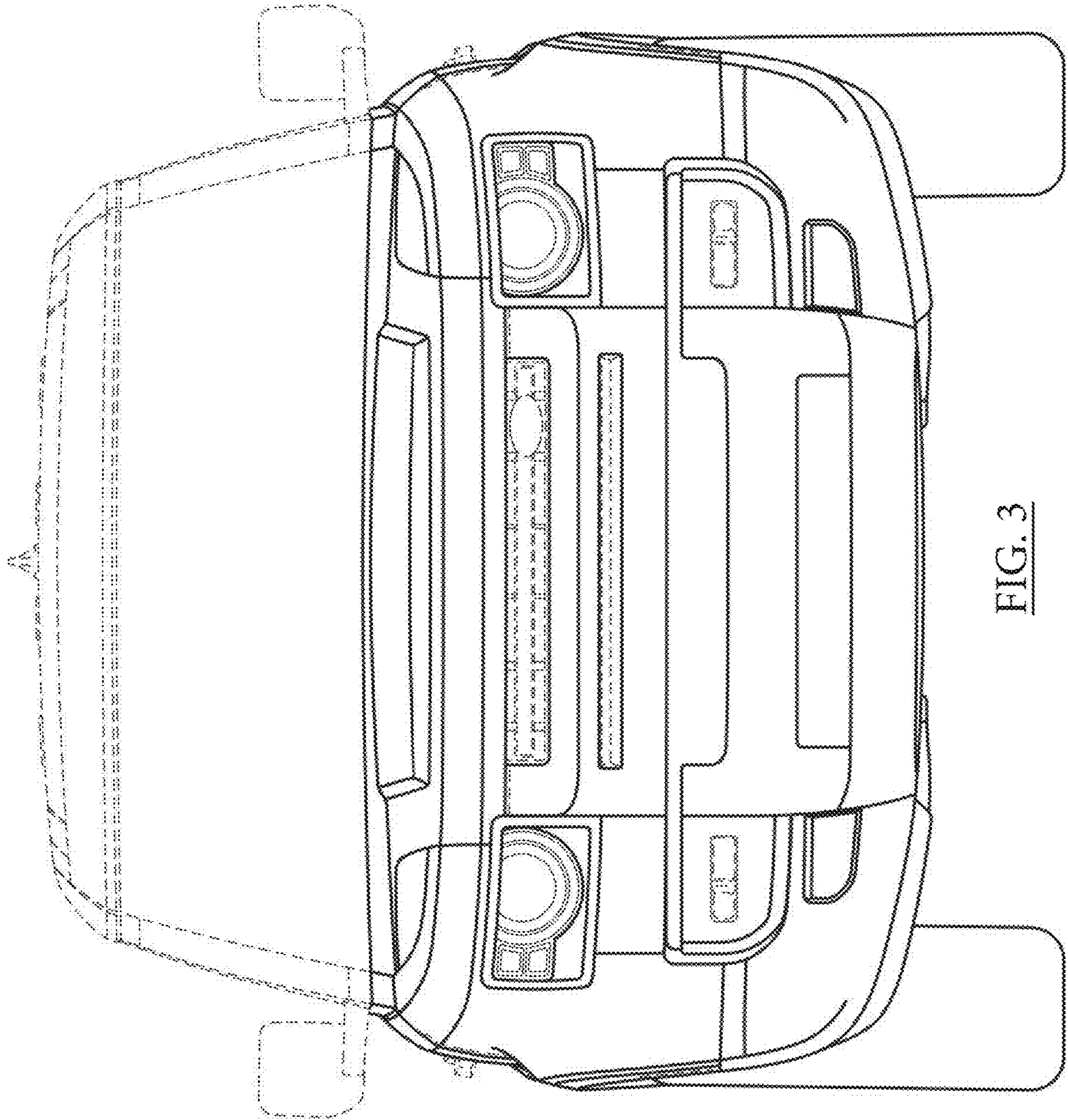


FIG. 3

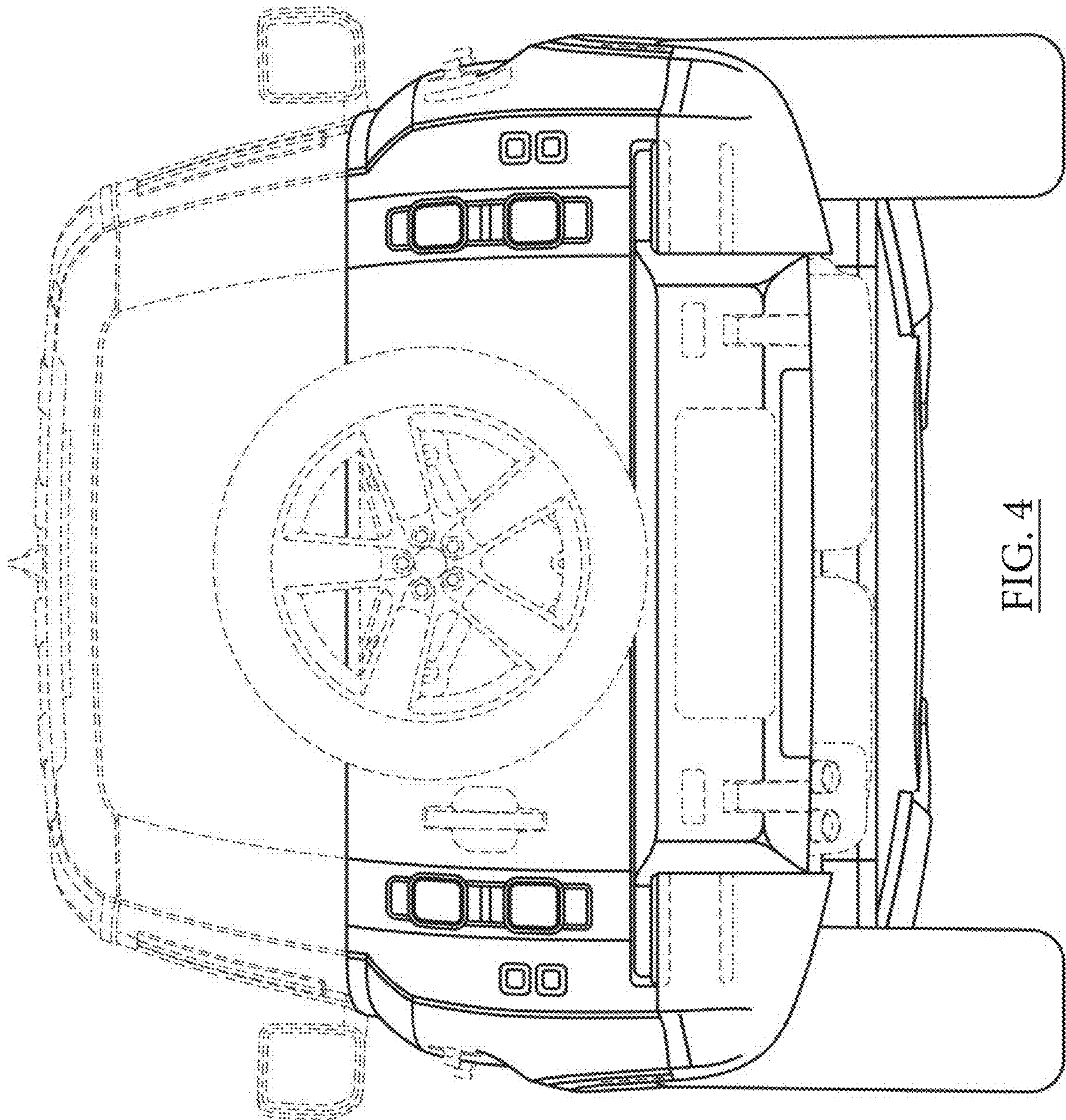


FIG. 4

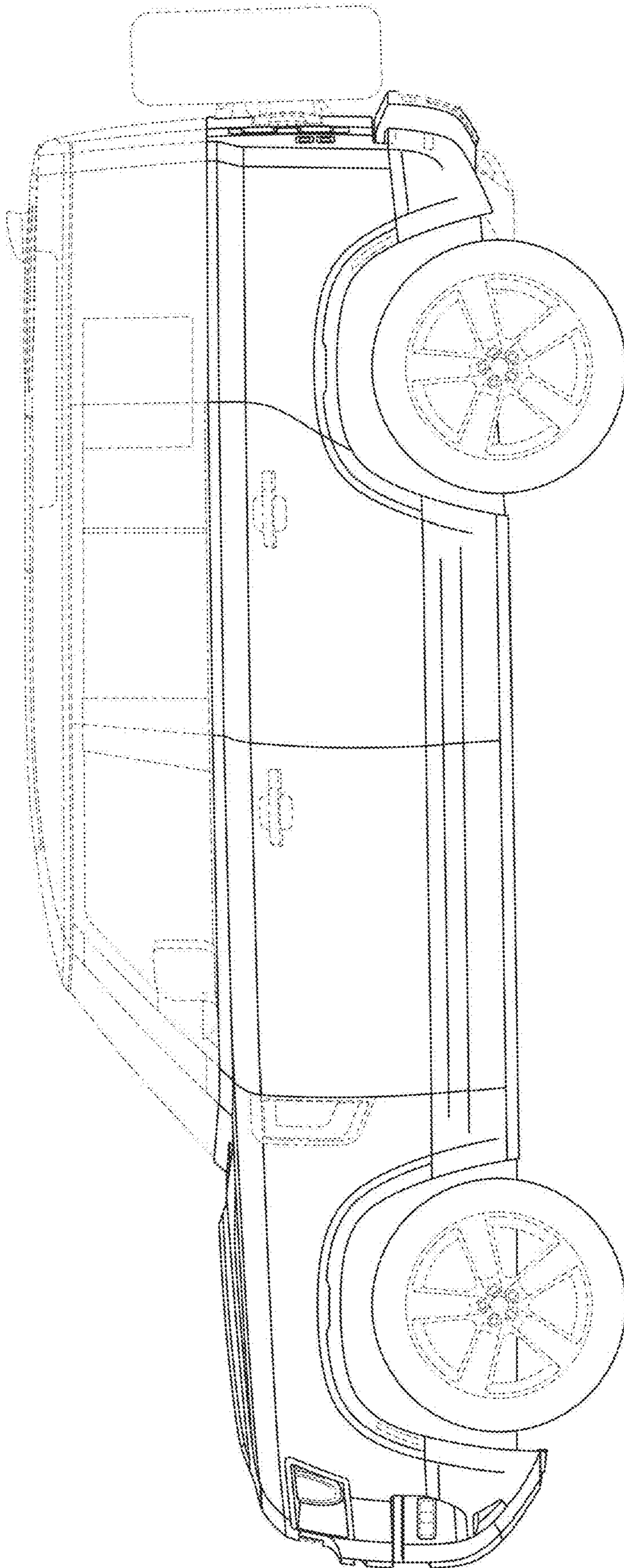


FIG. 5

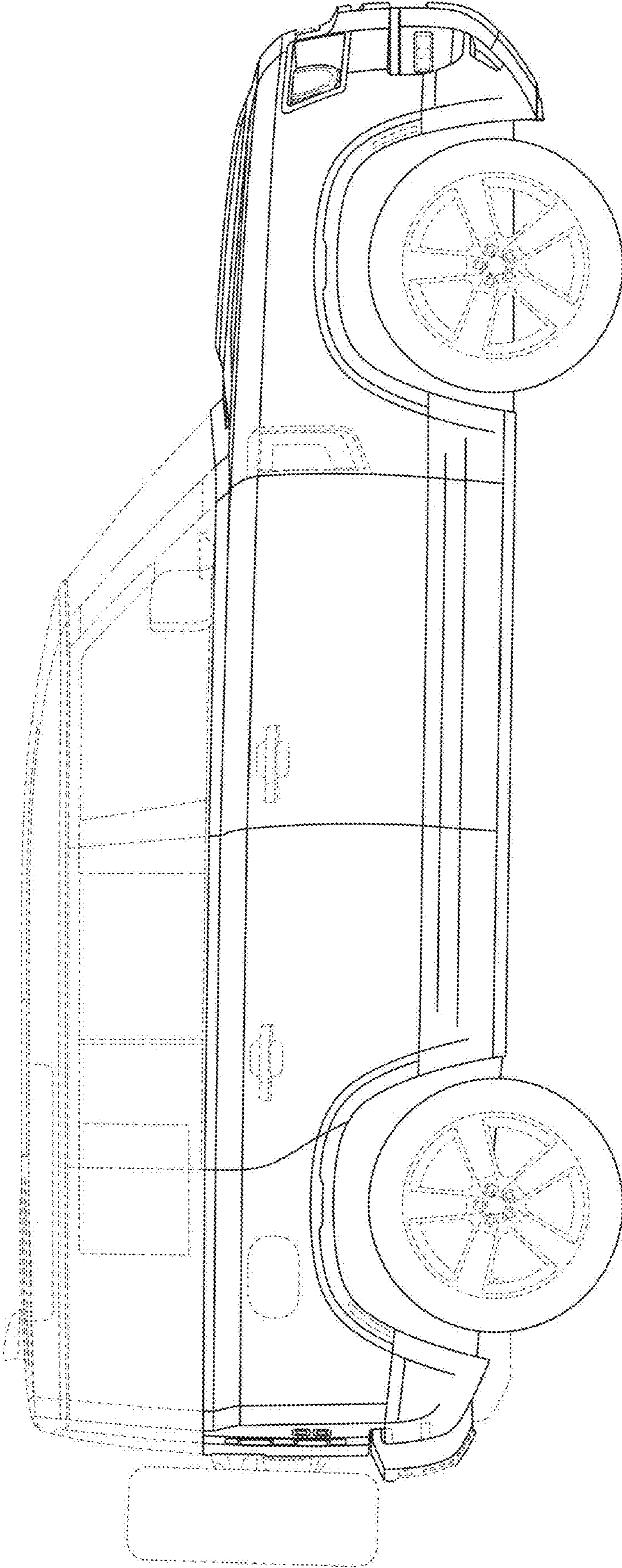


FIG. 6

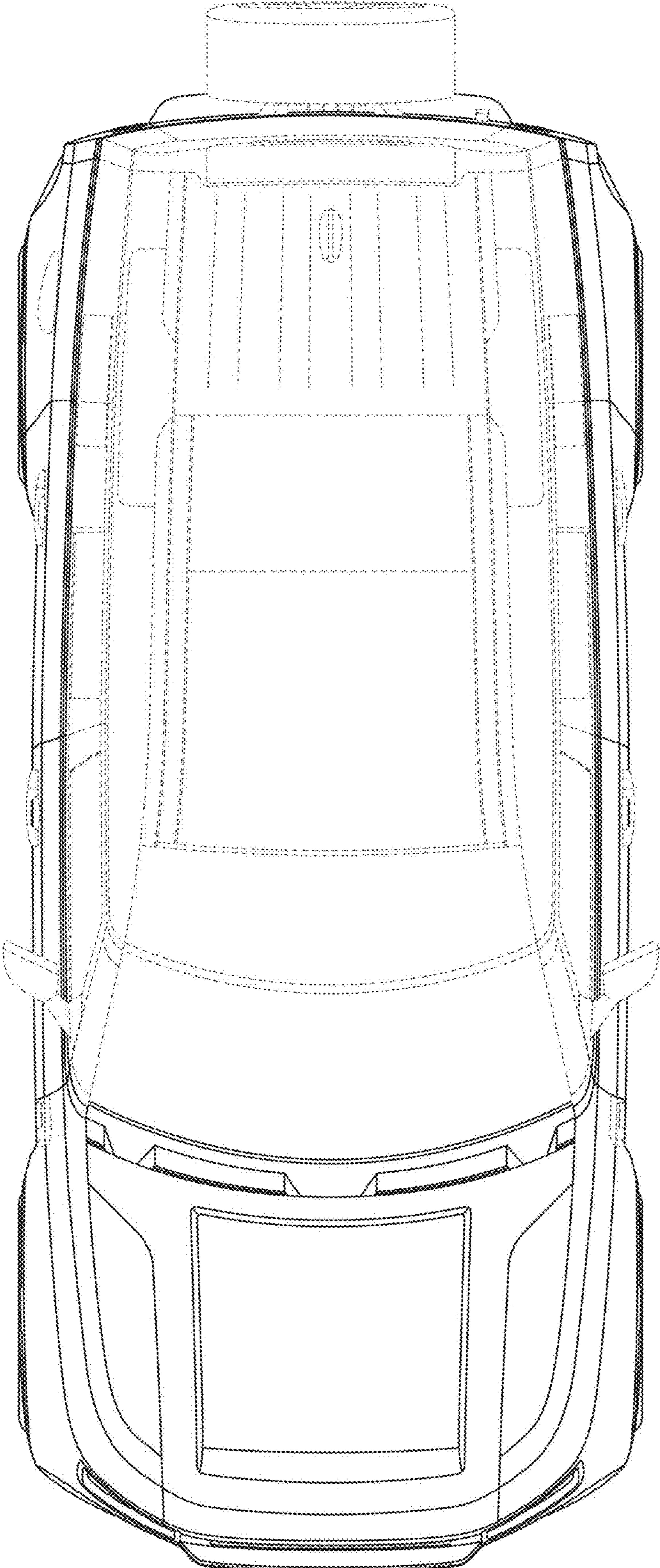


FIG. 7