



US00D988190S

(12) **United States Design Patent** (10) **Patent No.:** **US D988,190 S**
Grand (45) **Date of Patent:** **** Jun. 6, 2023**

(54) **MOTOR VEHICLE**

(56) **References Cited**

(71) Applicant: **JAGUAR LAND ROVER LIMITED,**
Coventry (GB)

U.S. PATENT DOCUMENTS

(72) Inventor: **Simon Grand,** Coventry (GB)

D718,188 S *	11/2014	Wheel	D12/91
D735,610 S *	8/2015	Wheel	D12/91
D750,531 S *	3/2016	Watkins	D12/91
D750,532 S *	3/2016	Frascella	D12/91
D774,417 S *	12/2016	Watkins	D12/91
D805,959 S *	12/2017	Wheel	D12/91
D805,960 S *	12/2017	Wheel	D12/91
D807,228 S *	1/2018	Woolley	D12/91
D817,817 S *	5/2018	Frascella	D12/91
D818,399 S *	5/2018	Frascella	D12/91
D834,450 S *	11/2018	Hill	D12/91
D840,269 S *	2/2019	Frascella	D12/91
D840,274 S *	2/2019	Grewer	D12/91
D849,600 S *	5/2019	Egan	D12/91
D862,312 S *	10/2019	Frascella	D12/91
D872,651 S *	1/2020	Pollard	D12/91
D881,072 S *	4/2020	Frascella	D12/91

(73) Assignee: **JAGUAR LAND ROVER LIMITED,**
Coventry (GB)

(**) Term: **15 Years**

(21) Appl. No.: **29/842,173**

(22) Filed: **Jun. 10, 2022**

Related U.S. Application Data

(62) Division of application No. 29/771,254, filed on Feb. 22, 2021, now Pat. No. Des. 958,002, which is a division of application No. 29/722,674, filed on Jan. 31, 2020, now Pat. No. Des. 913,158, which is a division of application No. 29/656,090, filed on Jul. 10, 2018, now Pat. No. Des. 875,604.

(Continued)

Primary Examiner — Melody N Brown

(74) *Attorney, Agent, or Firm* — Reising Ethington P.C.

(30) **Foreign Application Priority Data**

Jan. 12, 2018	(EM)	004663839
Jan. 25, 2018	(EM)	004680825
Apr. 25, 2018	(EM)	005248580
Jul. 5, 2018	(EM)	005435013

(57) **CLAIM**

The ornamental design for a motor vehicle, as shown and described.

(51) **LOC (14) Cl.** **12-08**

(52) **U.S. Cl.**
USPC **D12/91**

DESCRIPTION

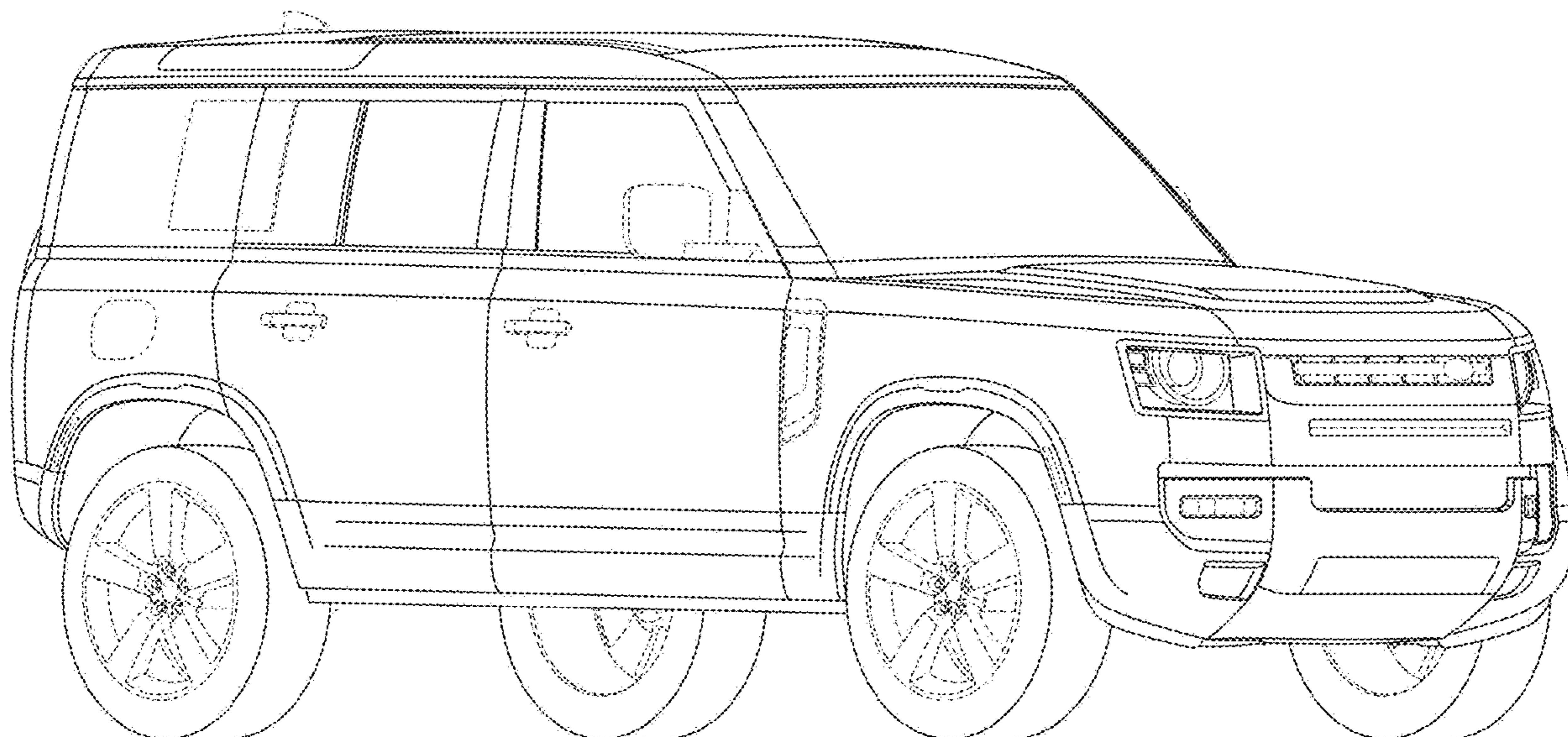
(58) **Field of Classification Search**
USPC D12/86, 90-92, 164; D21/424, 433, 434,
D21/533, 534, 535; 296/181.1-181.5,
296/183.1
CPC B62D 25/00; B62D 25/06; B62D 33/00;
B62D 35/00

FIG. 1 is a left, front perspective view of a motor vehicle, showing my new design;
FIG. 2 is a right, rear perspective view thereof;
FIG. 3 is a front view thereof;
FIG. 4 is a rear view thereof;
FIG. 5 is a right-side view thereof;
FIG. 6 is a left-side view thereof; and,
FIG. 7 is a top view thereof.

The broken lines shown in the drawings depict portions of the motor vehicle that form no part of the claimed design.

See application file for complete search history.

1 Claim, 7 Drawing Sheets



(56)

References Cited

U.S. PATENT DOCUMENTS

D889,318 S *	7/2020	Egan	D12/91
D913,158 S *	3/2021	Grand	D12/91
D918,774 S *	5/2021	Frascella	D12/91
D920,843 S *	6/2021	Battams	D12/91
D942,328 S *	2/2022	Battams	D12/91
D957,997 S *	7/2022	Wheel	D12/91
D957,998 S *	7/2022	Wheel	D12/91
D958,001 S *	7/2022	Grand	D12/91
D958,002 S *	7/2022	Grand	D12/91

* cited by examiner

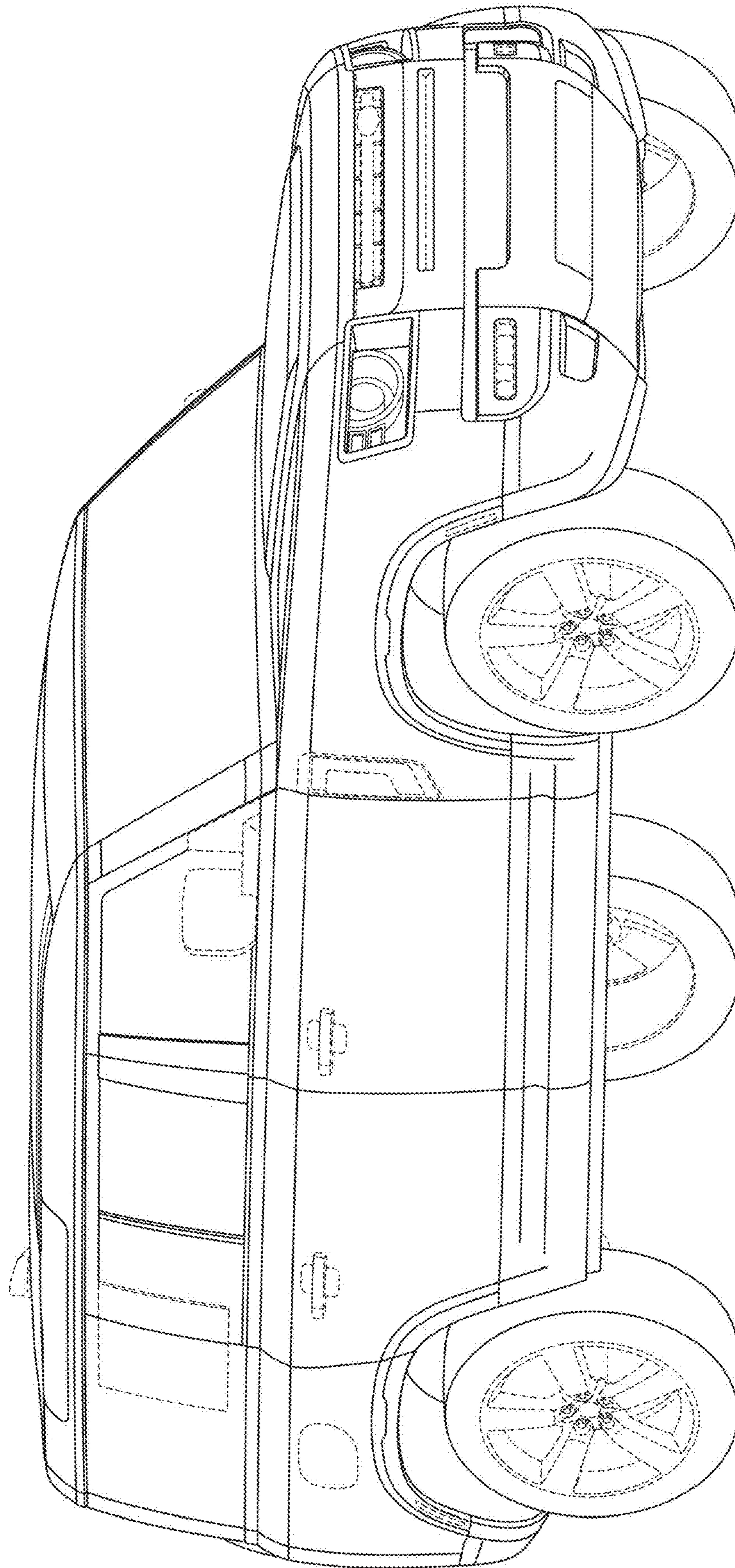


FIG. 1

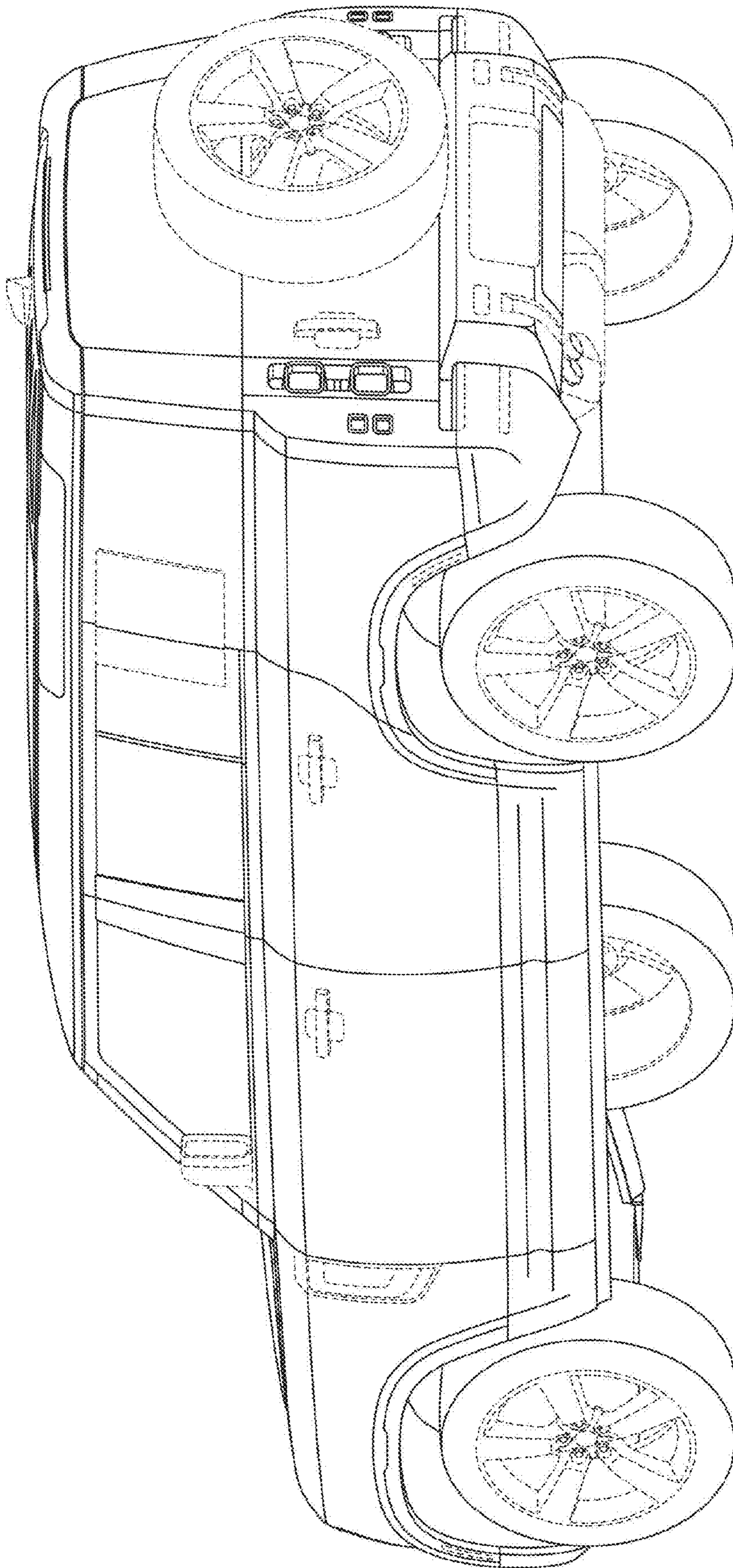


FIG. 2

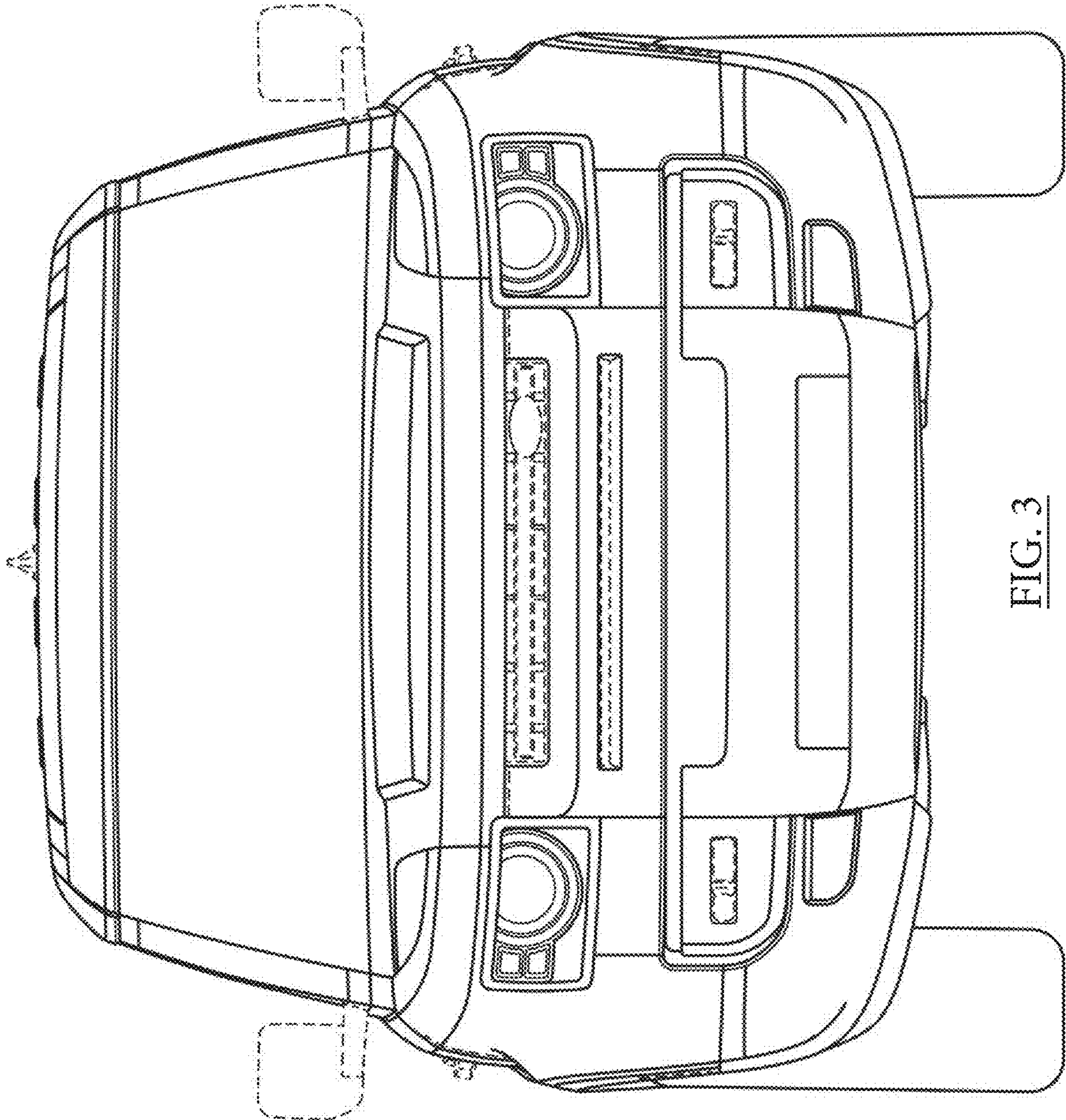


FIG. 3

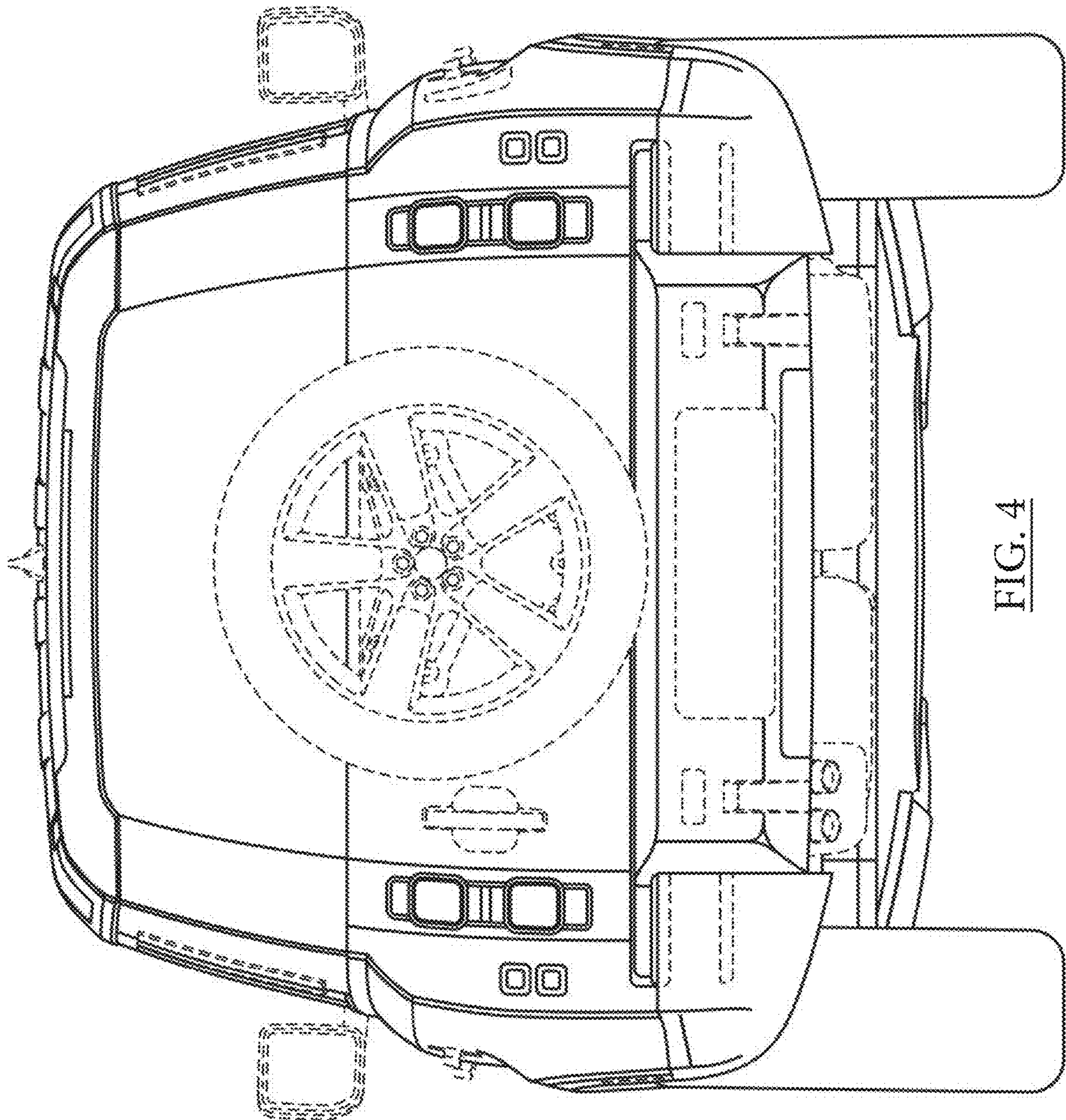


FIG. 4

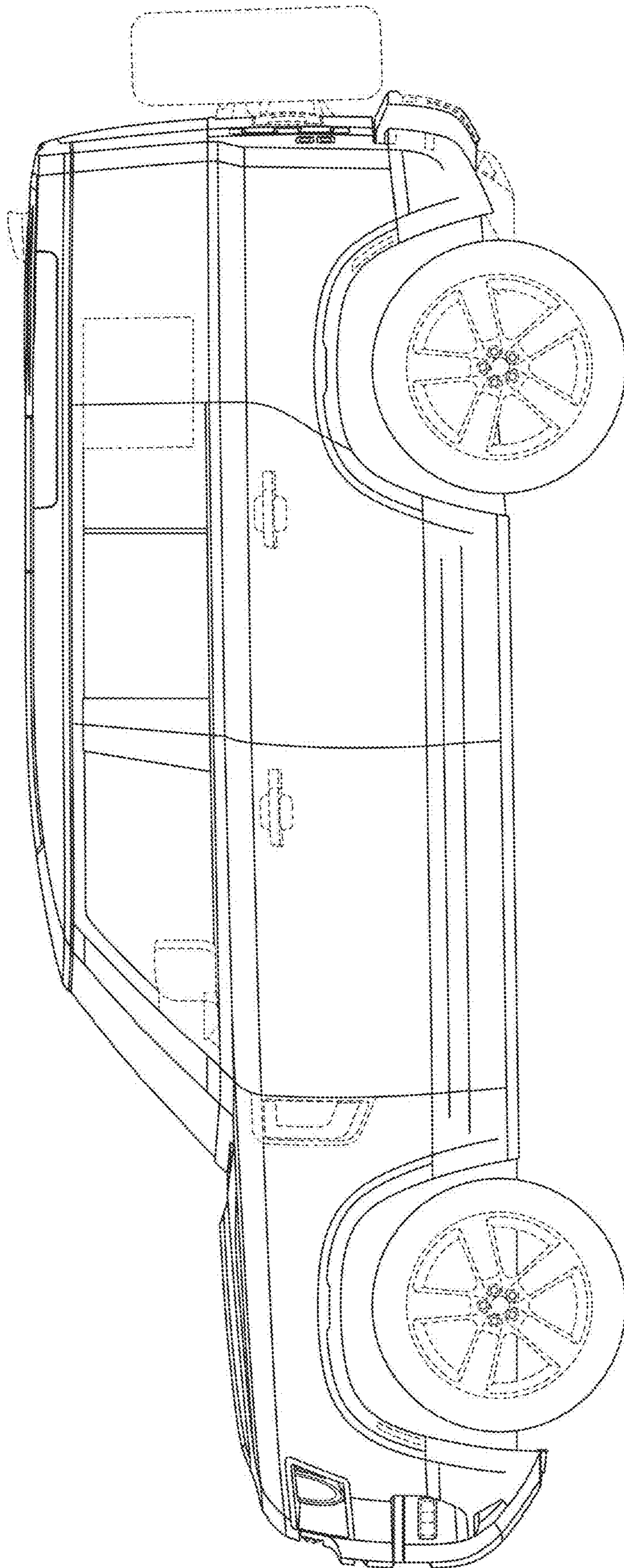


FIG. 5

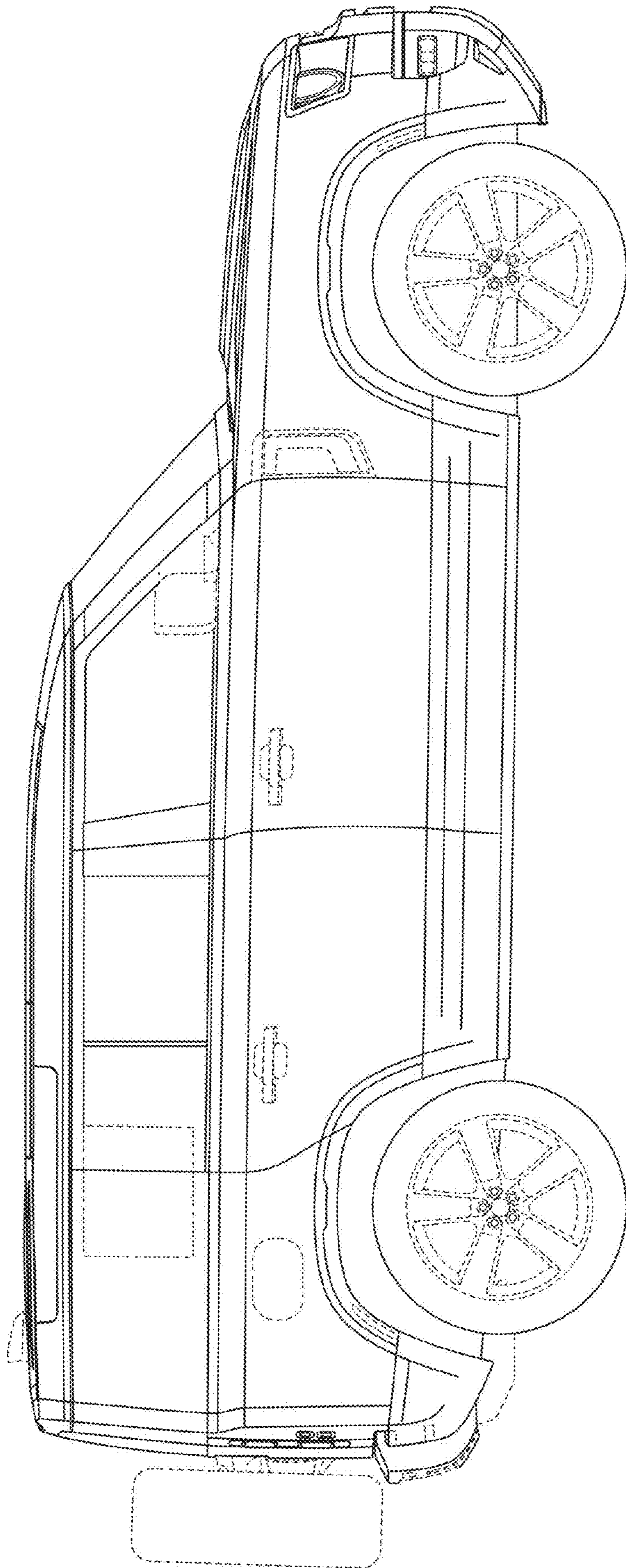


FIG. 6

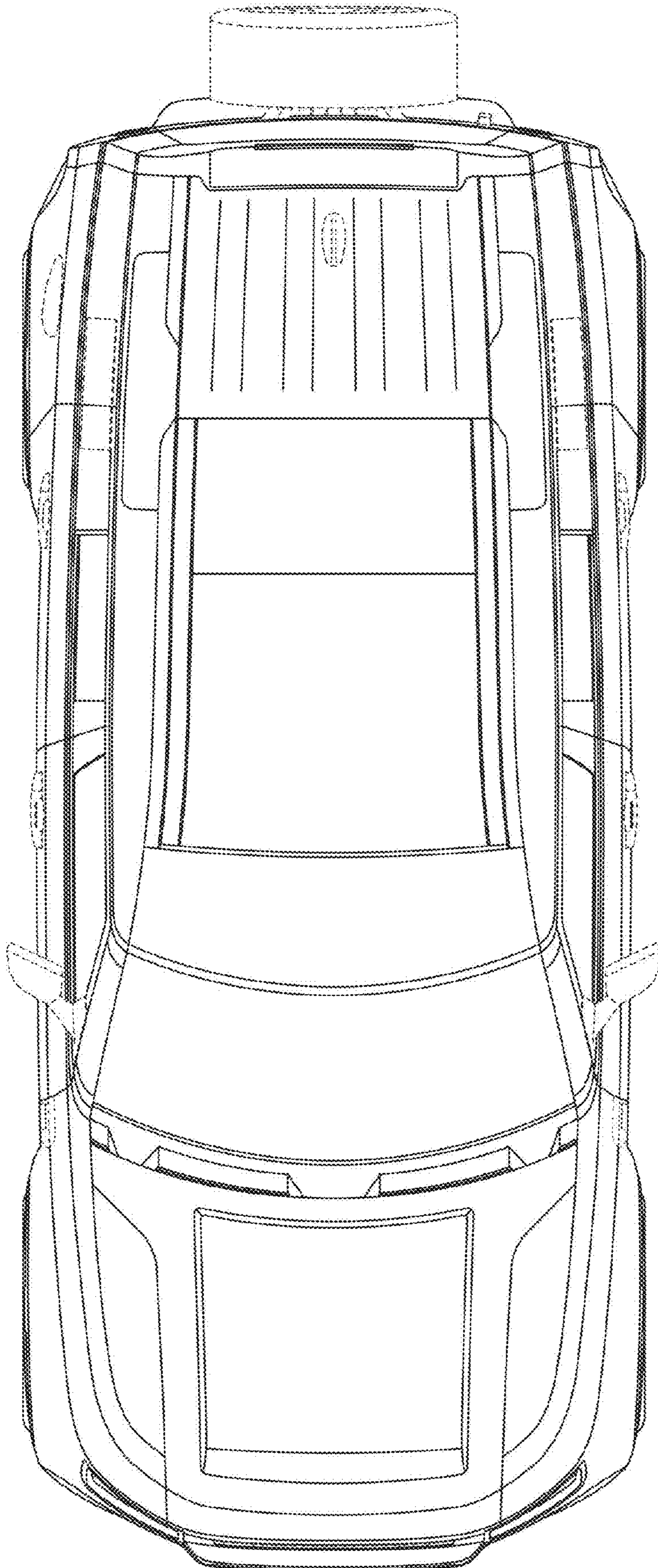


FIG. 7