



US00D988188S

(12) **United States Design Patent**
Sequeira et al.

(10) **Patent No.:** **US D988,188 S**
(45) **Date of Patent:** **** Jun. 6, 2023**

(54) **ADVANCED RECONNAISSANCE VEHICLE**

(71) Applicant: **Howe & Howe Inc.**, Waterboro, ME (US)
(72) Inventors: **Giovanni Sequeira**, Abita Springs, LA (US); **Edward L. Broom**, Pearl River, LA (US)
(73) Assignee: **Textron Systems Corporation**, Hunt Valley, MD (US)

(**) Term: **15 Years**

(21) Appl. No.: **29/770,350**

(22) Filed: **Feb. 11, 2021**

(51) **LOC (14) Cl.** **12-13**

(52) **U.S. Cl.**
USPC **D12/12**

(58) **Field of Classification Search**
USPC ... D12/12, 14, 1, 2, 3, 4, 86, 87, 90, 91, 92, D12/93, 95, 107, 128, 433; D21/833, D21/533, 539, 424, 433
CPC F41H 5/23; F41H 5/26; F41H 7/00; F41H 7/02; F41H 7/048; F41H 7/005; F41H 7/044; F41H 7/042; F41H 5/02; B62D 23/00; B62D 21/18; B62D 24/02; B62D 25/00; B62D 39/00; B62D 49/06; B62D

(Continued)

(56) **References Cited**

U.S. PATENT DOCUMENTS

D245,000 S * 7/1977 Longeau D12/12
D269,418 S * 6/1983 Appelblatt D12/12
(Continued)

FOREIGN PATENT DOCUMENTS

EM 002295048-0003 * 9/2013
KR 300912889.0000 * 7/2017
(Continued)

OTHER PUBLICATIONS

What is the Marine Corps' Advanced Reconnaissance Vehicle?, available in BreakingDefense.com, announced Year 2022 [online], [site visited Dec. 30, 2022], Internet URL: <https://breakingdefense.com/2022/09/what-is-the-marine-corps-advanced-reconnaissance-vehicle/>.*

(Continued)

Primary Examiner — Darlington Ly

Assistant Examiner — D. Ryan Tisdale

(74) *Attorney, Agent, or Firm* — BainwoodHuang

(57) **CLAIM**

The ornamental design of for an advanced reconnaissance vehicle, as shown and described.

DESCRIPTION

FIG. 1 is a front-corner, upper perspective view of an advanced reconnaissance vehicle according to a first embodiment.

FIG. 2 is a front plan view thereof;

FIG. 3 is a rear plan view thereof;

FIG. 4 is a right plan view thereof;

FIG. 5 is a left plan view thereof; and

FIG. 6 is a top plan view thereof.

FIG. 7 is a bottom plan view thereof.

FIG. 8 is a front-corner, upper perspective view of an advanced reconnaissance vehicle with wheels removed according to a second embodiment;

FIG. 9 is a front plan view thereof;

FIG. 10 is a rear plan view thereof;

FIG. 11 is a right plan view thereof;

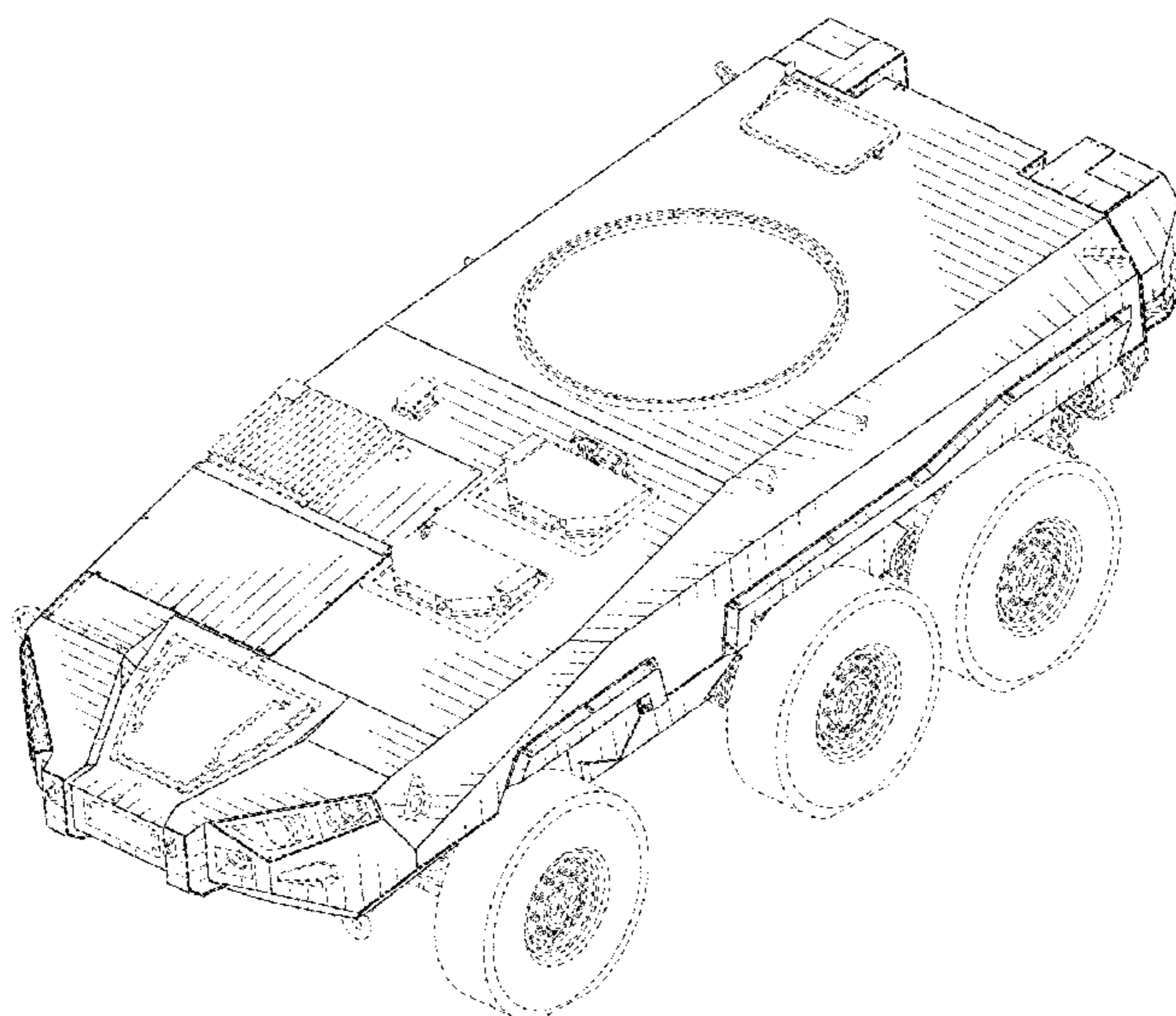
FIG. 12 is a left plan view thereof;

FIG. 13 is a top plan view thereof; and,

FIG. 14 is a bottom plan view thereof.

The broken lines represent portions of the advanced reconnaissance vehicle that form no part of the claimed design.

1 Claim, 12 Drawing Sheets



(58) **Field of Classification Search**
 CPC .. 7/22; B62B 5/04; B62B 13/10; B62B 19/04
 See application file for complete search history.

(56) **References Cited**

U.S. PATENT DOCUMENTS

4,461,202	A *	7/1984	Appelblatt	F41H 7/042
				180/24.11
D289,389	S *	4/1987	Picard	D12/12
D507,764	S *	7/2005	LeBlanc, Sr.	D12/12
D527,685	S *	9/2006	LeBlanc, Sr.	D12/12
8,474,554	B2	7/2013	Howe et al.	
9,873,468	B2	1/2018	Howe et al.	
10,745,065	B2	8/2020	Howe et al.	
D946,467	S *	3/2022	Väärsi	D12/12
D950,412	S *	5/2022	Keman	D12/12
D954,598	S *	6/2022	Keman	D12/12
2014/0057504	A1 *	2/2014	Lee	B60F 3/0015
				440/12.63

FOREIGN PATENT DOCUMENTS

KR	300981756.0000	*	11/2018
TR	201802913-0001	*	5/2018

OTHER PUBLICATIONS

U.S. Marine Corps has received its first Cottonmouth ARV, announced in YouTube on Dec. 10, 2022 [online], [site visited Dec. 30, 2022], Available from the internet URL: <https://www.youtube.com/watch?v=FP6mSnYxD2M>.*

Textron's Cottonmouth emerges for USMC recce vehicle requirement, available in Janes.com, announced Year 2021 [online], [site visited Dec. 30, 2022], Internet URL: <https://www.janes.com/defence-news/news-detail/textrons-cottonmouth-emerges-for-usmc-recce-vehicle-requirement>.*

Howe, Michael, et al.; "Tracked Vehicle," U.S. Appl. No. 29/709,301, filed Oct. 13, 2019.

Howe, Michael, et al.; "Tracked Vehicle," U.S. Appl. No. 29/709,302, filed Oct. 13, 2019.

Howe, Michael, et al.; "Tracked Vehicle," U.S. Appl. No. 29/709,303, filed Oct. 13, 2019.

Howe, Michael, et al.; "Vehicle With Deployable Towing Wheels and Suspension," U.S. Appl. No. 16/887,543, filed May 29, 2020.

* cited by examiner

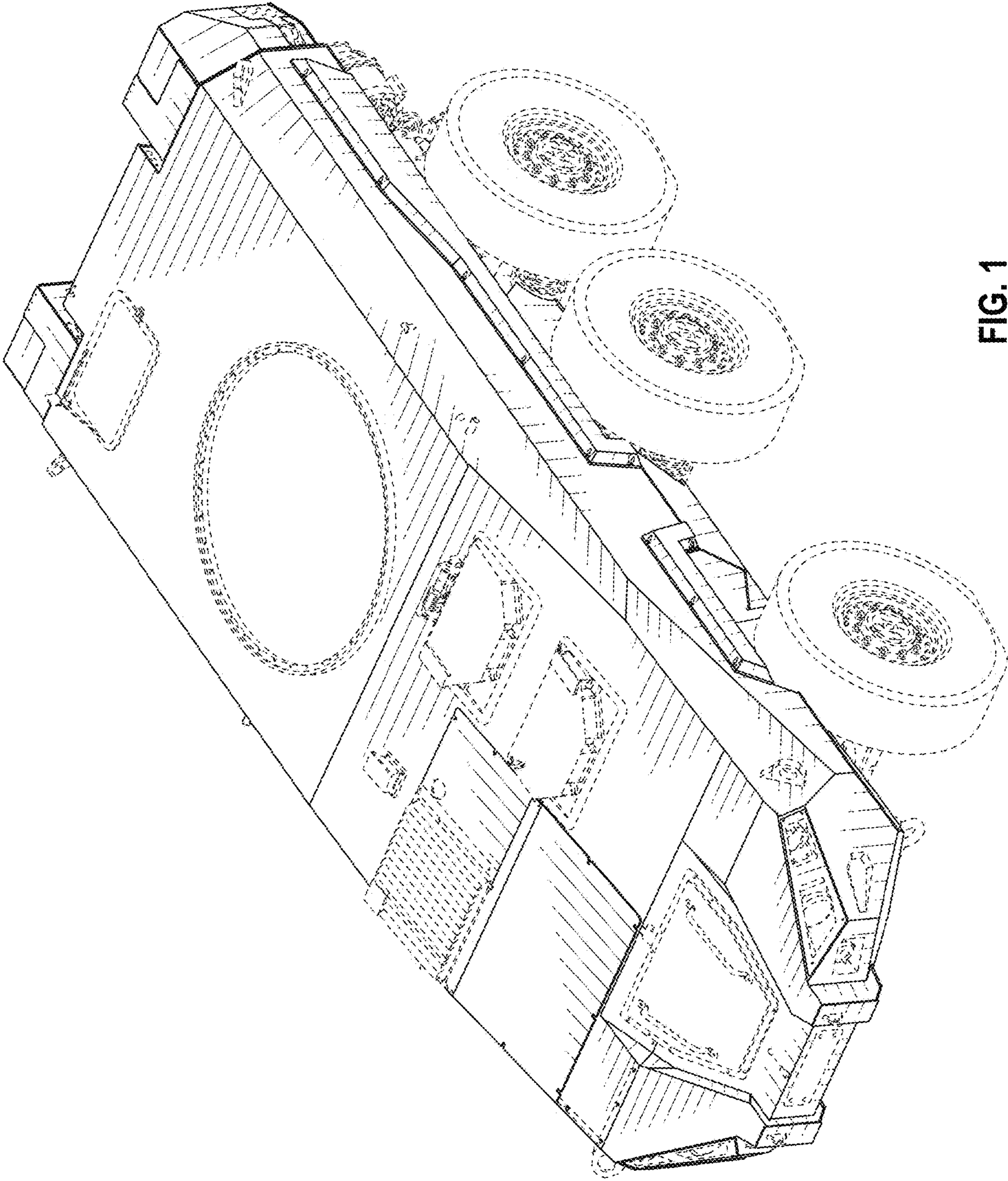


FIG. 1

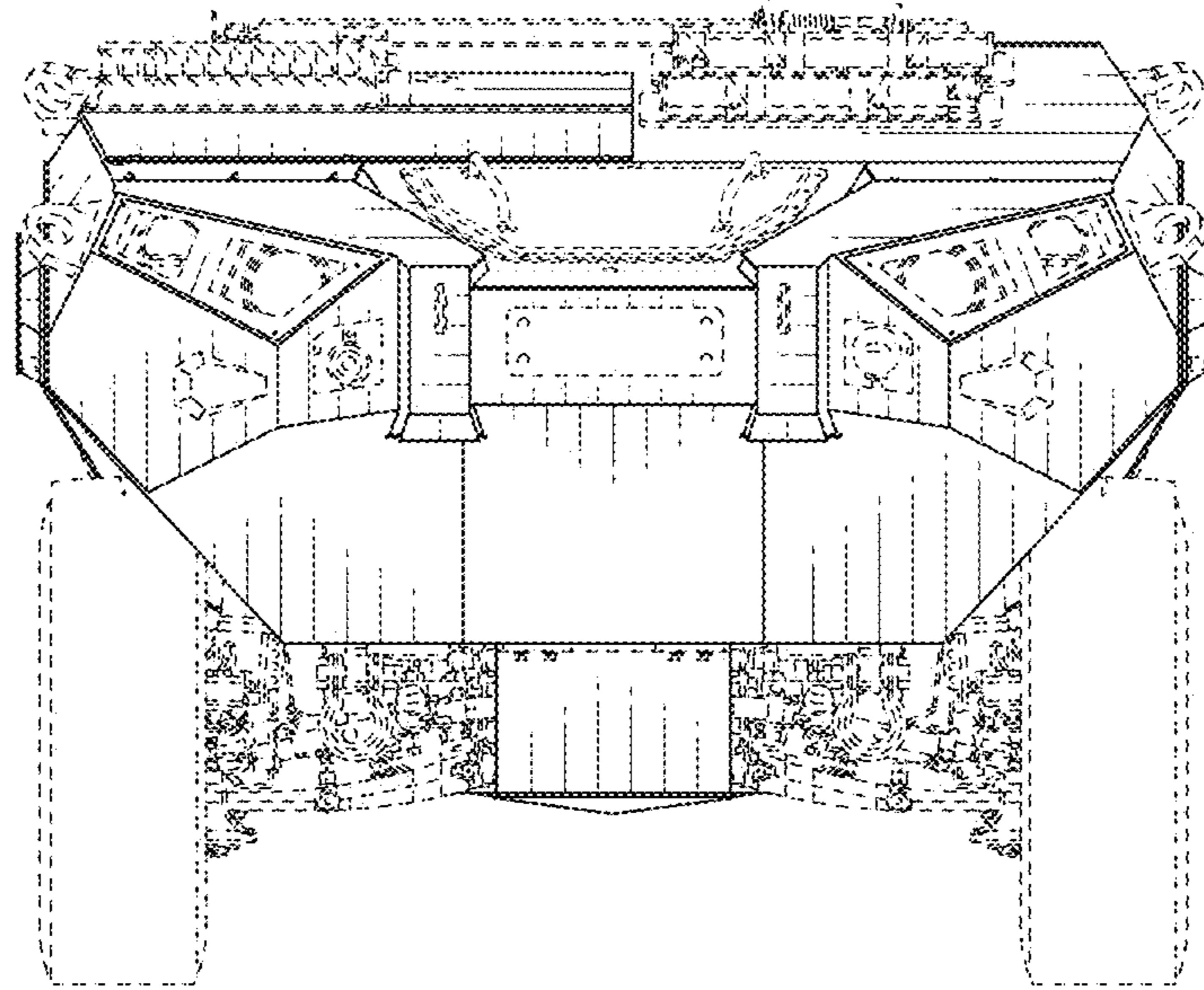


FIG. 2

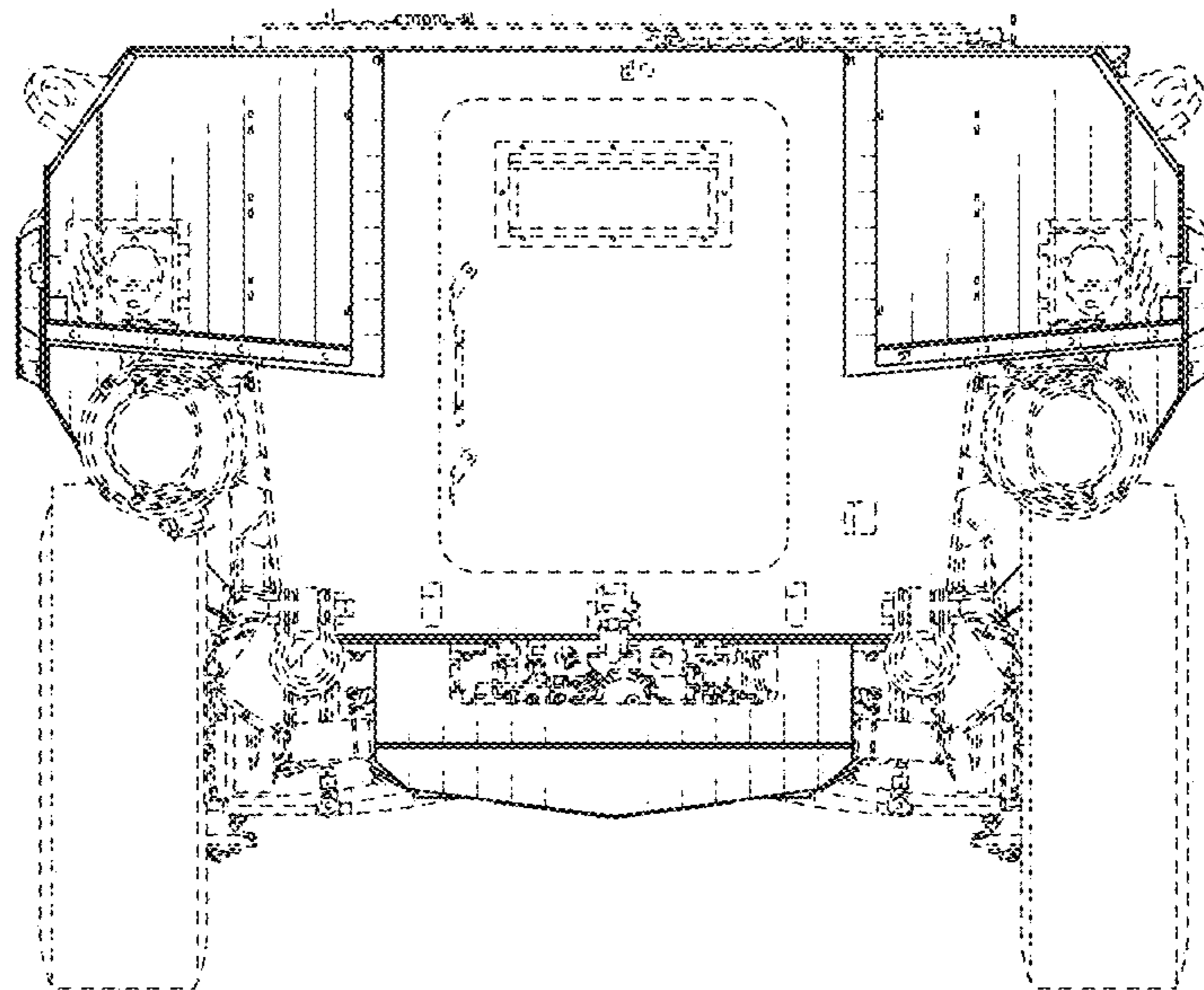


FIG. 3

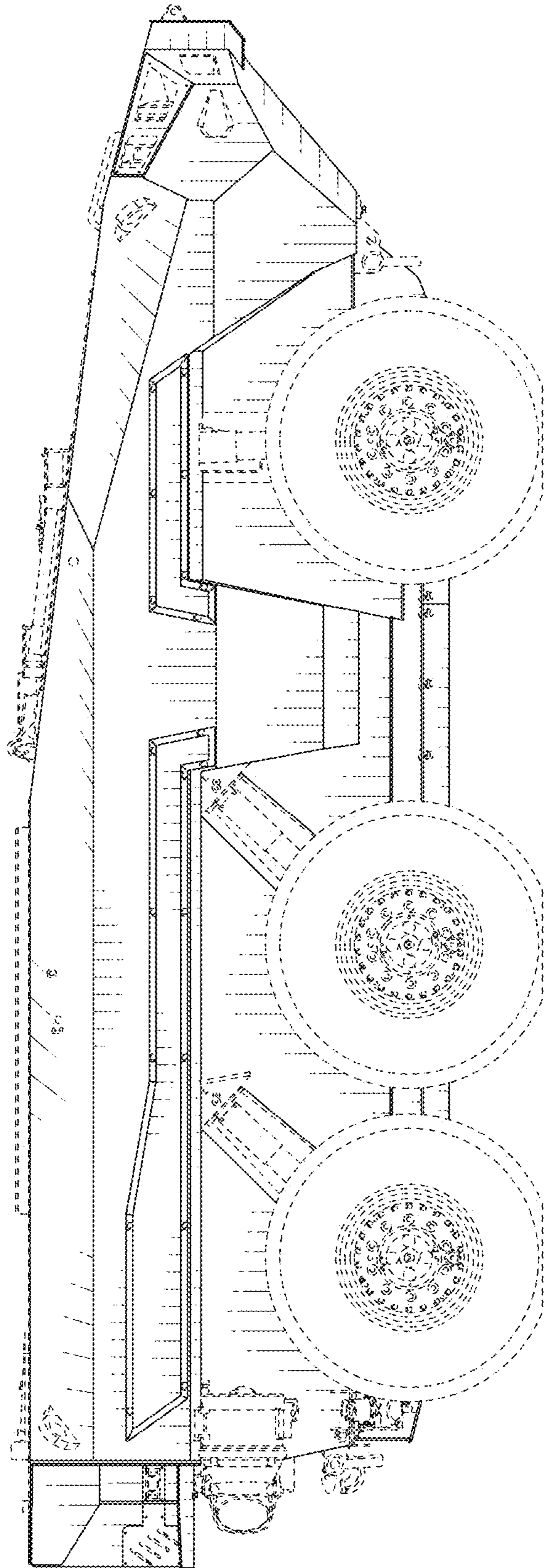


FIG. 4

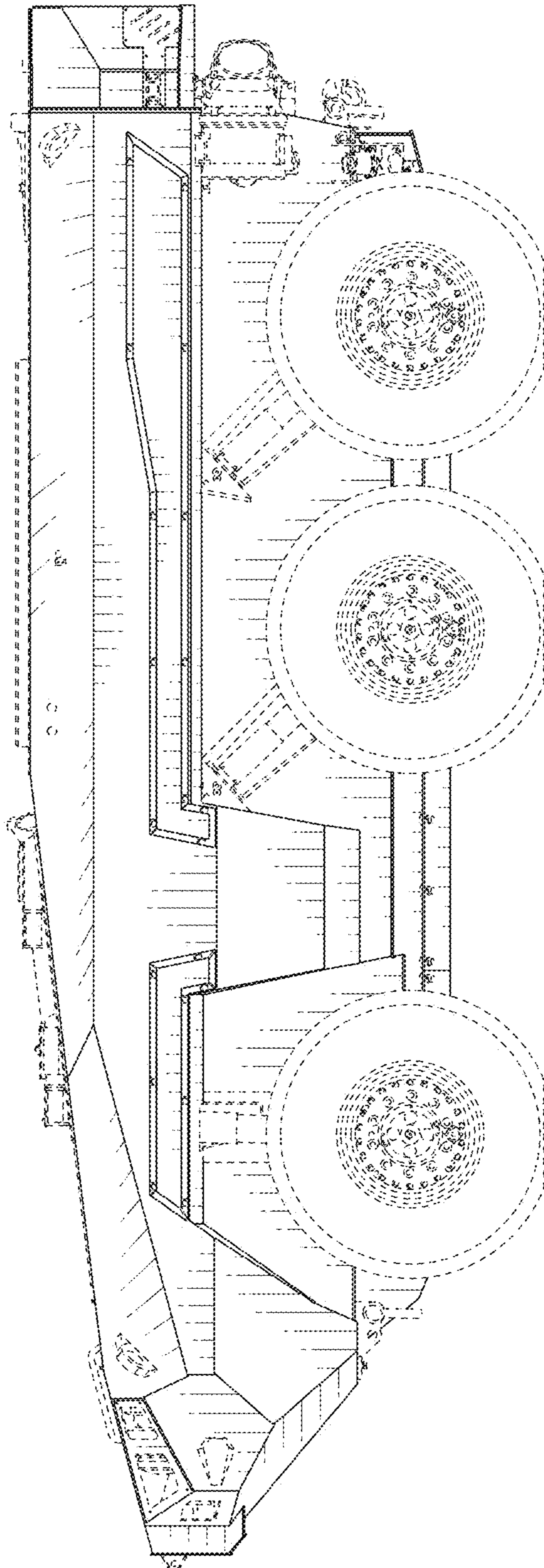


FIG. 5

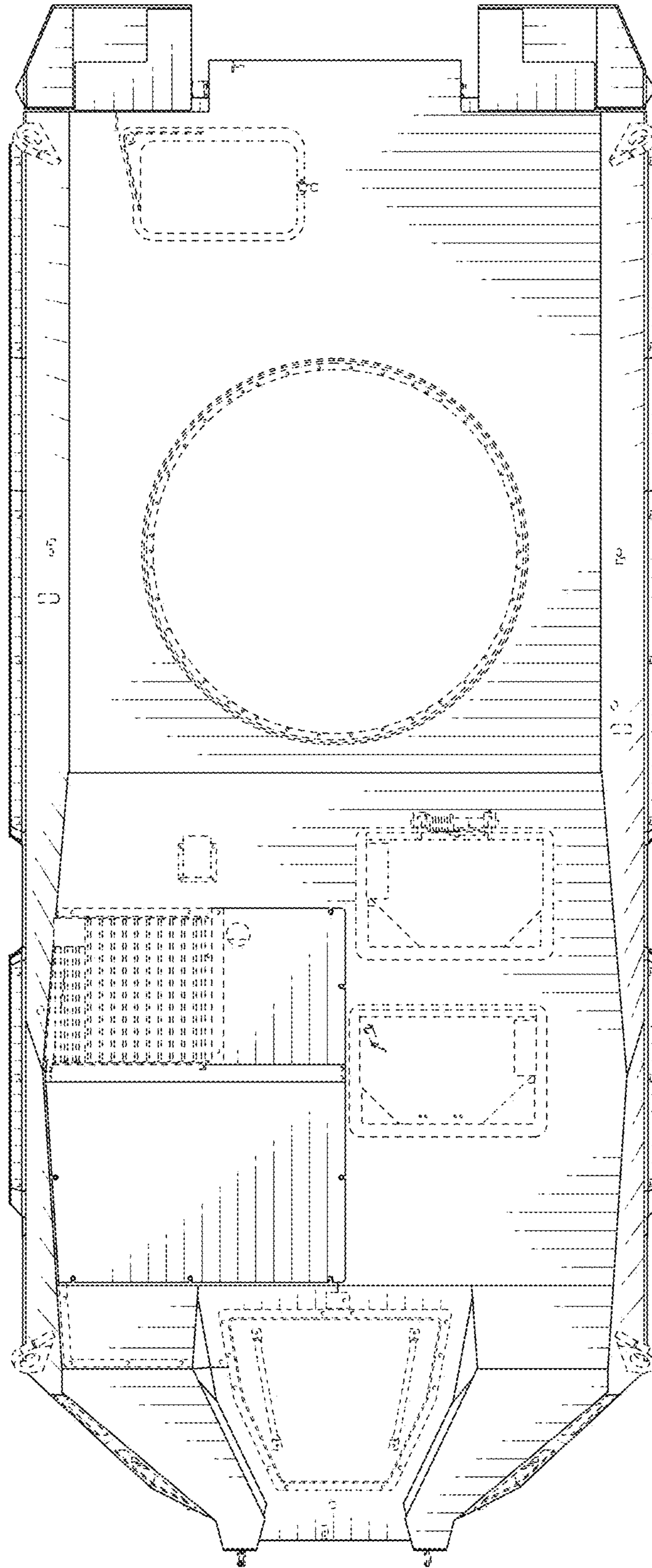


FIG. 6

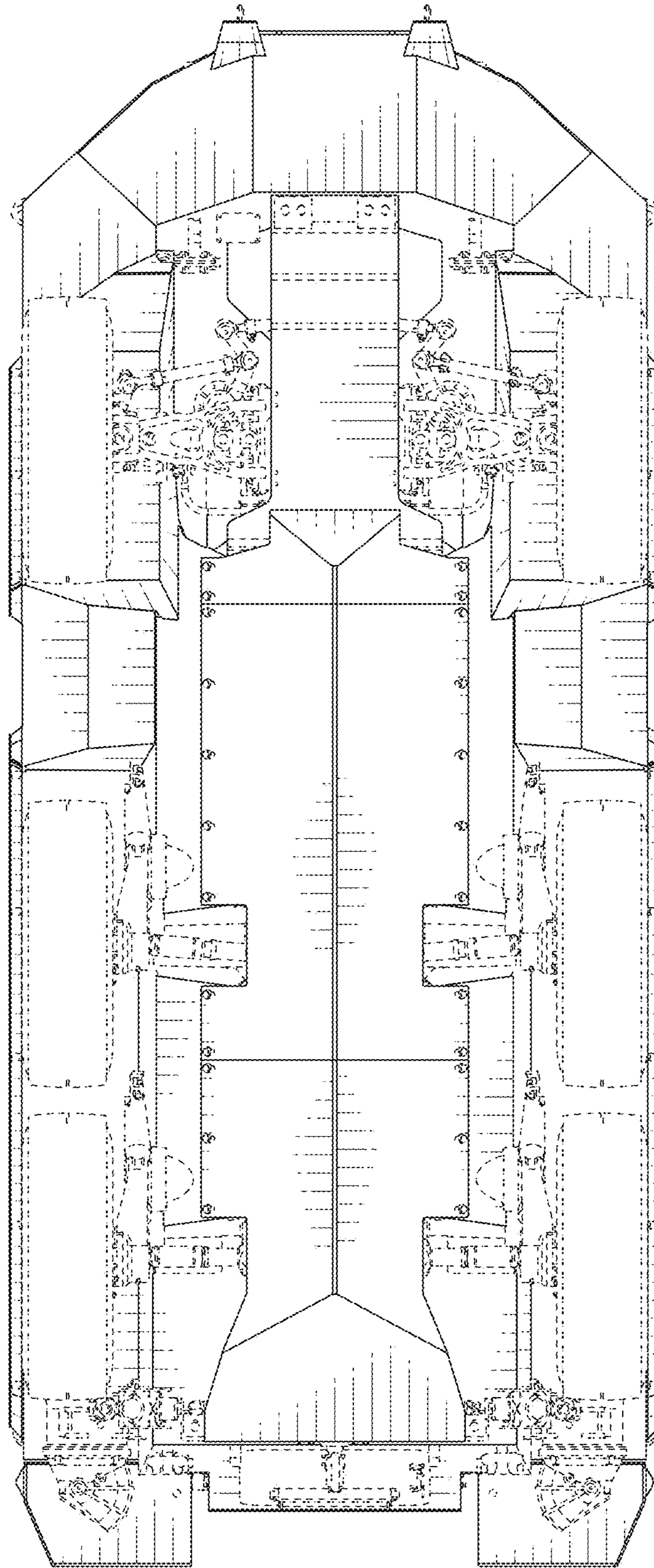


FIG. 7

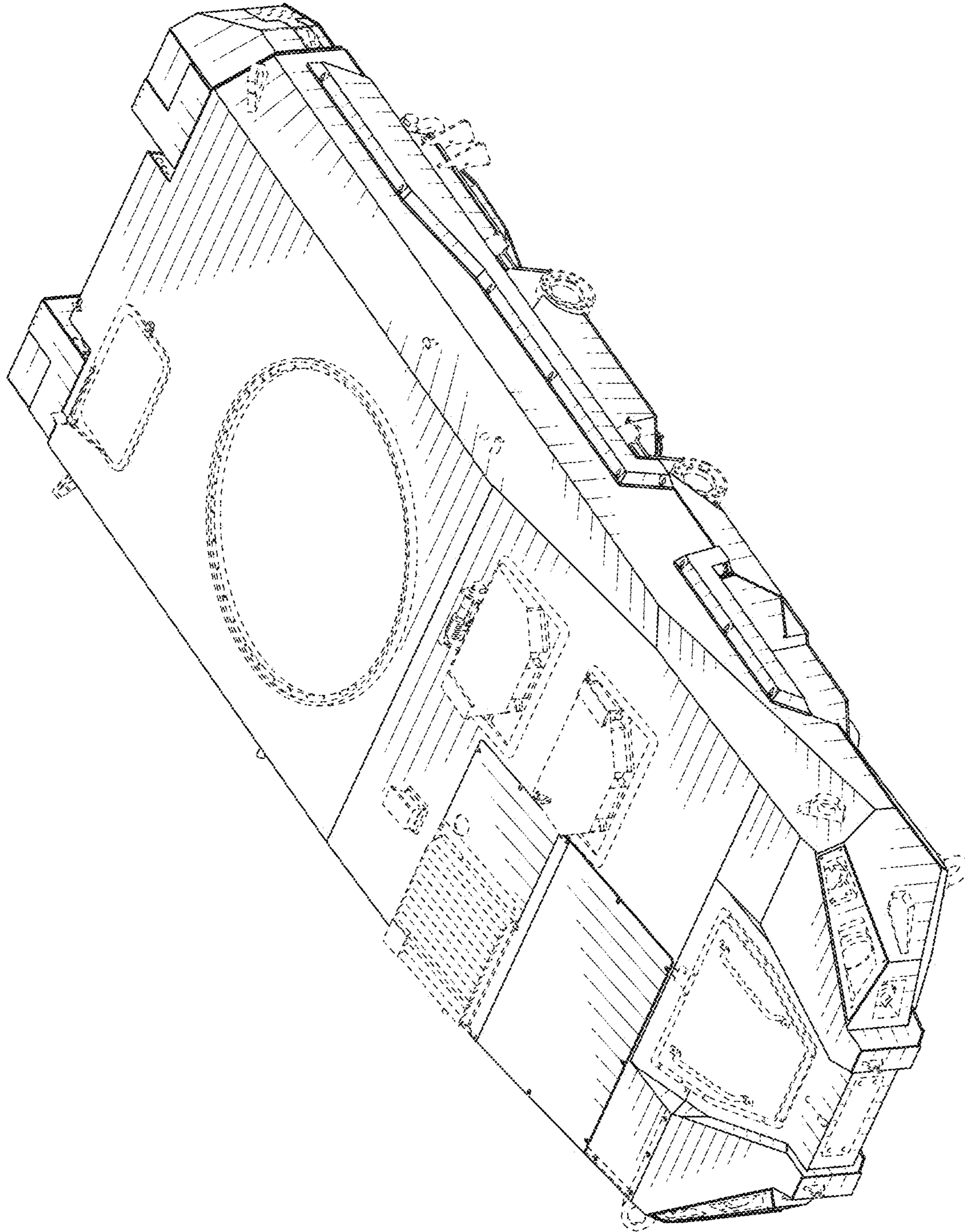


FIG. 8

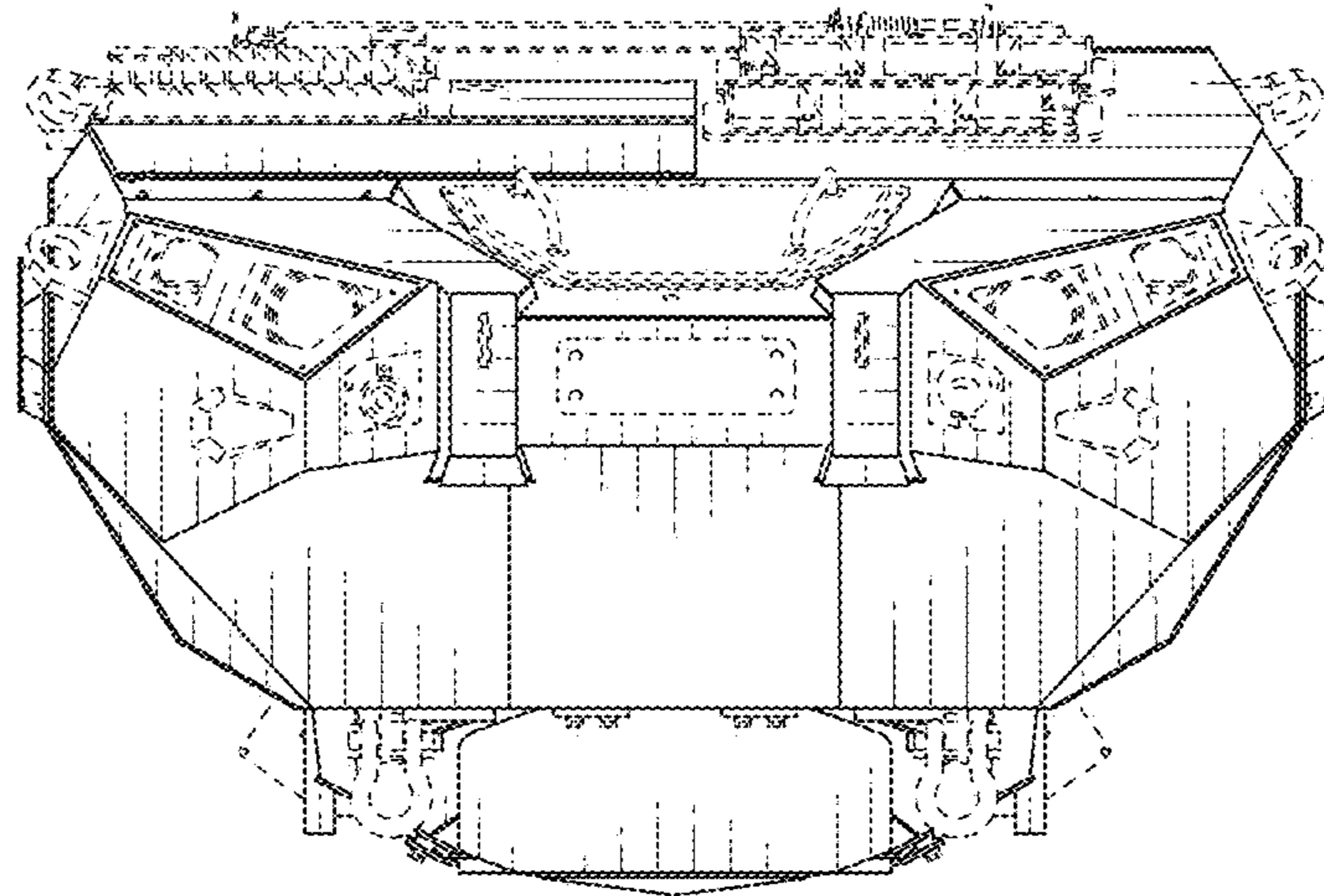


FIG. 9

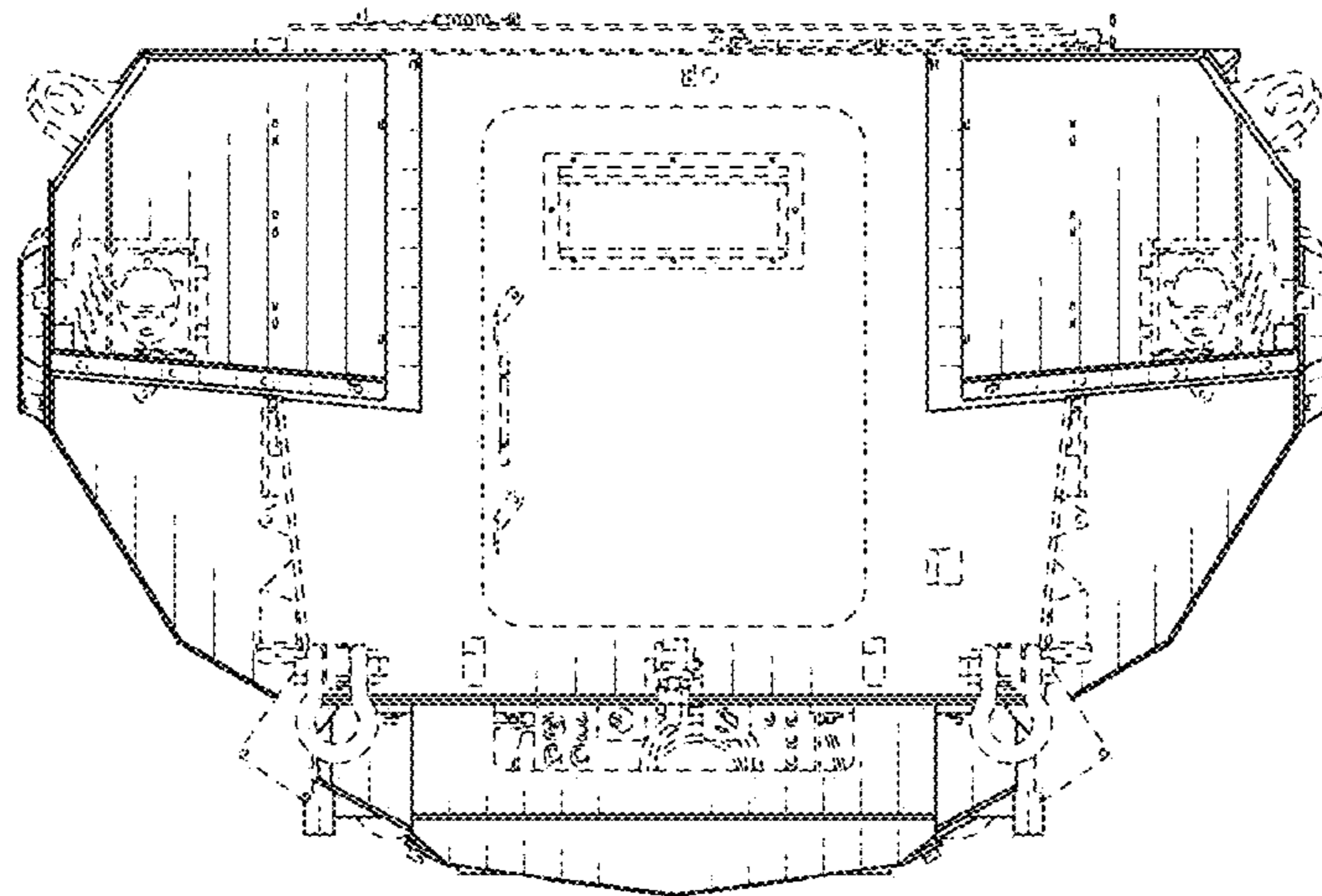


FIG. 10

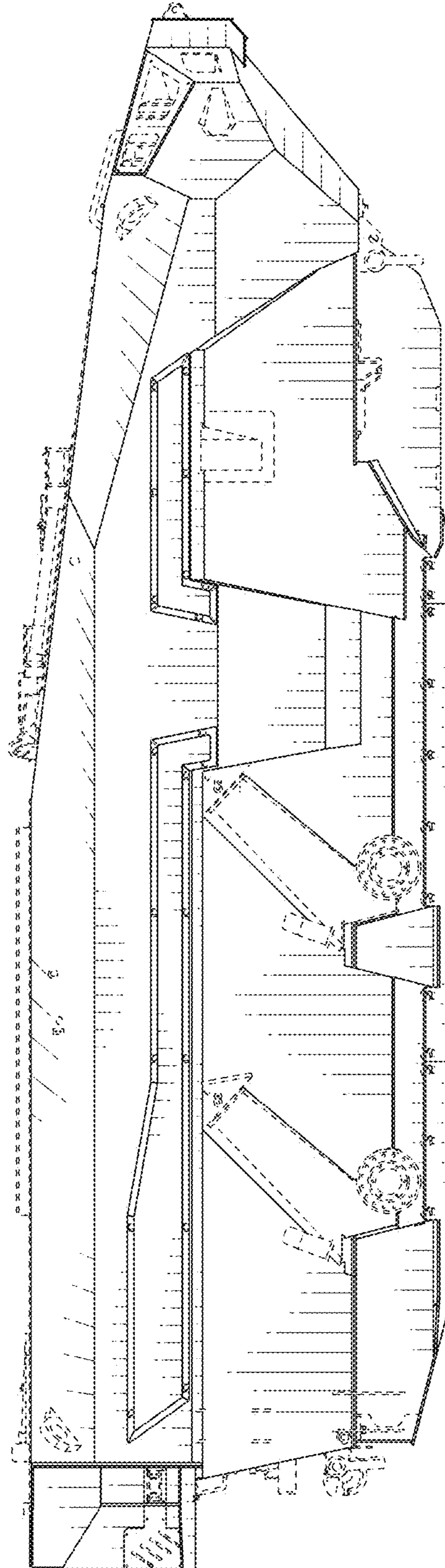


FIG. 11

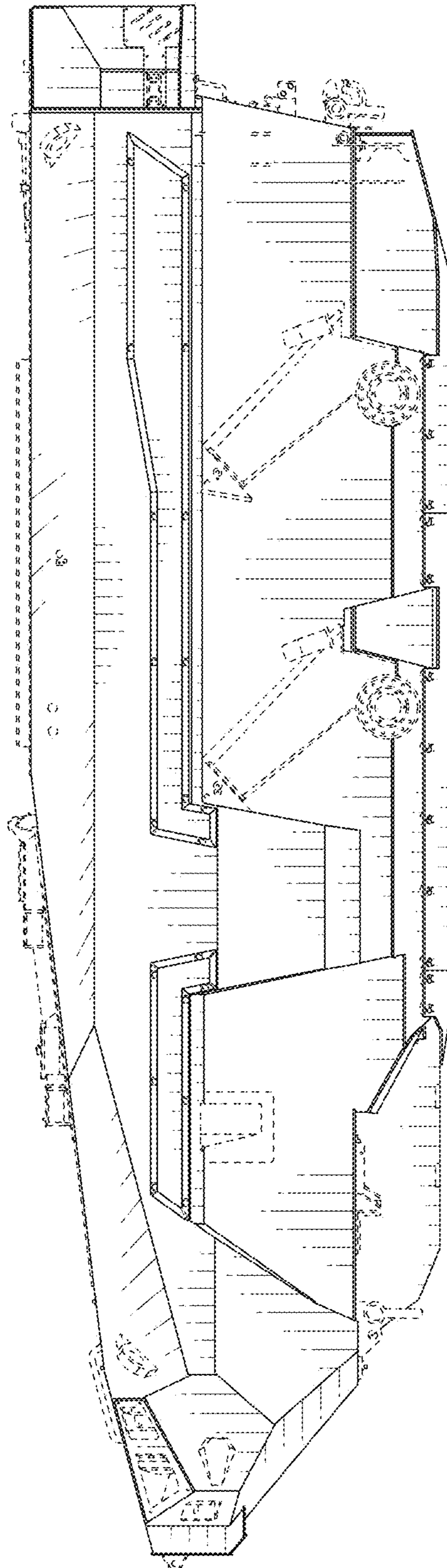


FIG. 12

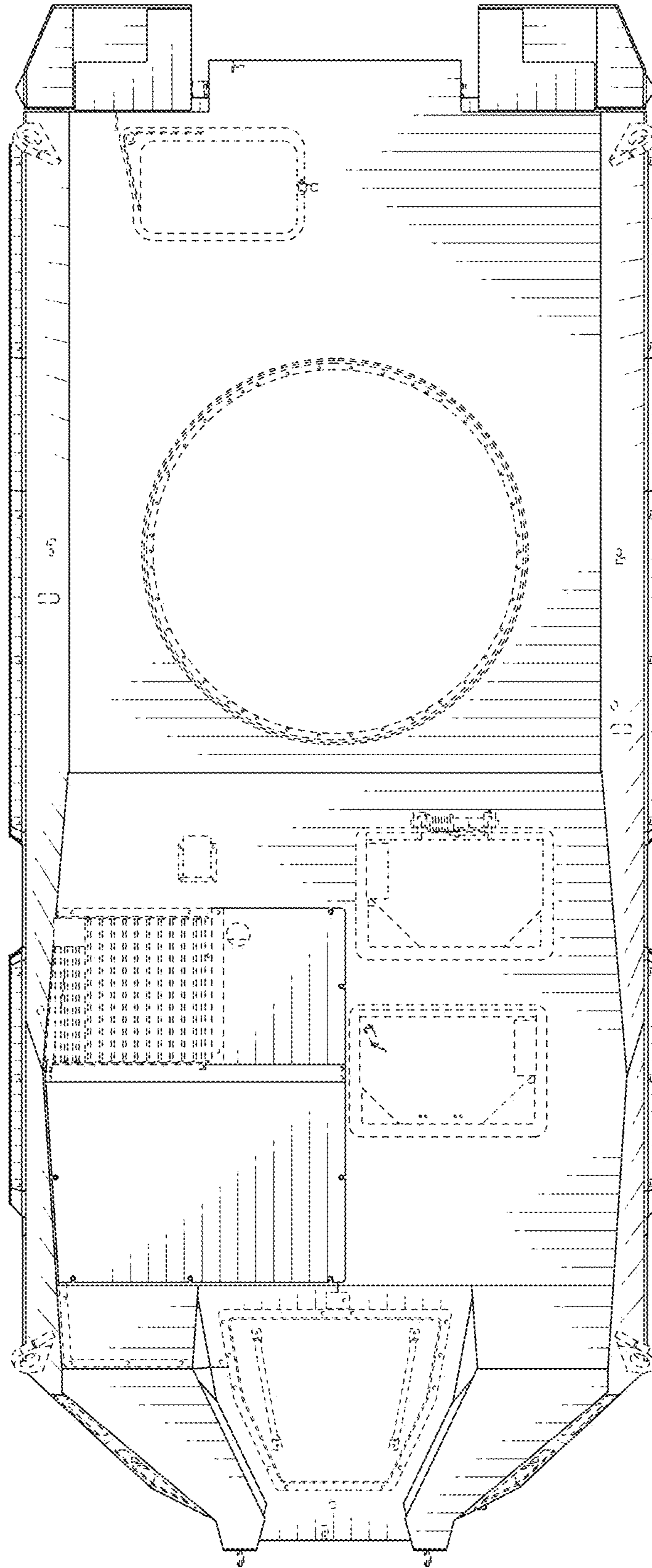


FIG. 13

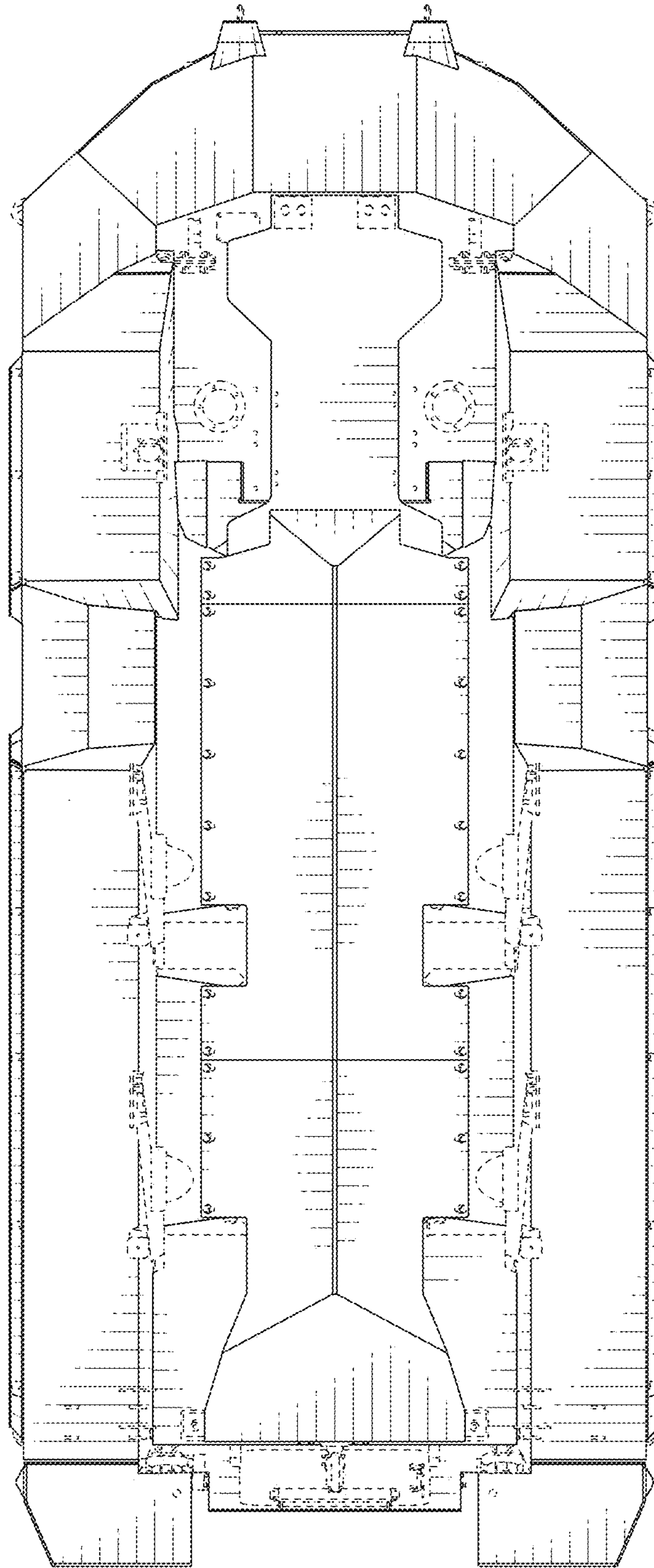


FIG. 14

UNITED STATES PATENT AND TRADEMARK OFFICE
CERTIFICATE OF CORRECTION

PATENT NO. : D988,188 S
APPLICATION NO. : 29/770350
DATED : June 6, 2023
INVENTOR(S) : Giovanni Eduardo Sequeira et al.

Page 1 of 1

It is certified that error appears in the above-identified patent and that said Letters Patent is hereby corrected as shown below:

On the Title Page

Item [72]:

“Eduardo Sequeira Giovanni, Abita Springs, LA (US); Edward Lawrence Broom, Pearl River, LA (US)”

Should read:

--Eduardo Sequeira Giovanni, Abita Springs, LA (US); Edward Lawrence Broom, Pearl River, LA (US); Forrest Joel Tripp, East Waterboro, ME (US); Michael Howe, Biddeford, ME (US)--

Signed and Sealed this
Thirteenth Day of February, 2024
Katherine Kelly Vidal

Katherine Kelly Vidal
Director of the United States Patent and Trademark Office