



US00D988187S

(12) **United States Design Patent** (10) **Patent No.:** **US D988,187 S**
Dumas (45) **Date of Patent:** **** Jun. 6, 2023**

(54) **BUCKLE**
(71) Applicant: **HERMES SELLIER (Société par actions simplifiée)**, Paris (FR)
(72) Inventor: **Pierre-Alexis Dumas**, Paris (FR)
(**) Term: **15 Years**
(21) Appl. No.: **35/512,551**
(22) Filed: **Mar. 11, 2021**

D342,920 S * 1/1994 Kirk D11/231
D342,922 S * 1/1994 Kirk D11/231
D416,828 S * 11/1999 Hwang D11/237
D479,812 S * 9/2003 Galvani D11/234
D543,488 S * 5/2007 Tobergte D11/234
D571,550 S * 6/2008 Valle D2/976
D578,933 S * 10/2008 Brown D11/231
D579,819 S * 11/2008 Brown D11/231
D579,820 S * 11/2008 Brown D11/231
D619,928 S * 7/2010 Bodino D11/231
D755,076 S * 5/2016 Blocker D11/231
D807,781 S * 1/2018 Frisoni D11/231
D856,190 S * 8/2019 Dumas D11/231
D932,367 S * 10/2021 Fulop D11/231

(80) **Hague Agreement Data**
Int. Filing Date: **Mar. 11, 2021**
Int. Reg. No.: **DM/213256**
Int. Reg. Date: **Mar. 11, 2021**
Int. Reg. Pub. Date: **Sep. 17, 2021**
(51) **LOC (14) Cl.** **02-07**
(52) **U.S. Cl.**
USPC **D11/231**
(58) **Field of Classification Search**
USPC D11/200, 201, 202, 212, 218, 219, 231,
D11/232, 234, 235, 236; D2/624, 625,
D2/627, 639; D30/136
CPC A44B 11/00; A44B 11/001; A44B 11/005;
A44B 11/006; A44B 11/008; A44B 11/02;
A44B 11/20; A44B 11/22; A44B 11/223;
A44B 11/226; A44B 11/24; B68C 1/14
See application file for complete search history.

OTHER PUBLICATIONS

Belt Buckles—"Ambassador" Single Prong Roller (Stainless Steel), <https://www.rmleathersupply.com/products/belt-buckles-ambassador-single-prong-roller-stainless-steel?variant=29391164145773>, © 2022 Rocky Mountain Leather Supply. (Year: 2022).*
Craftmore Solid Brass Belt Buckle Single Prong Belt Buckle for Replacement DIY Leather Craft SCBB (1 Inch—FR549), https://www.amazon.com/dp/B099PPKF2R/ref=sspa_dk_detail_1?psc=1&pd_rd_i=B099PPKF2R&pd_rd_w=zrahT&content-id=amzn1.sym.bff6e147-54ad-4be3-b4ea-ec19ea, Jul. 1, 2021. (Year: 2021).*

* cited by examiner

Primary Examiner — Elizabeth J Oswecki

(57) **CLAIM**

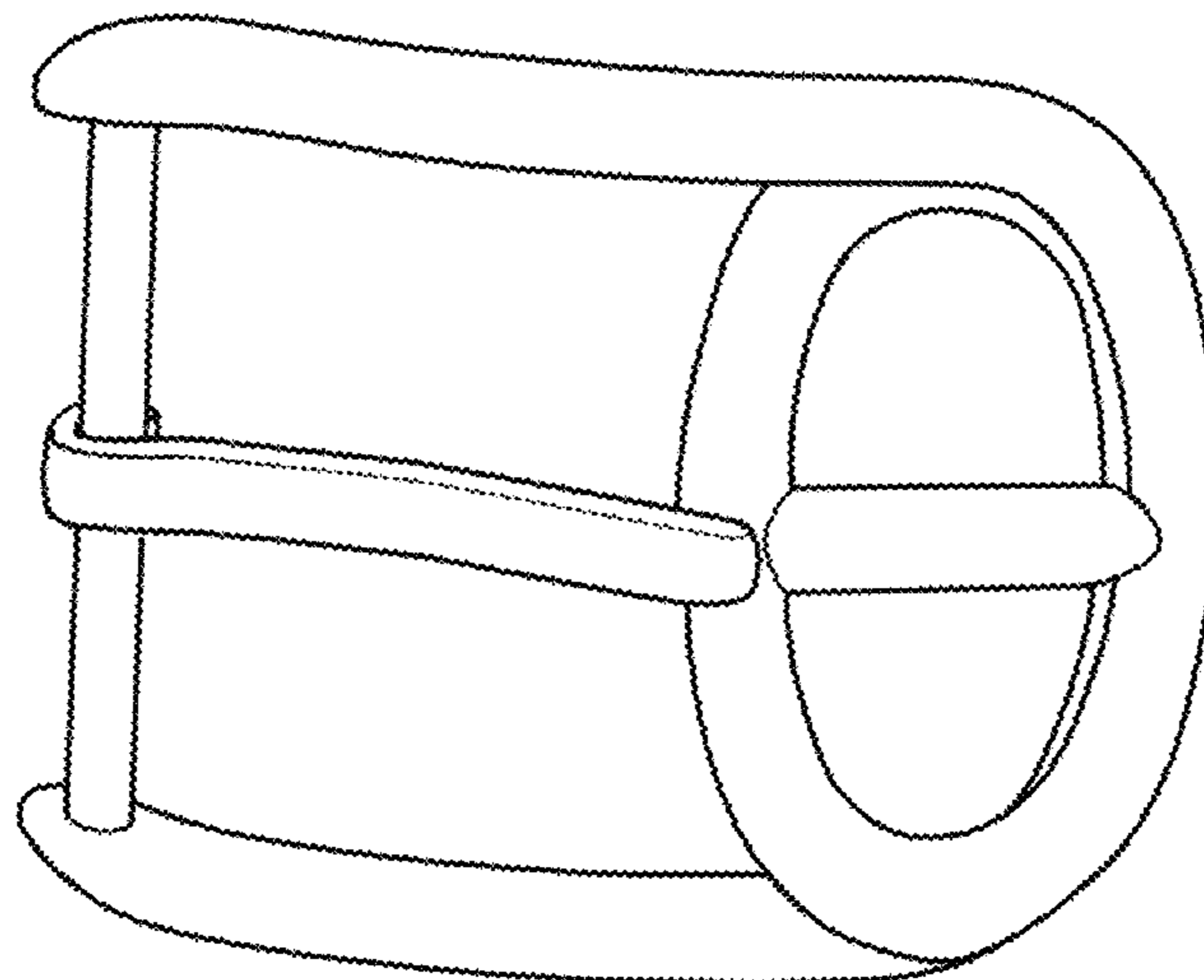
The ornamental design for a buckle, as shown and described.

DESCRIPTION

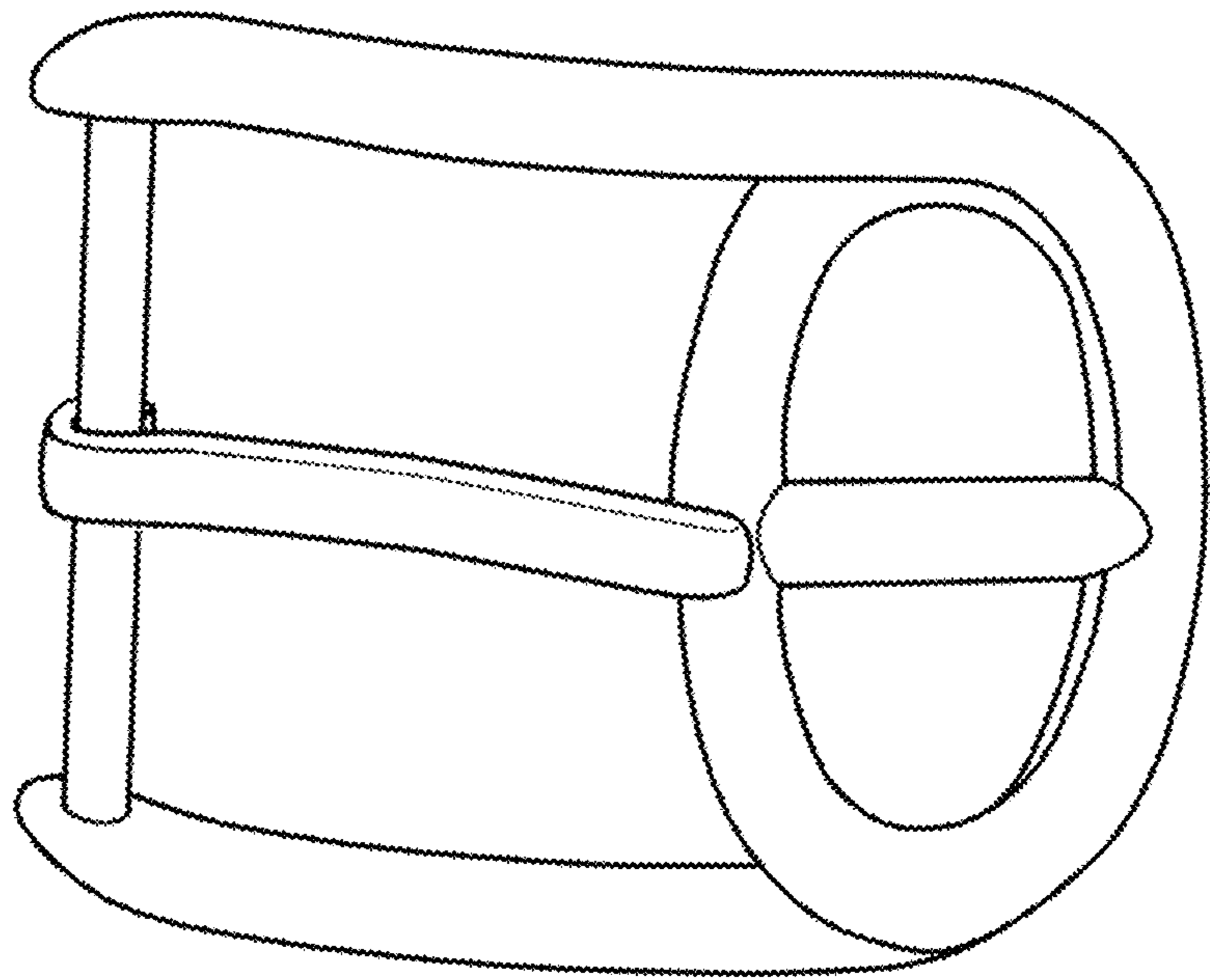
- 1. Buckle
- 1.1 : Perspective
- 1.2 : Front
- 1.3 : Back
- 1.4 : Right
- 1.5 : Left
- 1.6 : Top
- 1.7 : Bottom

1 Claim, 7 Drawing Sheets

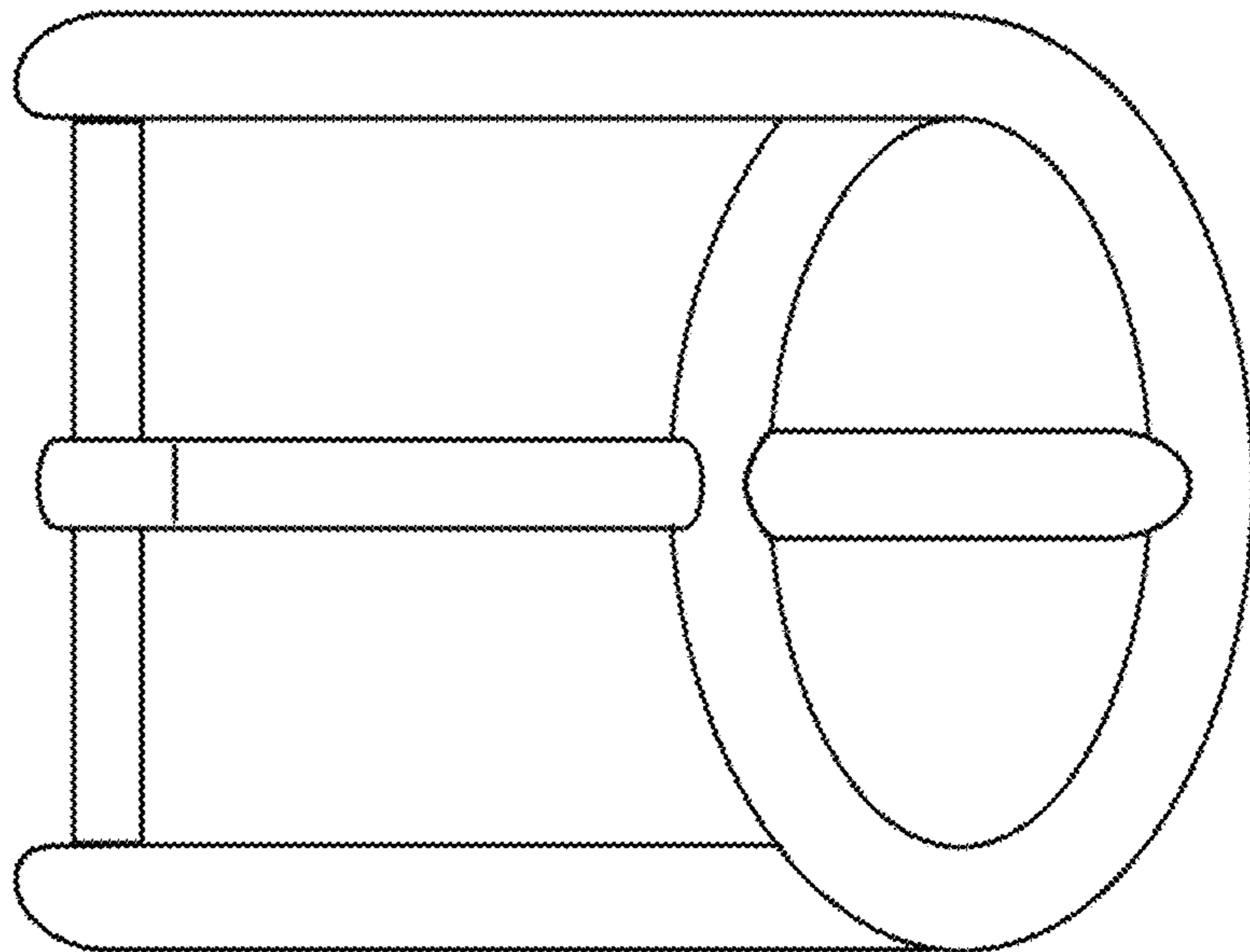
(56) **References Cited**
U.S. PATENT DOCUMENTS
D123,025 S * 10/1940 Colnes D11/231
D127,287 S * 5/1941 Stelzer D11/232
D130,445 S * 11/1941 Kasen D11/231
D134,306 S * 11/1942 Lipari D11/231
2,342,304 A * 2/1944 Schreiber A44B 11/22
24/178
D175,438 S * 8/1955 Henning D11/231
2,783,516 A * 3/1957 Stein A44B 11/22
D11/231



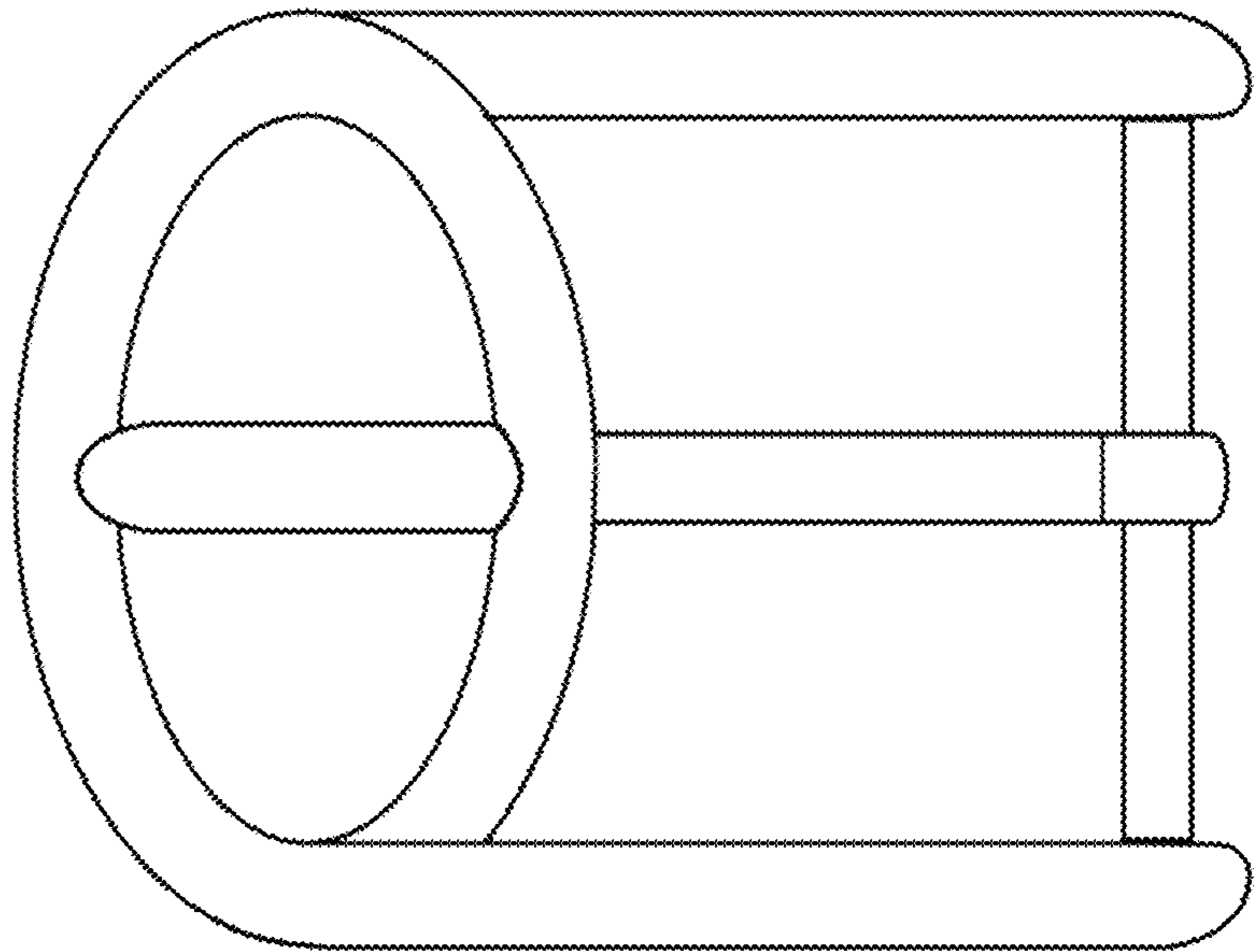
1.1



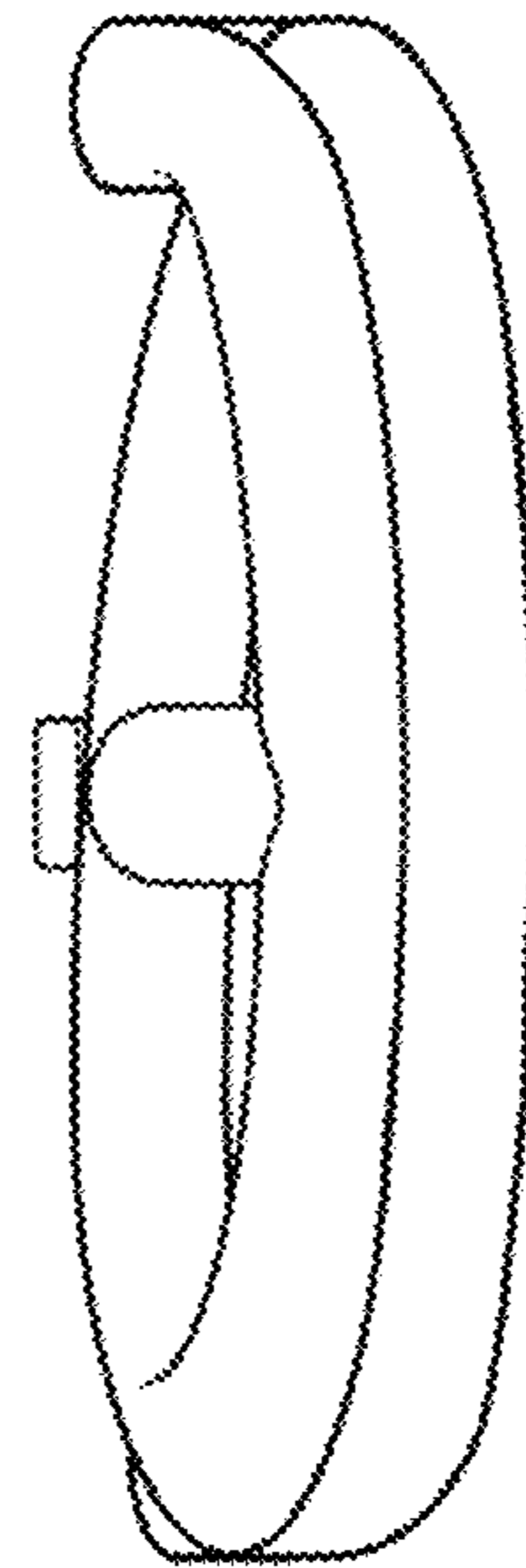
1.2



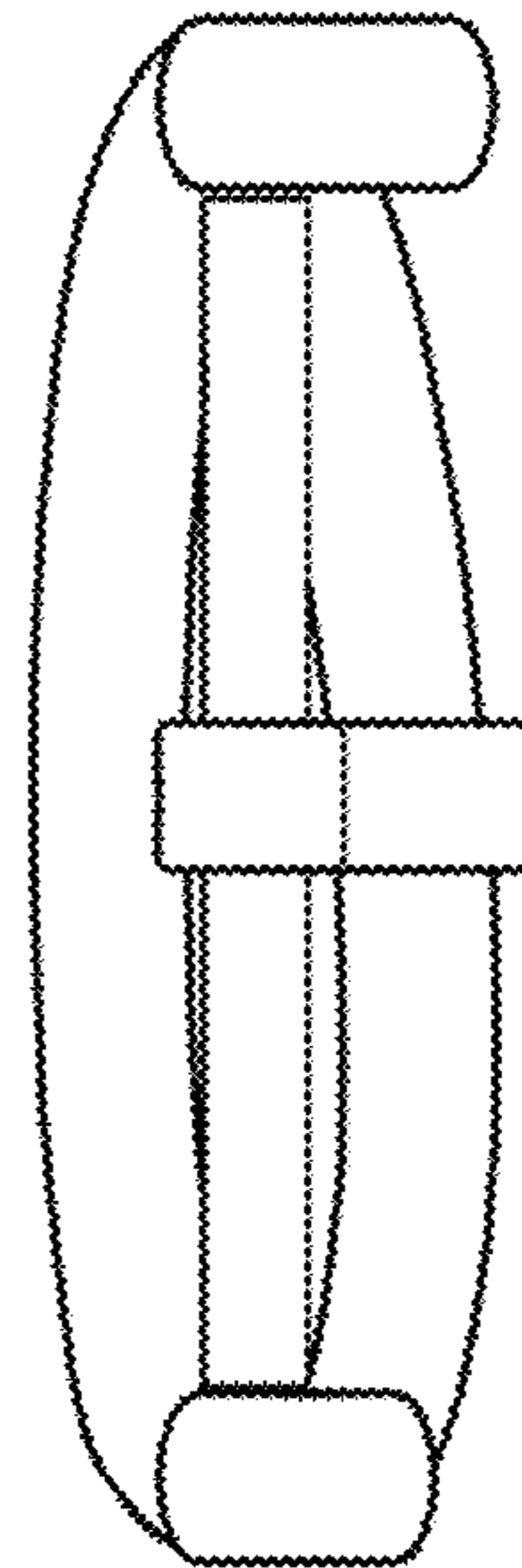
1.3



1.4



1.5



1.6



1.7

