



US00D988185S

(12) **United States Design Patent**
Dong et al.

(10) **Patent No.:** **US D988,185 S**
(45) **Date of Patent:** **** Jun. 6, 2023**

- (54) **HYDROPONIC PLANTER**
- (71) Applicant: **Shenzhen XingShang Technology Co. Ltd., Shenzhen (CN)**
- (72) Inventors: **Wei Dong, Shenzhen (CN); Chengye Cao, Shenzhen (CN)**
- (73) Assignee: **Shenzhen XingShang Technology Co. Ltd., Shenzhen (CN)**
- (**) Term: **15 Years**
- (21) Appl. No.: **29/854,809**
- (22) Filed: **Sep. 28, 2022**
- (30) **Foreign Application Priority Data**

Mar. 29, 2022 (CN) 202230167539.1

- (51) **LOC (14) Cl.** **11-02**
- (52) **U.S. Cl.**
USPC **D11/144; D11/143**
- (58) **Field of Classification Search**
USPC D6/403-405, 556-558; D11/143-156,
D11/164; D26/34, 55, 62, 73, 93, 102,
D26/125
CPC A01G 9/02; A01G 9/021; A01G 31/06;
A01G 7/045; F21S 6/006
See application file for complete search history.

(56) **References Cited**

U.S. PATENT DOCUMENTS

D416,102 S *	11/1999	Schulman	D11/144
D586,688 S *	2/2009	Bromley	D11/144
D604,196 S *	11/2009	Bissonnette	D11/144
D604,197 S *	11/2009	Bissonnette	D11/144
D729,115 S *	5/2015	Prinster	D11/144
D888,603 S *	6/2020	Tong	D11/144
D924,724 S *	7/2021	Li	D11/155
D932,346 S *	10/2021	Song	D11/156
D943,133 S *	2/2022	Chen	D26/61
D945,921 S *	3/2022	Chang	D11/144

D949,049 S *	4/2022	Lin	D11/155
D951,131 S *	5/2022	Qu	D11/155
D951,135 S *	5/2022	Lin	D11/155
D958,440 S *	7/2022	Chen	D26/93
D970,778 S *	11/2022	Qu	D11/144
D972,450 S *	12/2022	Lin	D26/93
D974,228 S *	1/2023	Lin	D11/144
D975,582 S *	1/2023	Zhou	D11/144

OTHER PUBLICATIONS

Entcook 12 Pods, Walmart Online Product Page. Earliest Review Date: Feb. 13, 2023. Date Accessed: Feb. 14, 2023. Retrieved from Internet URL: <https://www.walmart.com/ip/Entcook-12-Pods-Hydroponics-Growing-System-Indoor-Herb-Garden-Planter-with-30W-LED-Grow-Light-up-to-30/1273784887?athbdg=L1400> (Year: 2023).*

* cited by examiner

Primary Examiner — S. Bryan Reinholdt, Jr.

Assistant Examiner — Kaitlan N. Oliver

(74) *Attorney, Agent, or Firm* — Nitin Kaushik

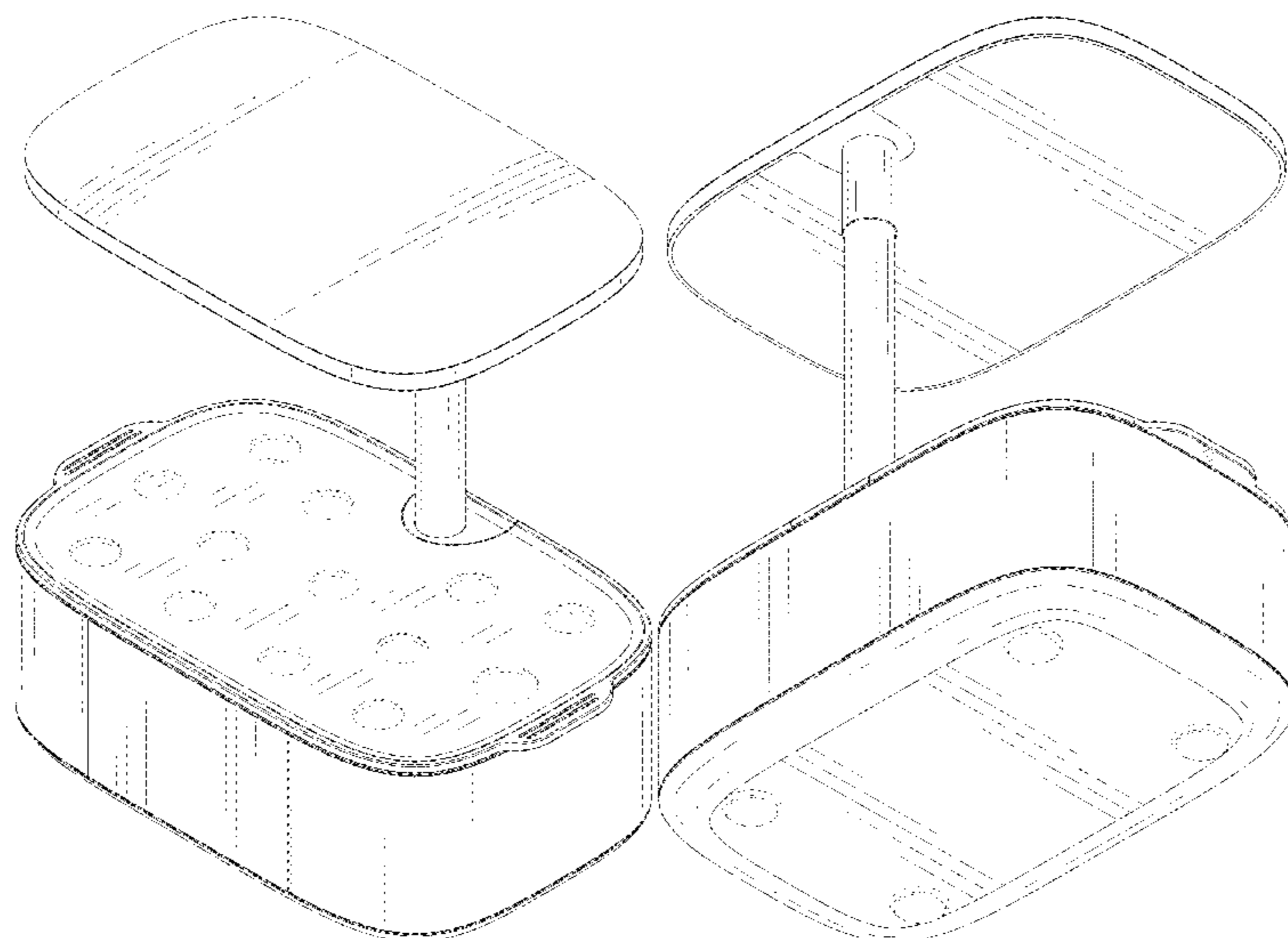
(57) **CLAIM**

The ornamental design for a hydroponic planter, as shown and described.

DESCRIPTION

FIG. 1 is a front perspective view of a hydroponic planter, showing our new design;
FIG. 2 is a rear perspective view thereof;
FIG. 3 is a front view thereof;
FIG. 4 is a rear view thereof;
FIG. 5 is a left side view thereof;
FIG. 6 is a right side view thereof;
FIG. 7 is a top view thereof; and,
FIG. 8 is a bottom view thereof.
The broken lines in the drawings illustrate the portions of the hydroponic planter, which form no part of the claimed design.

1 Claim, 8 Drawing Sheets



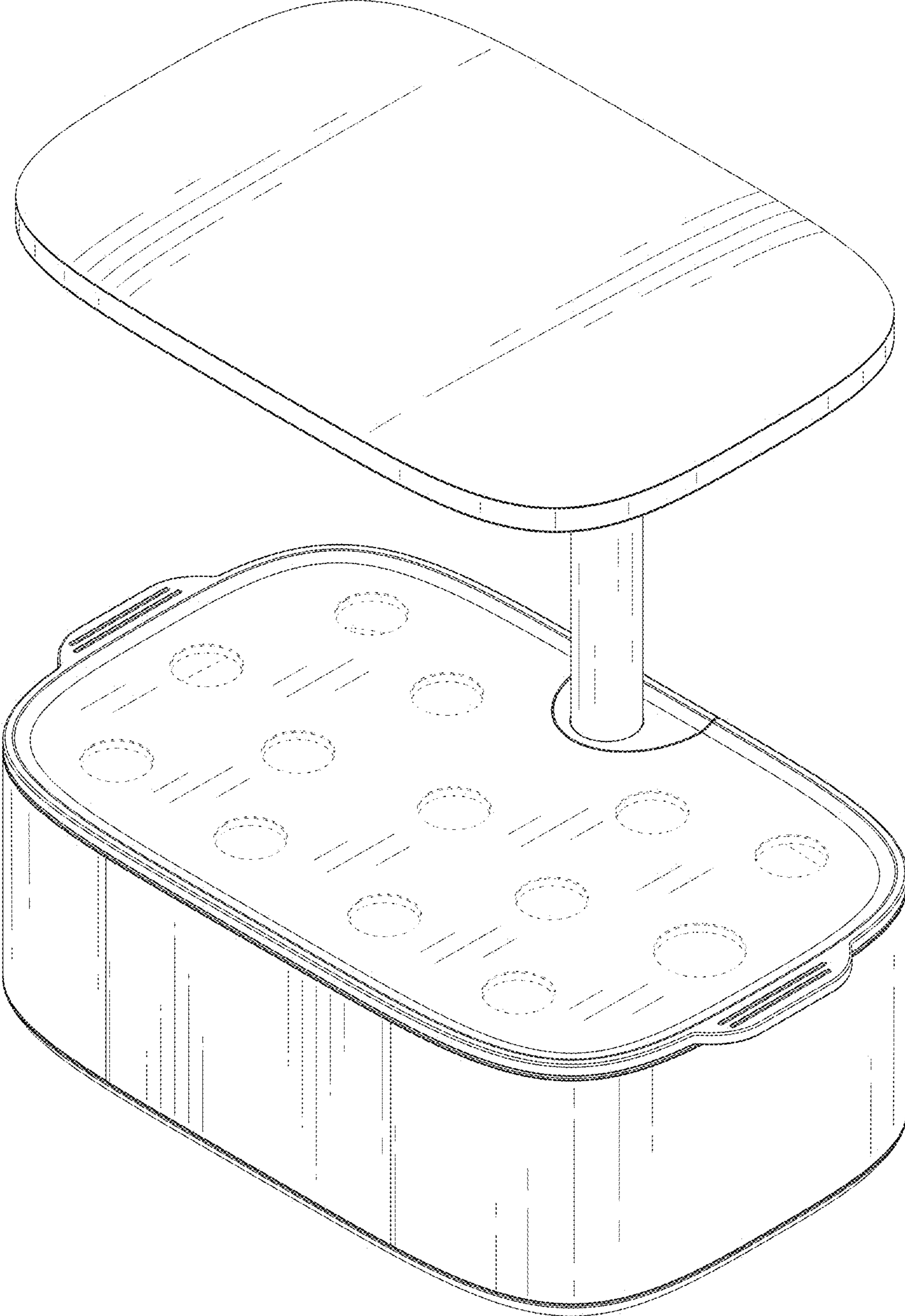


FIG. 1

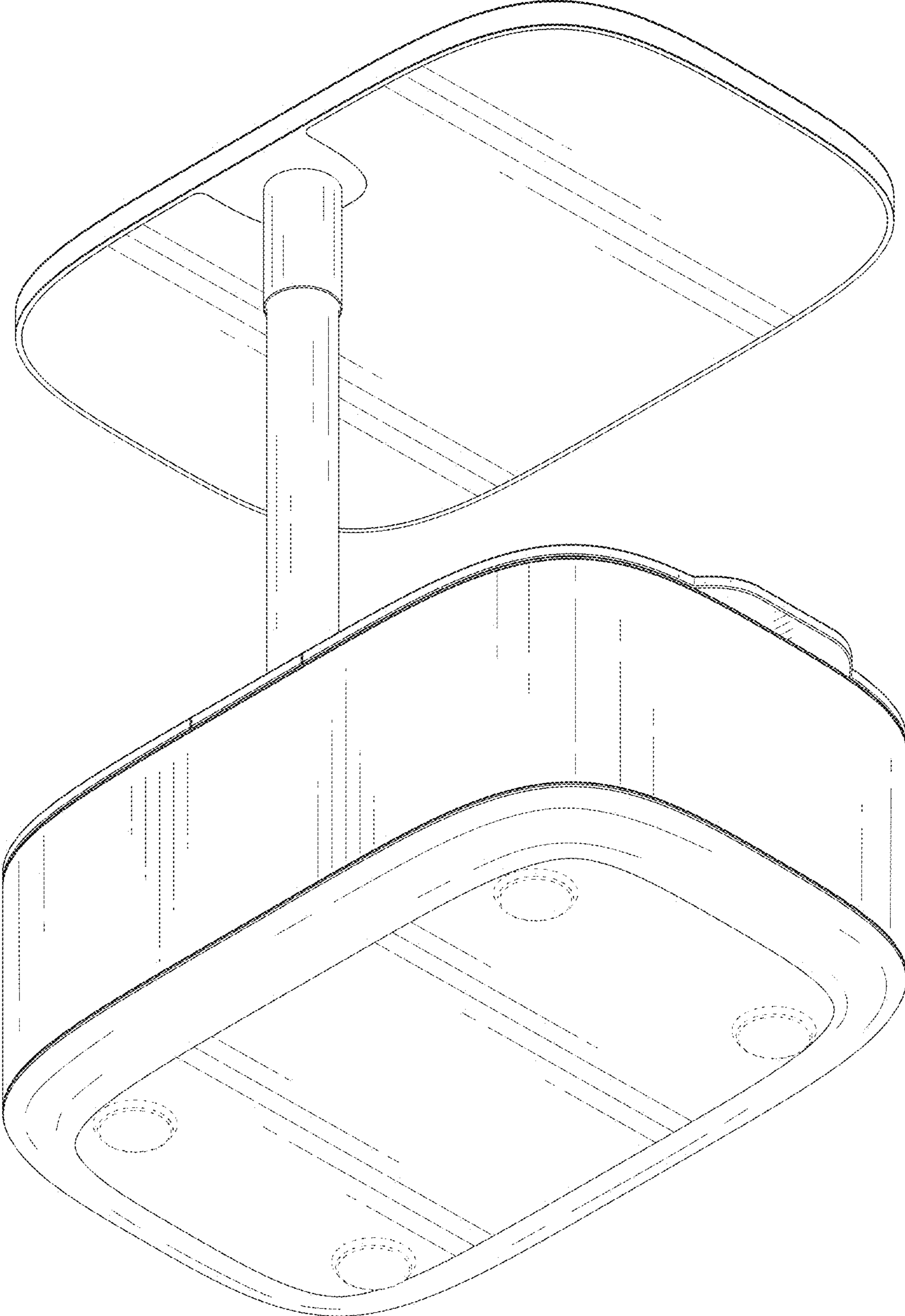


FIG. 2

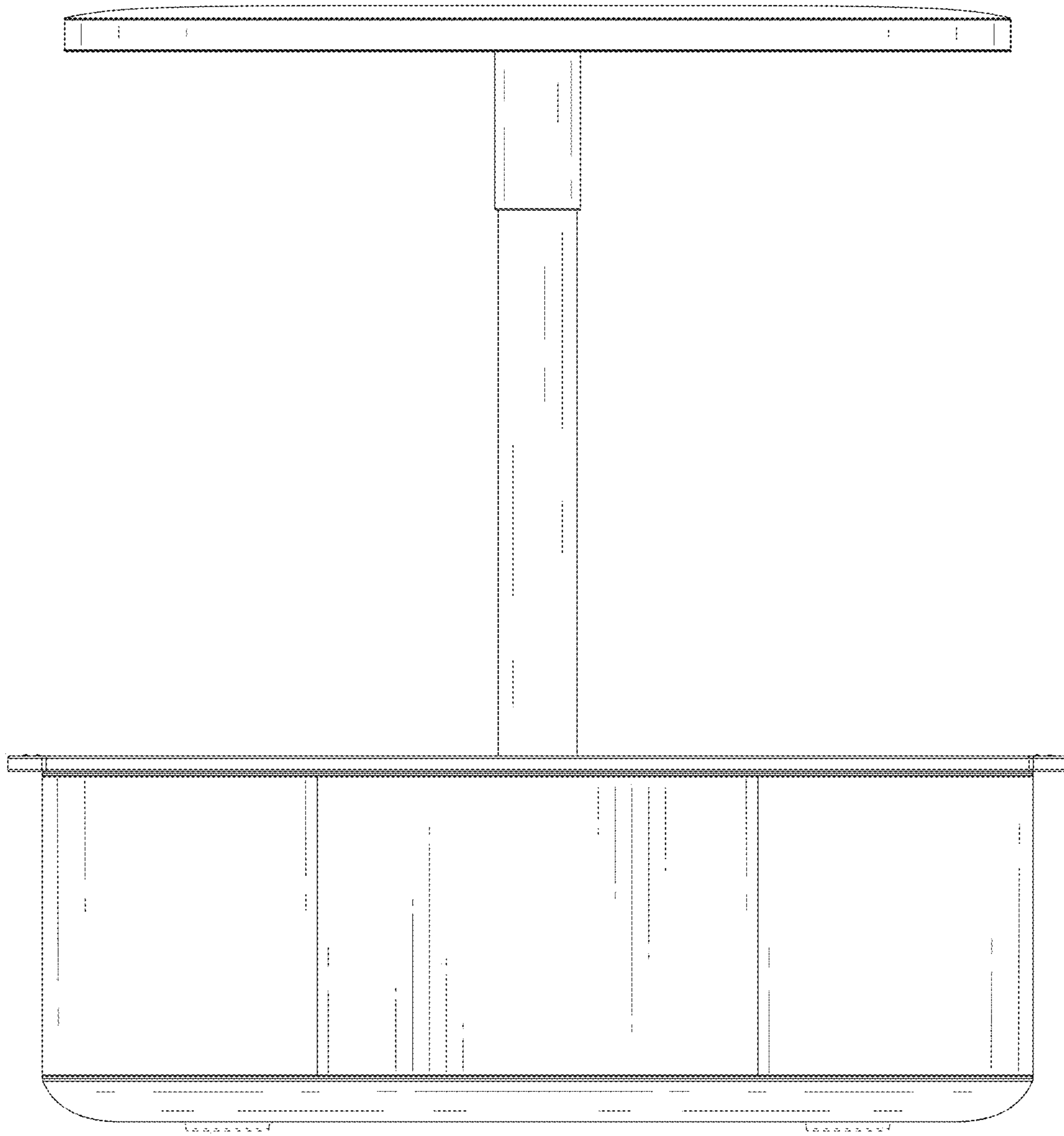


FIG. 3

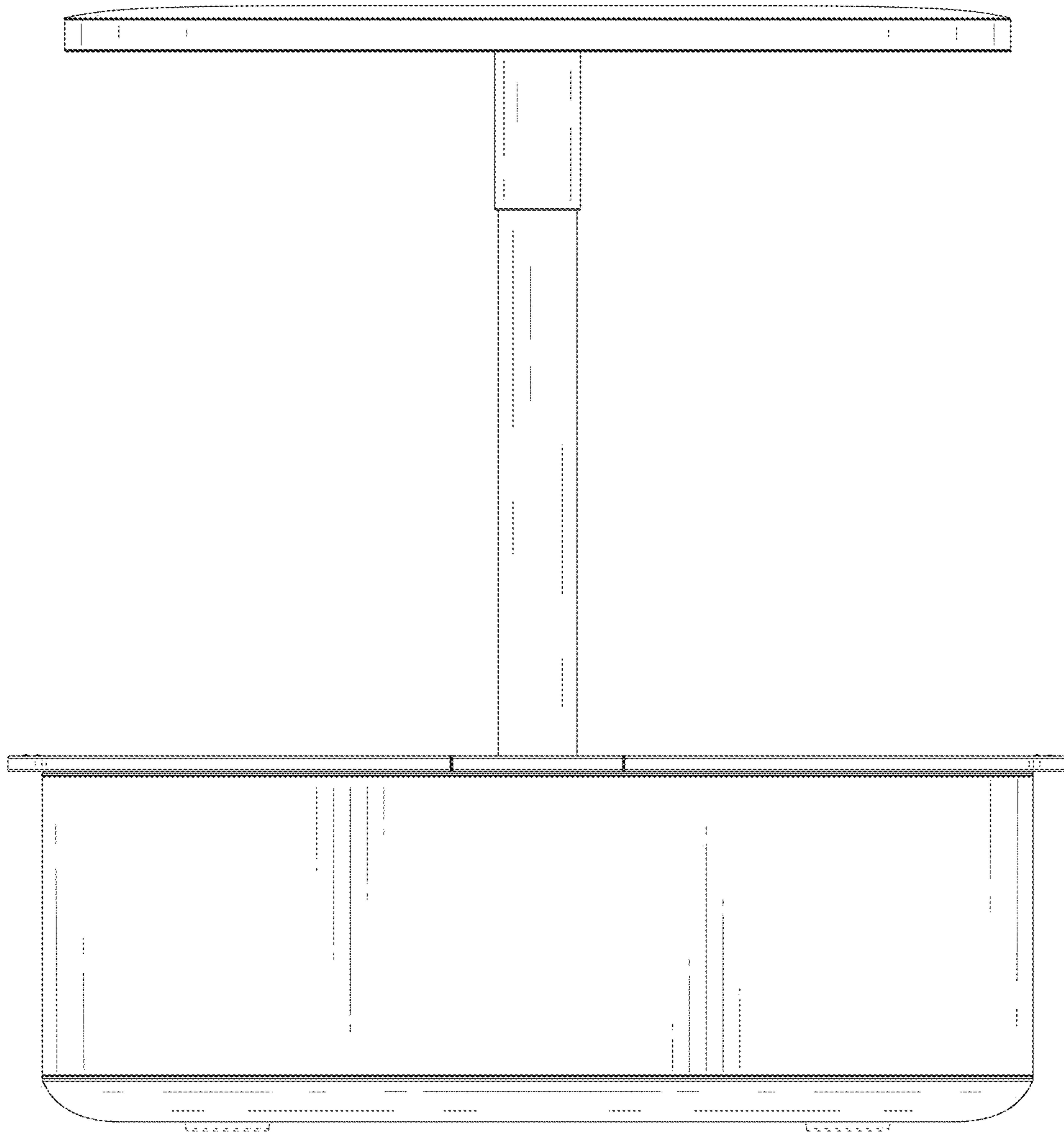


FIG. 4

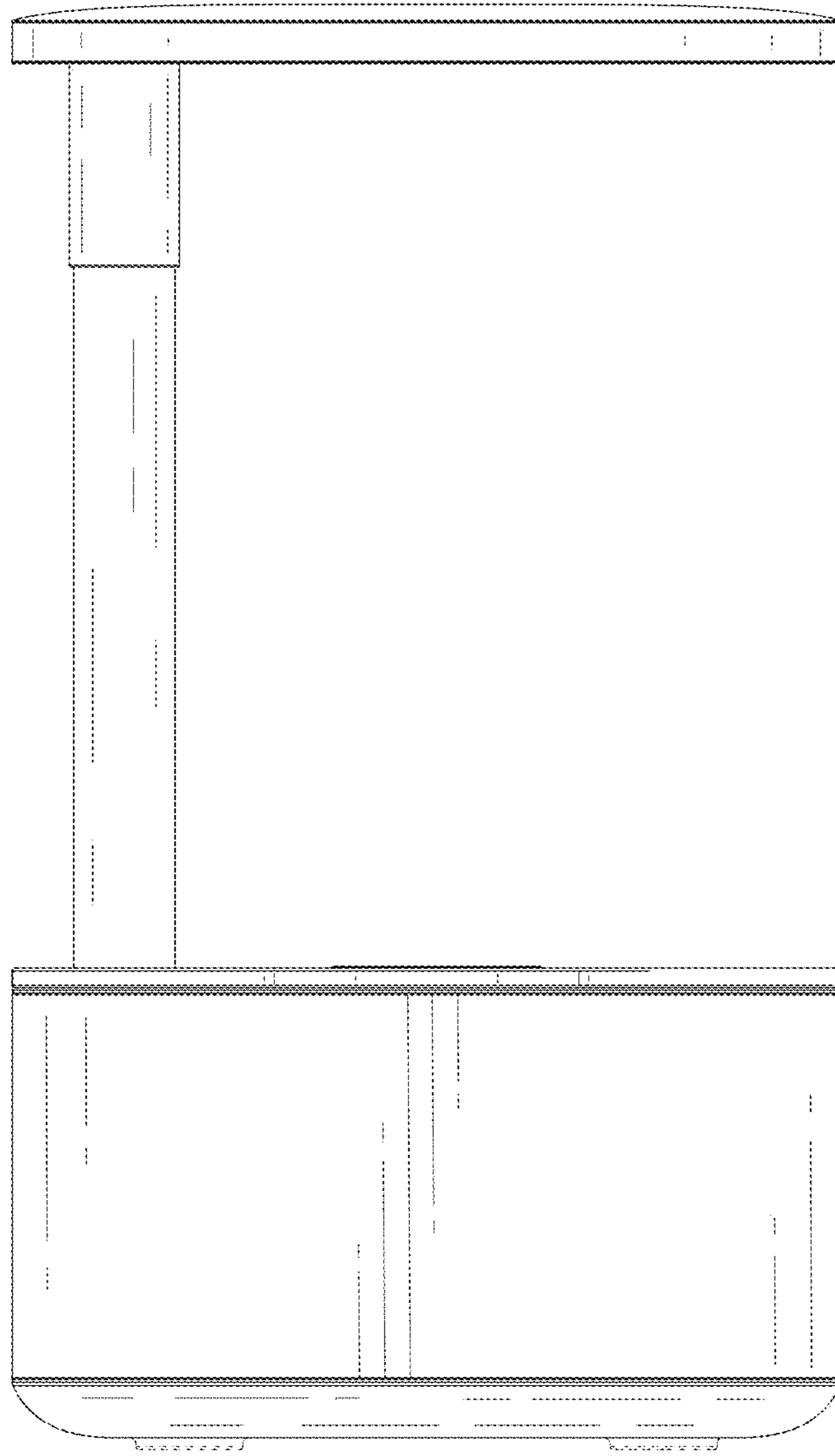


FIG. 5

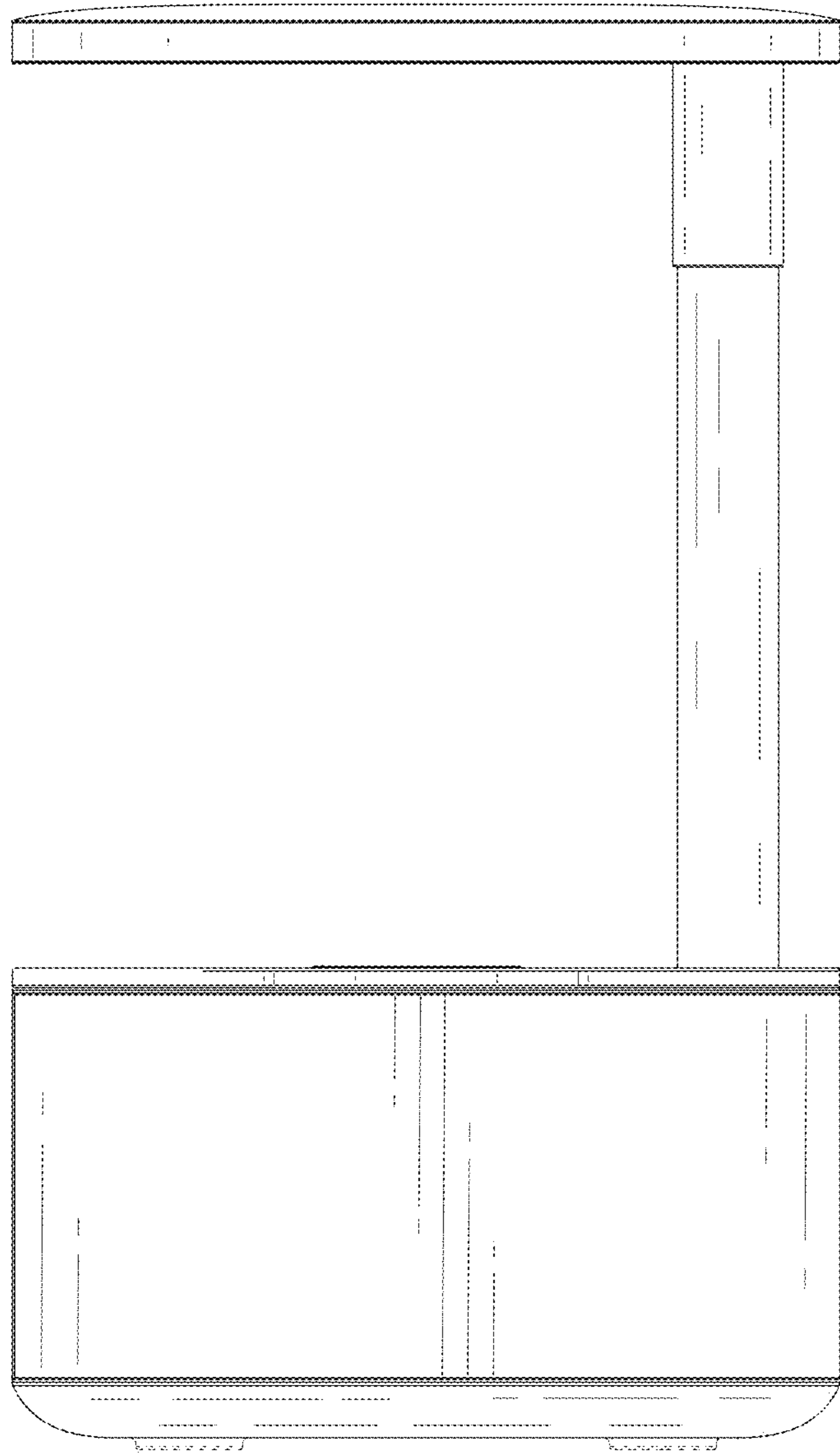


FIG. 6

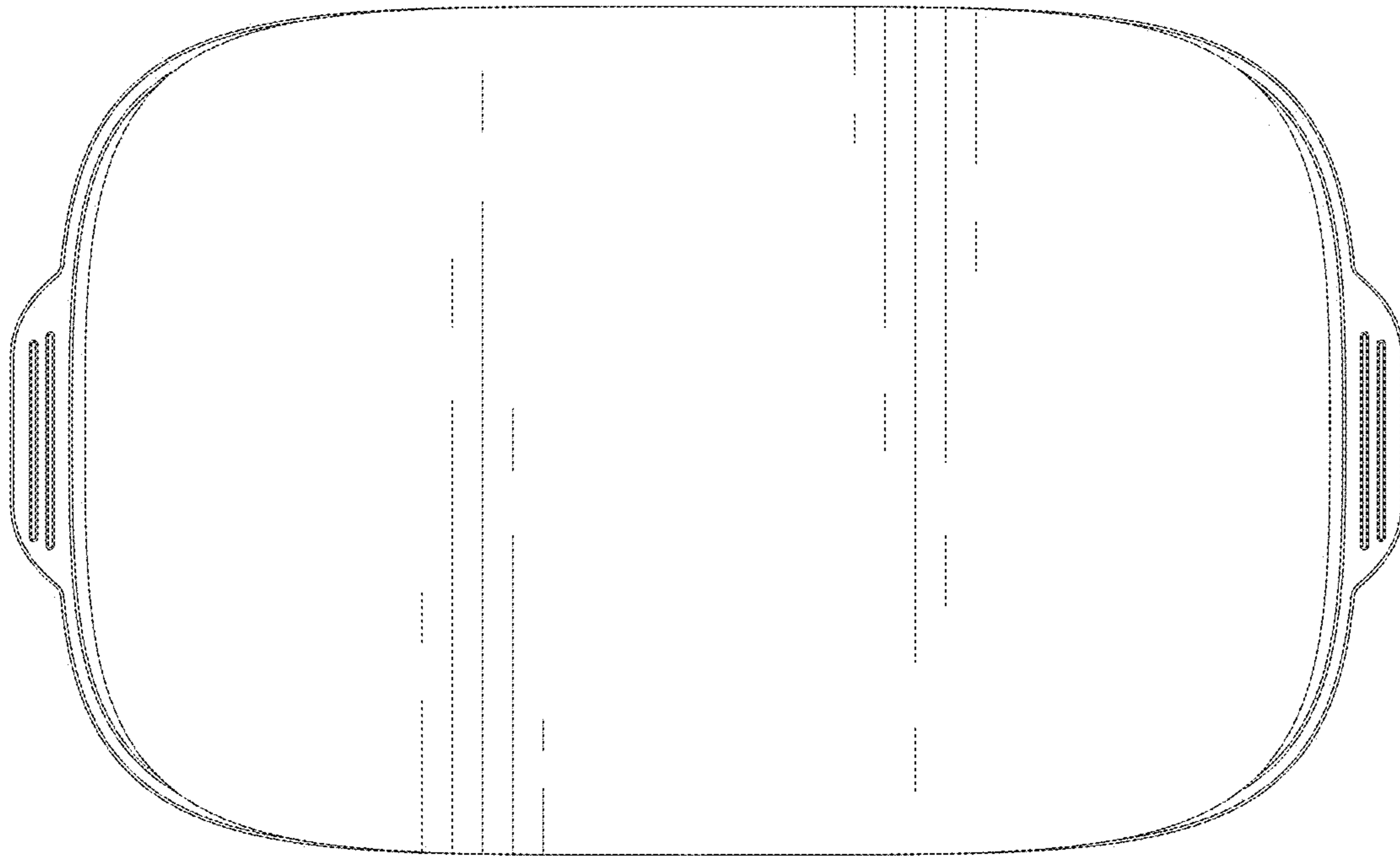


FIG. 7

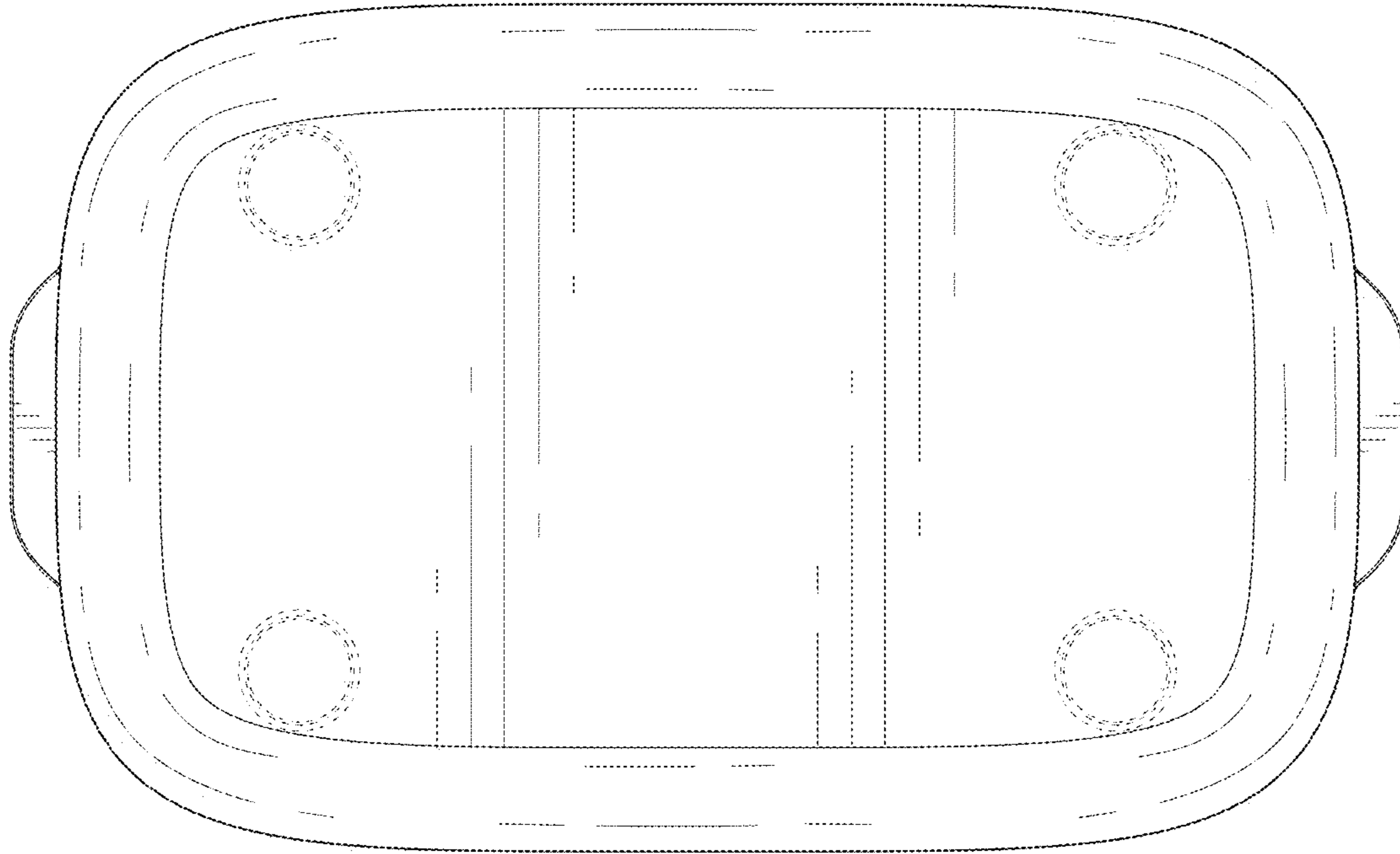


FIG. 8