



US00D988184S

(12) **United States Design Patent**  
**Luo**

(10) **Patent No.:** **US D988,184 S**  
(45) **Date of Patent:** **\*\* Jun. 6, 2023**

(54) **HANGING DECORATION**  
(71) Applicant: **Jinsong Luo**, Guangdong (CN)  
(72) Inventor: **Jinsong Luo**, Guangdong (CN)  
(73) Assignee: **FOSHAN AITONGXIAO TECHNOLOGY CO., LTD**,  
Guangdong (CN)

3,533,889 A \* 10/1970 Powell ..... B44F 1/063  
428/156  
D369,759 S \* 5/1996 Gehring, Jr. .... B44C 5/00  
D11/131  
D577,629 S 9/2008 Chen  
D645,777 S \* 9/2011 Gladden ..... D11/43  
2022/0203752 A1\* 6/2022 Panella ..... B44C 5/06

(\*\*) Term: **15 Years**

FOREIGN PATENT DOCUMENTS  
CN 307809967 \* 1/2023

(21) Appl. No.: **29/870,329**

(22) Filed: **Jan. 20, 2023**

(51) **LOC (14) Cl.** ..... **11-02**

(52) **U.S. Cl.**  
USPC ..... **D11/139**

(58) **Field of Classification Search**  
USPC ..... D11/14, 16, 18, 30, 33, 44, 48, 63, 65,  
D11/69, 81, 99, 106, 115, 117, 119, 125,  
D11/132, 133, 139, 141; D20/26, 29;  
D25/105, 149  
CPC ..... A47G 1/1606; A47H 99/00; B44C 1/28;  
B44C 3/123; B44C 5/00; B44C 5/0407;  
B44C 5/0453; B44C 5/0461; B44C 5/06;  
B44F 1/06; B44F 1/066

See application file for complete search history.

(56) **References Cited**

U.S. PATENT DOCUMENTS

D7,483 S \* 6/1874 Kingsley ..... D8/367  
1,981,696 A \* 11/1934 Harper ..... B44C 5/00  
D11/12  
D131,863 S \* 3/1942 Philippe ..... D11/65  
D131,975 S \* 4/1942 Philippe ..... D11/66  
D132,840 S \* 6/1942 Blume ..... D11/69  
D177,844 S \* 5/1956 Katz ..... B44F 1/063  
D11/18

OTHER PUBLICATIONS

Wanqian Trading, "Piutouyar 12Pes Suction Cup with Ring," Jun. 23, 2021, Amazon.com, www.amazon.com/Piutouyar-Suction-Sucker-Window-Kitchen/dp/B097R1SNVV?th=1 (Year: 2021).\*

(Continued)

*Primary Examiner* — Joseph Kukella  
*Assistant Examiner* — Arva P Adams

(57) **CLAIM**

The ornamental design for a hanging decoration, as shown and described.

**DESCRIPTION**

FIG. 1 is a front and top perspective view of a hanging decoration, showing my new design;  
FIG. 2 is a rear and bottom perspective view thereof;  
FIG. 3 is a front elevation view thereof;  
FIG. 4 is a rear elevation view thereof;  
FIG. 5 is a left side elevation view thereof;  
FIG. 6 is a right side elevation view thereof;  
FIG. 7 is a top plan view thereof; and,  
FIG. 8 is a bottom plan view thereof.  
The broken lines in the figures illustrate portions of the hanging decoration that form no part of the claimed design.

**1 Claim, 8 Drawing Sheets**



(56)

**References Cited**

OTHER PUBLICATIONS

ArmorStudioArt, "Window hanging Plants suncatcher," Reviewed Oct. 25, 2022, Etsy, [www.etsy.com/listing/1180414843/window-hanging-plants-suncatcherstained](http://www.etsy.com/listing/1180414843/window-hanging-plants-suncatcherstained) (Year: 2022).\*

Boxcasa, "Boxcasa Green Plants Artificial Decor," Nov. 18, 2022, Amazon.com, [www.amazon.com/BOXCASA-Artificial-Handcrafted-Suncatchers-Decoration/dp/B0BMVCBLHG](http://www.amazon.com/BOXCASA-Artificial-Handcrafted-Suncatchers-Decoration/dp/B0BMVCBLHG) (Year: 2022).\*

Aitongx, "Hanging Plant Home Decor Stained Glass Window Hanging Art suncatcher," Oct. 8, 2022, Amazon.com, [www.amazon.com/Hanging-Stained-Window-suncatcher-AITONGXIAO/dp/B0BH9GX3R9](http://www.amazon.com/Hanging-Stained-Window-suncatcher-AITONGXIAO/dp/B0BH9GX3R9) (Year: 2022).\*

\* cited by examiner

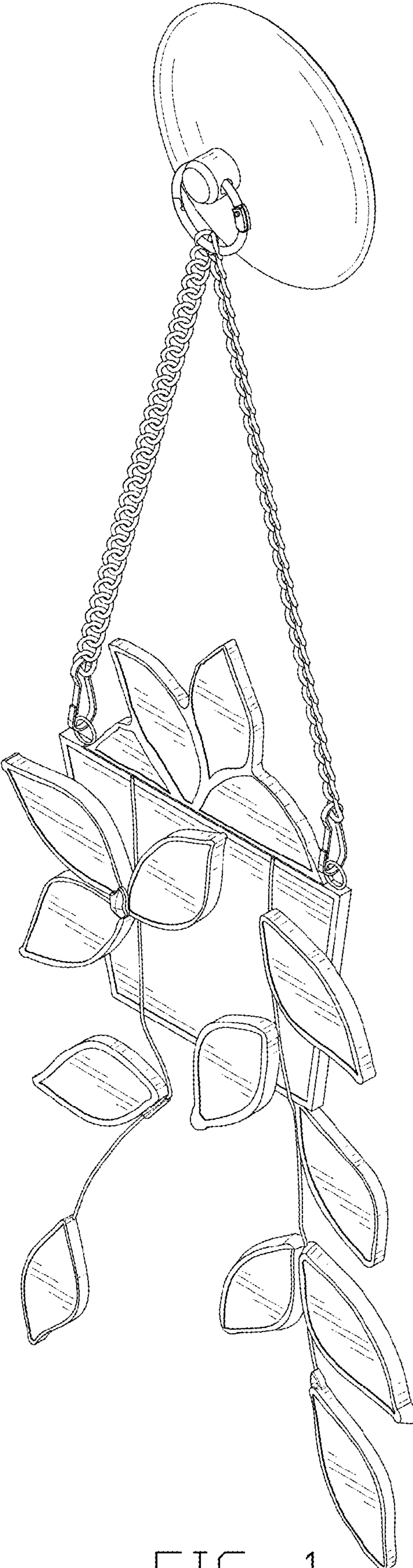


FIG. 1

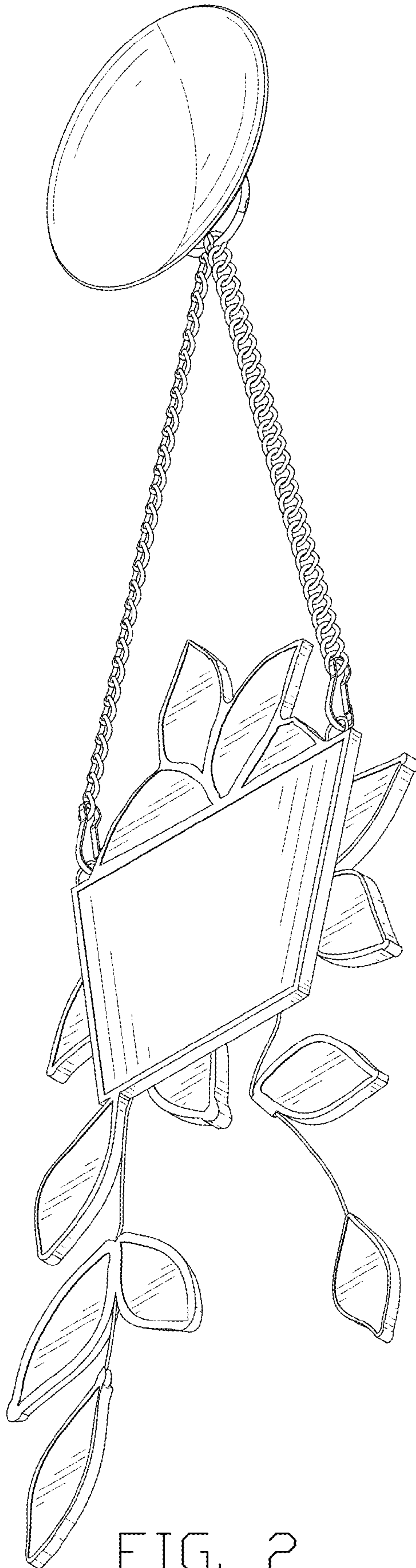


FIG. 2



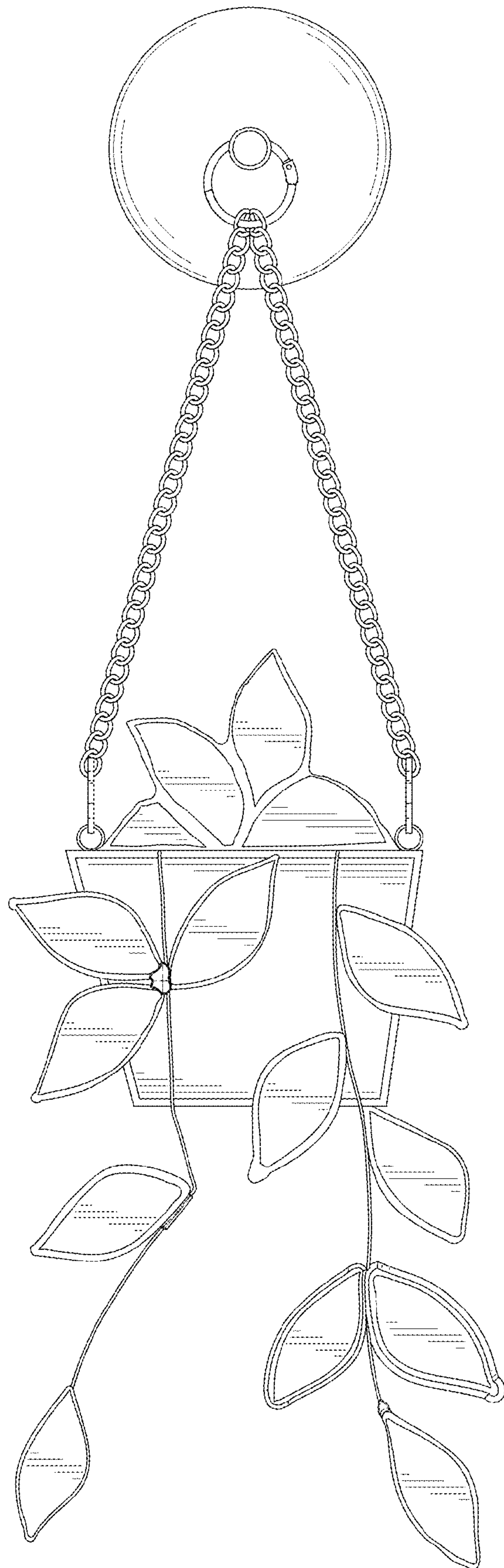


FIG. 3

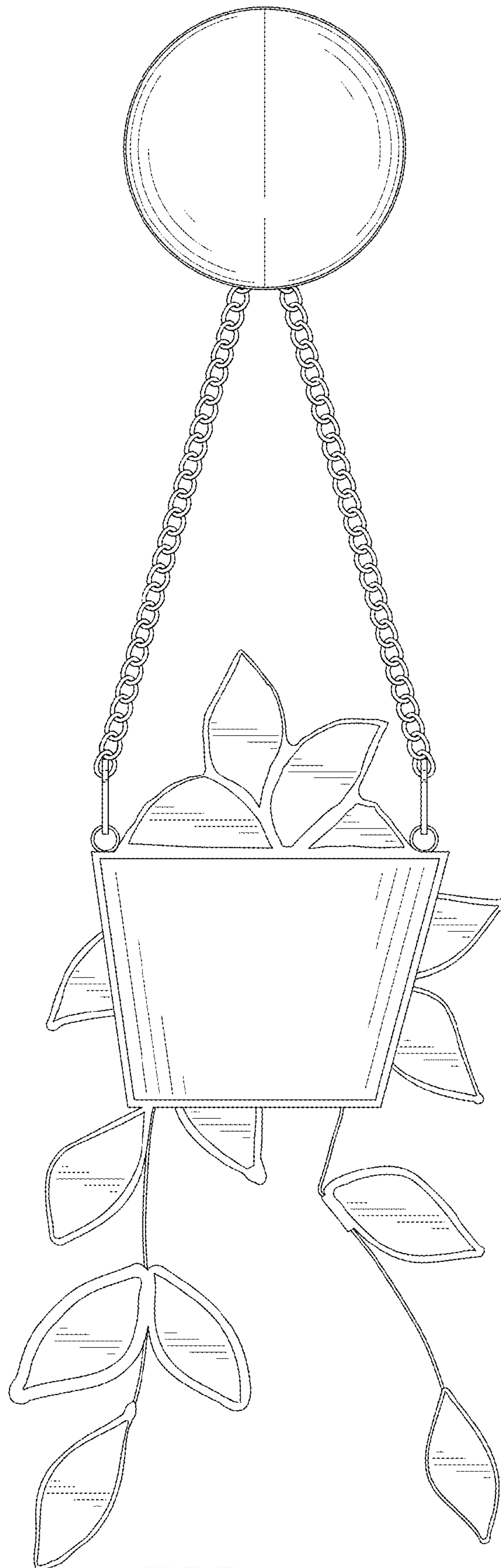


FIG. 4

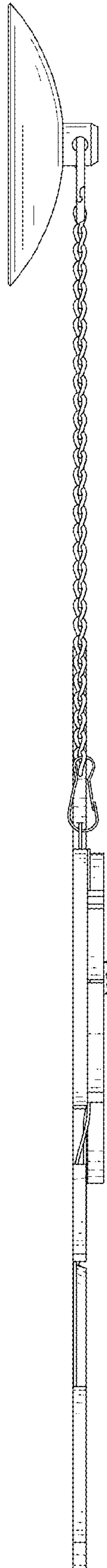


FIG. 5

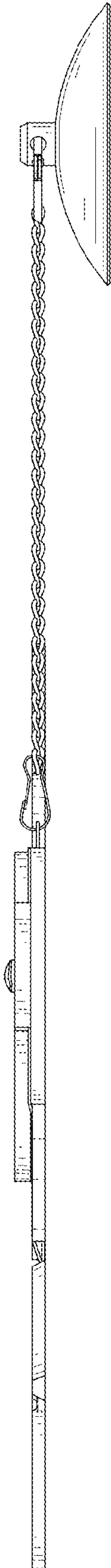


FIG. 6



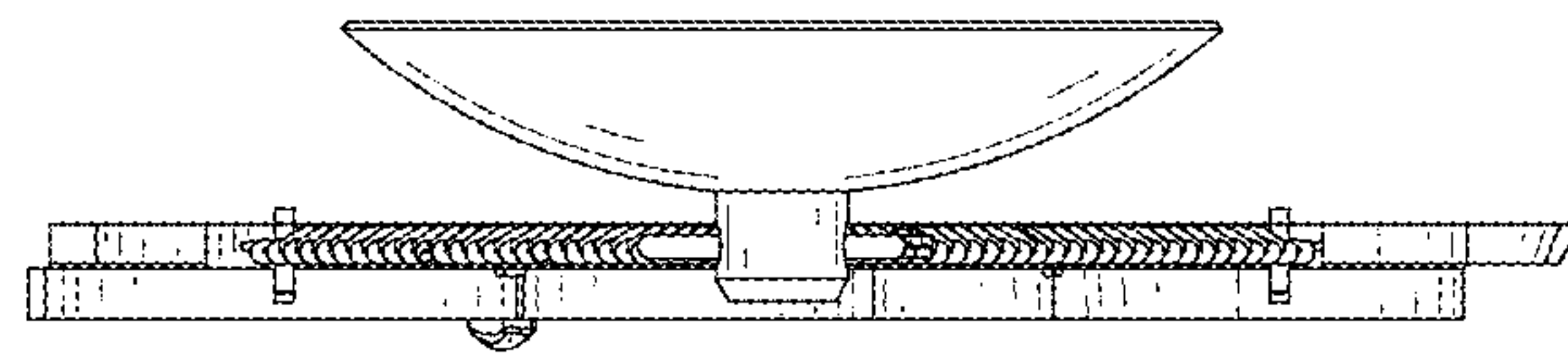


FIG. 7

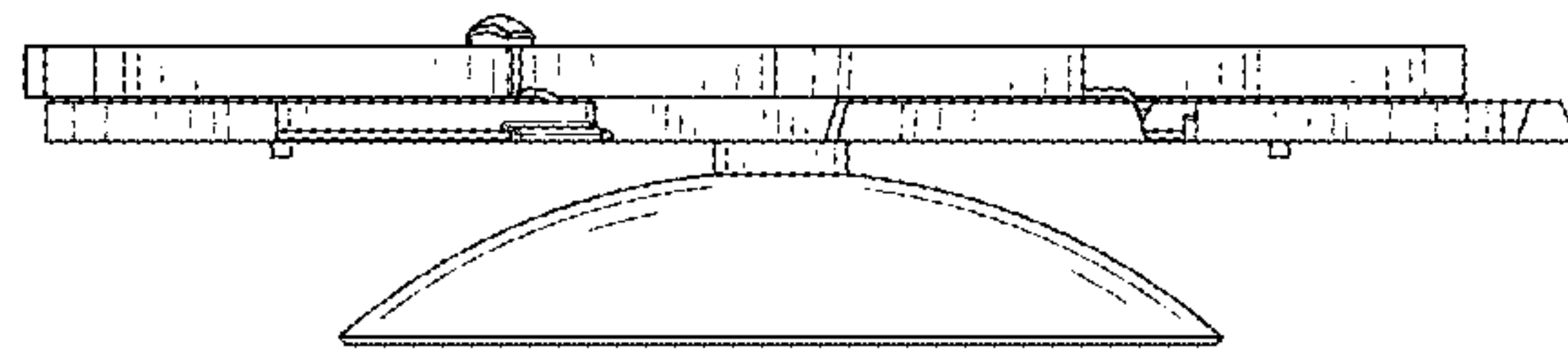


FIG. 8