



US00D988181S

(12) **United States Design Patent**  
**Trebi-Ollennu et al.**

(10) **Patent No.:** **US D988,181 S**  
(45) **Date of Patent:** **\*\* Jun. 6, 2023**

- (54) **ARTIFICIAL GHANA CHRISTMAS HUT**
- (71) Applicants: **Flora Amerley Trebi-Ollennu**,  
Beaumont (CA); **John Kwaku Deheer**  
**Adjaye**, Beaumont (CA)
- (72) Inventors: **Flora Amerley Trebi-Ollennu**,  
Beaumont (CA); **John Kwaku Deheer**  
**Adjaye**, Beaumont (CA)

D163,077 S \* 4/1951 Weiszberg ..... G09B 19/0023  
D11/131  
2,576,052 A \* 11/1951 Sweeney ..... A47G 33/02  
235/61 NV  
4,631,877 A 12/1986 Molodecki  
5,154,656 A \* 10/1992 Milstein ..... A63H 33/04  
446/120  
D363,687 S \* 10/1995 Turrentine ..... D11/143  
D363,688 S \* 10/1995 Turrentine ..... D11/143  
(Continued)

- (\*\*) Term: **15 Years**
- (21) Appl. No.: **29/802,142**
- (22) Filed: **Aug. 3, 2021**

**Related U.S. Application Data**

- (63) Continuation-in-part of application No. 17/215,919,  
filed on Mar. 29, 2021, now Pat. No. 11,382,446.
- (60) Provisional application No. 63/000,623, filed on Mar.  
27, 2020.
- (51) **LOC (14) Cl.** ..... **11-05**
- (52) **U.S. Cl.**  
USPC ..... **D11/121**
- (58) **Field of Classification Search**  
USPC .... D11/111, 121, 122, 123, 125, 131, 131.1,  
D11/132, 133, 142, 157, 184;  
D19/95-97; D21/506, 509, 510, 511  
CPC ..... A47G 33/02  
See application file for complete search history.

(56) **References Cited**

**U.S. PATENT DOCUMENTS**

- 728,993 A \* 5/1903 Scott ..... E04H 13/003  
D11/131
- 1,577,517 A \* 3/1926 Chandler ..... A63H 33/00  
446/219
- 2,252,678 A \* 8/1941 McC Beary ..... G09B 19/0023  
D11/131
- D155,008 S \* 8/1949 Herman ..... D9/638

**OTHER PUBLICATIONS**

African Hut Christmas Bauble, publish date unknown on savannahwillow.com, retrieved from internet (Dec. 29, 2022). <URL: <https://savannahwillow.com/products/african-hut-bauble>> (Year: 2022).\*  
(Continued)

*Primary Examiner* — Joseph Kukella  
*Assistant Examiner* — Heather Ann Laaveg Wencil

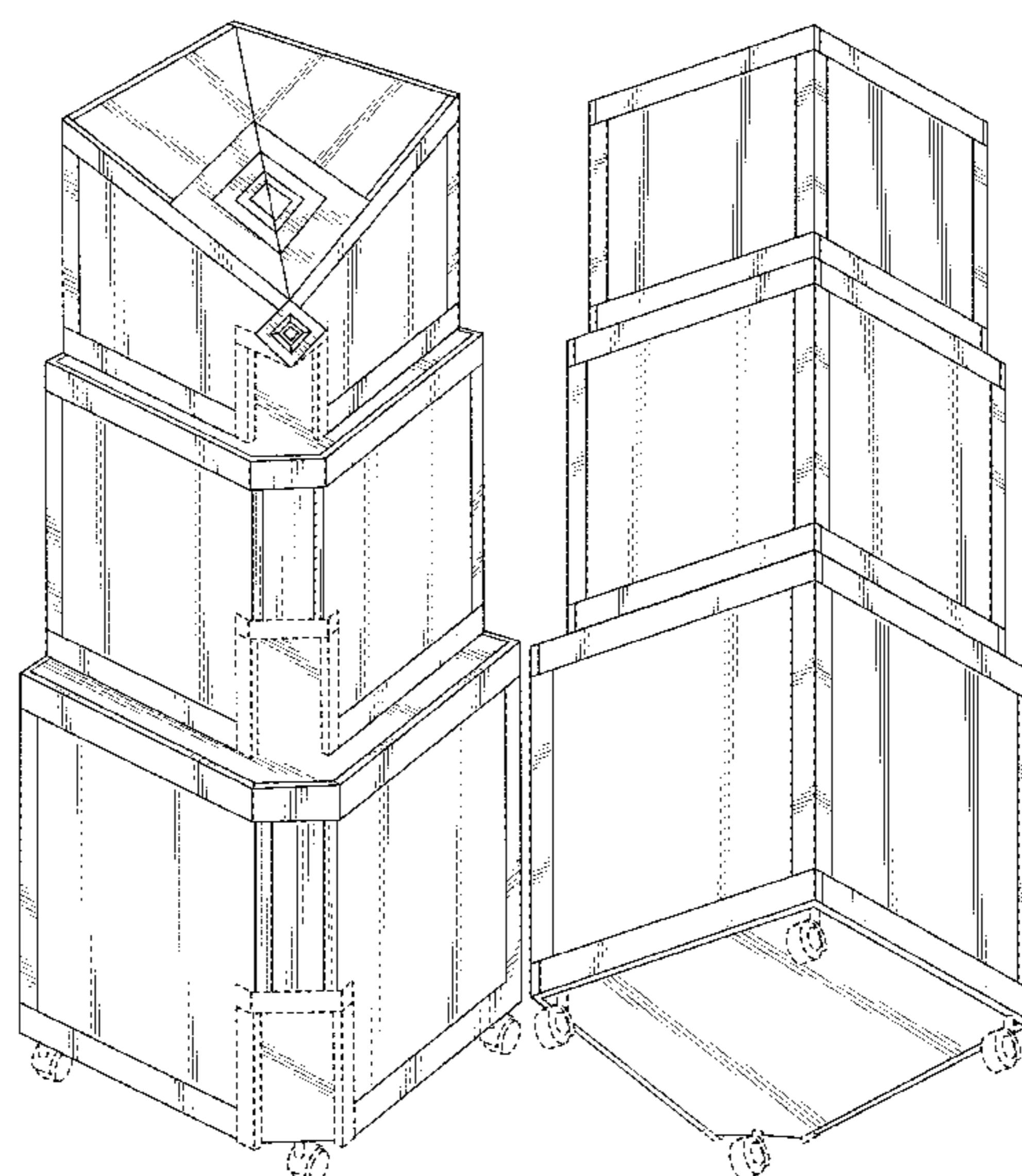
(57) **CLAIM**

The ornamental design for an artificial Ghana Christmas hut, as shown and described.

**DESCRIPTION**

FIG. 1 is a left-front-top perspective view of an artificial Ghana Christmas hut showing our new design; FIG. 2 is a left-front-bottom perspective view thereof; FIG. 3 is a right-rear-top perspective view thereof; FIG. 4 is a right-rear-bottom perspective view thereof; FIG. 5 is a front elevational view thereof; FIG. 6 is a rear elevational view thereof; FIG. 7 is a left-side elevational view thereof; FIG. 8 is a right-side elevational view thereof; FIG. 9 is a top plan view thereof; and, FIG. 10 is a bottom plan view thereof. The broken lines showing wheels, and doorframes in FIG. 1 through 10 are included for the purpose of showing environmental structure and form no part of the claimed design.

**1 Claim, 10 Drawing Sheets**



(56)

**References Cited**

U.S. PATENT DOCUMENTS

6,527,609 B1 \* 3/2003 Rowland ..... A63H 3/52  
446/478  
8,596,222 B1 \* 12/2013 Campbell ..... A01K 1/0245  
119/474  
D735,276 S \* 7/2015 Radu ..... A01K 1/033  
D21/511  
9,326,483 B2 \* 5/2016 Hall ..... A01K 1/033  
2010/0180530 A1 7/2010 Lee  
2010/0255749 A1 10/2010 Lines  
2013/0074369 A1 3/2013 Thomson

OTHER PUBLICATIONS

Flora Trebi-Ollenu, Christmas Hut, the Heart of Ghanaian Christmas in the Past Makes a Comeback with a Modern Twist, 24ghana.com.

Tammy Jo Anderson-Taft, Weaving, guampedia.com, Dec. 18, 2019.

\* cited by examiner

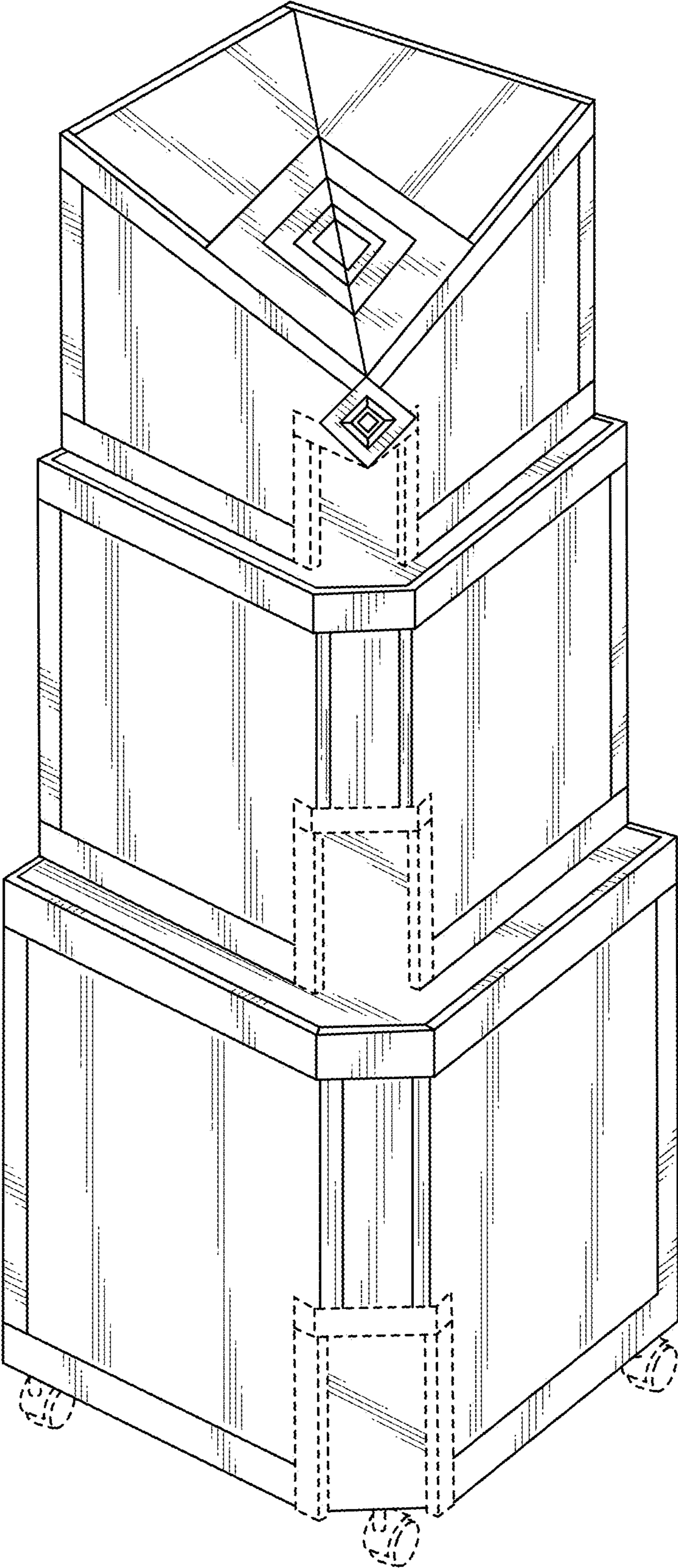


FIG. 1

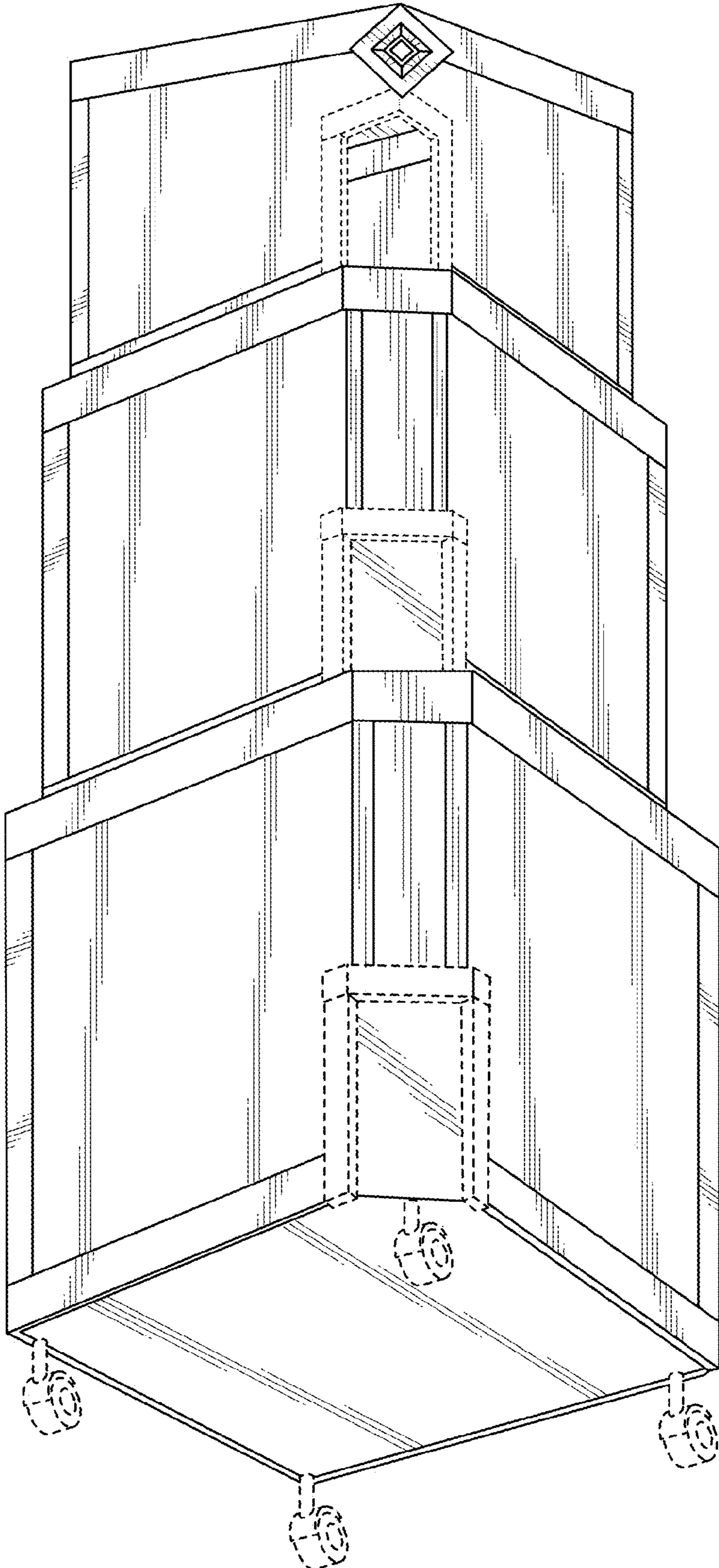


FIG. 2

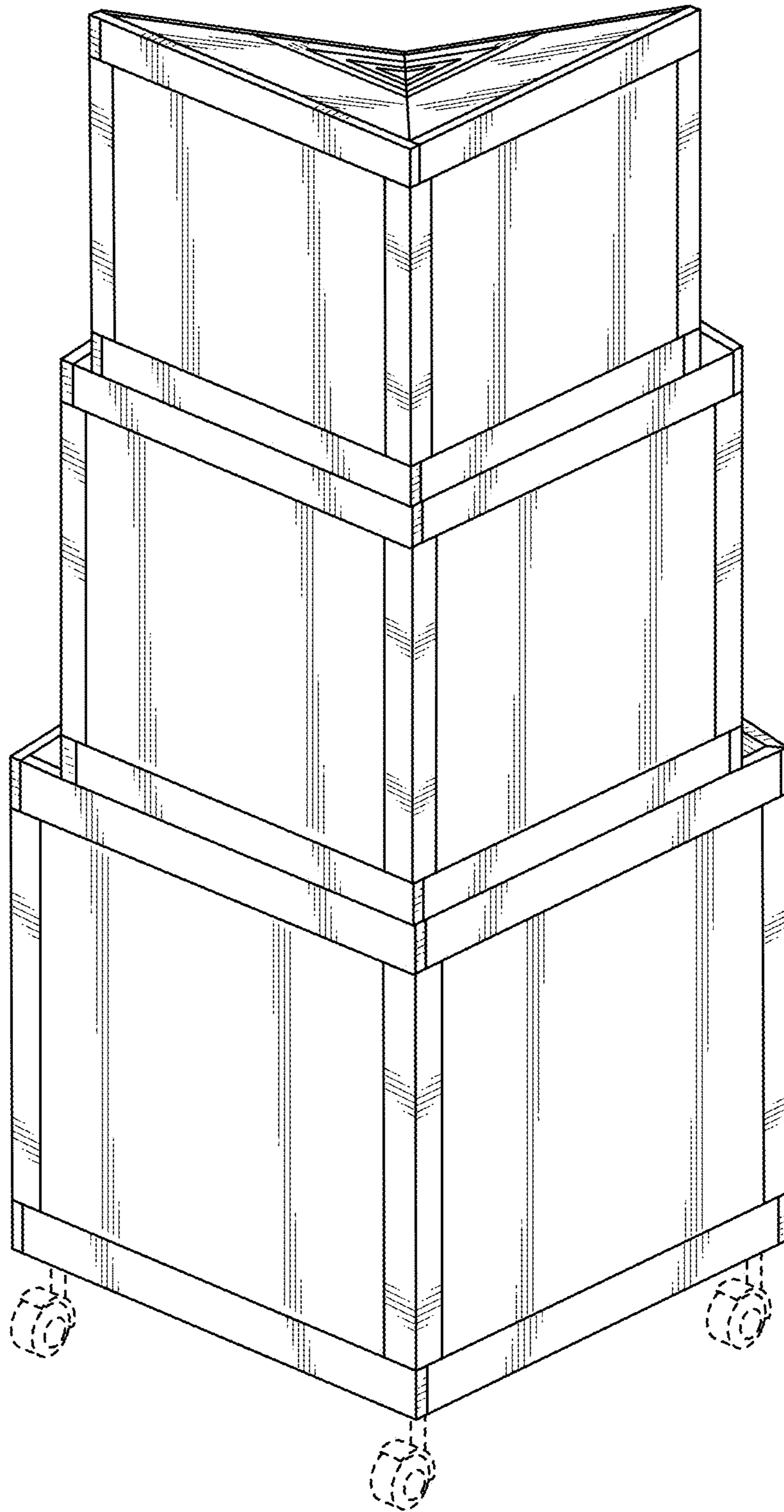


FIG. 3

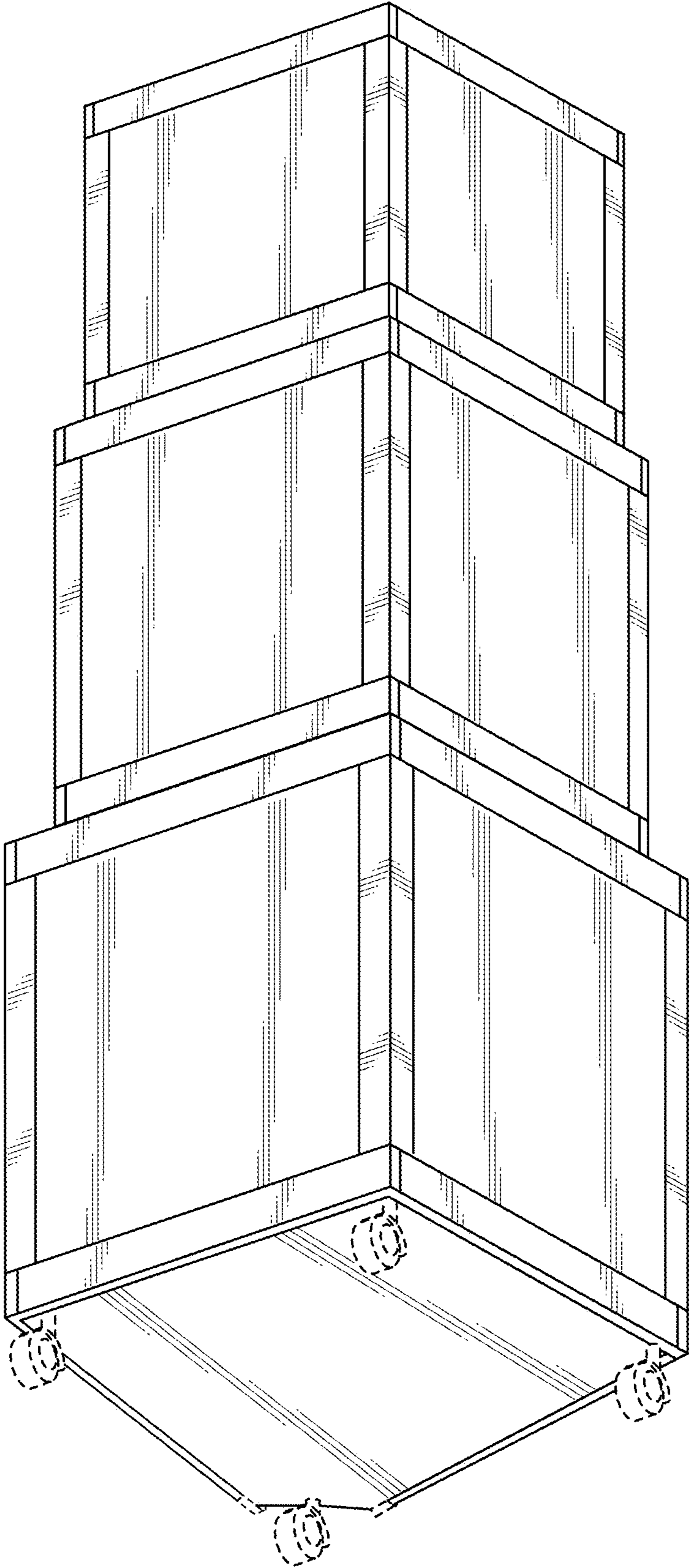


FIG. 4

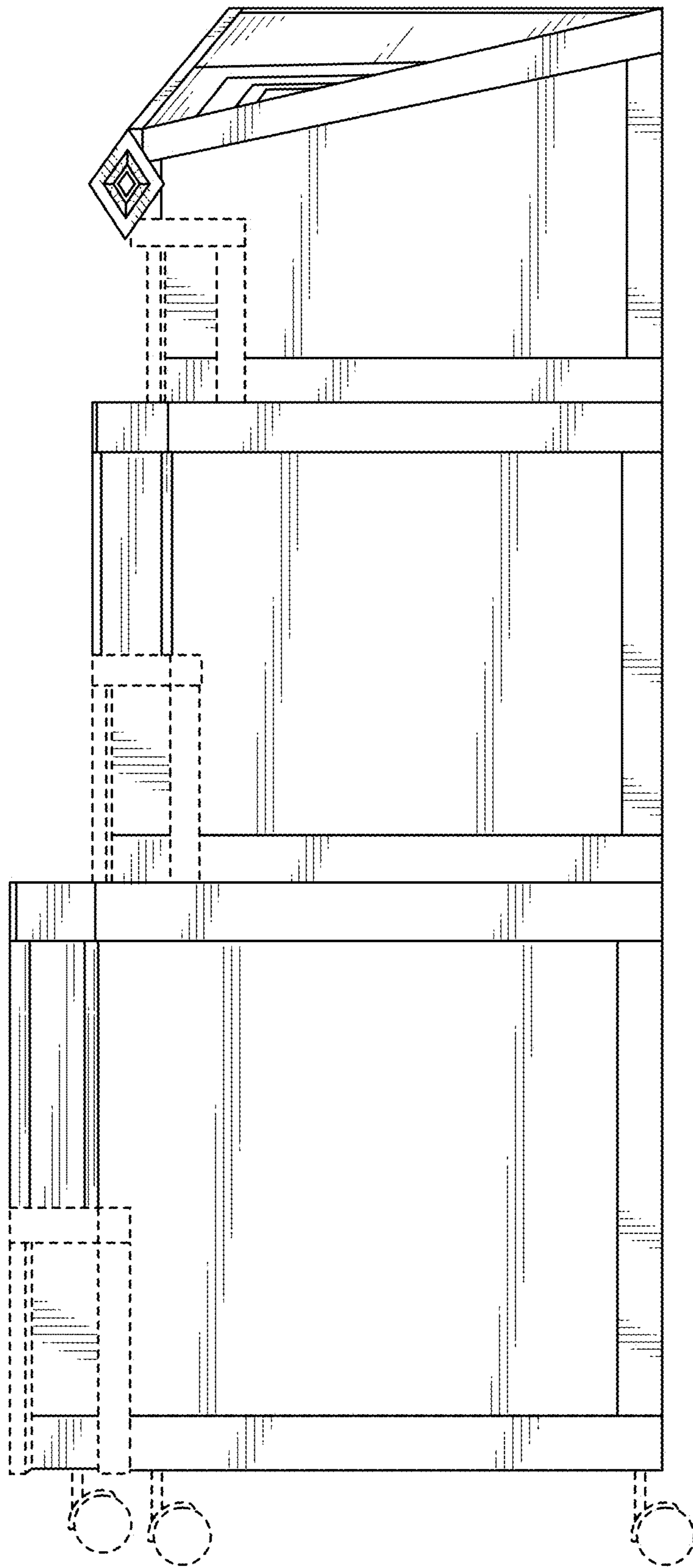


FIG. 5

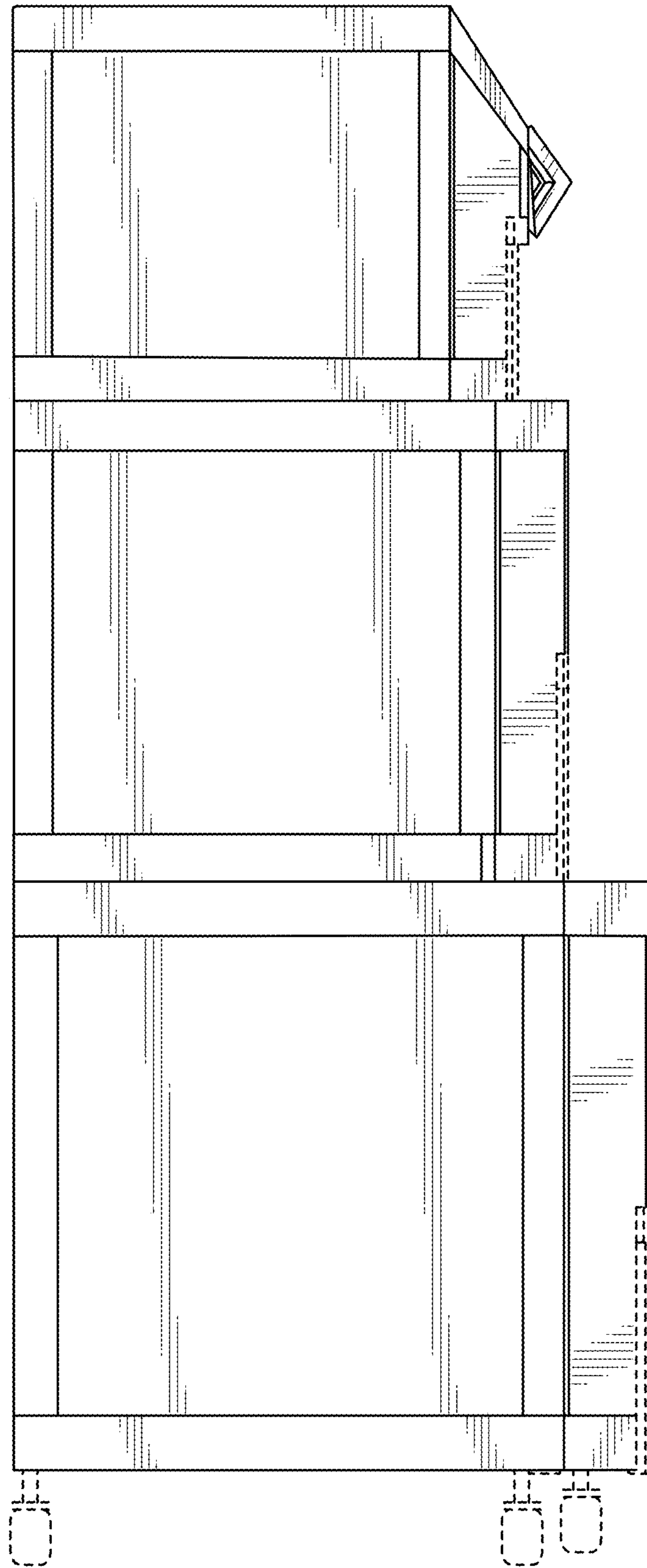


FIG. 6



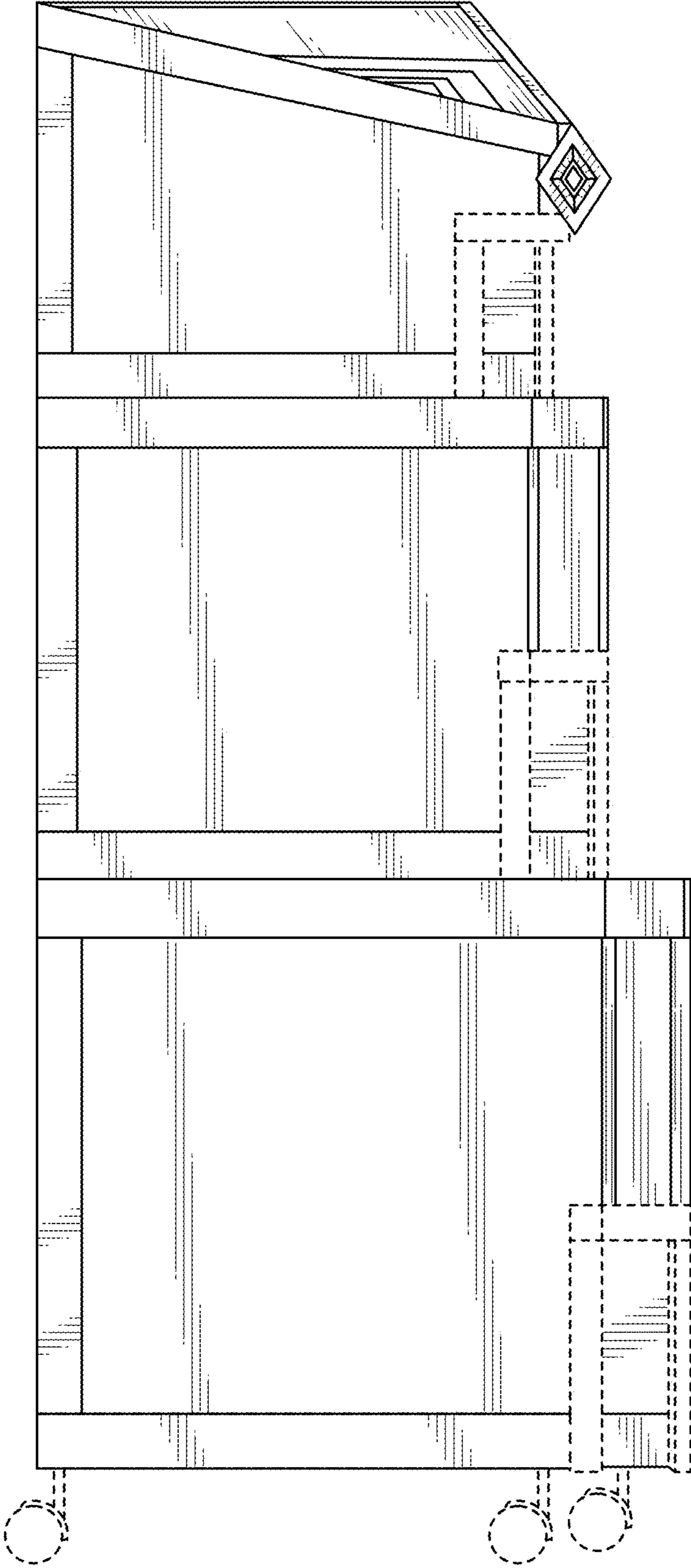


FIG. 7

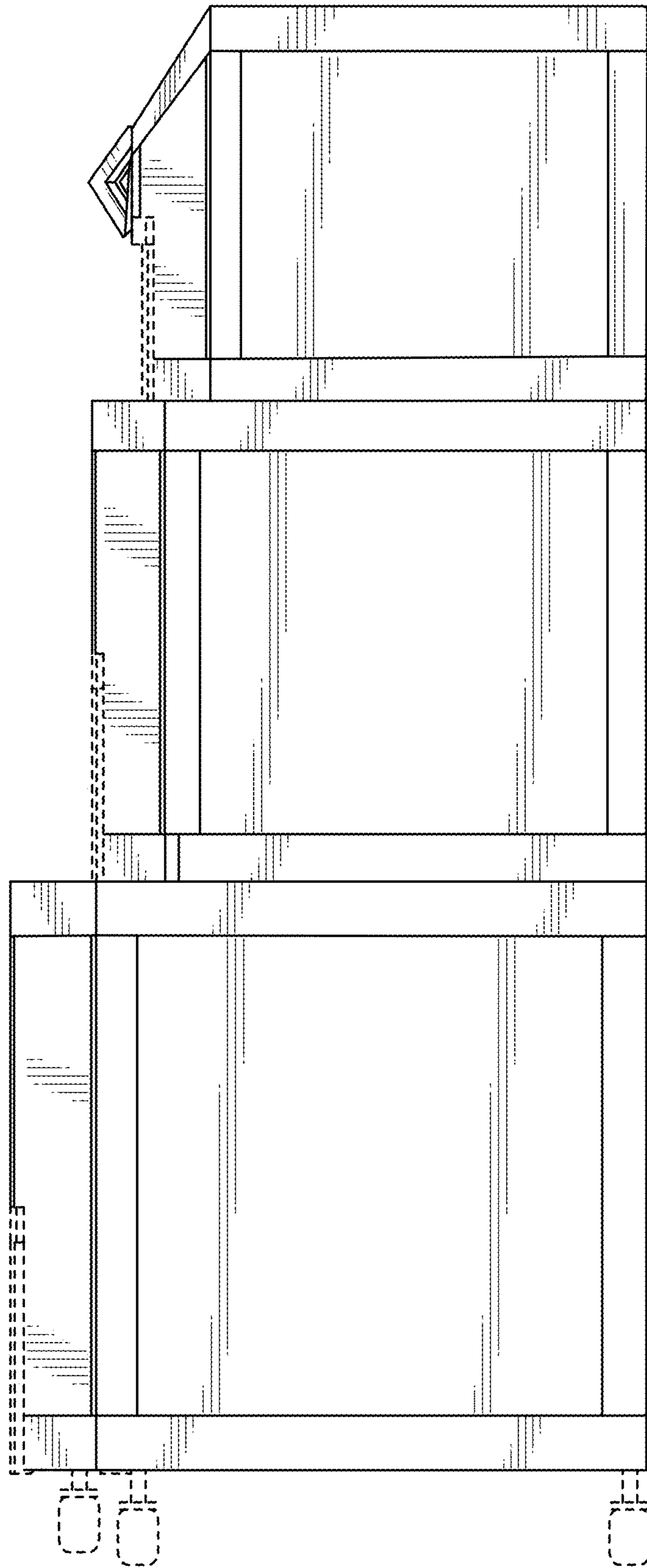


FIG. 8

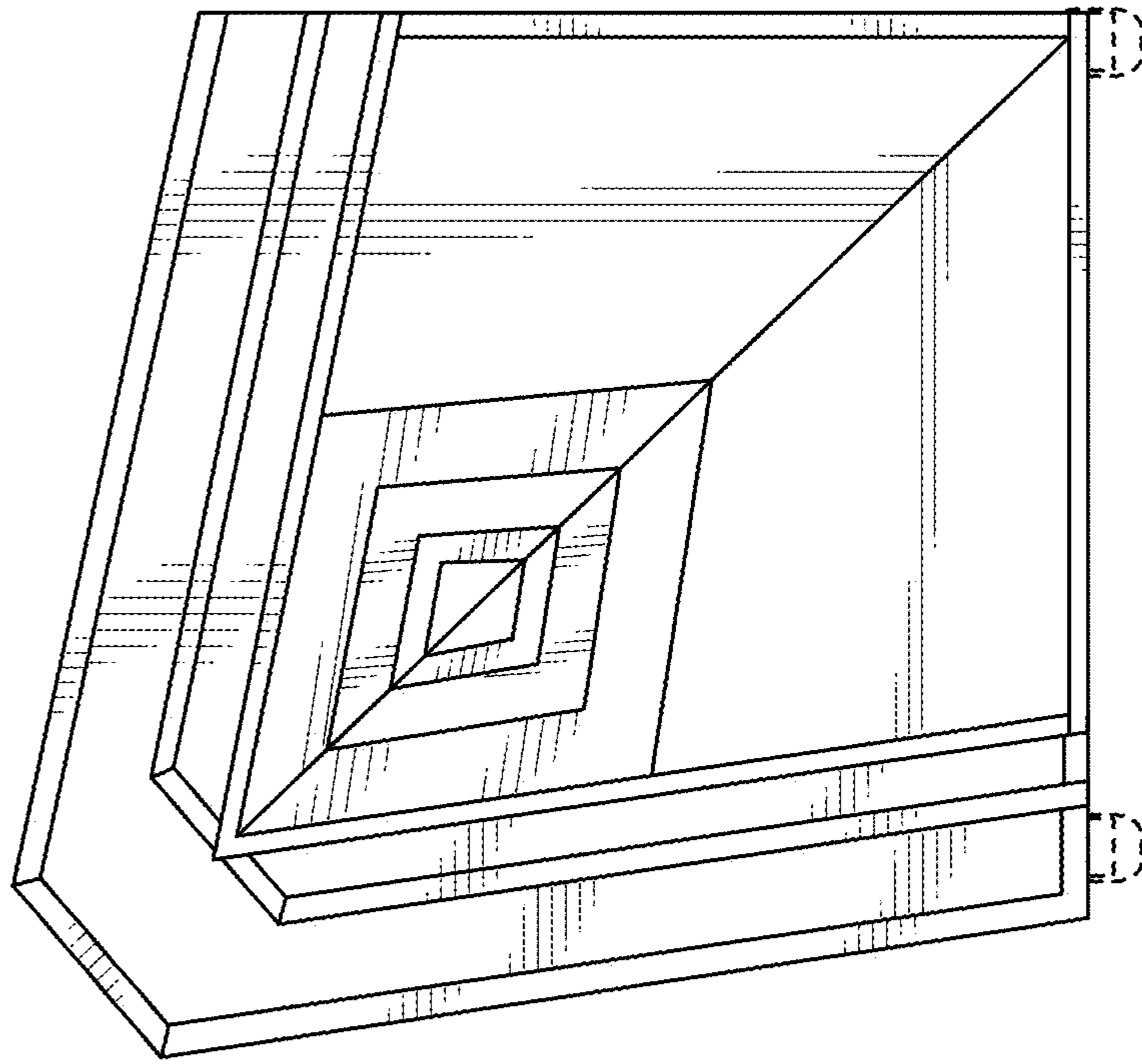


FIG. 9

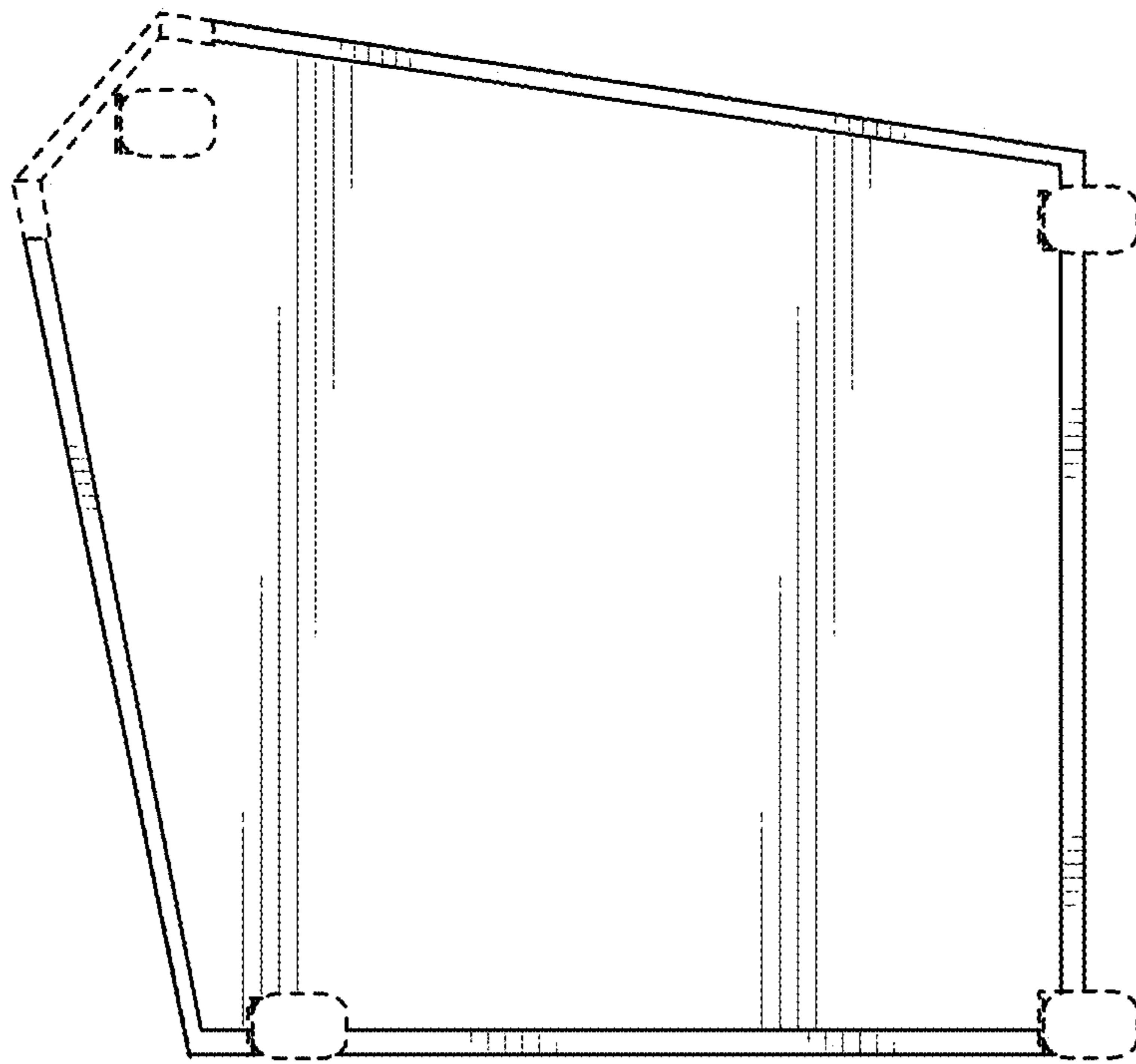


FIG. 10