



US00D988177S

(12) **United States Design Patent**  
**Razavi**

(10) **Patent No.:** **US D988,177 S**

(45) **Date of Patent:** **\*\* Jun. 6, 2023**

(54) **ARTICLE OF JEWELRY**

(71) Applicant: **Anosha Razavi**, Los Angeles, CA (US)

(72) Inventor: **Anosha Razavi**, Los Angeles, CA (US)

(\*\*) Term: **15 Years**

(21) Appl. No.: **29/717,026**

(22) Filed: **Dec. 13, 2019**

(51) **LOC (14) Cl.** ..... **11-01**

(52) **U.S. Cl.**  
USPC ..... **D11/92**

(58) **Field of Classification Search**

USPC ..... D11/1-3, 11-13, 16, 26-29, 34, 35, 36,  
D11/40, 41, 42, 43, 79, 86, 87, 88, 89,  
D11/90, 91, 92

CPC ..... A44C 17/02; A44C 17/046; A44C 7/00;  
A44C 7/001; A44C 7/009; A44C 9/00

See application file for complete search history.

(56) **References Cited**

**U.S. PATENT DOCUMENTS**

2,200,841	A *	5/1940	Gaertner	.....	A44C 17/02	D11/92
D337,964	S *	8/1993	Garfalo	.....		D11/79
D601,917	S *	10/2009	Nolan	.....		D11/41
D639,693	S *	6/2011	Papadimitriou	.....		D11/79
D676,781	S *	2/2013	Papadimitriou	.....		D11/79
D851,538	S *	6/2019	Saito	.....		D11/92
D893,344	S *	8/2020	Jain	.....		D11/92

D919,475	S *	5/2021	Shah	.....	D11/91
D929,252	S *	8/2021	Tashjian	.....	D11/92
D945,917	S *	3/2022	Kaplan	.....	D11/86

\* cited by examiner

*Primary Examiner* — Llorellys Martinez

(74) *Attorney, Agent, or Firm* — Lewis Brisbois; Bisgaard & Smith LLP

(57) **CLAIM**

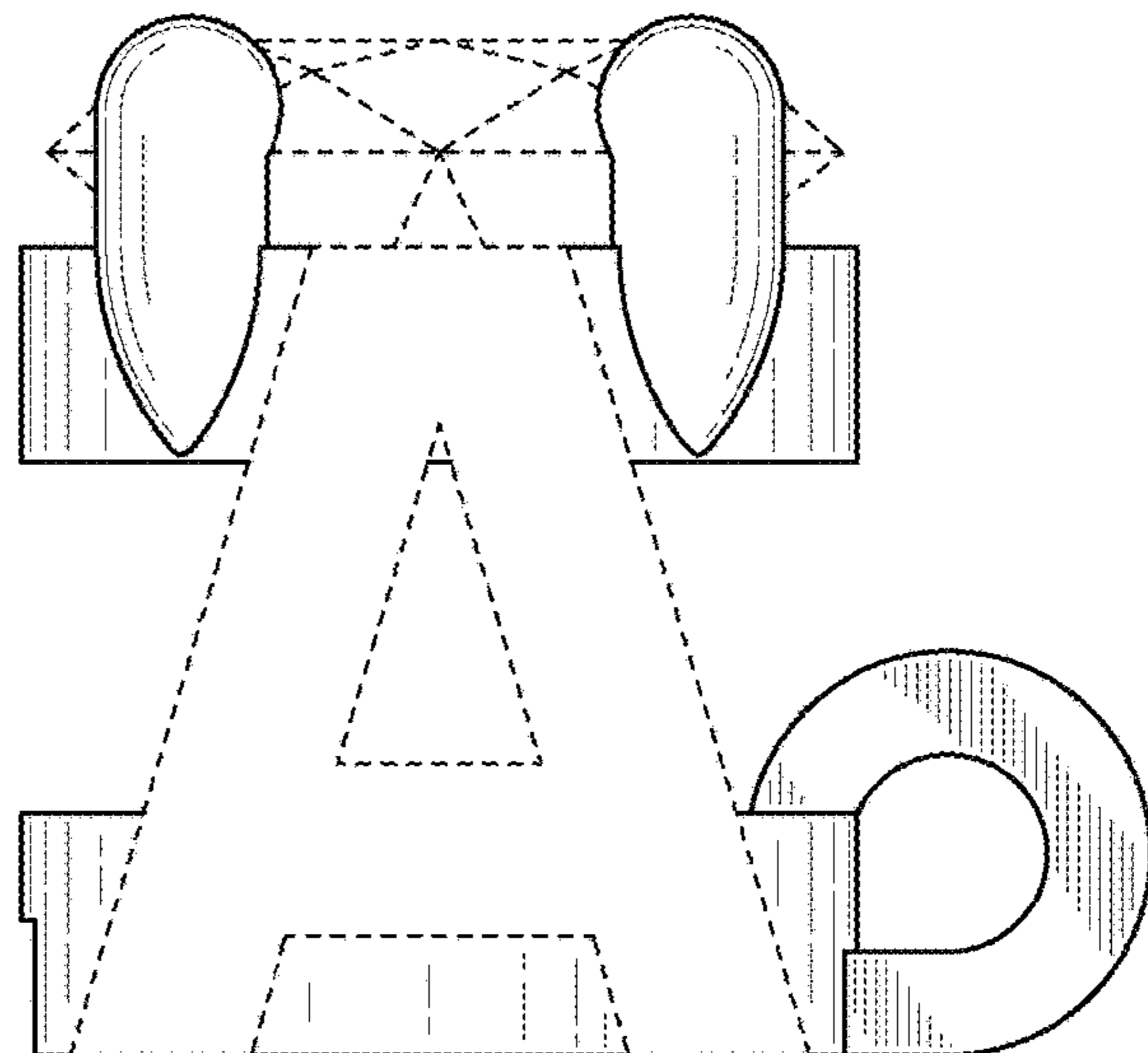
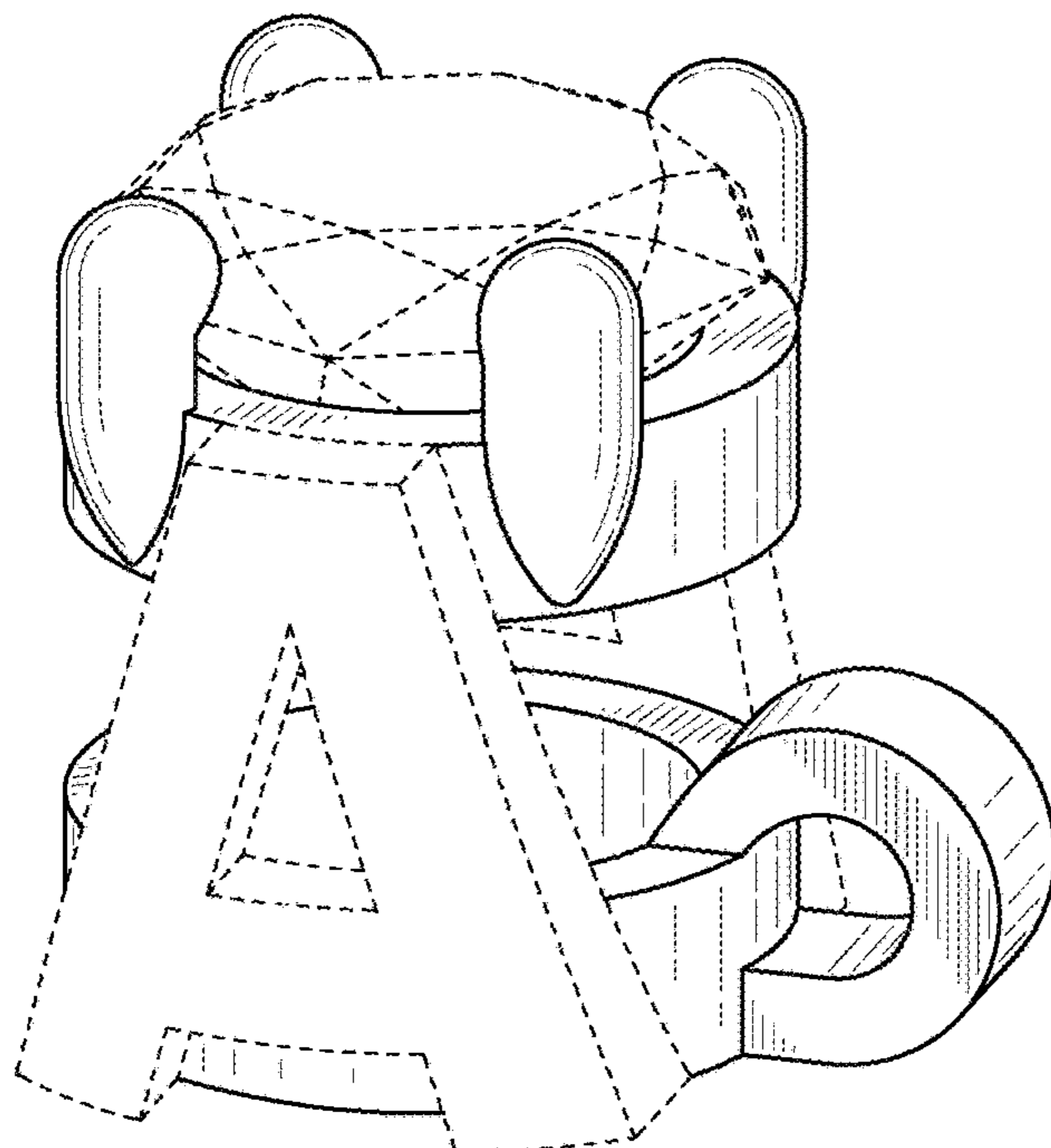
The ornamental design for an article of jewelry, as shown and described.

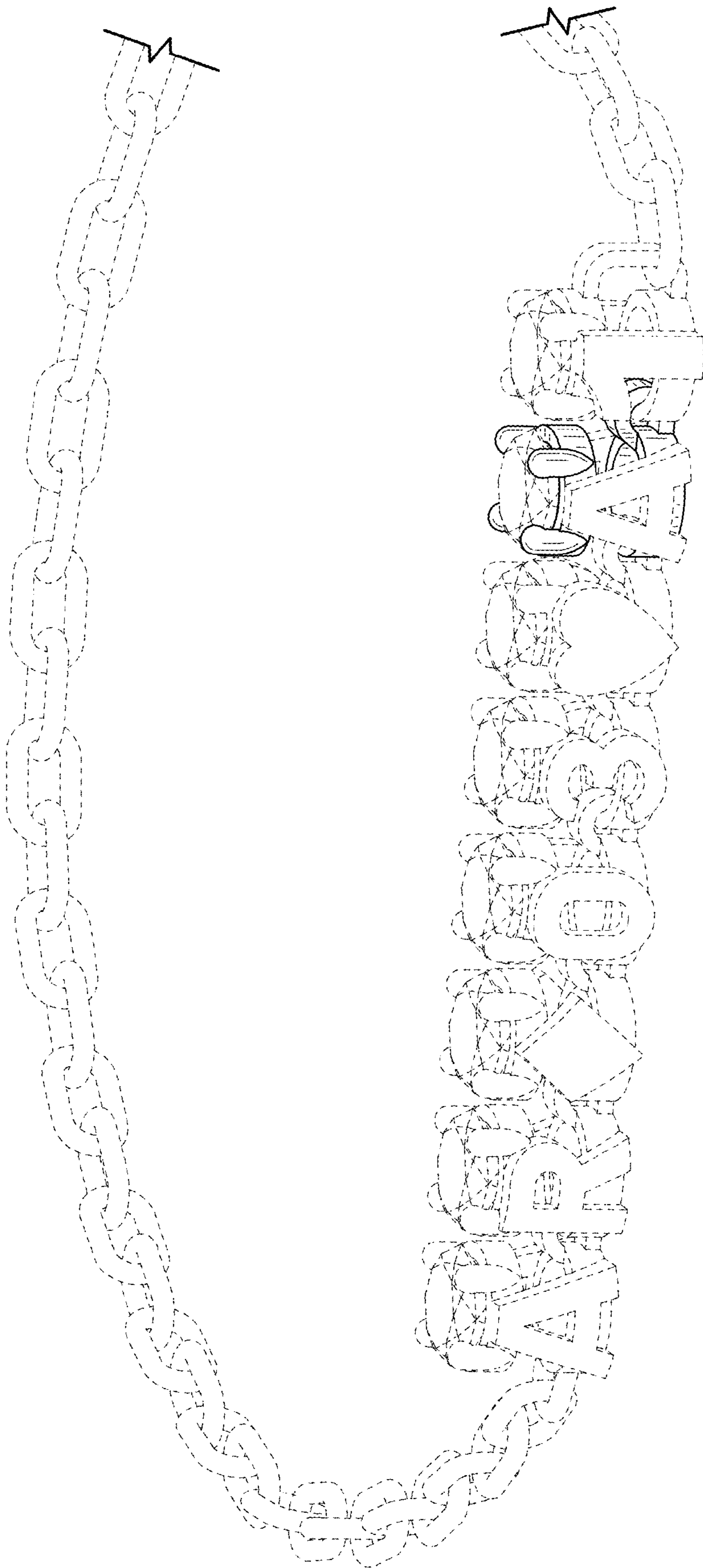
**DESCRIPTION**

FIG. 1 is a perspective view of an article of jewelry, showing my new design in a configuration of use; FIG. 2 is a front perspective view thereof; FIG. 3 is a bottom perspective view thereof; FIG. 4 is a front elevation view thereof; FIG. 5 is a back elevation view thereof; FIG. 6 is a right side elevation view thereof; FIG. 7 is a left side elevation view thereof; FIG. 8 is a top plan view thereof; and, FIG. 9 is a bottom plan view thereof.

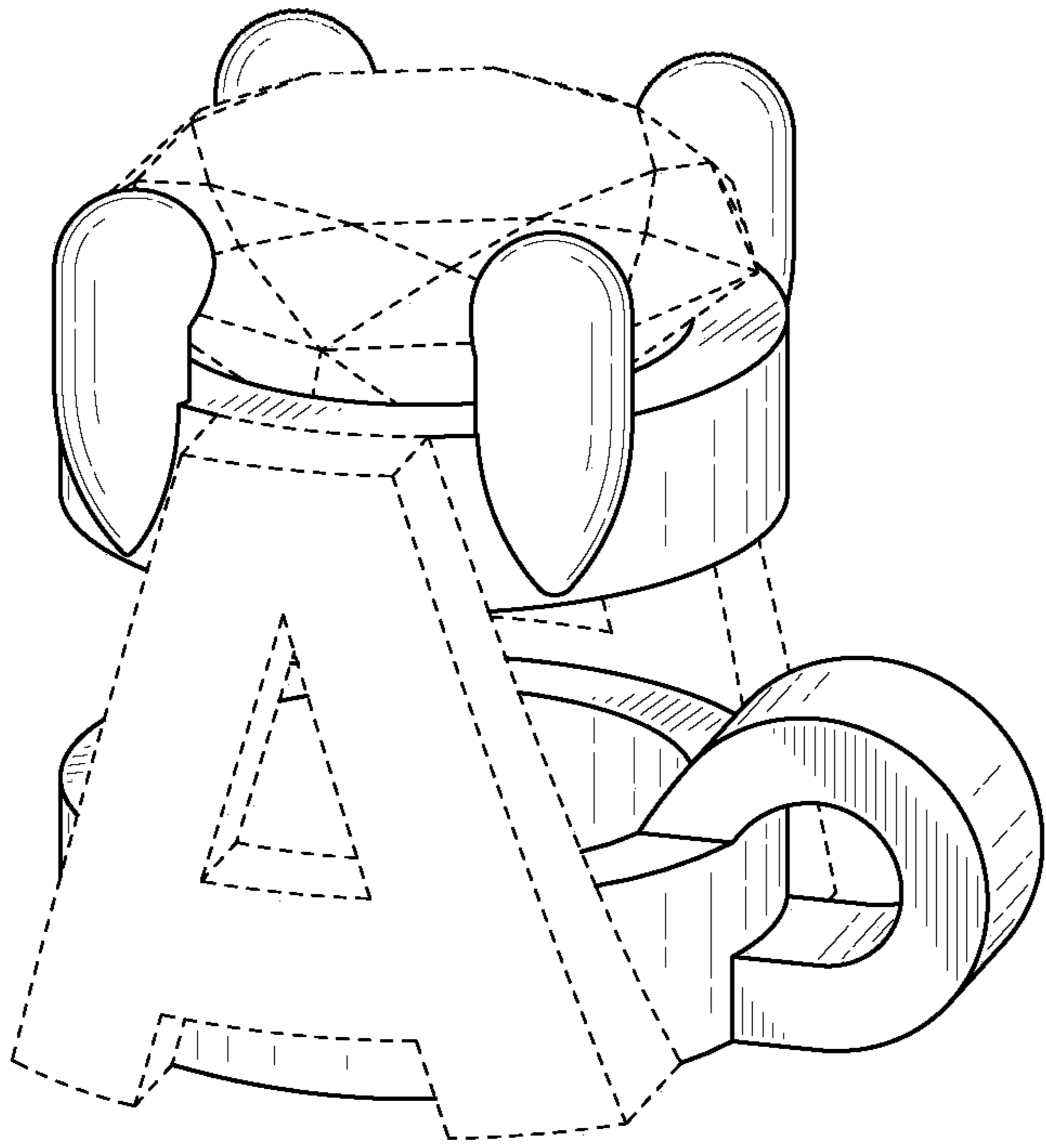
The broken lines in the drawings represent portions of the article of jewelry that form no part of the claimed design. The other broken lines in FIG. 1 represent environmental subject matter only and form no part of the claimed design.

**1 Claim, 4 Drawing Sheets**

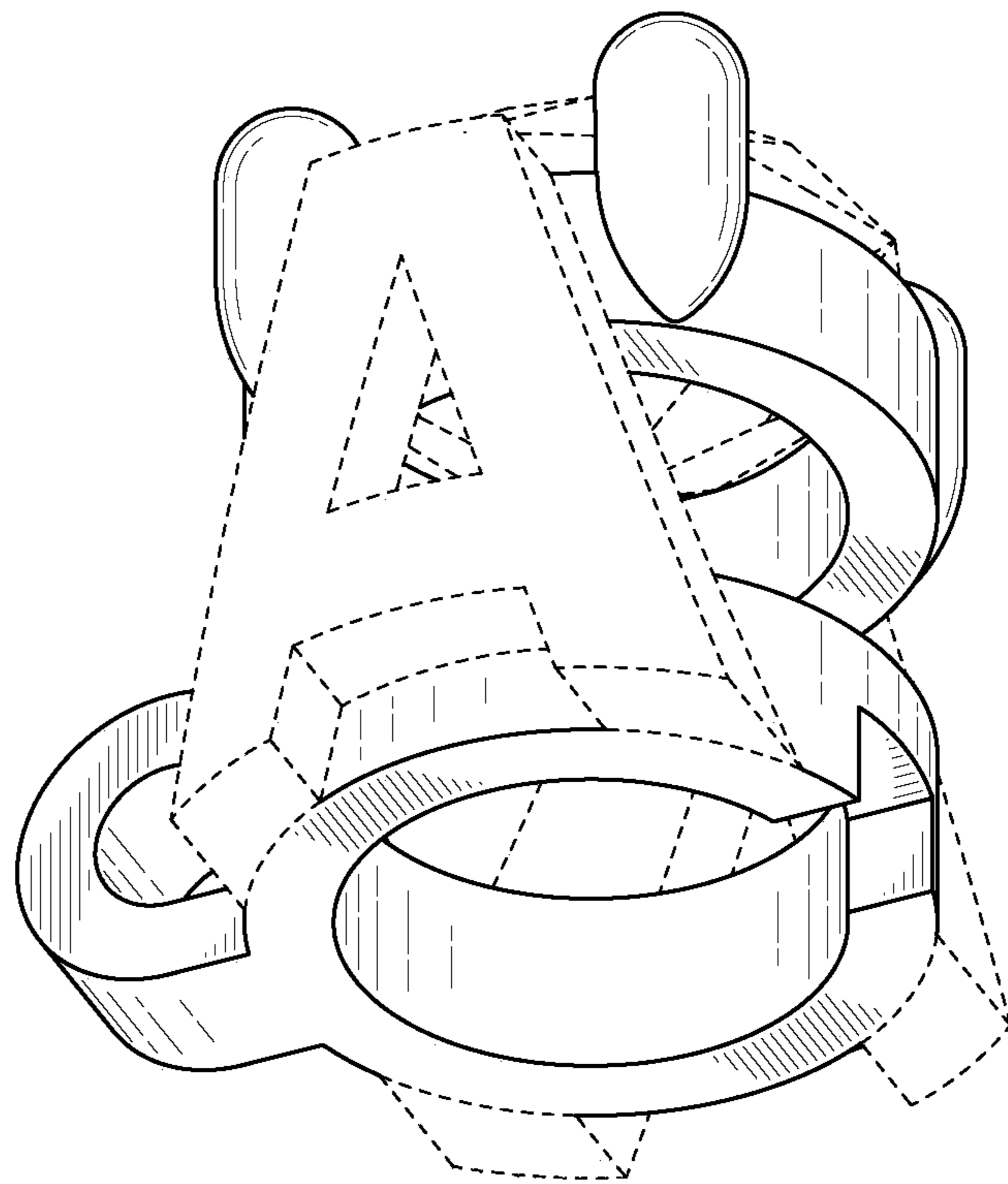




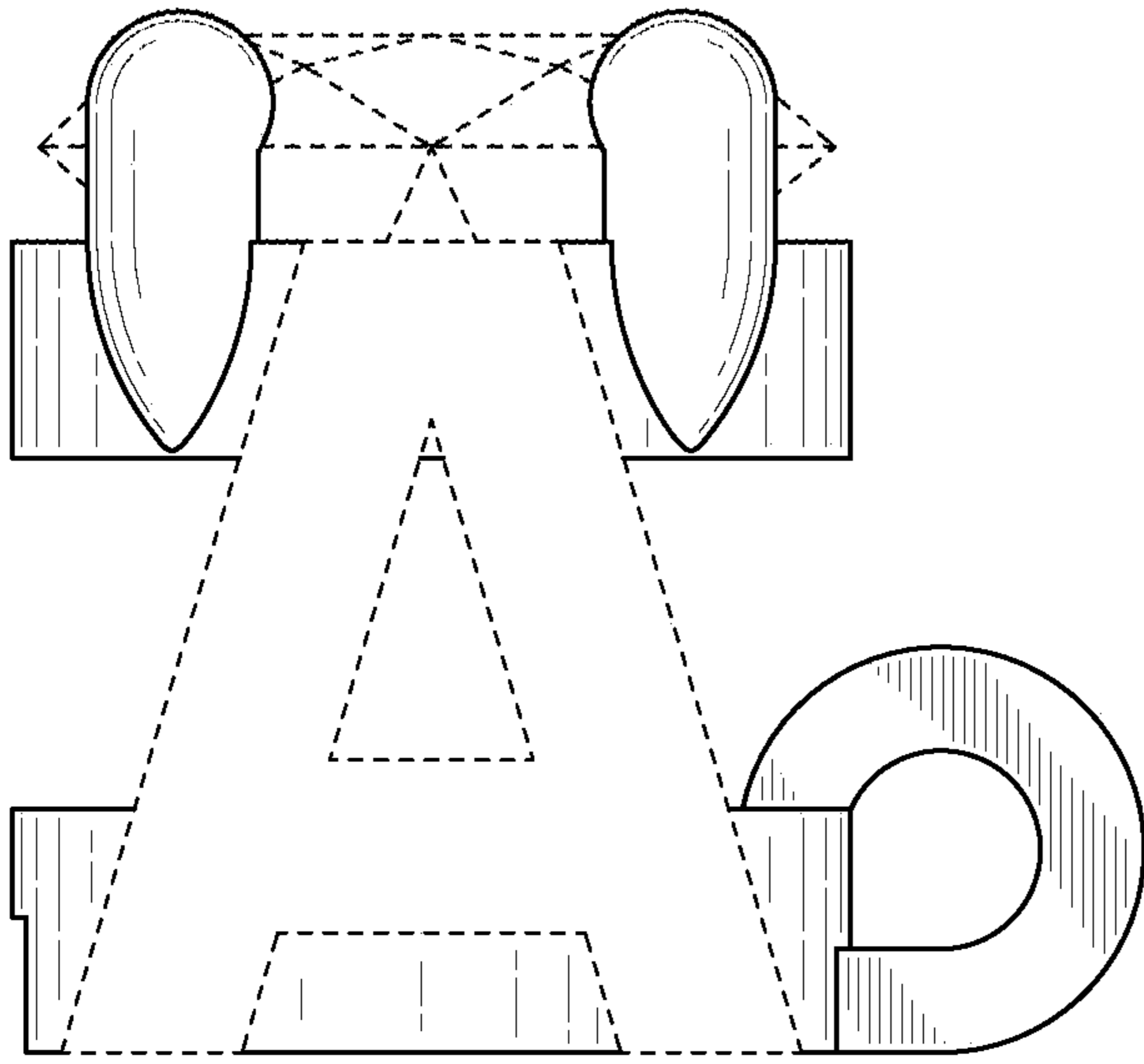
*FIG. 1*



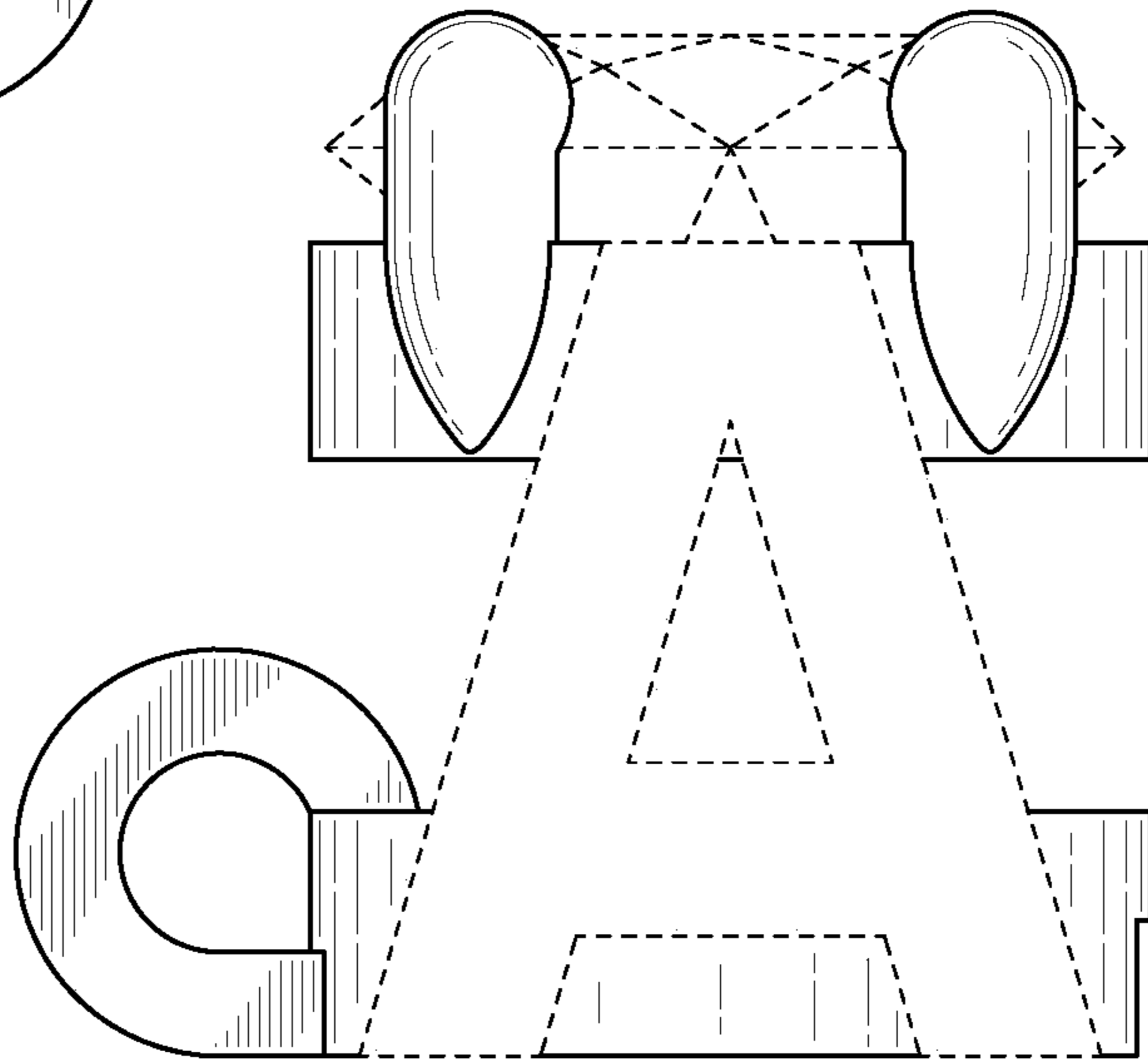
*FIG. 2*



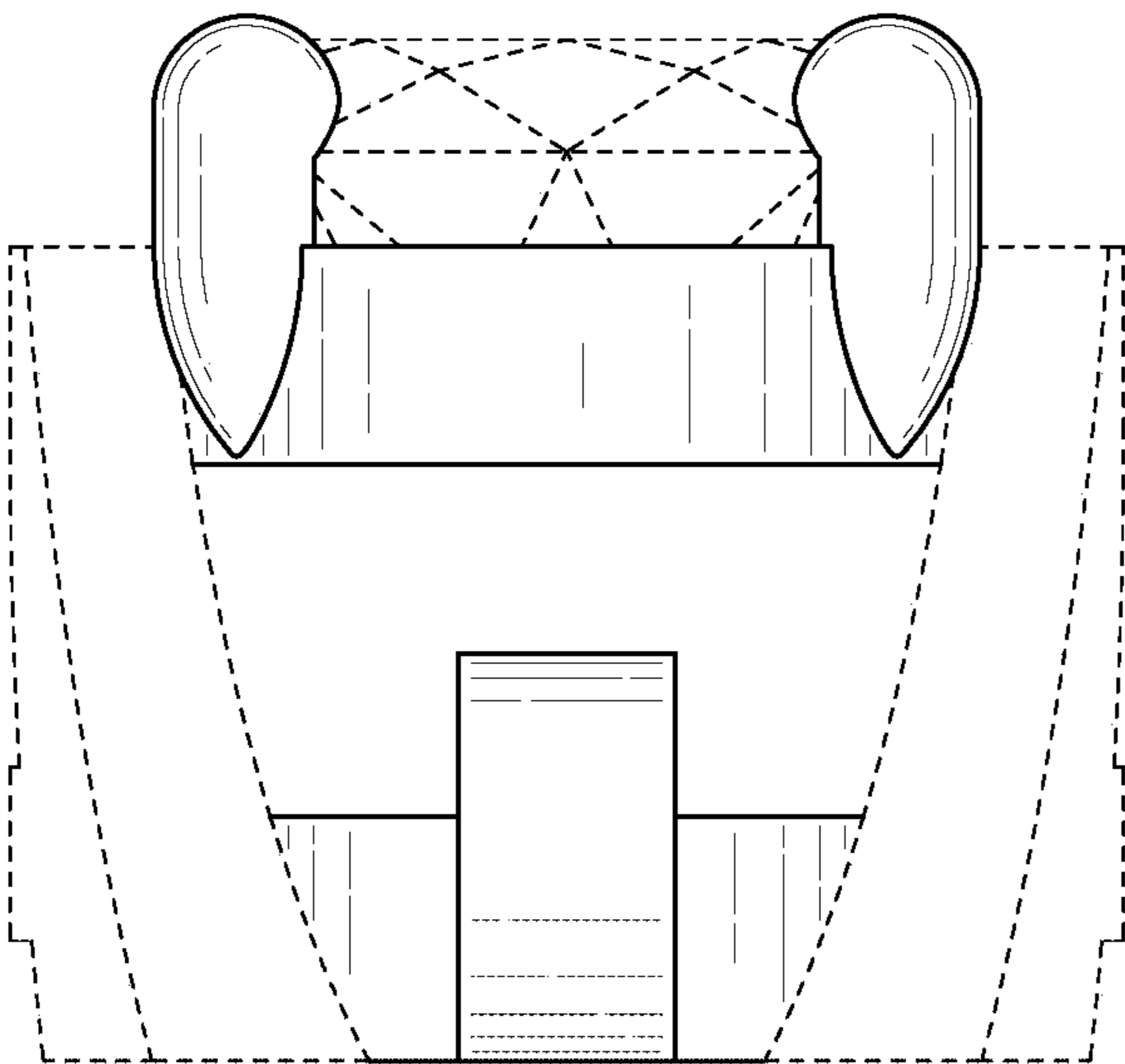
*FIG. 3*



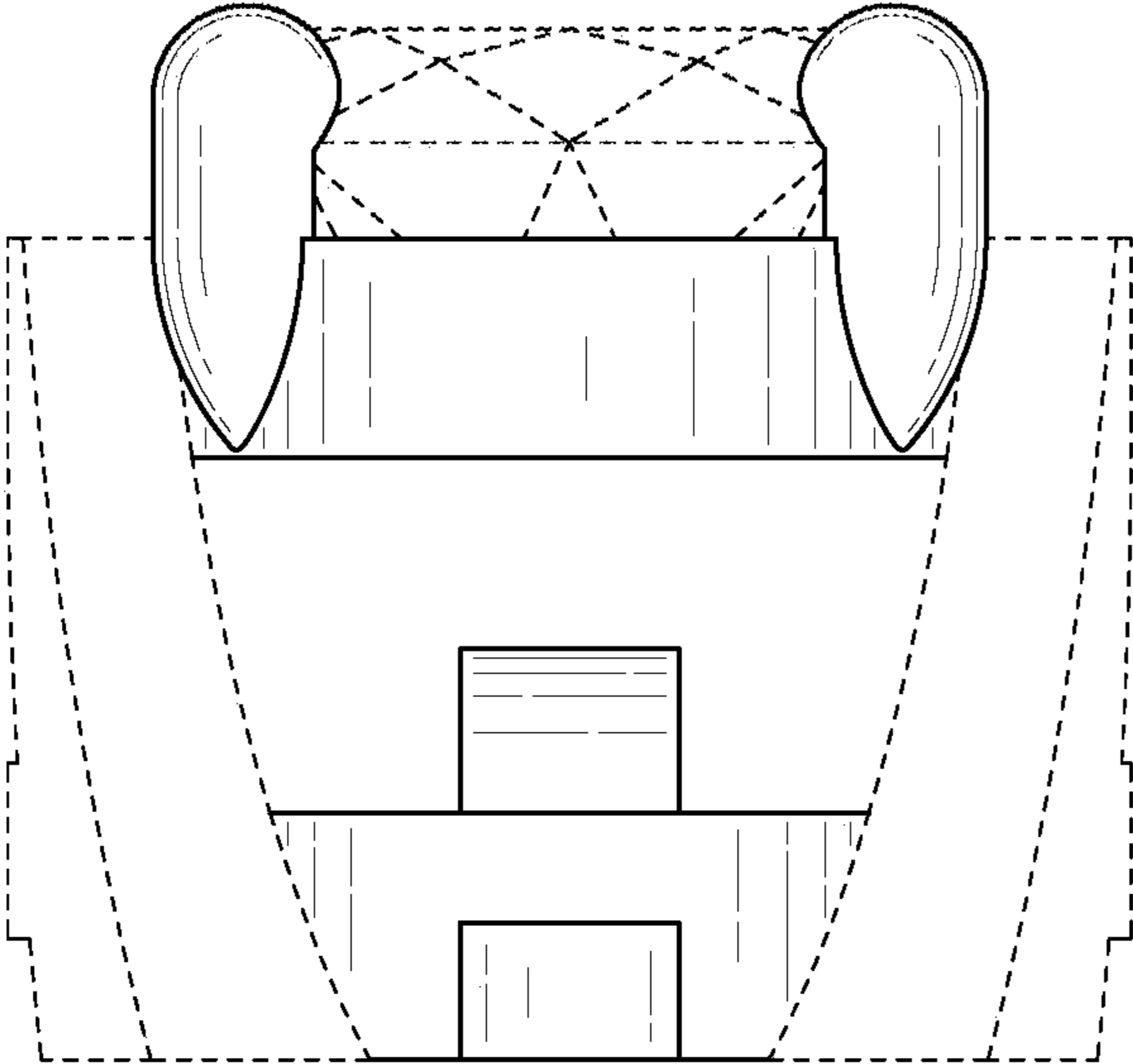
*FIG. 4*



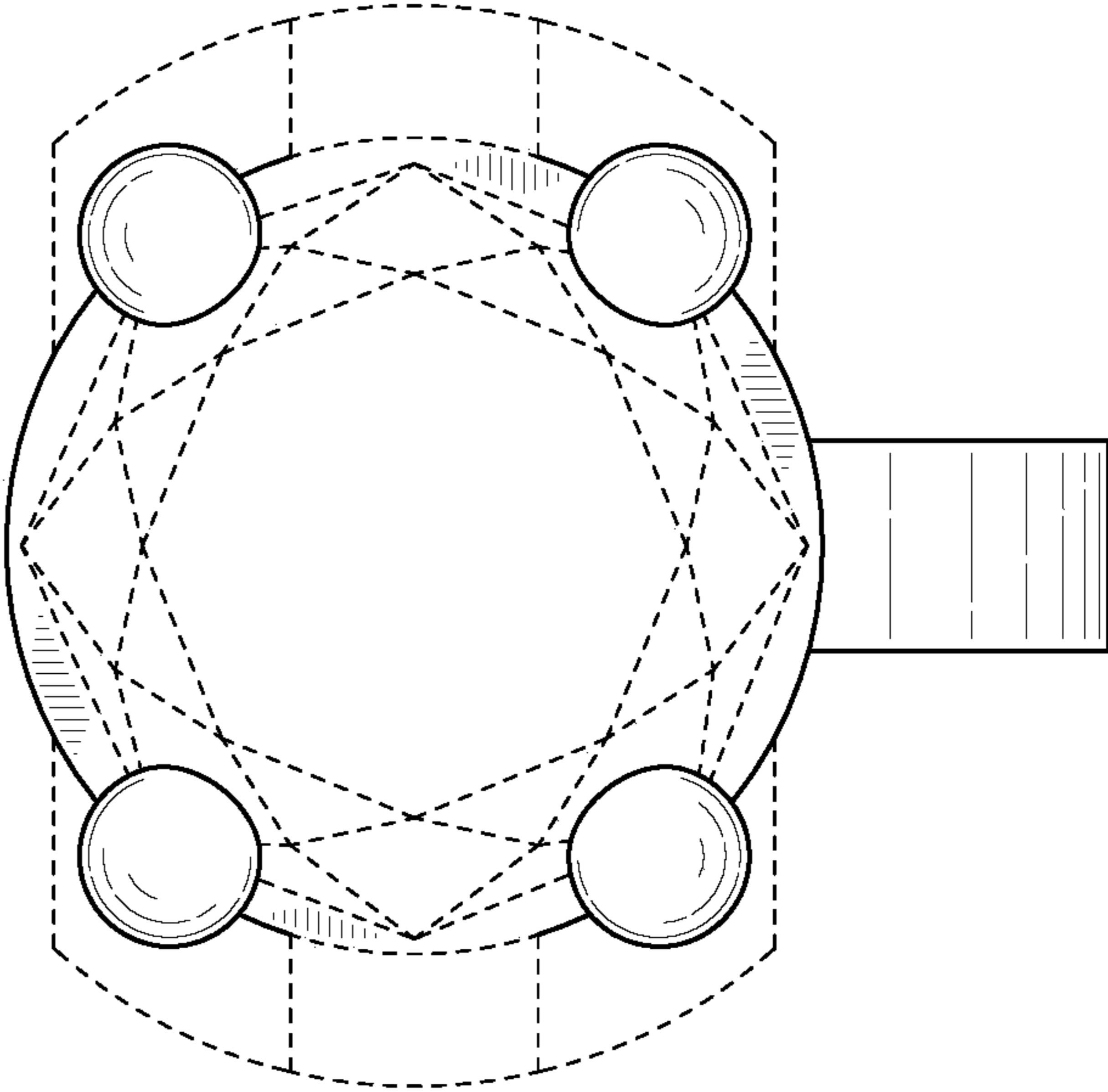
*FIG. 5*



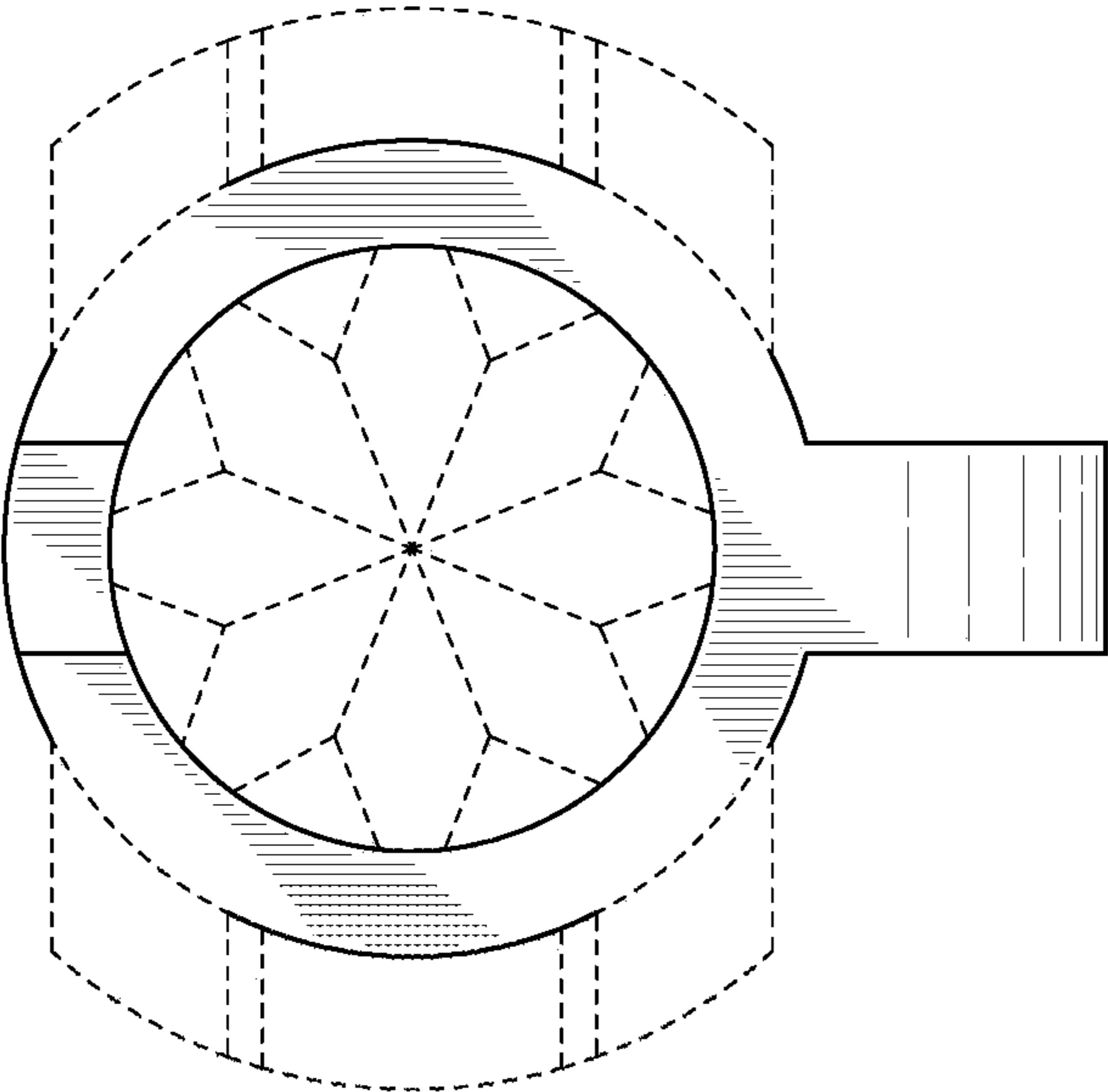
*FIG. 6*



*Fig. 7*



*Fig. 8*



*Fig. 9*