



US00D988175S

(12) **United States Design Patent** (10) **Patent No.:** **US D988,175 S**  
**Chen** (45) **Date of Patent:** **\*\* Jun. 6, 2023**

(54) **PENDANT**  
(71) Applicant: **Huiwen Chen**, Lufeng (CN)  
(72) Inventor: **Huiwen Chen**, Lufeng (CN)  
(\*\*) Term: **15 Years**

D325,713 S \* 4/1992 Pierce ..... D11/63  
D325,885 S \* 5/1992 Small ..... D11/115  
D326,068 S \* 5/1992 Pierce ..... D11/63  
D326,242 S \* 5/1992 Pierce ..... D11/63  
D355,388 S \* 2/1995 Barrow ..... D11/79  
D358,251 S \* 5/1995 Bettis ..... D3/208  
D367,625 S \* 3/1996 Goldman ..... D11/79

(Continued)

(21) Appl. No.: **29/820,187**  
(22) Filed: **Dec. 20, 2021**  
(51) **LOC (14) Cl.** ..... **11-01**  
(52) **U.S. Cl.**  
USPC ..... **D11/84**  
(58) **Field of Classification Search**  
USPC ..... D11/7, 8, 43–45, 79–85; D3/207–212  
CPC ..... A44C 25/00; A44C 25/001; A44C 25/002;  
A44C 25/004; A44C 25/007  
See application file for complete search history.

**FOREIGN PATENT DOCUMENTS**

CN 306202672 \* 12/2020  
CN 307100134 \* 2/2022  
GB 6059867 \* 5/2019

**OTHER PUBLICATIONS**

Toupop Gift for Women Tree of Life Necklace, available Sep. 1, 2021, online, site visited Sep. 8, 2022. Available online, URL: <https://www.amazon.com/TOUPOP-Necklace-Sterling-Birthday-Valentines/dp/B098T9XTL9/> (Year: 2021).\*

(Continued)

(56) **References Cited**

**U.S. PATENT DOCUMENTS**

D11,463 S \* 10/1879 Elias ..... D13/103  
D38,491 S \* 3/1907 Grees ..... D11/80  
D38,633 S \* 6/1907 Arnold ..... D11/80  
D100,841 S \* 8/1936 Barrett ..... D11/79  
D108,442 S \* 2/1938 Hill ..... D11/114  
D161,435 S \* 1/1951 Evans ..... D11/111  
D172,032 S \* 4/1954 Katz ..... D11/18  
D175,612 S \* 9/1955 Katz ..... D11/18  
D175,964 S \* 11/1955 Katz ..... D11/84  
D177,364 S \* 4/1956 Burkhart ..... D11/81  
D177,416 S \* 4/1956 Katz ..... D11/83  
D177,497 S \* 4/1956 Frank ..... D11/79  
2,778,208 A \* 1/1957 Flint ..... A44C 25/001  
63/23  
D225,560 S \* 12/1972 Bethune ..... D11/84  
D227,295 S \* 6/1973 Patterson ..... D11/80  
D230,762 S \* 3/1974 Patterson ..... D11/80  
D236,368 S \* 8/1975 Jacobson ..... D11/80  
D280,189 S \* 8/1985 Moses et al.  
D282,353 S \* 1/1986 Wong ..... D11/82  
4,970,878 A \* 11/1990 Lee ..... A44C 25/001  
63/23

*Primary Examiner* — W. A. Teddy Falloway  
*Assistant Examiner* — Sarah J Ault

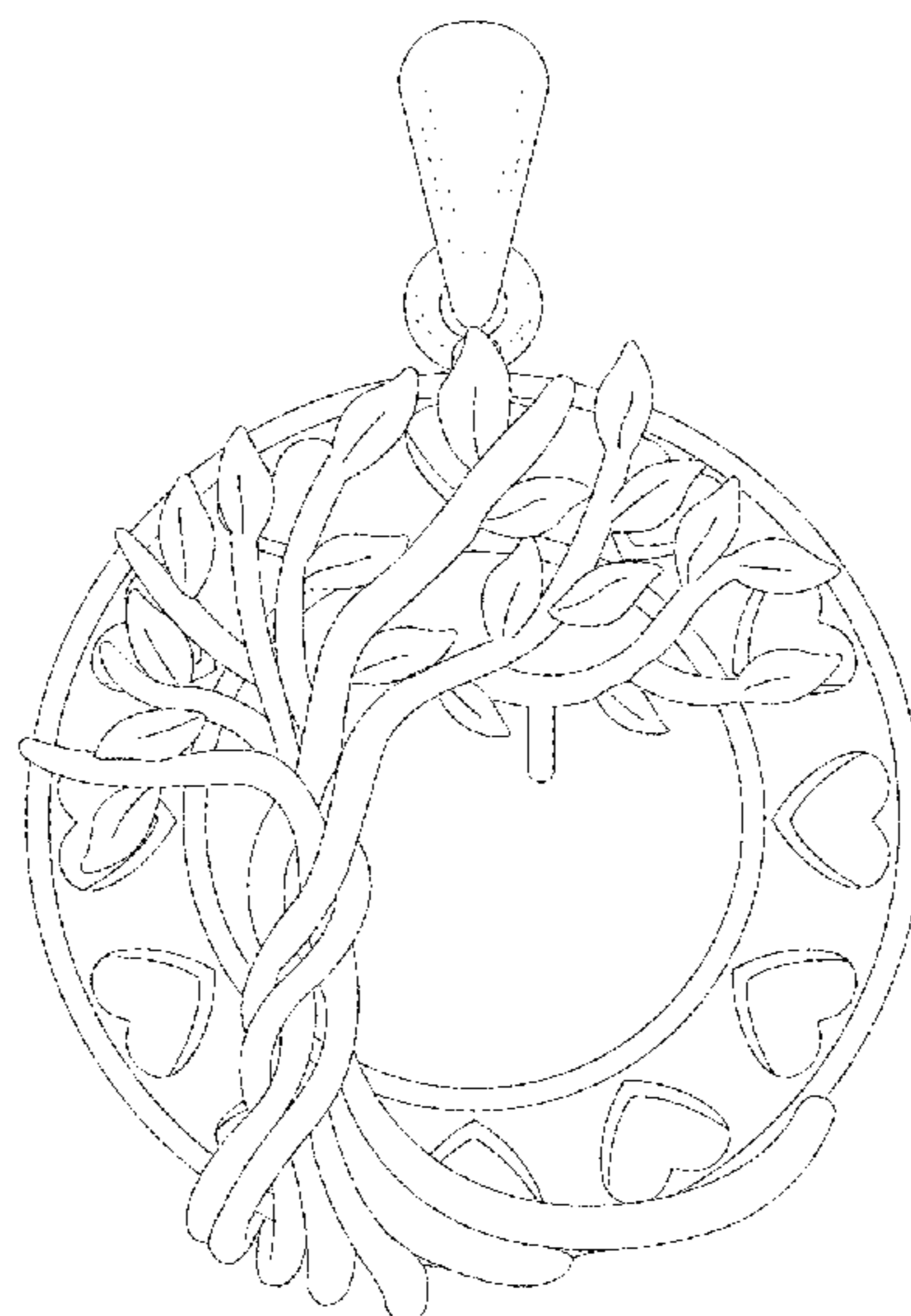
(57) **CLAIM**

The ornamental design for a pendant, as shown and described.

**DESCRIPTION**

FIG. 1 is a front elevation view of a pendant showing the new design;  
FIG. 2 is a back elevation view thereof;  
FIG. 3 is a left-side view thereof;  
FIG. 4 is a right-side view thereof;  
FIG. 5 is a top plan view thereof;  
FIG. 6 is a bottom plan view thereof; and,  
FIG. 7 is a perspective view thereof.

**1 Claim, 7 Drawing Sheets**



(56)

**References Cited**

U.S. PATENT DOCUMENTS

D473,156	S	*	4/2003	Sloot	.....	D11/79
D520,180	S	*	5/2006	Chen	.....	D12/209
D628,117	S	*	11/2010	Speegle	.....	D11/79
D658,532	S		5/2012	Papadimitriou		
D665,694	S		8/2012	Papadimitriou		
D665,695	S		8/2012	Papadimitriou		
D665,696	S	*	8/2012	Schmidt	.....	D11/81
D676,781	S		2/2013	Papadimitriou		
D679,625	S	*	4/2013	McSwain	.....	D11/96
D682,726	S		5/2013	Bulgari		
D685,668	S		7/2013	Guerrero, II		
D685,669	S		7/2013	Papadimitriou		
D715,176	S	*	10/2014	Schifter	.....	D11/79
D718,653	S	*	12/2014	Attia	.....	D11/81
D721,611	S	*	1/2015	Beltran	.....	D11/79
D722,279	S		2/2015	Kirkham		
D742,275	S	*	11/2015	Huang	.....	D11/43
D748,518	S		2/2016	Yatsugi-Kang		
D852,670	S	*	7/2019	Koutsolioutsos	.....	D11/84
D899,292	S	*	10/2020	Zhao	.....	D11/84
D899,960	S	*	10/2020	Zhao	.....	D11/84
D920,833	S	*	6/2021	De Luca	.....	D11/79
D921,526	S	*	6/2021	Krauss	.....	D11/100
D955,269	S	*	6/2022	Glatz	.....	D11/79
D961,448	S	*	8/2022	Funk	.....	D11/95
D962,632	S	*	9/2022	Liu	.....	D10/104.1
2017/0273415	A1	*	9/2017	Watts	.....	H04W 4/80

OTHER PUBLICATIONS

925 Sterling Silver Pendant, available Aug. 22, 2019, online, site visited Sep. 8, 2022. Available online, URL: <https://www.amazon.com/Odinstone-Sterling-Necklace-Jewellery-Girlfriend/dp/B07WYBTSYV/> (Year: 2019).\*

\* cited by examiner

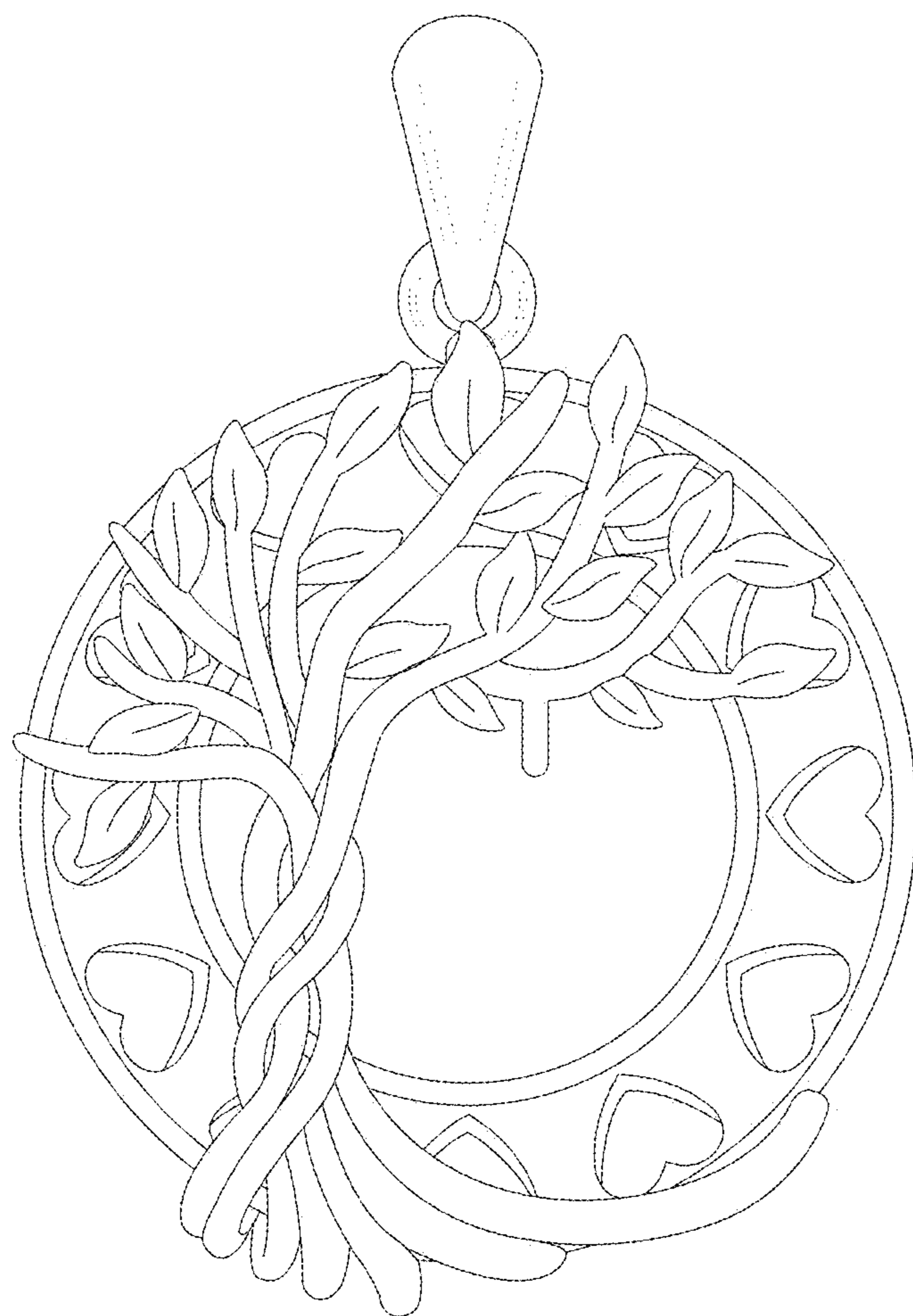


FIG. 1

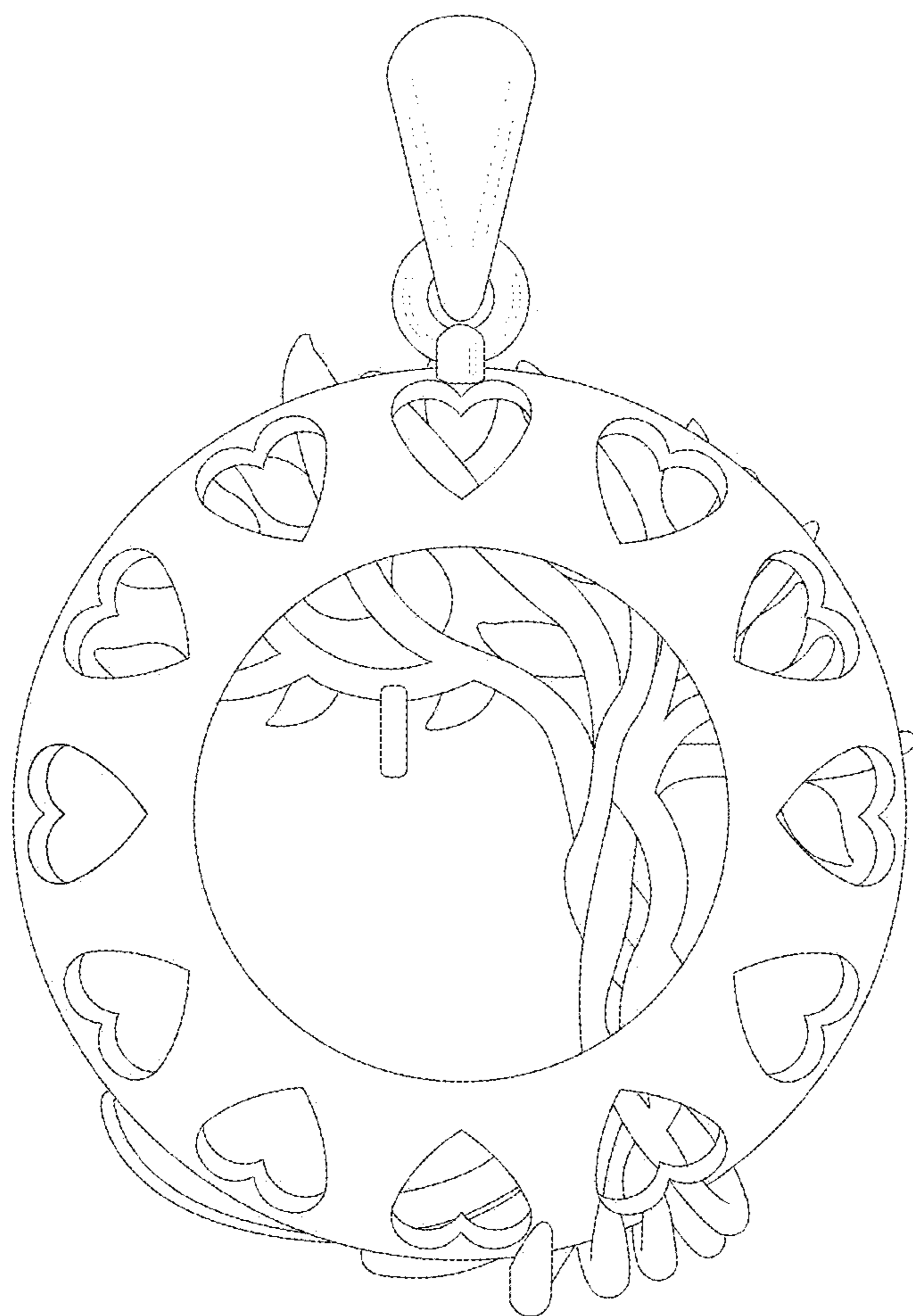


FIG. 2

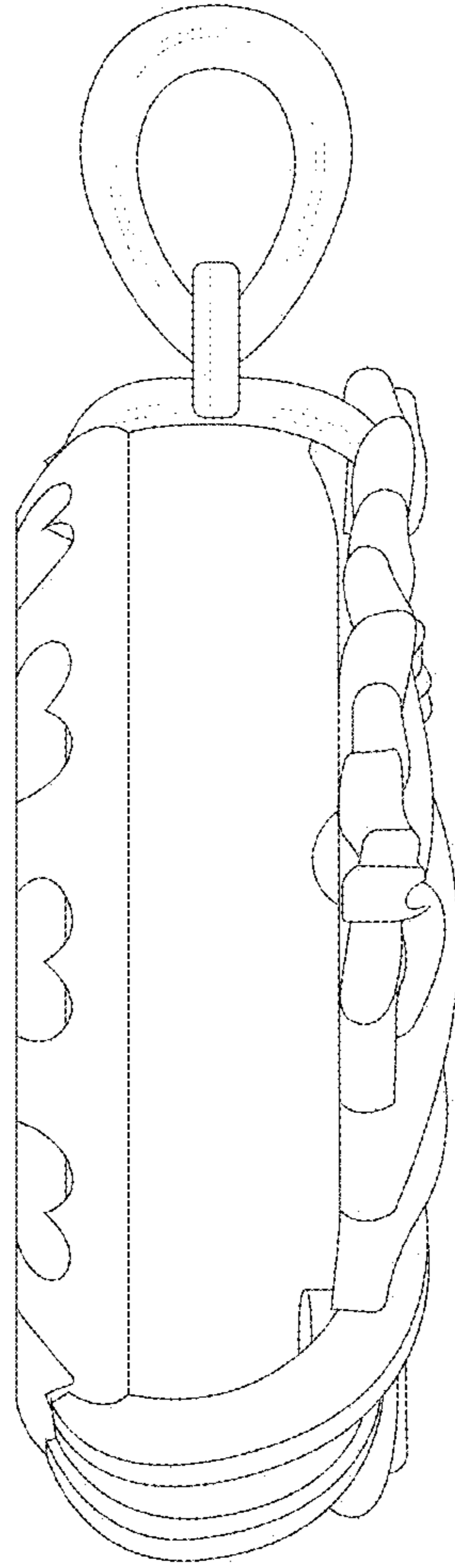


FIG. 3

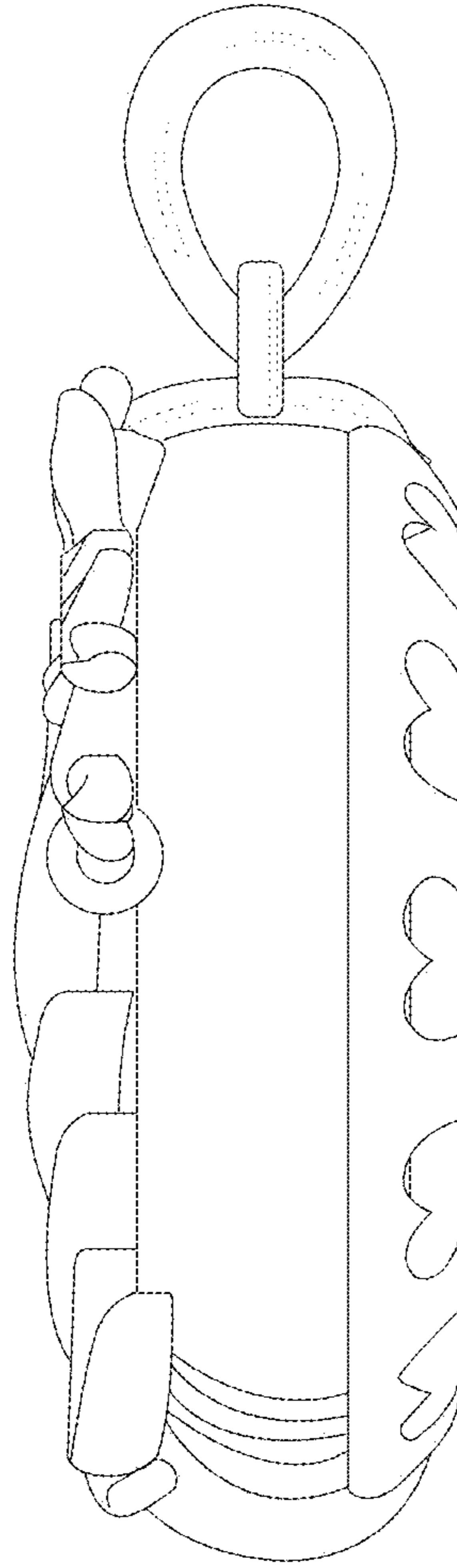


FIG. 4

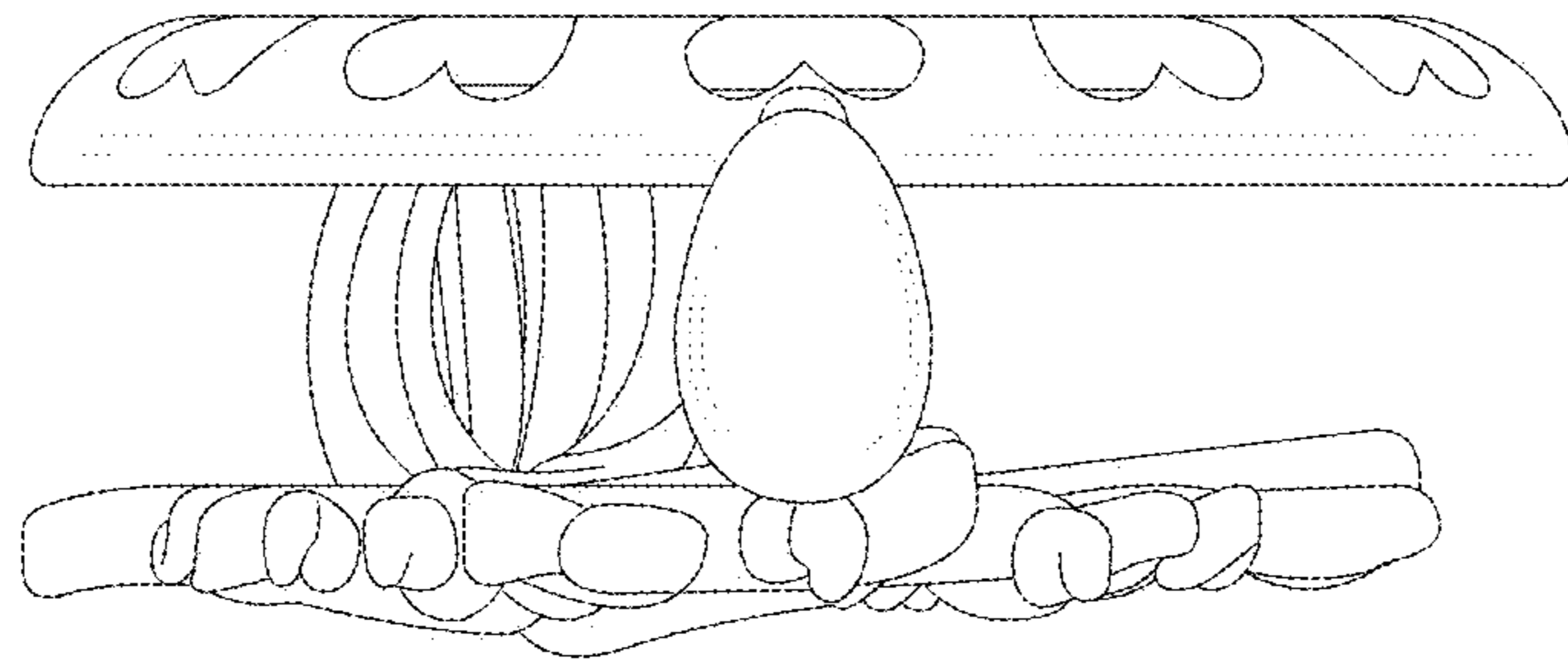


FIG. 5

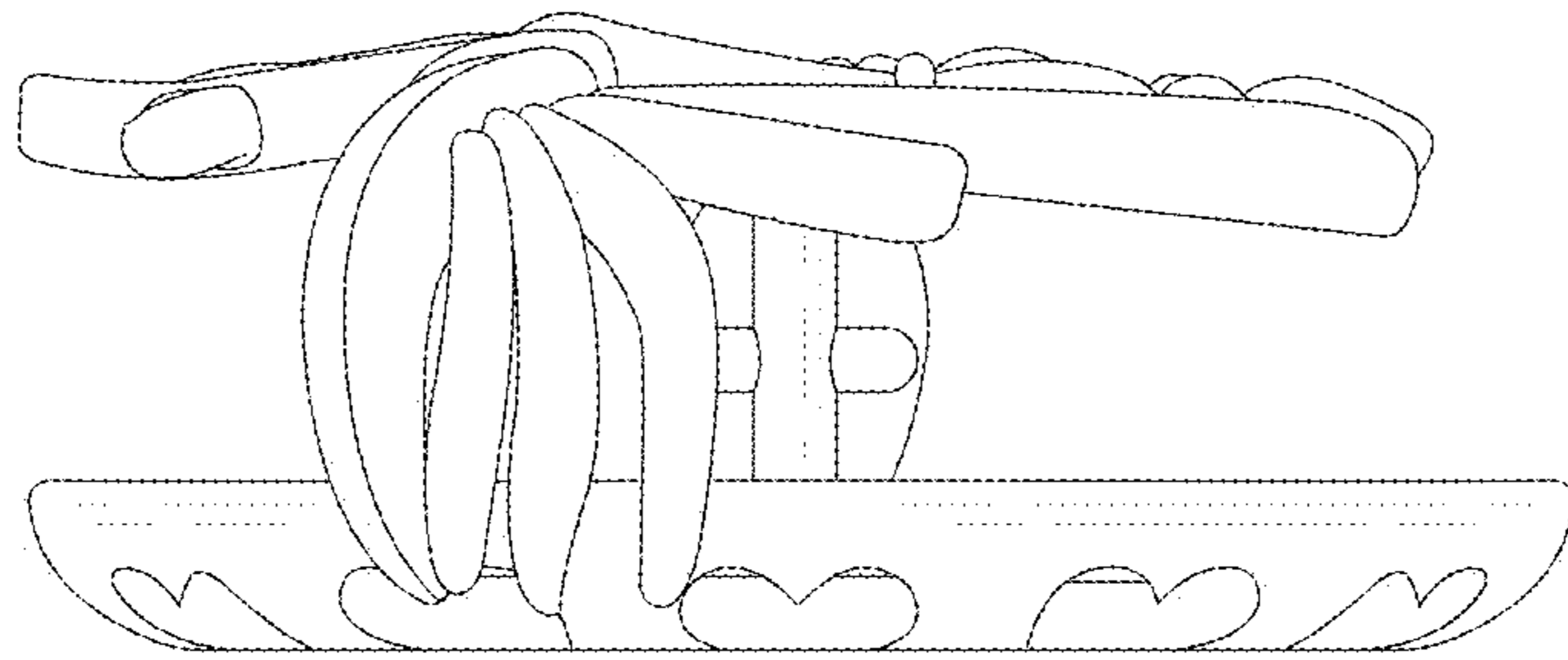


FIG. 6



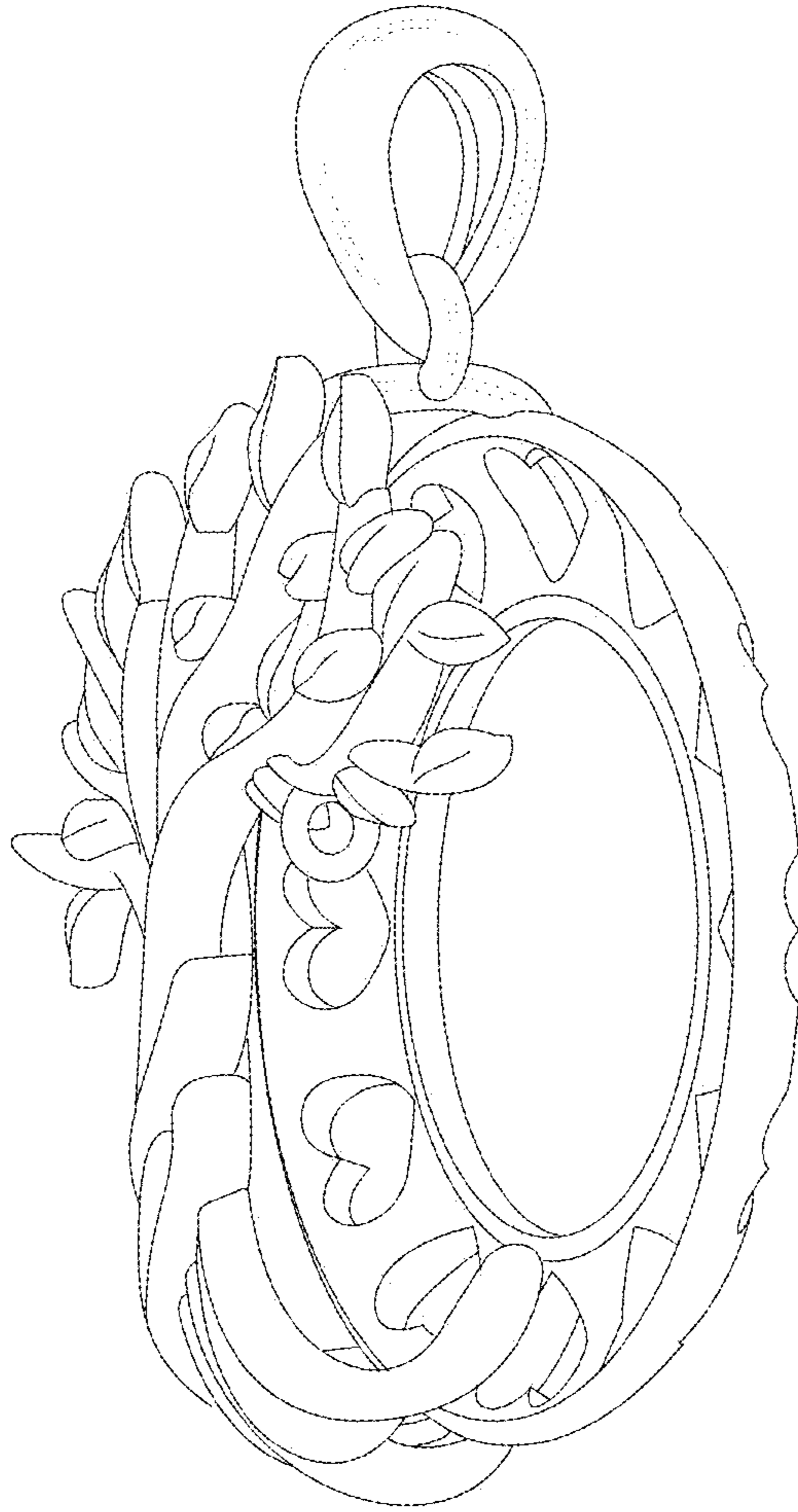


FIG. 7