



US00D988170S

(12) **United States Design Patent** (10) **Patent No.:** **US D988,170 S**
Wu (45) **Date of Patent:** **** Jun. 6, 2023**

(54) **WATCHBAND**

(71) Applicant: **Huodi Wu, Ji'an (CN)**

(72) Inventor: **Huodi Wu, Ji'an (CN)**

(**) Term: **15 Years**

(21) Appl. No.: **29/886,478**

(22) Filed: **Mar. 9, 2023**

(30) **Foreign Application Priority Data**

Feb. 16, 2023 (CN) 202330054160.4

(51) **LOC (14) Cl.** **11-01**

(52) **U.S. Cl.**
USPC **D11/3**

(58) **Field of Classification Search**

USPC D11/1-25; D10/30-39; D14/344;
D24/167, 186, 187

CPC G04B 37/00; G04B 37/1486; G04B 37/16;
G04B 37/18; G04B 37/14; A44C 5/00;
A44C 5/0007; A44C 5/0015; A44C
5/0023; A44C 5/003; A44C 5/0046; A44C
5/0053; A44C 5/0061; A44C 5/0069;
A44C 5/0076; A44C 5/0084; A44C
5/0092; A44C 5/02; A44C 5/022; A44C
5/025; A44C 5/027; A44C 5/04; A44C
5/06; A44C 5/08; A44C 5/10; A44C
5/102; A44C 5/105; A44C 5/107; A44C
5/12; A44C 5/14; A44C 5/142; A44C
5/145; A44C 5/147; A44C 5/16; A44C
5/18; A44C 5/185; A44C 5/20

See application file for complete search history.

(56) **References Cited**

U.S. PATENT DOCUMENTS

D352,476 S *	11/1994	Lefevre	D11/25
D387,692 S *	12/1997	Hanagata	D11/3
D407,342 S *	3/1999	Ishizaka	D11/3
D408,314 S *	4/1999	Kojima	D11/3
D409,940 S *	5/1999	Spandrio	D11/3
D522,900 S *	6/2006	Yamamoto	D11/3
D523,369 S *	6/2006	Jacober	D11/3
D854,960 S *	7/2019	Yu	D11/3
D929,243 S *	8/2021	Xu	D14/344
D932,321 S *	10/2021	Jung	D14/440
D949,711 S *	4/2022	Huang	D10/32
D957,281 S *	7/2022	Huang	D10/132
D972,431 S *	12/2022	Huang	D10/32
D977,360 S *	2/2023	Hu	D14/344
D977,362 S	2/2023	Zhang	
2022/0053892 A1 *	2/2022	Al-Ali	A44C 5/107

* cited by examiner

Primary Examiner — Melanie Pellegrini

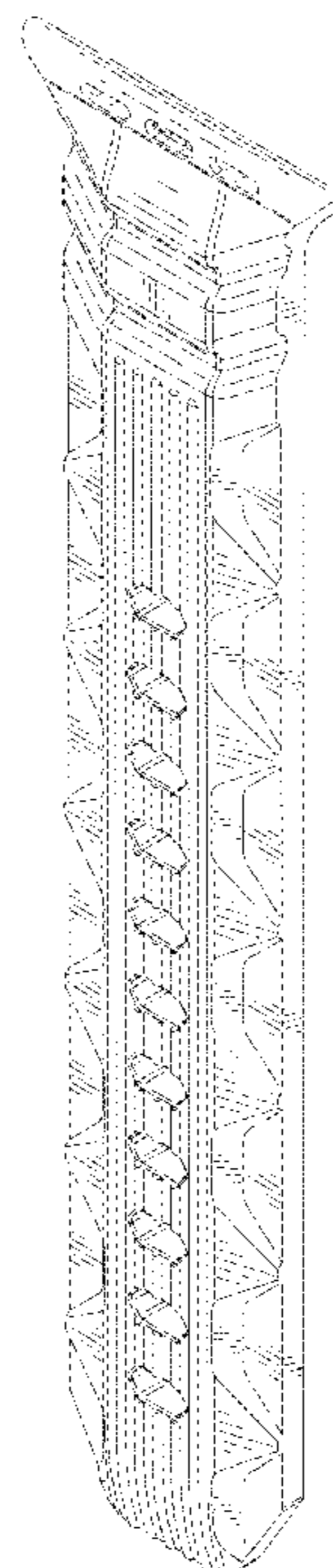
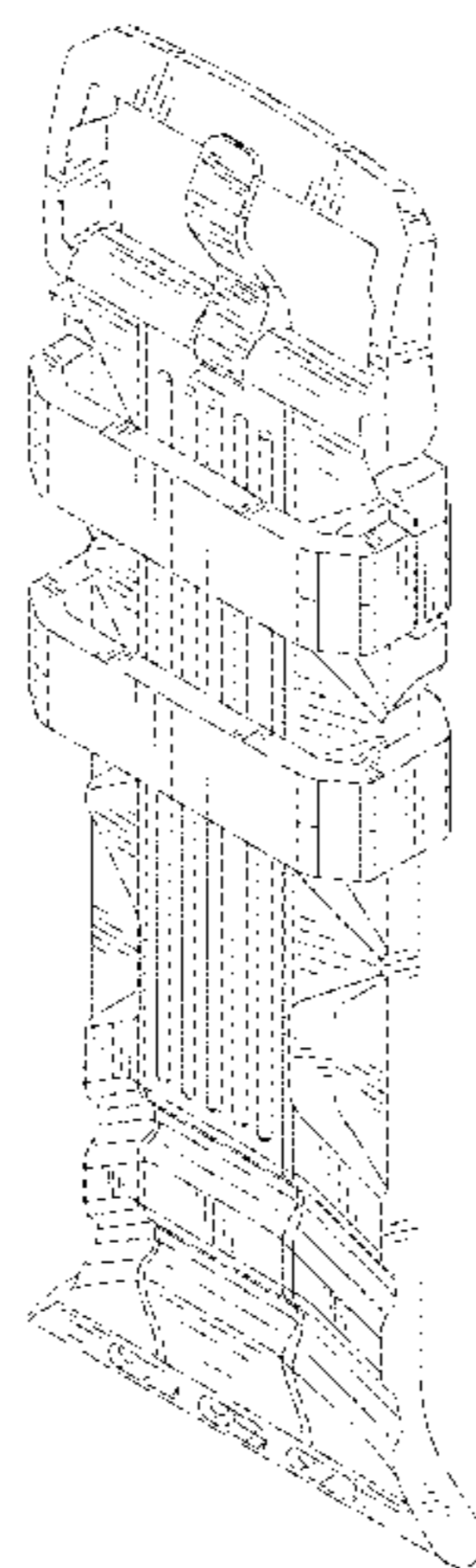
(57) **CLAIM**

The ornamental design for a watchband, as shown and described.

DESCRIPTION

FIG. 1 is a front perspective view of a watchband, showing my new design;
FIG. 2 is a front view thereof;
FIG. 3 is a rear view thereof;
FIG. 4 is a left side view thereof;
FIG. 5 is a right side view thereof;
FIG. 6 is a top view thereof; and,
FIG. 7 is a bottom view thereof.

1 Claim, 7 Drawing Sheets



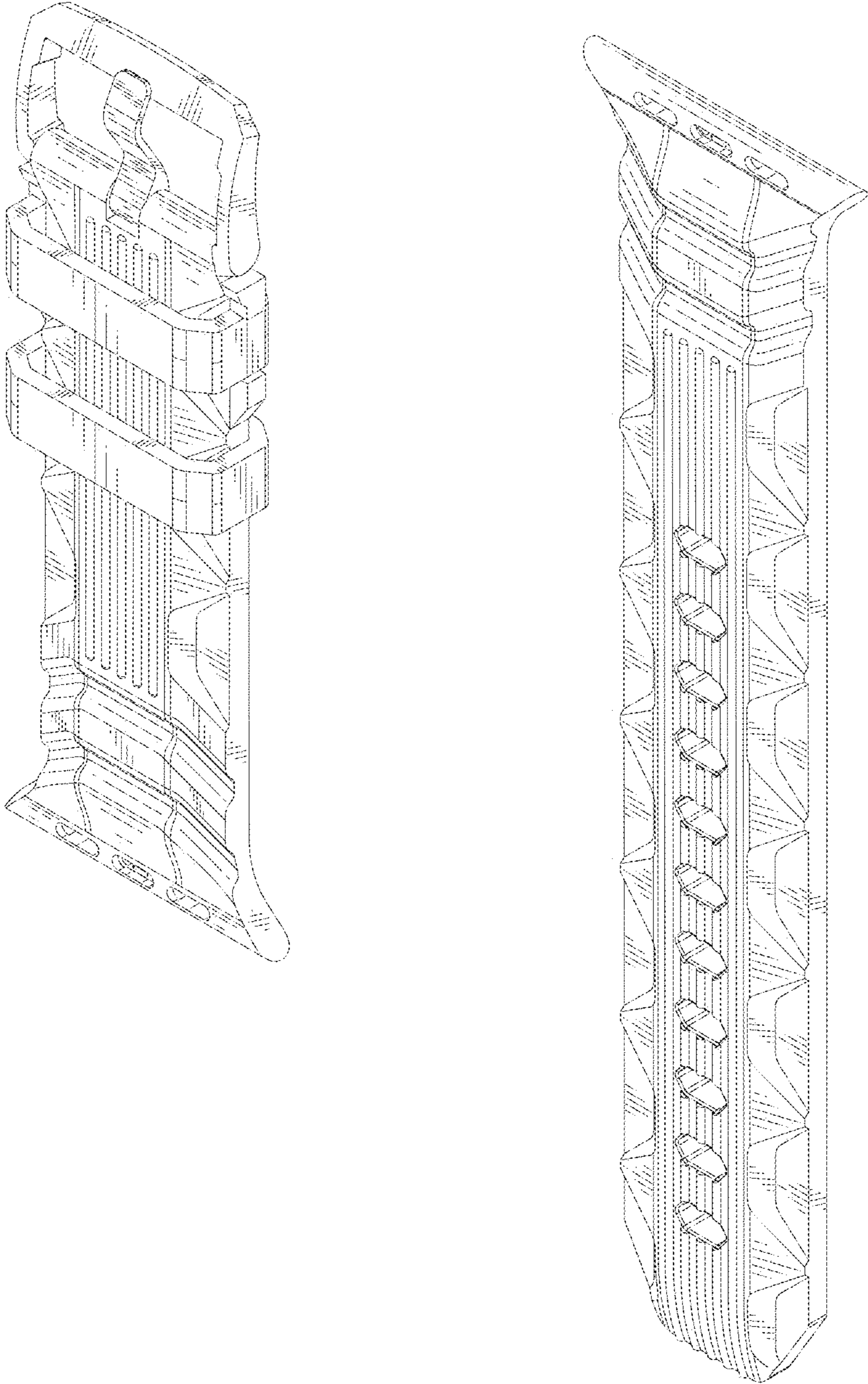


FIG. 1

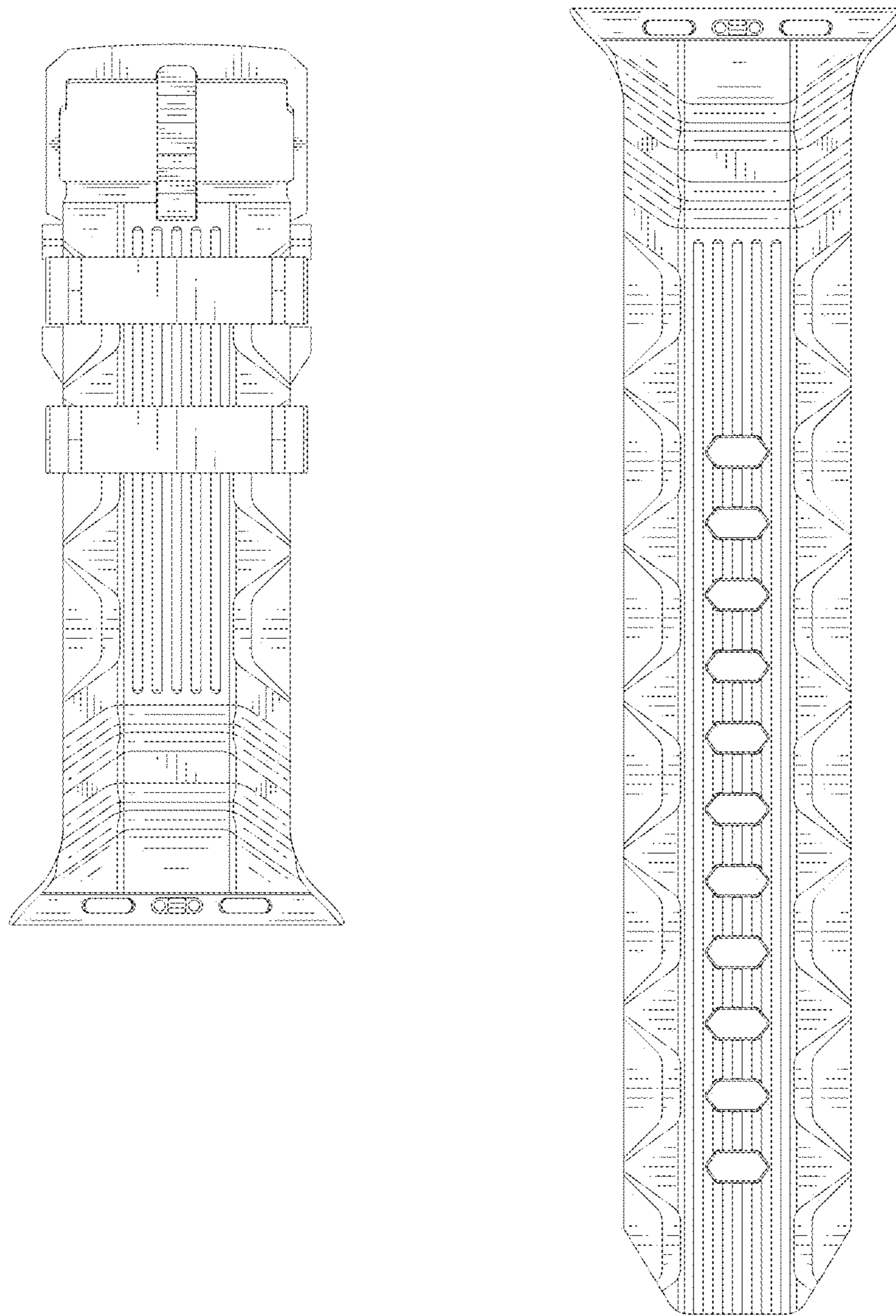


FIG. 2

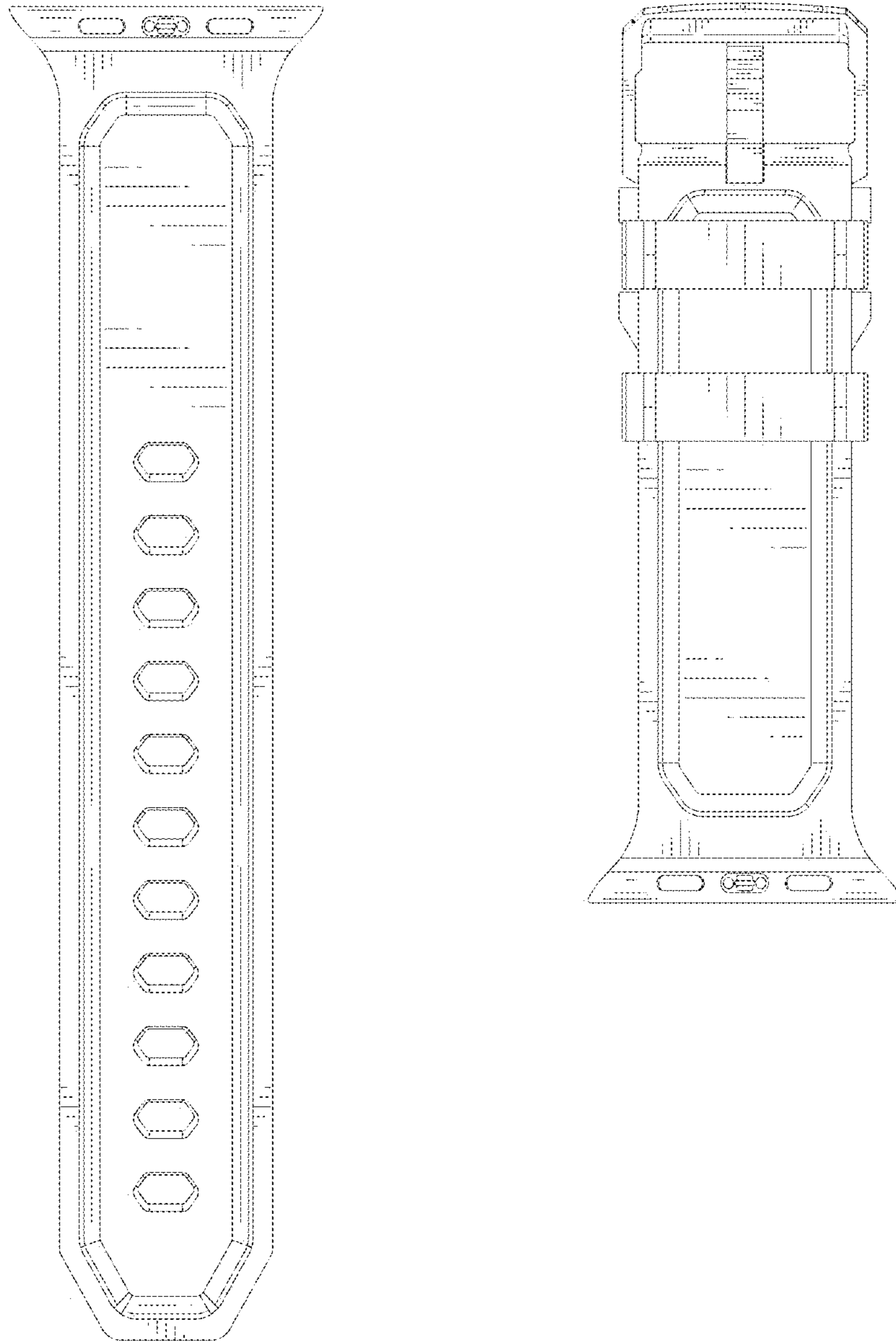


FIG. 3

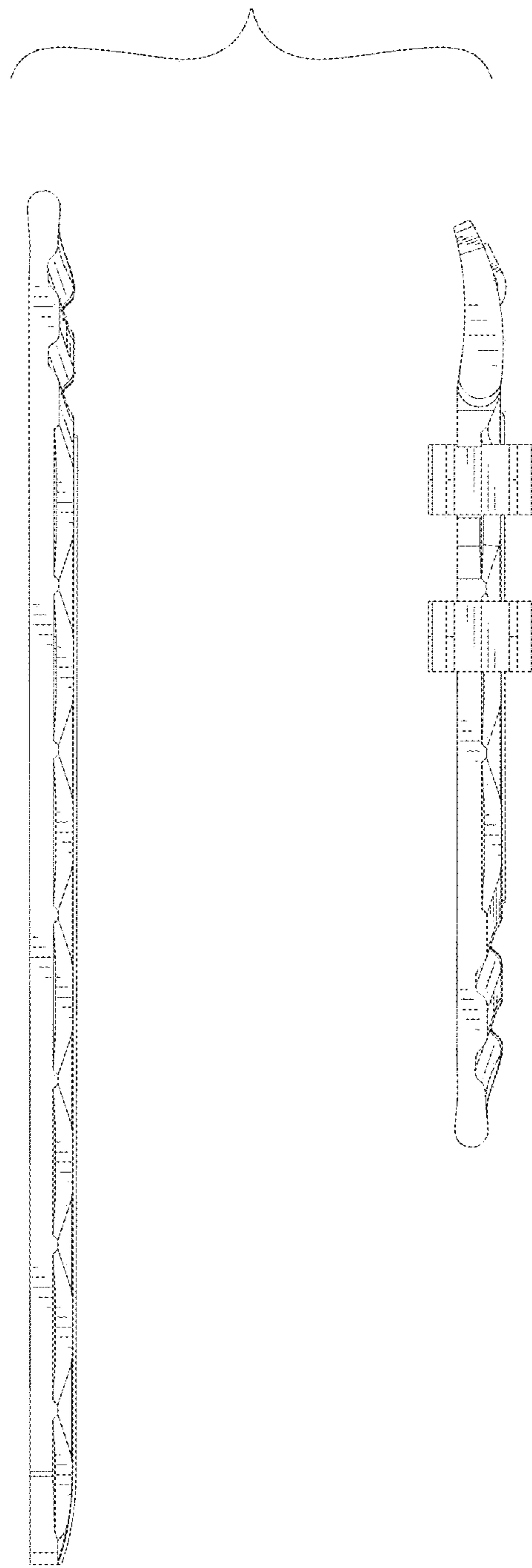


FIG. 4

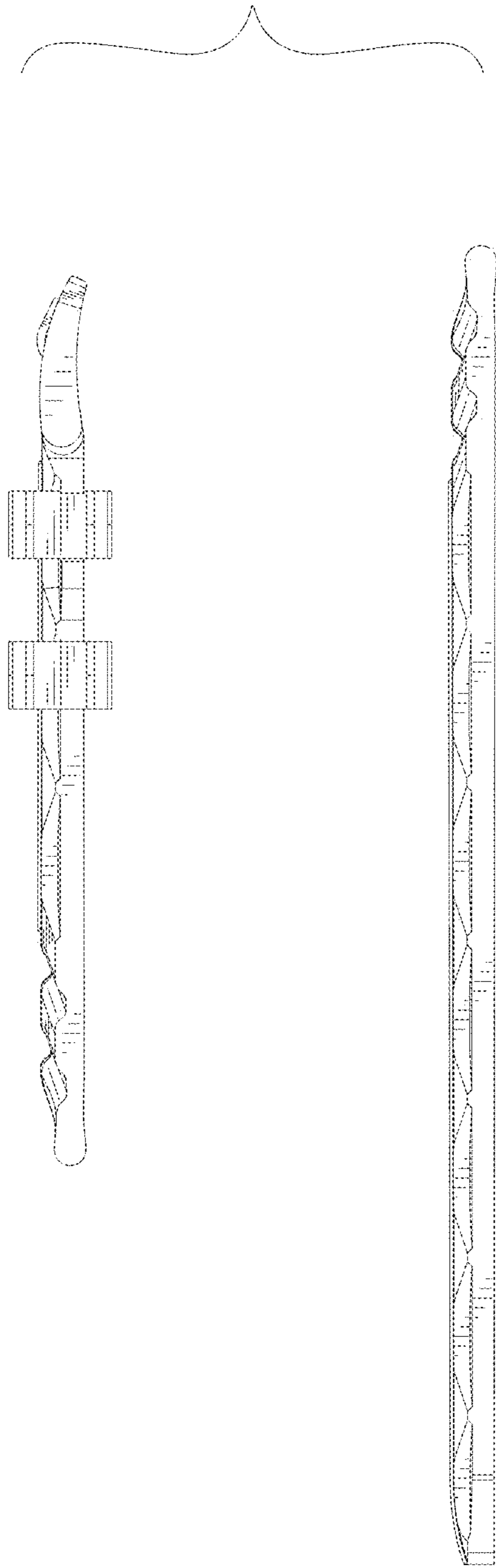


FIG. 5



FIG. 6



FIG. 7