



US00D988169S

(12) **United States Design Patent**
Lin

(10) **Patent No.:** **US D988,169 S**
(45) **Date of Patent:** **** Jun. 6, 2023**

(54) **MAGNETIC STRAP**

(71) Applicant: **Shenzhen Jucai Technology Co., Ltd,**
Shenzhen (CN)

(72) Inventor: **Daying Lin,** Chongzuo (CN)

(73) Assignee: **Shenzhen Jucai Technology Co., Ltd.,**
Shenzhen (CN)

(**) Term: **15 Years**

(21) Appl. No.: **29/882,588**

(22) Filed: **Jan. 17, 2023**

(51) **LOC (14) Cl.** **11-01**

(52) **U.S. Cl.**
USPC **D11/3**

(58) **Field of Classification Search**
USPC D11/1-18, 86, 97, 94; D10/30-32, 38;
D14/344
CPC A44C 5/00; A44C 5/0007; A44C 5/0053;
A44C 5/0061; A44C 5/0069; A44C
5/0076; A44C 5/02; A44C 5/027; A44C
5/107; A44C 5/12; A44C 5/14; A44C
5/16; A44C 5/18; A44C 5/185; A44C
11/00; A44C 13/00

See application file for complete search history.

(56) **References Cited**

U.S. PATENT DOCUMENTS

D287,705 S *	1/1987	Malamoud	D11/25
D548,637 S *	8/2007	Scarinzi	D10/32
D749,460 S *	2/2016	Akana	D11/94
D760,107 S *	6/2016	Akana	D11/5
D786,127 S *	5/2017	Akana	D11/94
D821,912 S *	7/2018	Ke	D11/94
D833,909 S *	11/2018	Akana	D11/94
D837,082 S *	1/2019	Akana	D11/3
D853,881 S *	7/2019	Akana	D11/3
D854,961 S *	7/2019	Akana	D11/3

D863,096 S *	10/2019	Akana	D11/3
D869,323 S *	12/2019	Akana	D11/94
D870,588 S *	12/2019	Akana	D11/3
D882,445 S *	4/2020	Liao	D11/3

(Continued)

FOREIGN PATENT DOCUMENTS

CN	305800292	*	5/2020
CN	307818170	*	1/2023

OTHER PUBLICATIONS

Here are the best 24 bands for your new apple watch, available Nov. 30, 2018, online, site visited Feb. 8, 2023. Available online, URL: <https://appleinsider.com/articles/18/11/30/here-are-the-best-24-bands-for-your-new-apple-watch> (Year: 2018).*

(Continued)

Primary Examiner — W. A. Teddy Falloway

Assistant Examiner — Sarah J Ault

(57) **CLAIM**

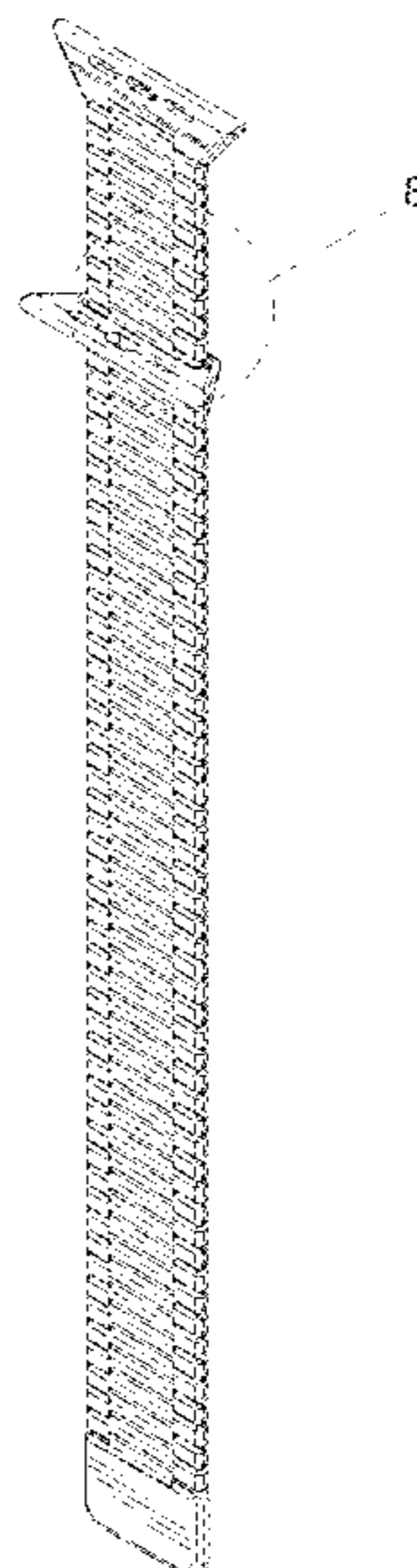
The ornamental design for a magnetic strap, as shown and described.

DESCRIPTION

FIG. 1 is a front perspective view of a magnetic strap, showing my new design;
FIG. 2 is a front view thereof;
FIG. 3 is a rear view thereof;
FIG. 4 is a left side view thereof;
FIG. 5 is a right side view thereof;
FIG. 6 is an enlarged plan of the top surface;
FIG. 7 is an enlarged plan of the bottom surface;
FIG. 8 is a partial enlargement of FIG. 1; and,
FIG. 9 is a perspective view of the magnetic strap shown in FIG. 1, shown in a state of use.

The dash-dot-dash broken lines encircling the enlarged views are for annotative purposes only and form no part of the claim thereof.

1 Claim, 9 Drawing Sheets



(56)

References Cited

U.S. PATENT DOCUMENTS

D883,837	S	*	5/2020	Akana	D11/3
D885,231	S	*	5/2020	Laucella	D11/3
D913,141	S	*	3/2021	Li	D11/3
D929,884	S	*	9/2021	Yi	D11/3
D932,332	S	*	10/2021	Akana	D11/3
D934,101	S	*	10/2021	Akana	D11/13
D954,586	S	*	6/2022	Huang	D10/32
D955,255	S	*	6/2022	Cai	D11/3
D955,256	S	*	6/2022	Cao	D11/3
D955,911	S	*	6/2022	Cai	D11/3
D970,380	S	*	11/2022	Wu	D11/3
D970,382	S	*	11/2022	Wu	D11/3
D973,533	S		12/2022	Luo		

OTHER PUBLICATIONS

Icreator Magnet Watch Belt, available Dec. 2020, online, site visited Feb. 8, 2023. Available online, URL: <https://www.flipkart.com/icreator-magnet-watch-belt-iwatch-all-series-42-44-mm-44-metal-strap/p/itm3879b7d4a1c68> (Year: 2020).*

Apple Watch Metal Magnetic Suction Stainless Steel, available Feb. 8, 2022, online, site visited Feb. 8, 2022. Available online, URL: <https://www.ebay.com/itm/334659023623> (Year: 2022).*

* cited by examiner

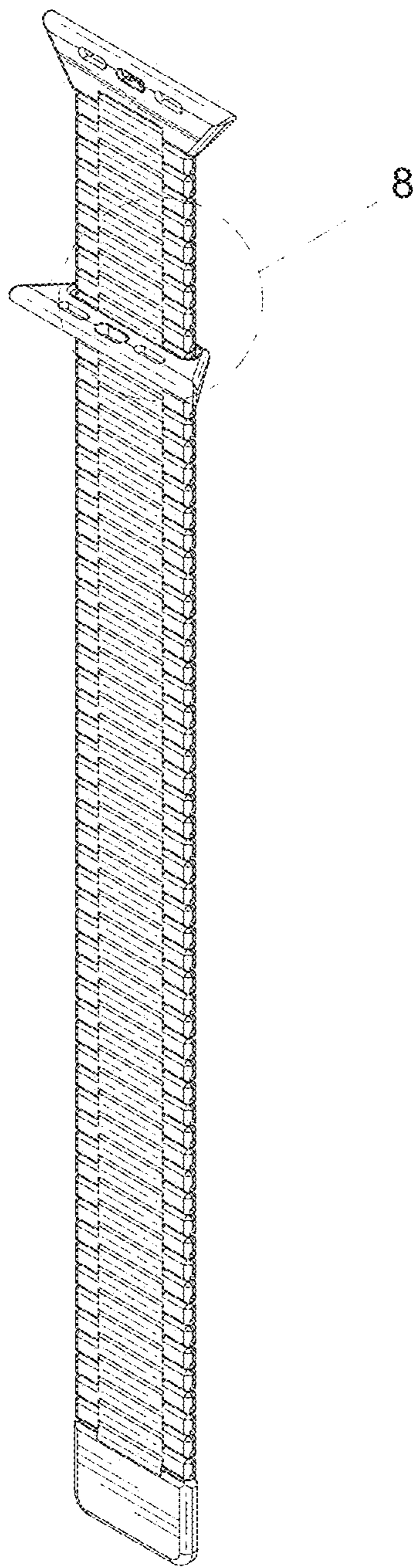


FIG. 1

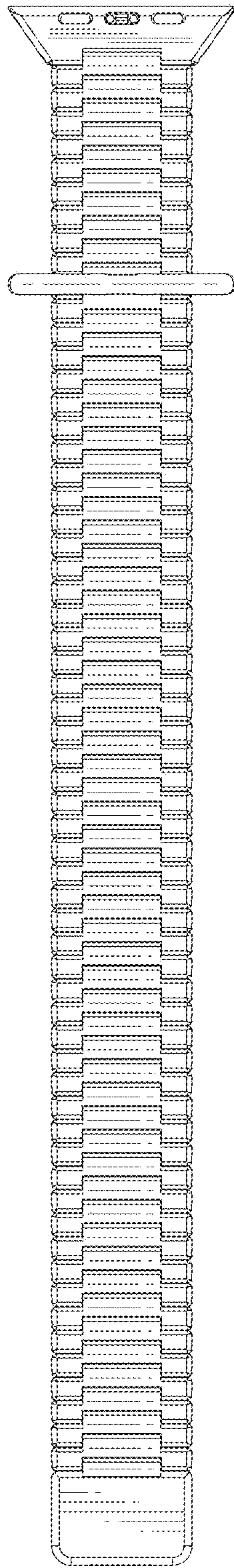


FIG. 2

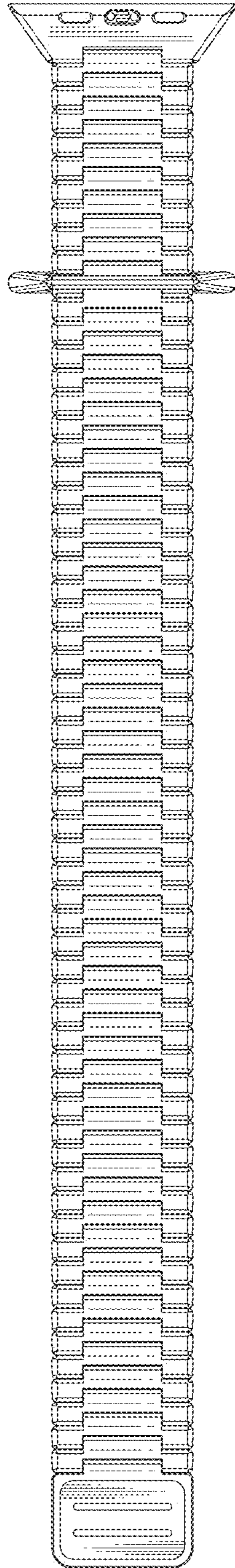


FIG. 3



FIG. 4

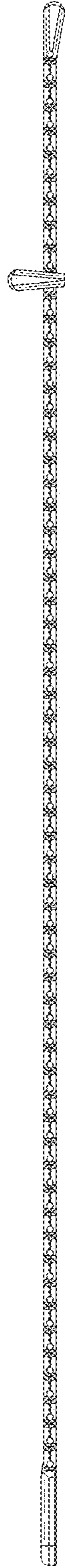


FIG. 5

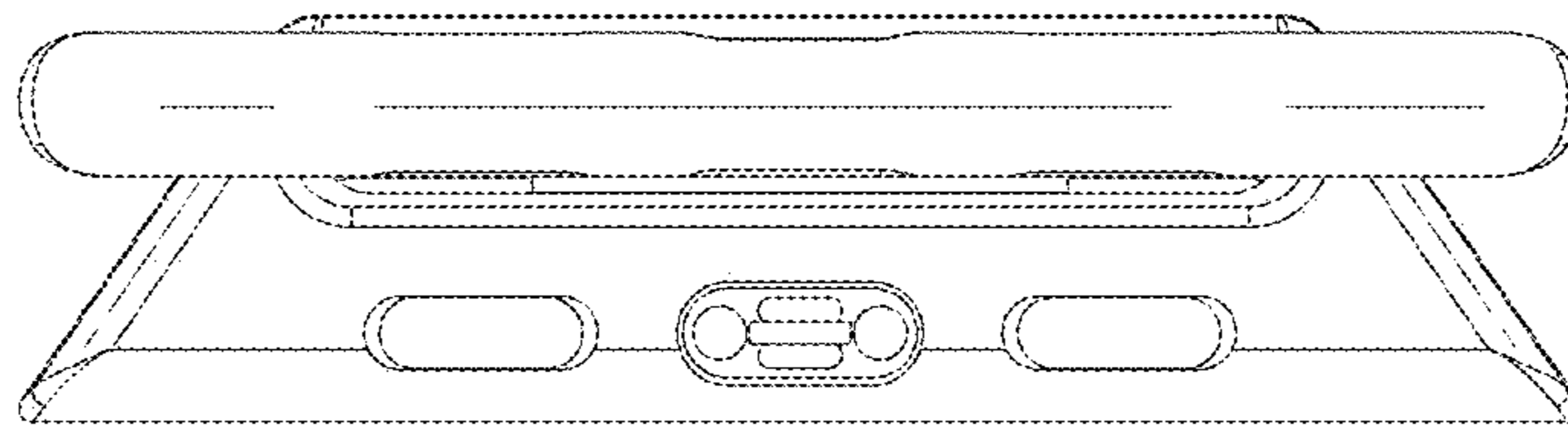


FIG. 6

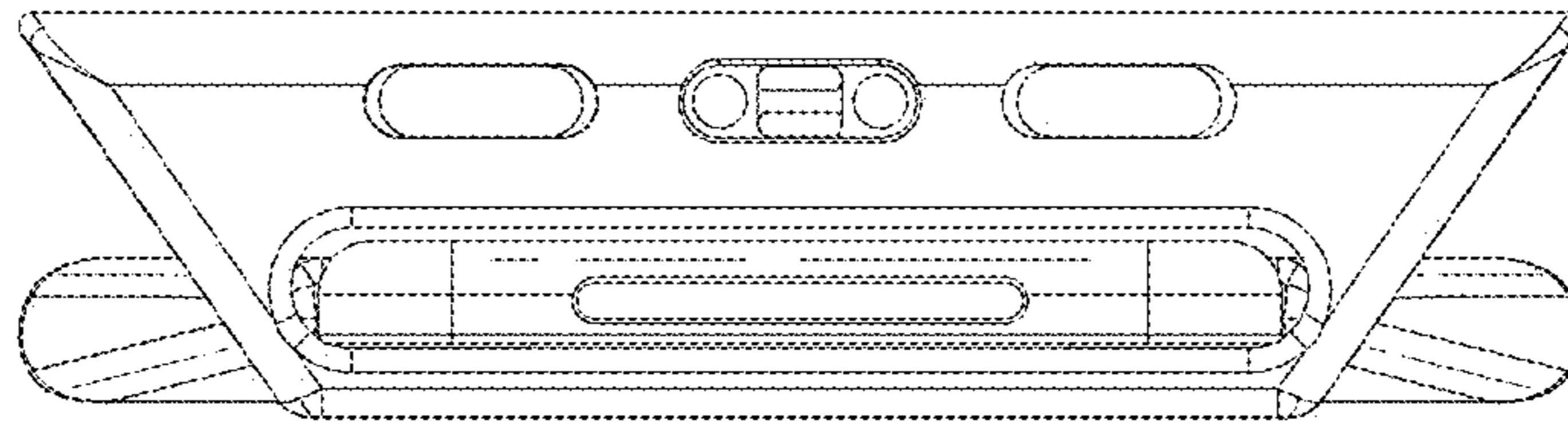


FIG. 7

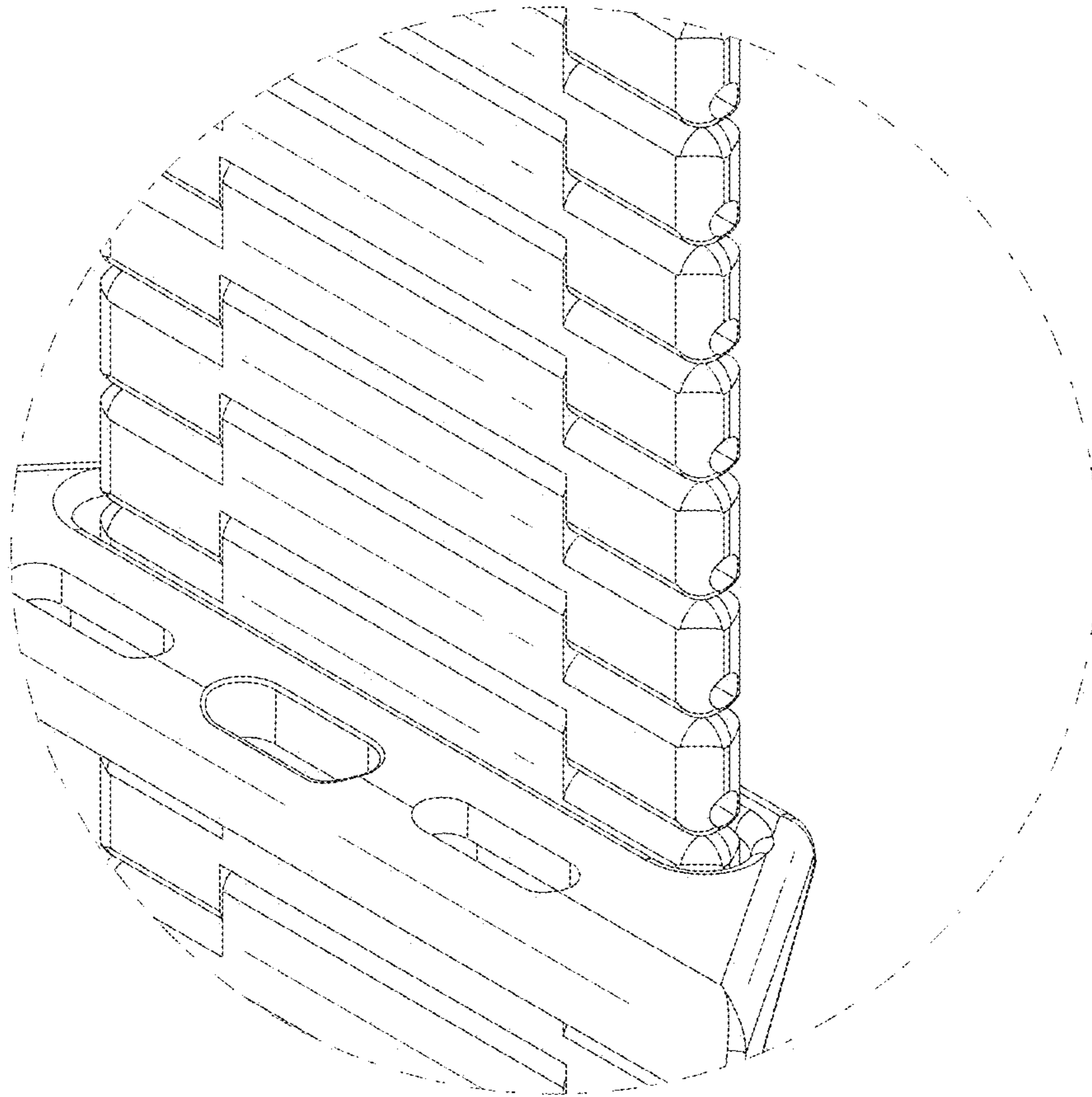


FIG. 8

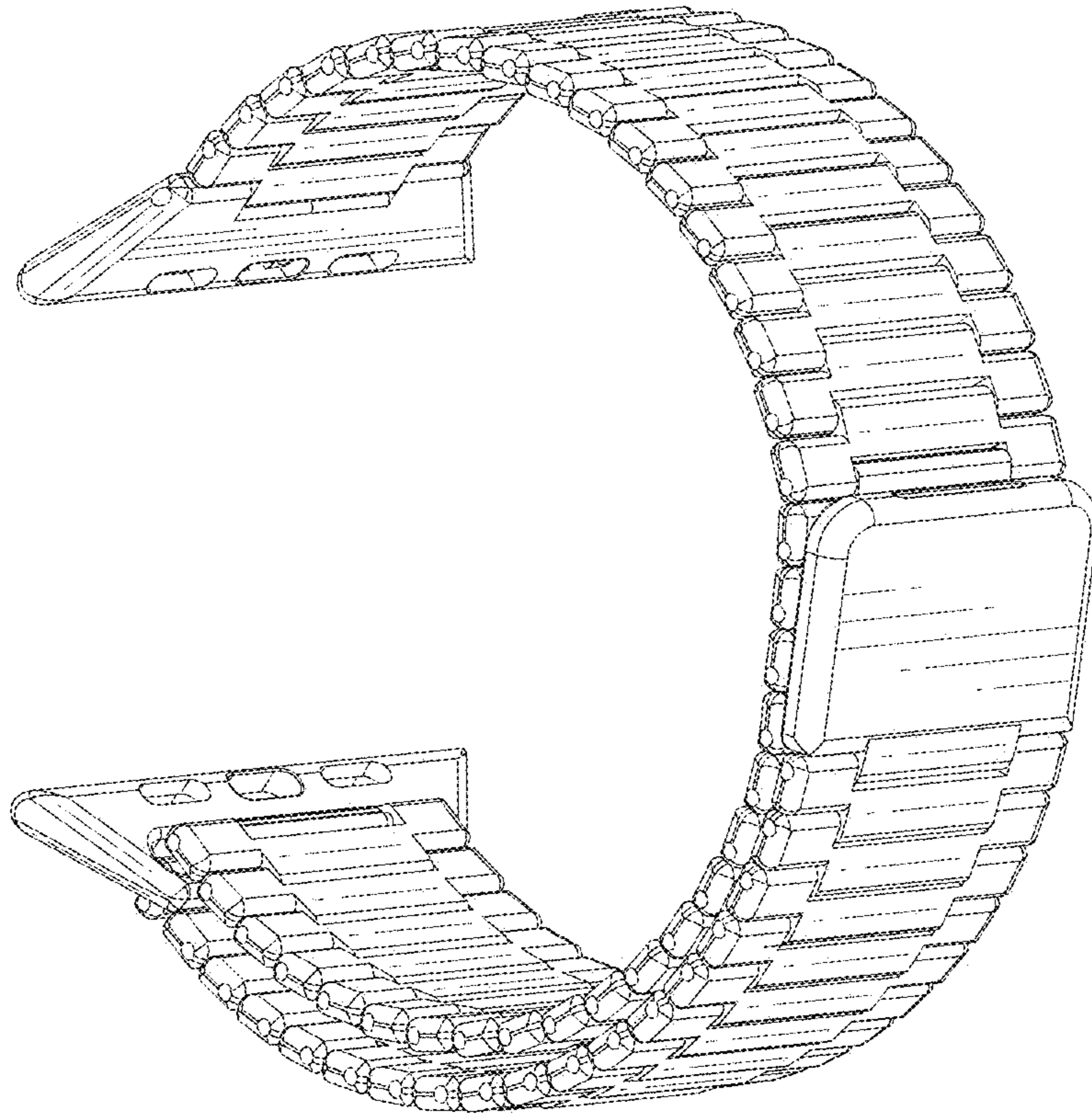


FIG. 9