



US00D988167S

(12) **United States Design Patent** (10) **Patent No.:** **US D988,167 S**
Eden et al. (45) **Date of Patent:** **** Jun. 6, 2023**

(54) **SECURITY TAG HOLDER**

(71) Applicants: **Keith C. Eden**, Rockford, IL (US);
Gregory A. Mackey, II, Painesville,
OH (US); **Shane Obitts**, North
Ridgeville, OH (US)

(72) Inventors: **Keith C. Eden**, Rockford, IL (US);
Gregory A. Mackey, II, Painesville,
OH (US); **Shane Obitts**, North
Ridgeville, OH (US)

(73) Assignee: **Fasteners for Retail, Inc.**, Twinsburg,
OH (US)

(**) Term: **15 Years**

(21) Appl. No.: **29/830,816**

(22) Filed: **Mar. 15, 2022**

Related U.S. Application Data

(62) Division of application No. 29/731,655, filed on Apr.
16, 2020, now Pat. No. Des. 956,607.

(51) **LOC (14) Cl.** **10-06**

(52) **U.S. Cl.**
USPC **D10/121**

(58) **Field of Classification Search**
USPC D10/32, 38, 39, 46, 49, 60, 70, 103,
D10/104.1, 106.1, 106.9, 106.91–106.94,
(Continued)

(56) **References Cited**

U.S. PATENT DOCUMENTS

D229,085 S * 11/1973 Lutenegeger D10/38
D258,120 S * 2/1981 Muramatsu D10/39
(Continued)

OTHER PUBLICATIONS

U.S. Appl. No. 29/731,655, filed Apr. 16, 2020.

Primary Examiner — George D. Kirschbaum

Assistant Examiner — Lillian Windham

(74) *Attorney, Agent, or Firm* — Reinhart Boerner Van
Deuren P.C.

(57) **CLAIM**

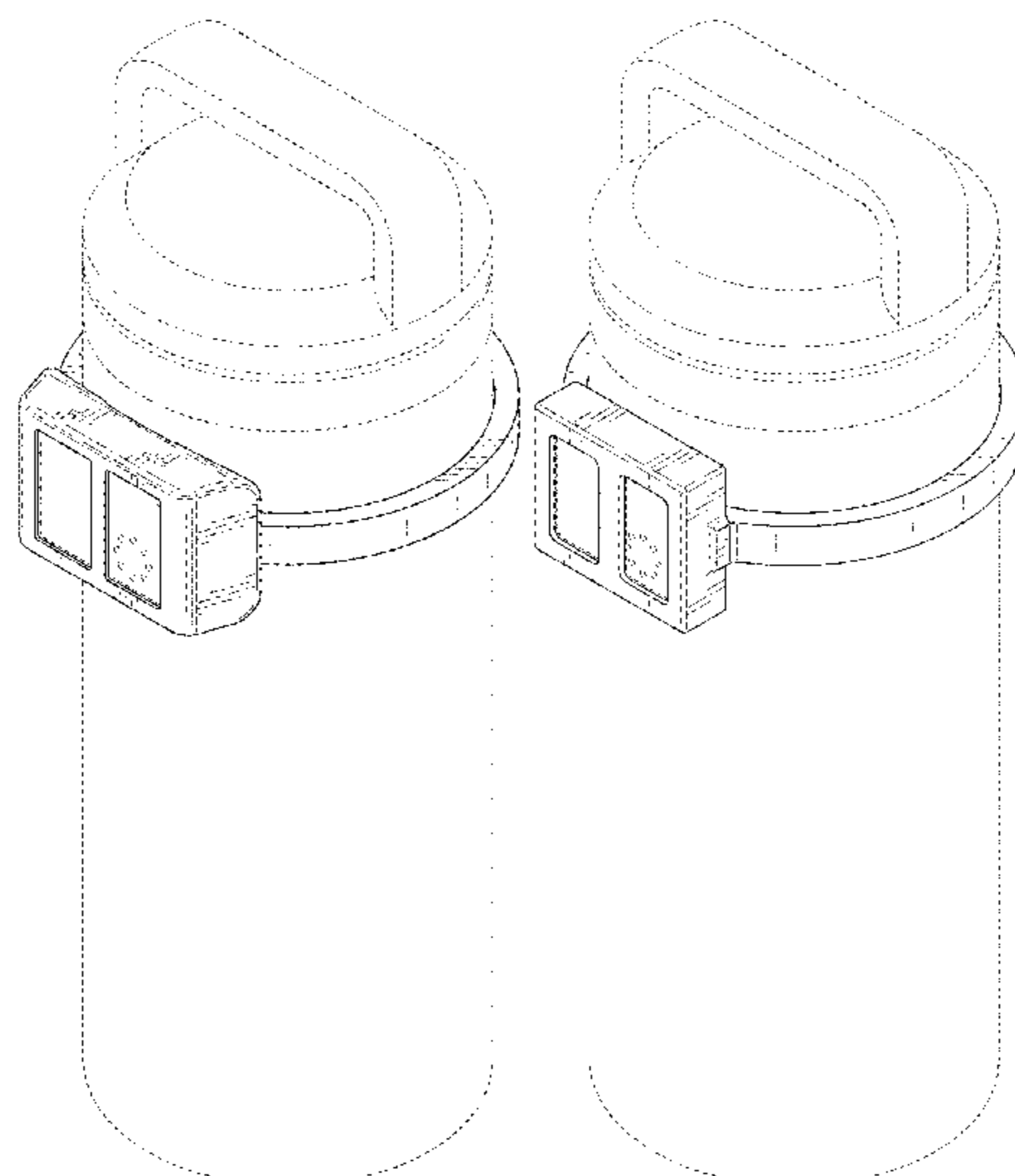
We claim the ornamental design for the security tag holder,
as shown and described.

DESCRIPTION

FIG. 1 is a perspective illustration of a first embodiment of
a security tag holder;
FIG. 2 is a rear perspective illustration of the security tag
holder of FIG. 1;
FIG. 3 is a front view of the security tag holder of FIG. 1;
FIG. 4 is a rear view of the security tag holder of FIG. 1;
FIG. 5 is a first side view of the security tag holder of FIG.
1;
FIG. 6 is a second side view, opposite the first side view, of
the security tag holder of FIG. 1;
FIG. 7 is a top view of the security tag holder of FIG. 1;
FIG. 8 is a bottom view of the security tag holder of FIG. 1;
FIG. 9 is a perspective illustration of a second embodiment
of a security tag holder;
FIG. 10 is a rear perspective illustration of the security tag
holder of FIG. 9;
FIG. 11 is a front view of the security tag holder of FIG. 9;
FIG. 12 is a rear view of the security tag holder of FIG. 9;
FIG. 13 is a first side view of the security tag holder of FIG.
9;
FIG. 14 is a second side view, opposite the first side view,
of the security tag holder of FIG. 9;
FIG. 15 is a top view of the security tag holder of FIG. 9;
and,
FIG. 16 is a bottom view of the security tag holder of FIG.
9.

The broken lines form no part of the claimed design.

1 Claim, 12 Drawing Sheets



(58) **Field of Classification Search**
 USPC D10/104.2, 121, 125, 128; D8/333, 368,
 D8/396; D13/123
 CPC ... G06K 19/0723; G08B 13/02; B65D 55/028
 See application file for complete search history.

(56) **References Cited**

U.S. PATENT DOCUMENTS

D288,788 S * 3/1987 Richard D10/70
 4,649,552 A * 3/1987 Yukawa G01C 22/006
 D10/70
 D314,346 S * 2/1991 Mann D10/46
 5,097,705 A * 3/1992 Porter B63C 11/02
 73/431
 5,119,677 A * 6/1992 Porter G01D 11/24
 73/431
 D337,067 S * 7/1993 Patterson D10/106.1
 D342,035 S * 12/1993 Glucroft D10/103
 D347,584 S * 6/1994 Vogelpohl D10/49
 D351,563 S * 10/1994 DellaVilla D10/121
 5,417,319 A * 5/1995 Chalberg E05B 73/0023
 292/307 R
 D391,508 S * 3/1998 Lucas D10/104.1
 D419,899 S * 2/2000 Levar D10/104.1
 D421,927 S * 3/2000 Binder D10/103
 D422,487 S * 4/2000 Khokhar D8/396
 D427,104 S * 6/2000 Cooper D10/128
 D445,682 S 7/2001 Michael et al.
 D446,118 S 8/2001 Michael et al.
 6,326,890 B1 * 12/2001 Costa E05B 73/0041
 340/568.1
 D459,206 S * 6/2002 Caveney D8/396
 6,604,643 B1 8/2003 Michael et al.
 6,769,557 B2 8/2004 Michael et al.
 6,912,878 B2 7/2005 Belden, Jr.
 7,004,340 B2 2/2006 Belden, Jr.
 7,007,523 B2 3/2006 Belden, Jr.
 D520,393 S * 5/2006 Darby D10/104.1
 D525,198 S * 7/2006 Ikeda D13/123
 D528,020 S * 9/2006 Brown D10/46
 7,100,783 B2 9/2006 Belden, Jr.
 7,100,784 B2 9/2006 Belden, Jr.
 D534,822 S * 1/2007 Wadda D10/104.1
 D535,205 S * 1/2007 Frederick D10/104.1
 D536,627 S * 2/2007 Behling D10/38
 7,259,967 B2 8/2007 Ni
 7,321,308 B1 * 1/2008 Feibelman G08B 13/2445
 340/571
 D565,973 S * 4/2008 Huang D10/46
 7,350,652 B2 4/2008 Belden, Jr.
 7,350,653 B2 4/2008 Belden, Jr.
 7,350,654 B2 4/2008 Belden, Jr.
 7,350,655 B2 4/2008 Belden, Jr.
 D573,903 S * 7/2008 Gatz D10/46

7,397,375 B2 7/2008 Marsilio et al.
 D578,906 S * 10/2008 Gatz D10/46
 D579,788 S * 11/2008 Brady D10/32
 7,463,152 B2 12/2008 Marsilio et al.
 D584,172 S * 1/2009 Soltani D10/39
 7,486,190 B2 2/2009 Marsilio et al.
 7,492,263 B2 2/2009 Marsilio et al.
 7,492,264 B2 2/2009 Marsilio et al.
 7,492,265 B2 2/2009 Marsilio et al.
 7,498,944 B2 3/2009 Marsilio et al.
 7,498,945 B2 3/2009 Marsilio et al.
 7,543,466 B2 6/2009 Loughlin et al.
 7,552,048 B2 6/2009 Xu et al.
 7,602,297 B2 10/2009 Marsilio et al.
 D607,347 S * 1/2010 Goh D10/46
 7,650,768 B2 1/2010 Fawcett et al.
 7,984,629 B2 7/2011 Xiaobin
 8,274,391 B2 9/2012 Yang
 8,305,219 B2 11/2012 Yang
 8,528,372 B2 9/2013 Nilsson
 8,640,509 B2 2/2014 Will
 D707,823 S * 6/2014 Scherbing D24/163
 D708,534 S * 7/2014 Martin D10/104.1
 8,938,997 B2 1/2015 Piccoli et al.
 D730,225 S * 5/2015 Behar D10/103
 D733,601 S * 7/2015 Solow D10/121
 D736,657 S * 8/2015 Detering D10/46
 9,169,670 B2 10/2015 Shute et al.
 D751,558 S * 3/2016 Lee D10/103
 9,404,291 B1 8/2016 White et al.
 9,524,626 B2 12/2016 Bruhwiler et al.
 D807,877 S * 1/2018 Iwamatsu D14/344
 D813,659 S * 3/2018 Ostoyic D8/396
 D815,551 S * 4/2018 Taylor D10/104.1
 D838,854 S * 1/2019 Lumme D10/70
 D863,995 S * 10/2019 Ueda D10/103
 D867,188 S * 11/2019 Virhiä D10/103
 D896,117 S * 9/2020 Nagel D10/106.91
 D909,216 S * 2/2021 Vuletici D10/70
 D920,824 S * 6/2021 Matula D10/104.2
 11,087,601 B1 * 8/2021 Ewing G08B 21/182
 D946,569 S * 3/2022 Yang D10/70
 2004/0237267 A1 12/2004 Copen et al.
 2005/0093704 A1 * 5/2005 Feibelman E05B 73/0017
 340/572.9
 2010/0154265 A1 6/2010 Pouloukefalos
 2010/0253524 A1 * 10/2010 Kolton B65D 23/14
 340/572.9
 2012/0031980 A1 2/2012 Tiedmann
 2015/0287299 A1 10/2015 Eckert et al.
 2016/0356064 A1 * 12/2016 Ewing E05B 73/0029
 2021/0279539 A1 * 9/2021 Eden G06K 19/0723
 2021/0355715 A1 * 11/2021 Eden G08B 13/2434
 2022/0083137 A1 * 3/2022 Fountain G06K 7/10356
 2022/0149509 A1 * 5/2022 Kawasaki G06K 7/10346

* cited by examiner

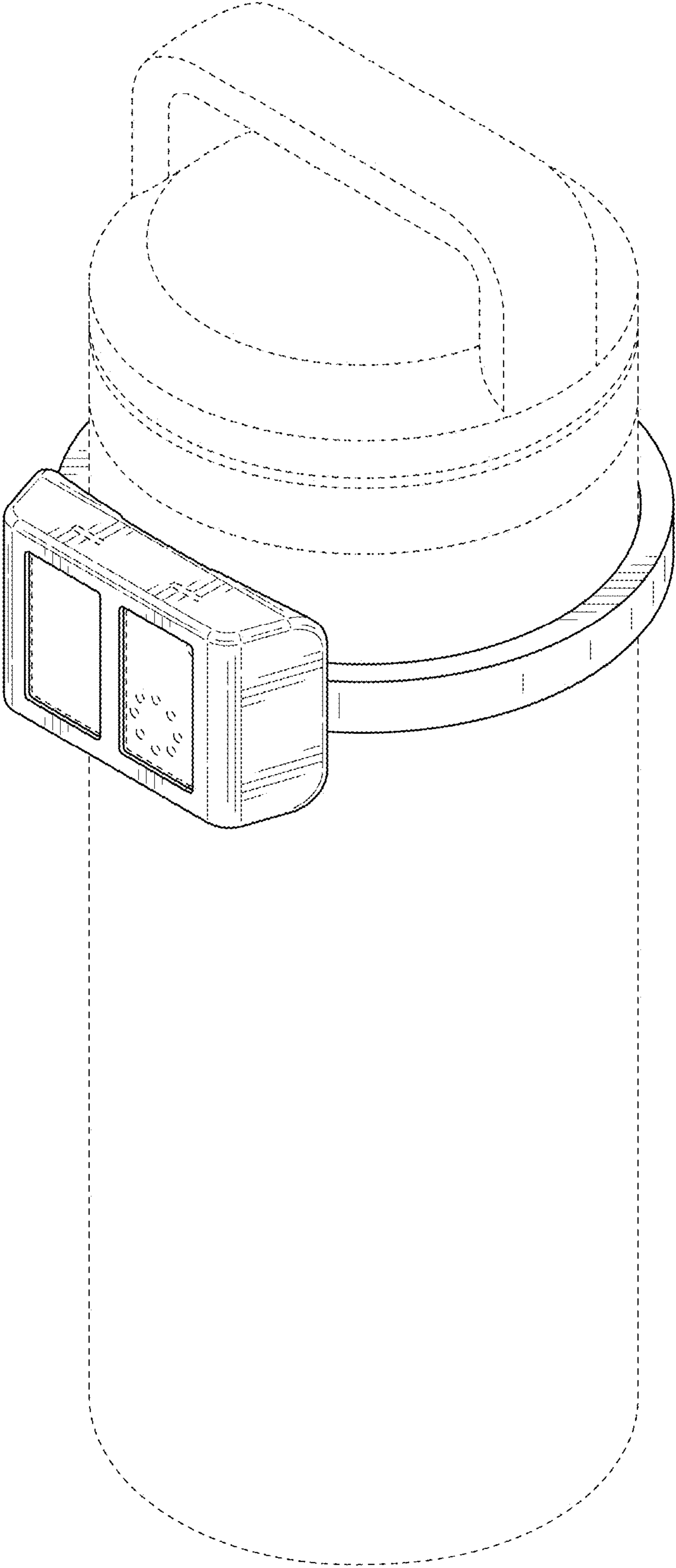


FIG. 1

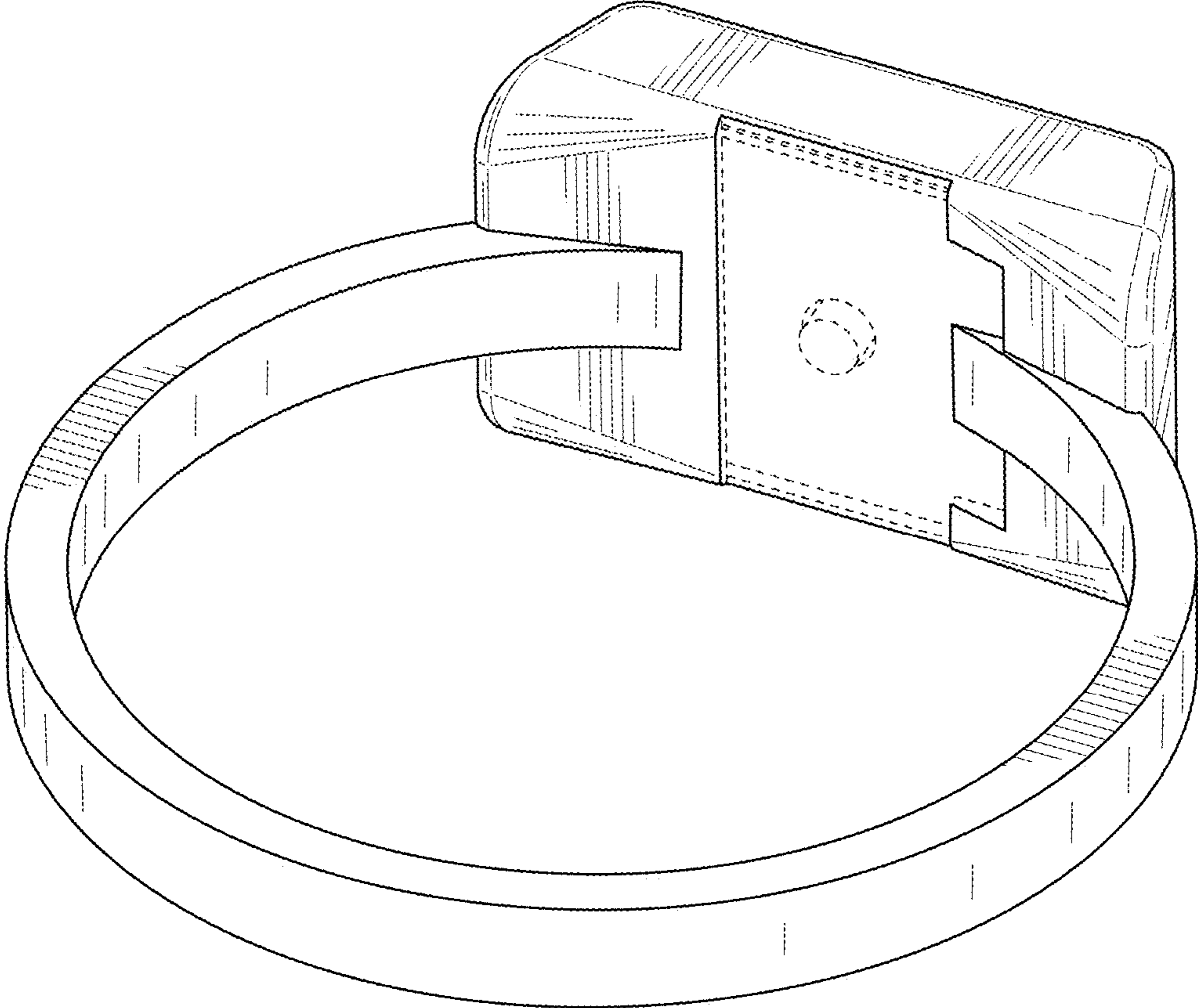


FIG. 2

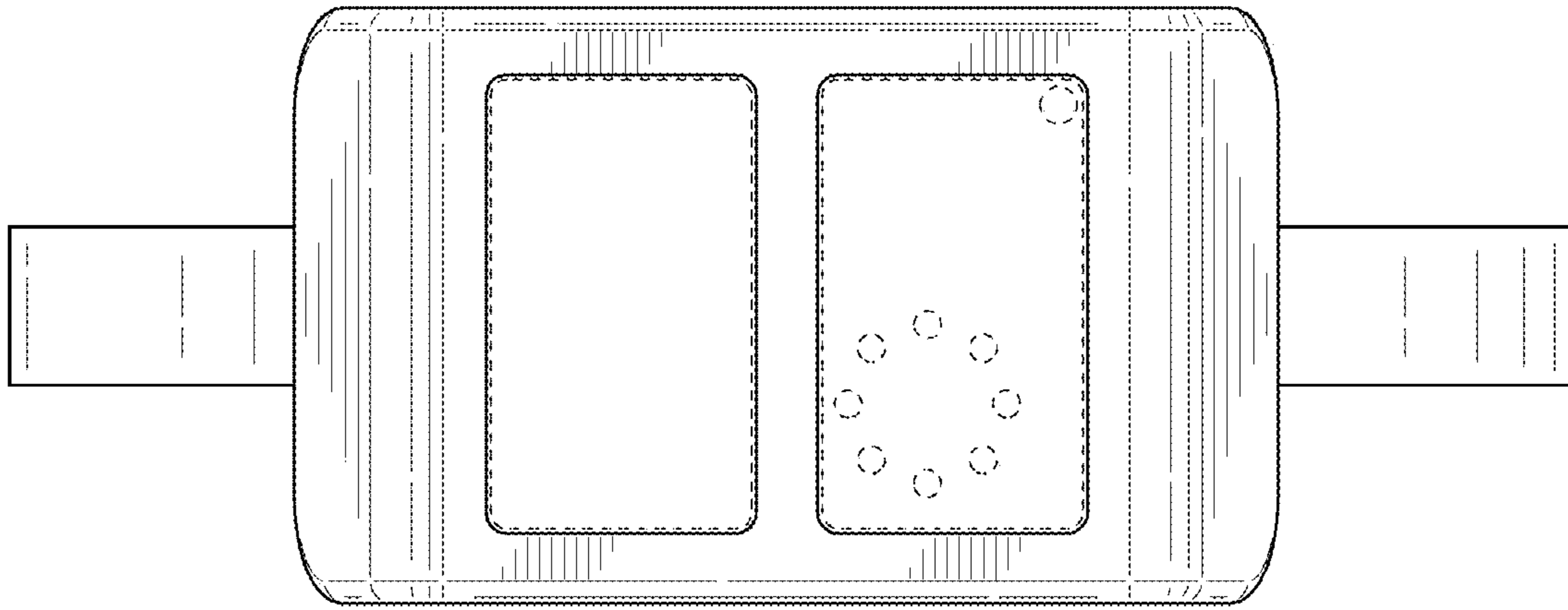


FIG. 3

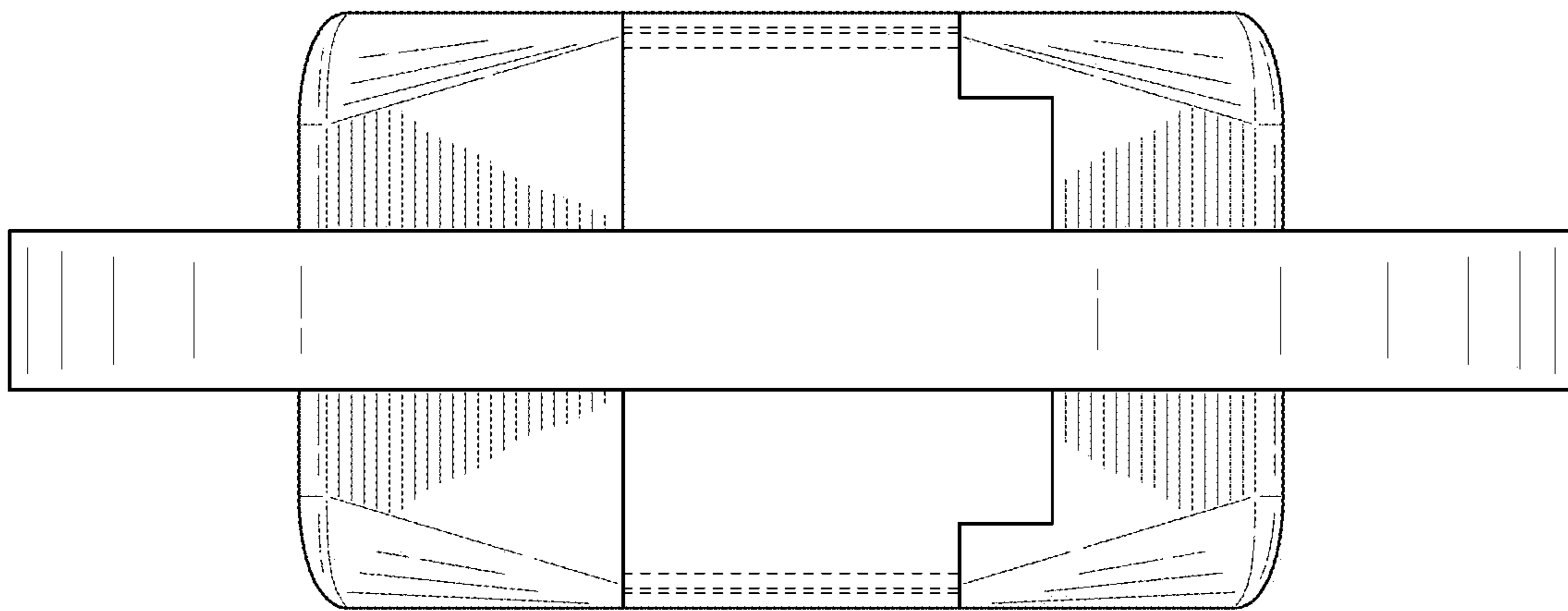


FIG. 4

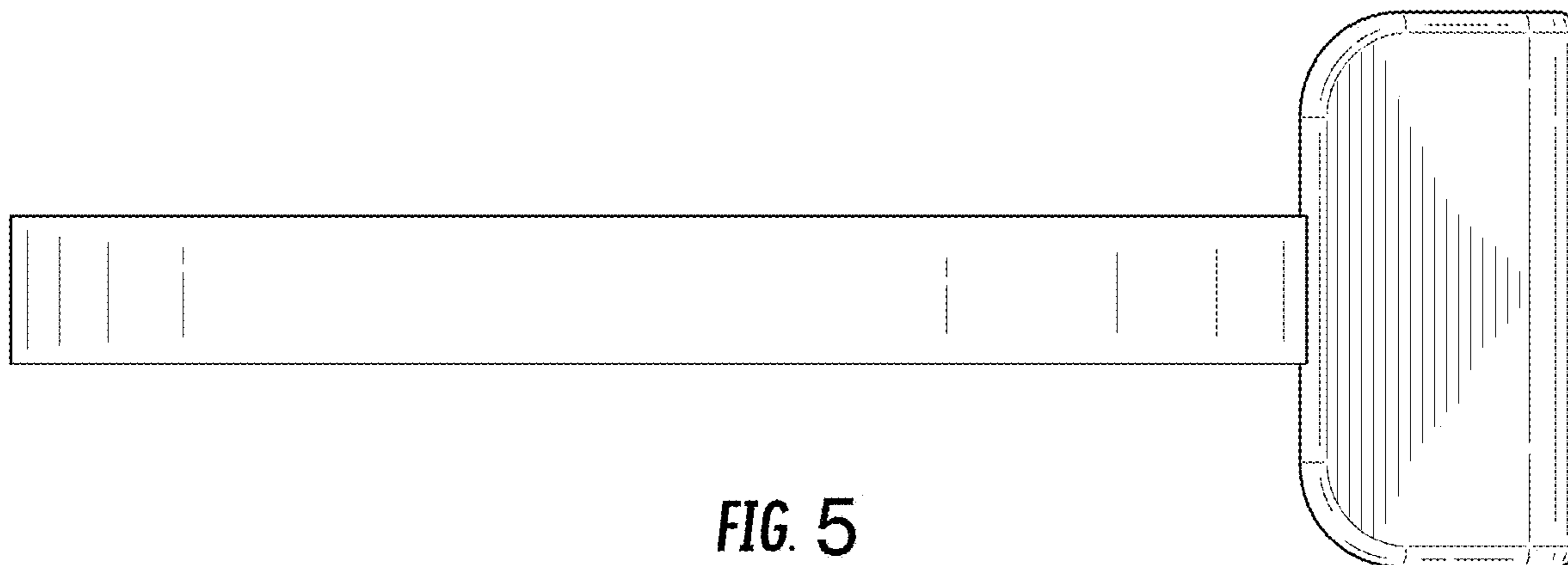


FIG. 5

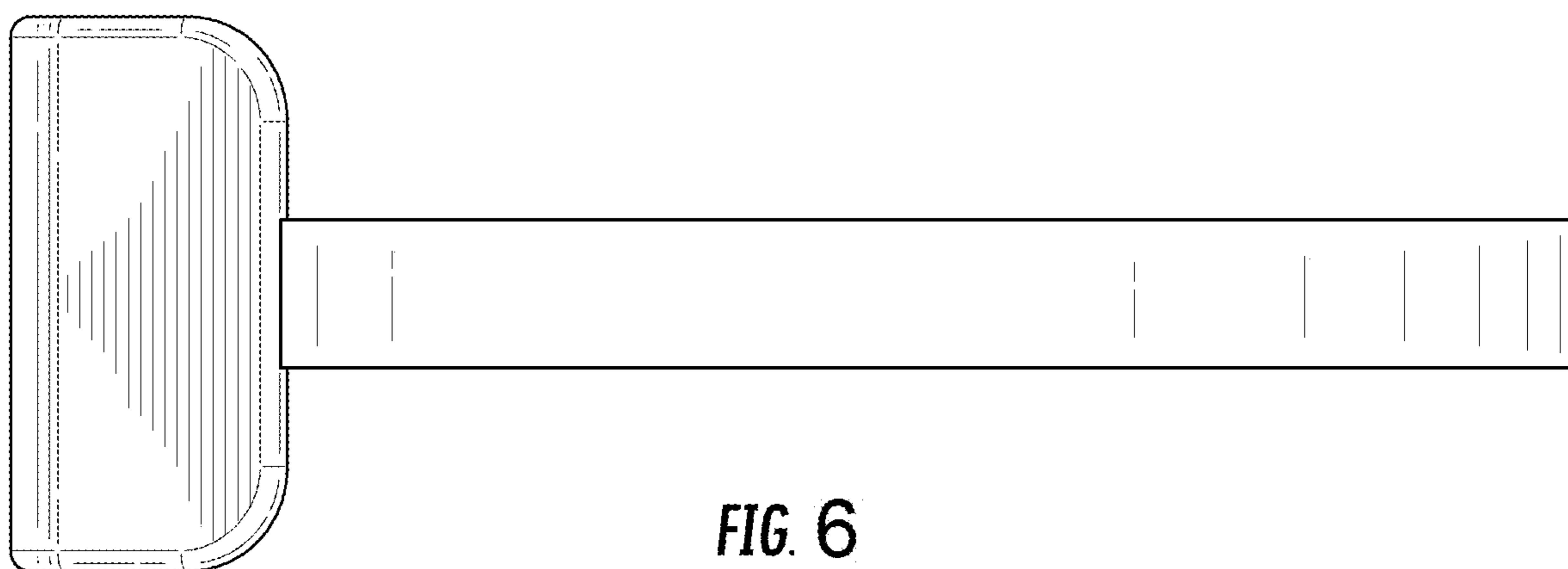


FIG. 6

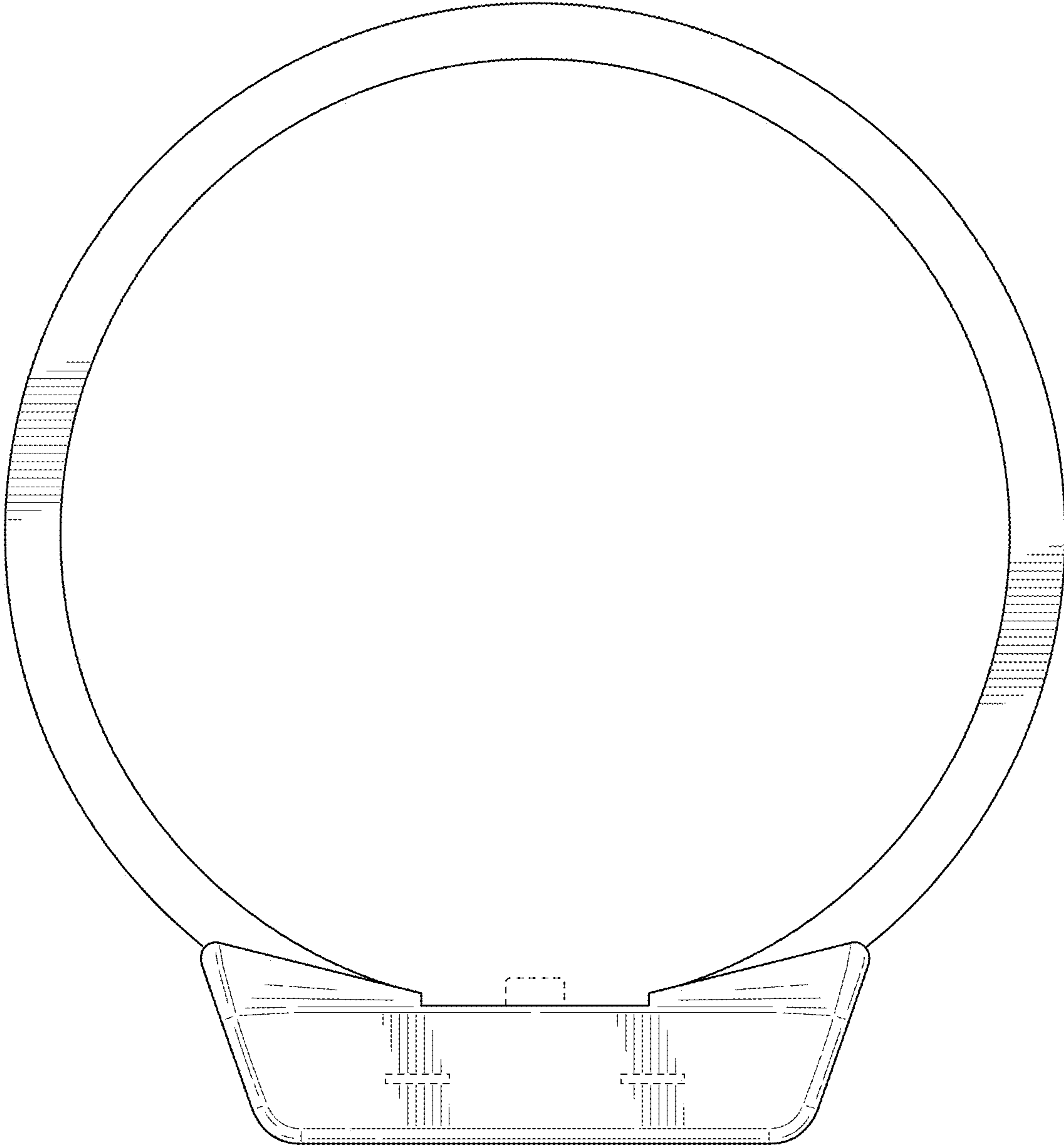


FIG. 7

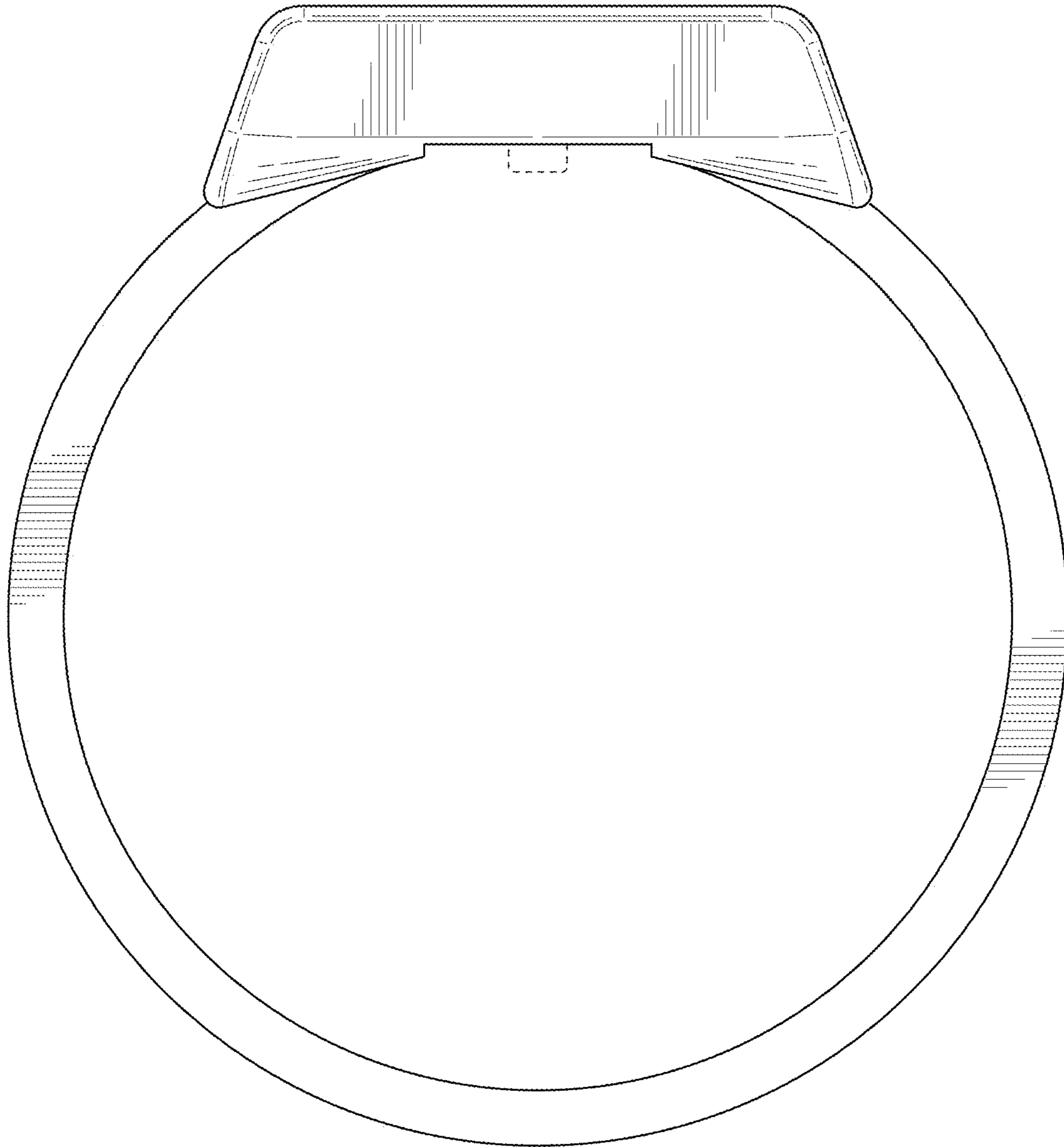


FIG. 8

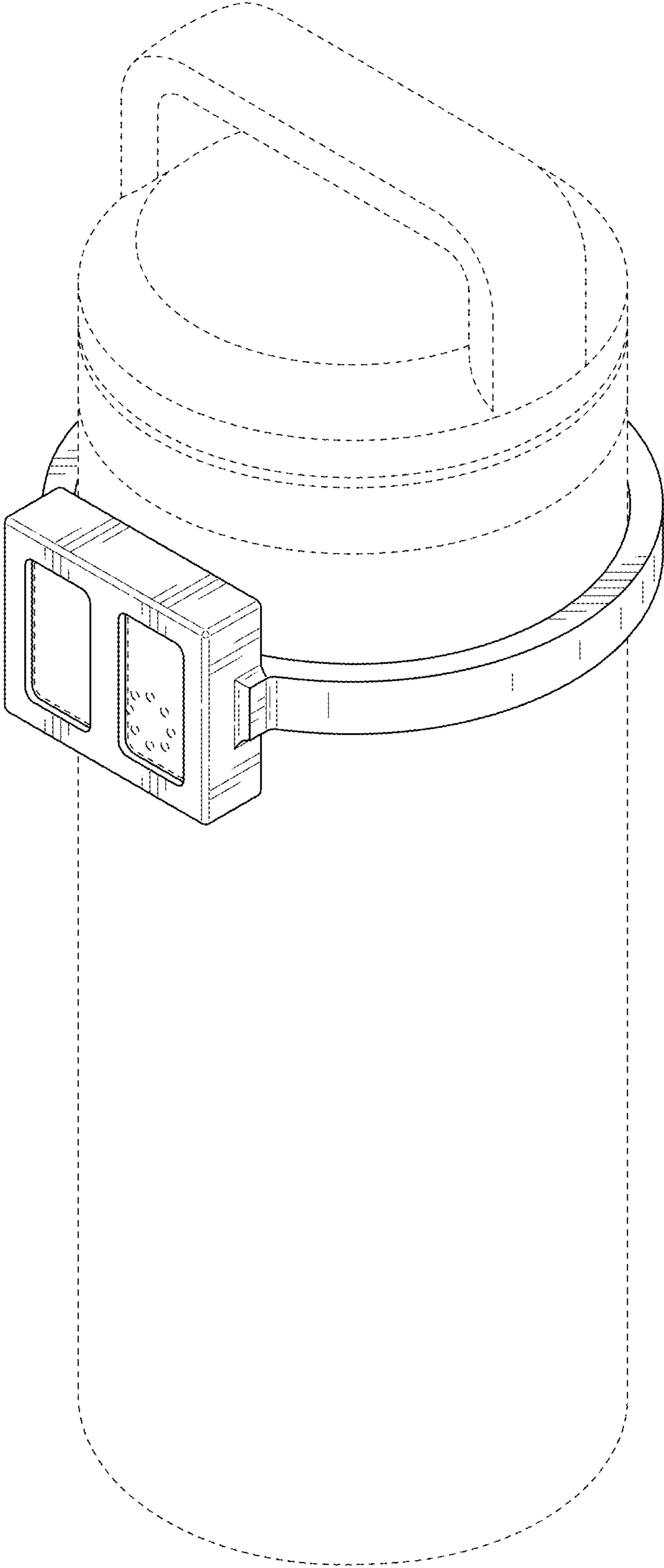


FIG. 9

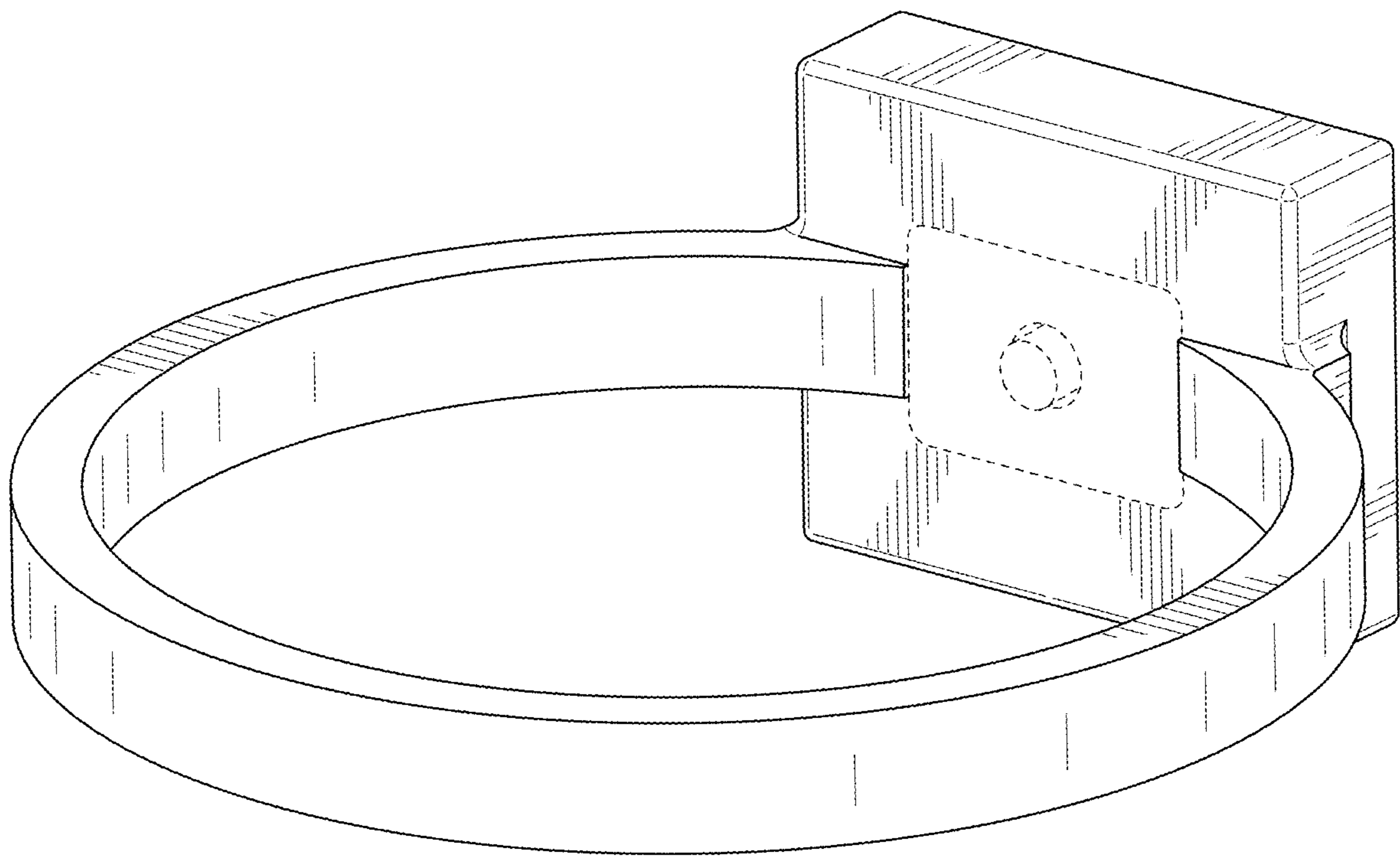


FIG. 10

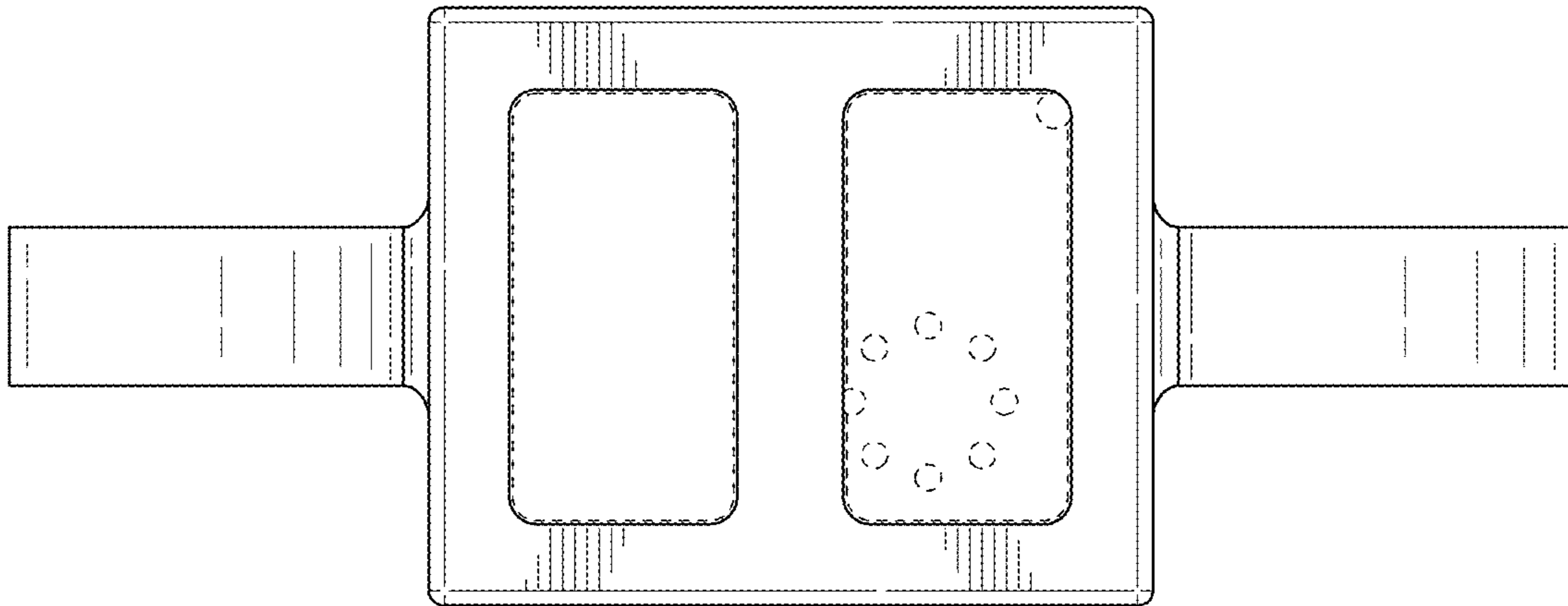


FIG. 11

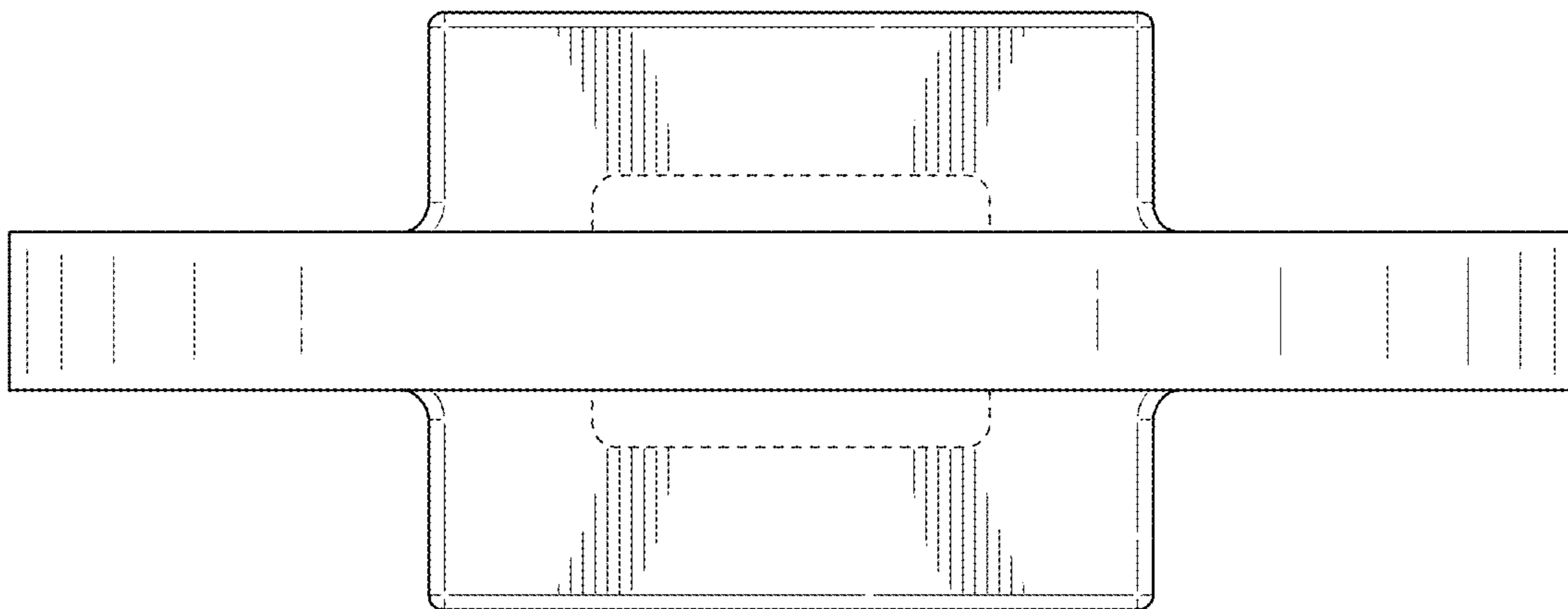


FIG. 12

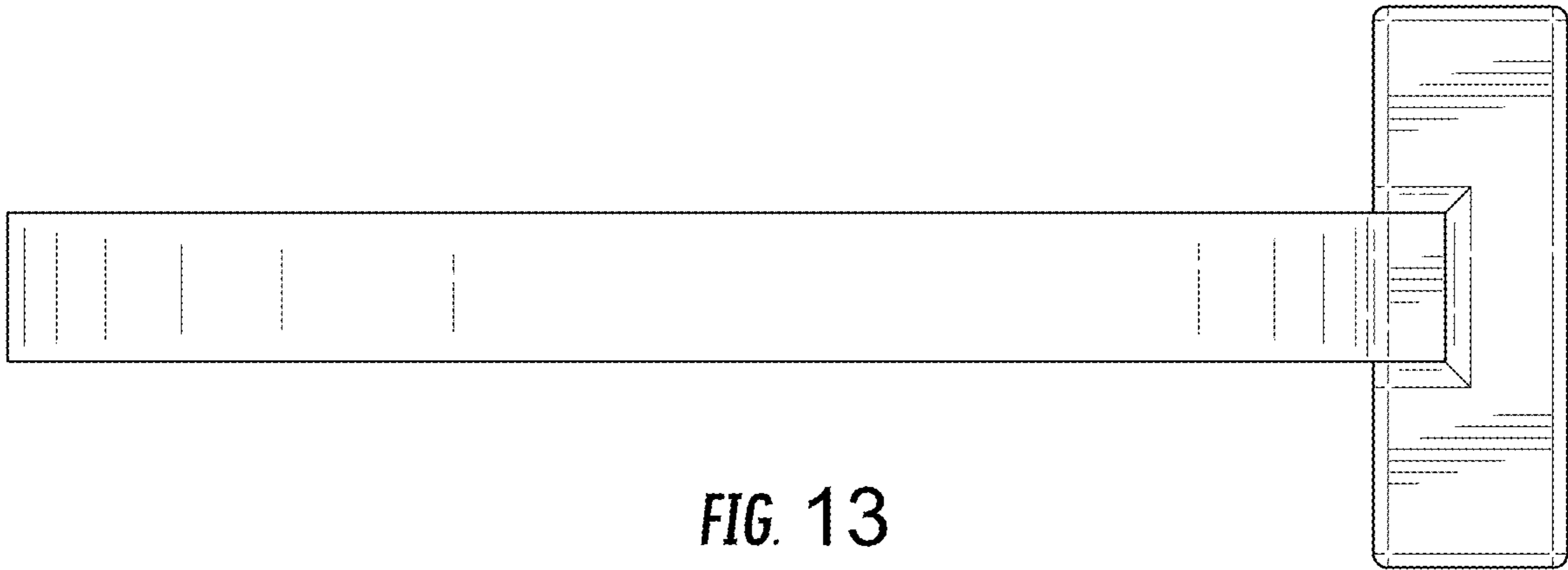


FIG. 13

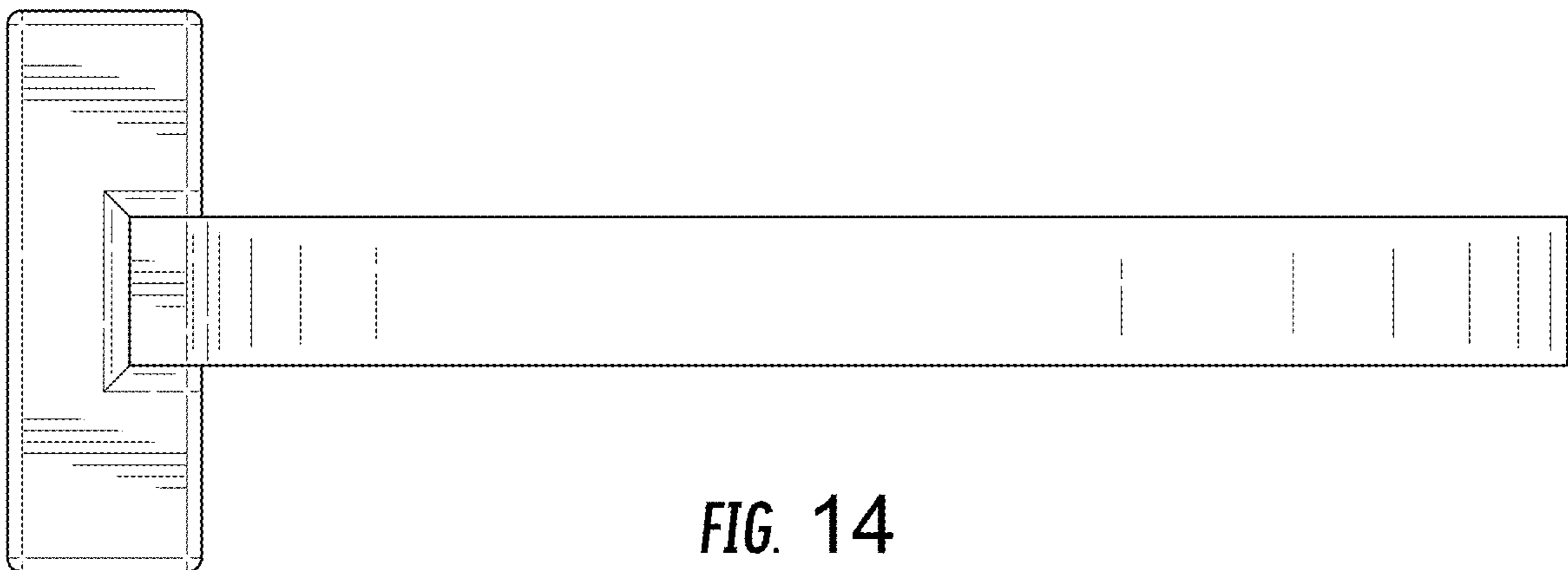


FIG. 14

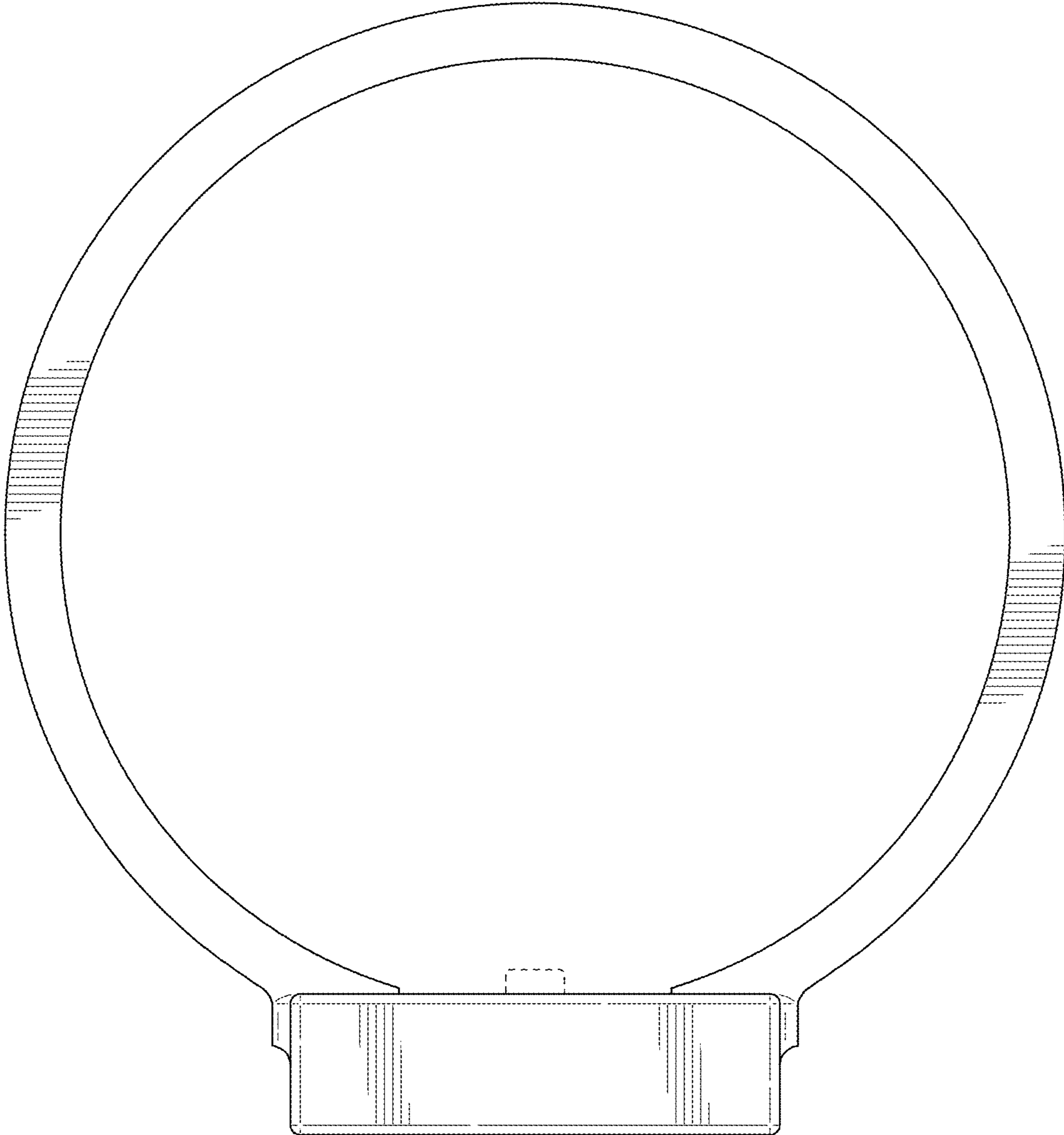


FIG. 15

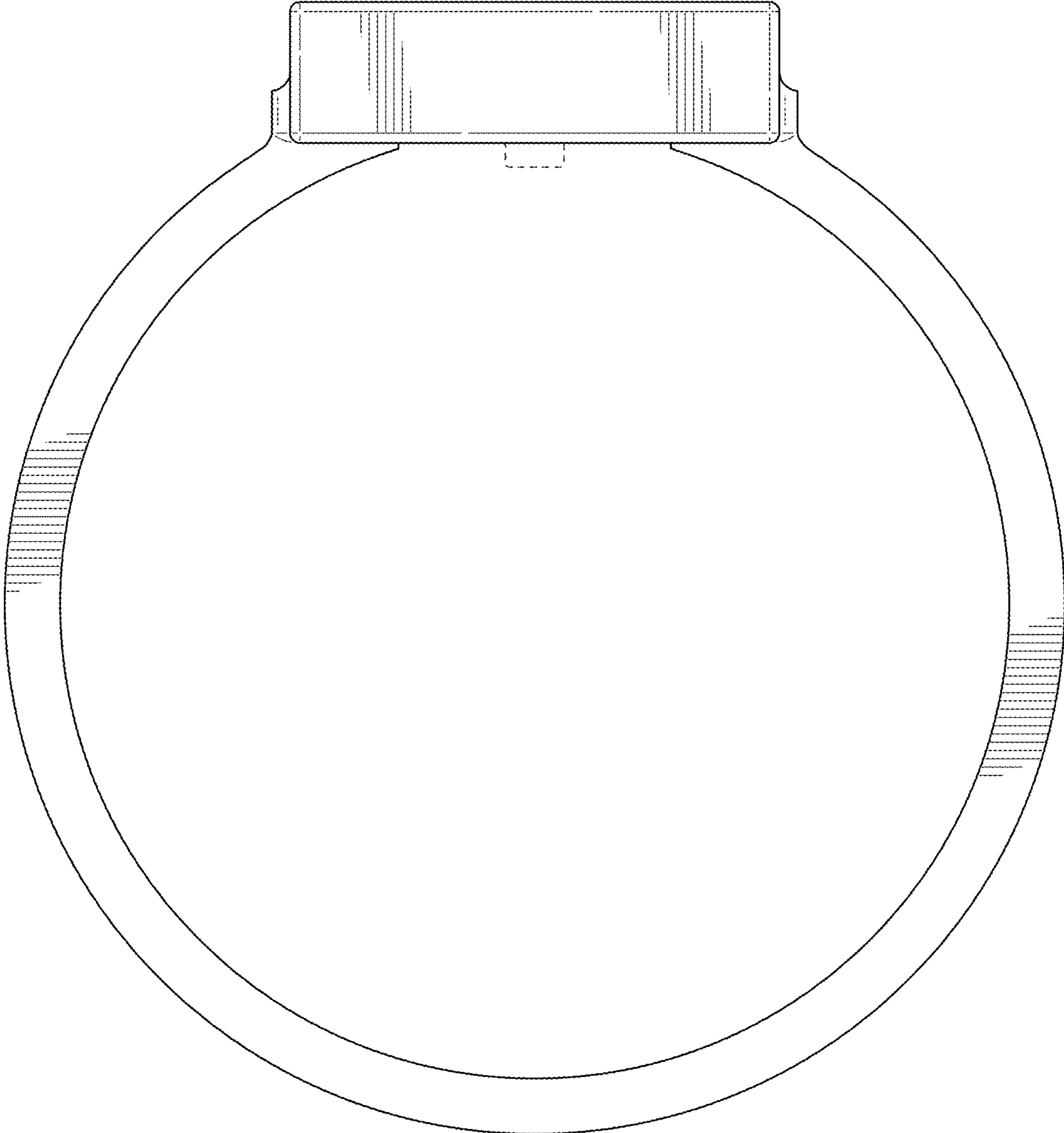


FIG. 16