



US00D988166S

(12) **United States Design Patent** (10) **Patent No.:** **US D988,166 S**
Koh (45) **Date of Patent:** **** Jun. 6, 2023**

(54) **ELECTRONIC TIMER WHISTLE**
(71) Applicant: **Augustin Jungmin Koh**, Atlanta, GA
(US)

(72) Inventor: **Augustin Jungmin Koh**, Atlanta, GA
(US)

(**) Term: **15 Years**

(21) Appl. No.: **29/762,805**

(22) Filed: **Dec. 18, 2020**

(30) **Foreign Application Priority Data**

Nov. 3, 2020 (KR) 30-2020-0052798

(51) **LOC (14) Cl.** **10-06**

(52) **U.S. Cl.**
USPC **D10/119.3**

(58) **Field of Classification Search**
USPC D10/104.2, 106.1, 116.1, 118,
D10/119.1-119.4, 120-121; D21/405;
D26/51, 113
CPC G10K 5/00
See application file for complete search history.

(56) **References Cited**

U.S. PATENT DOCUMENTS

- D486,807 S * 2/2004 Takayama G09F 11/18
D14/137
- D491,911 S * 6/2004 Jung H05B 45/38
D14/203.3
- D526,331 S * 8/2006 Lee D14/203.7
- D577,715 S * 9/2008 Lim D14/240
- D592,227 S * 5/2009 Oh D14/496
- D597,068 S * 7/2009 Whang D14/203.7
- D656,924 S * 4/2012 Mehlsen D14/226
- D725,098 S * 3/2015 Neumann D10/78

- D816,876 S * 5/2018 Bao D26/37
- D829,212 S * 9/2018 Bidwell D14/426
- D917,115 S * 4/2021 Tang D10/104.1
- D924,090 S * 7/2021 Xu D10/116.1
- 2020/0089279 A1* 3/2020 Liao G09F 11/18

FOREIGN PATENT DOCUMENTS

- CN 202130216382.2 * 7/2021
- CN 202230012306.4 * 4/2022
- GB 1021347 * 3/1985
- KR 3020200052798 * 2/2021

OTHER PUBLICATIONS

Fox 40 Electronic Whistle, published on (Mar. 1, 2022) on amazon.com, retrieved from internet (Nov. 8, 2022). <URL: www.amazon.com/Fox-40-Electronic-Rechargeable-Resistant/dp/B09TPYJCZR/ref=sr_1_6> (Year: 2022).*

* cited by examiner

Primary Examiner — Joseph Kukella
Assistant Examiner — Heather Ann Laaveg Wencil
(74) *Attorney, Agent, or Firm* — Lex IP Meister, PLLC

(57) **CLAIM**

The ornamental design for an electronic timer whistle, as shown and described.

DESCRIPTION

FIG. 1 is a perspective view of the electronic timer whistle showing my design;
FIG. 2 is a front elevation view thereof;
FIG. 3 is a back elevation view thereof;
FIG. 4 is a left side elevation view thereof;
FIG. 5 is a right side elevation view thereof;
FIG. 6 is a top plan view thereof; and,
FIG. 7 is a bottom plan view thereof.

1 Claim, 7 Drawing Sheets

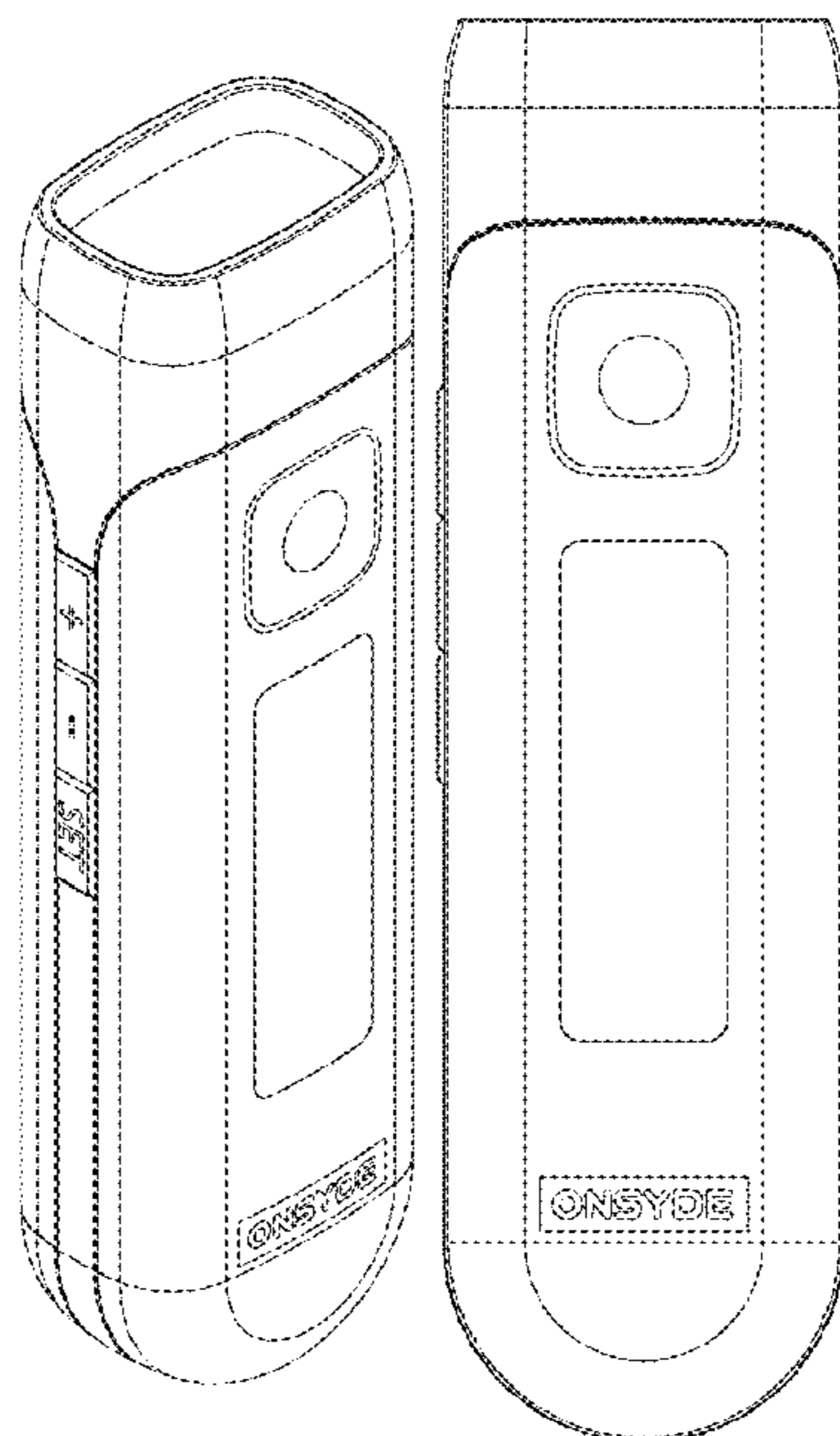


FIG. 1

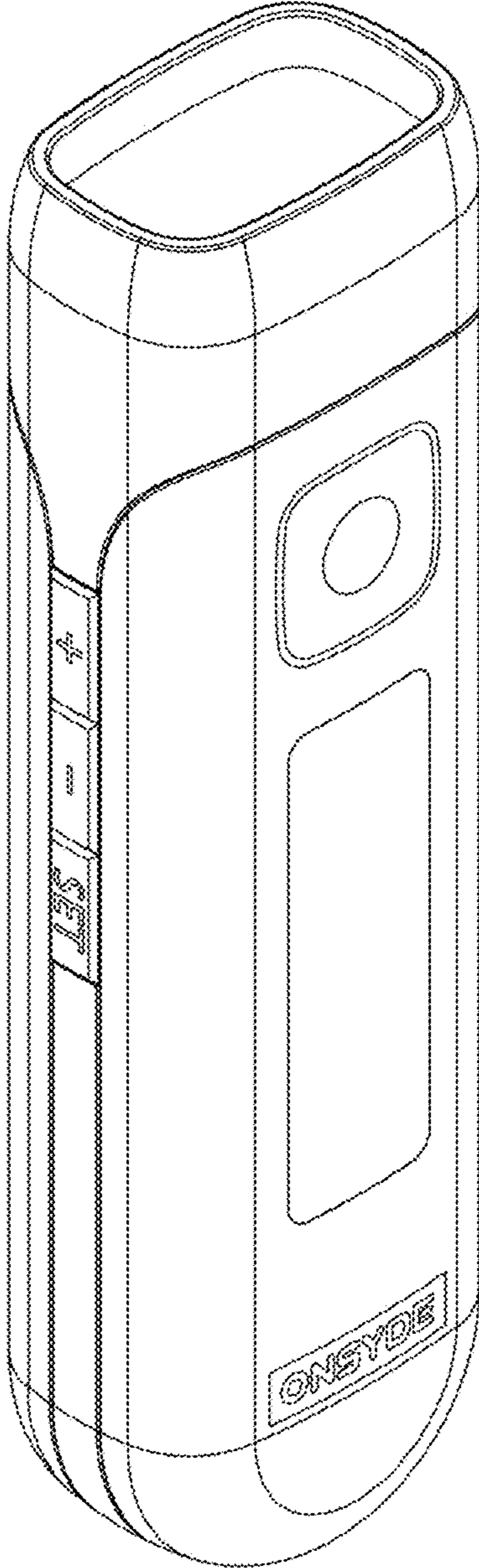


FIG. 2

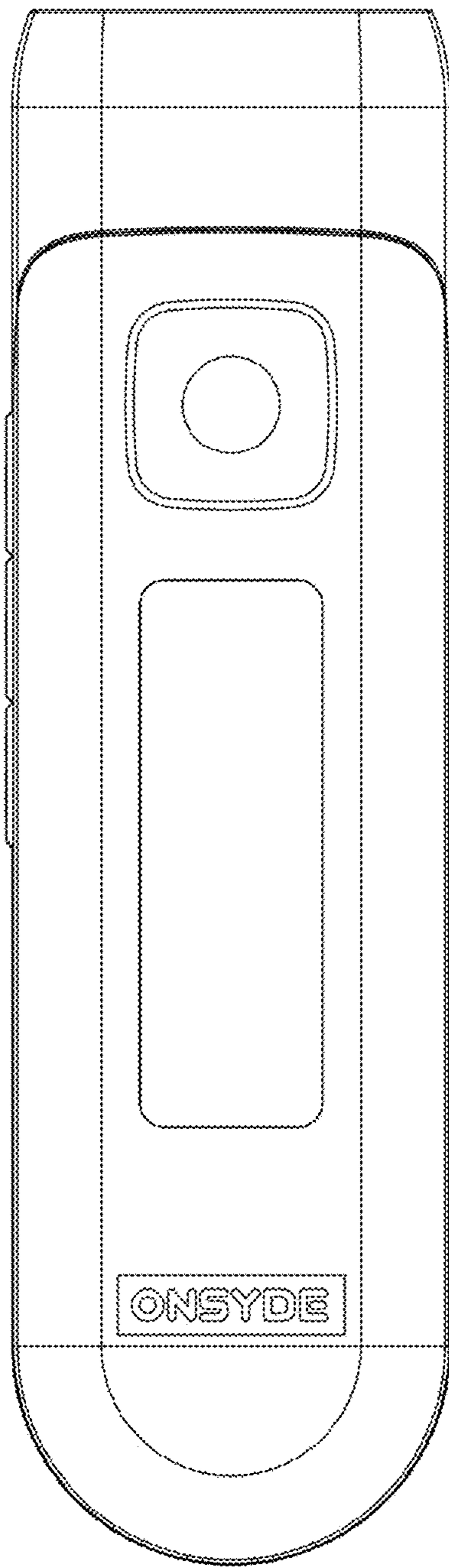


FIG. 3

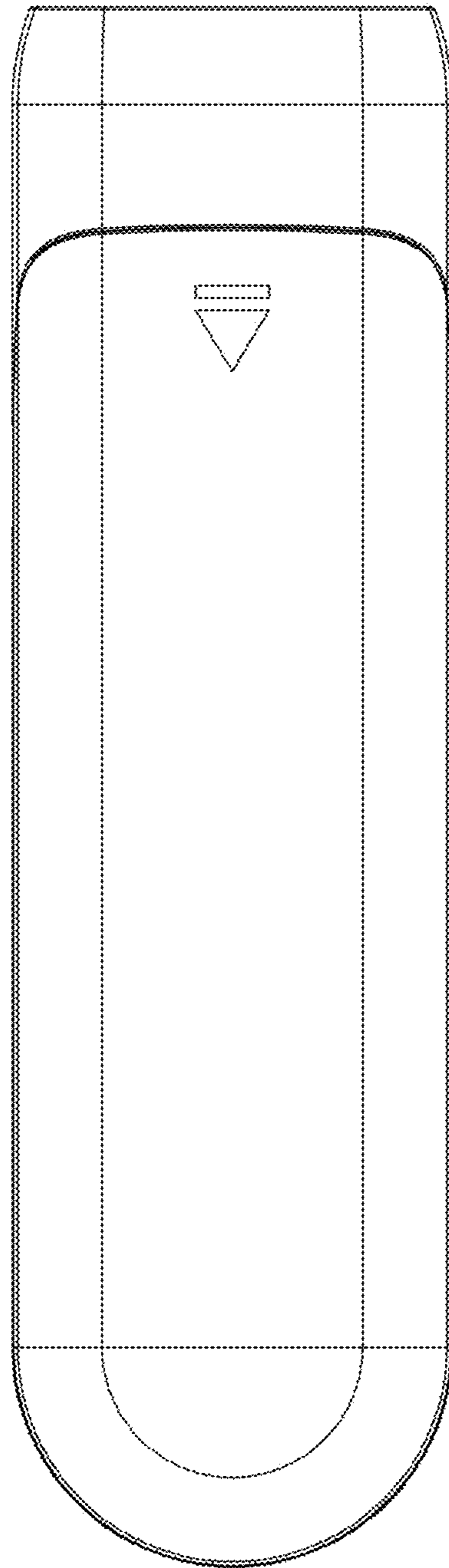


FIG. 4

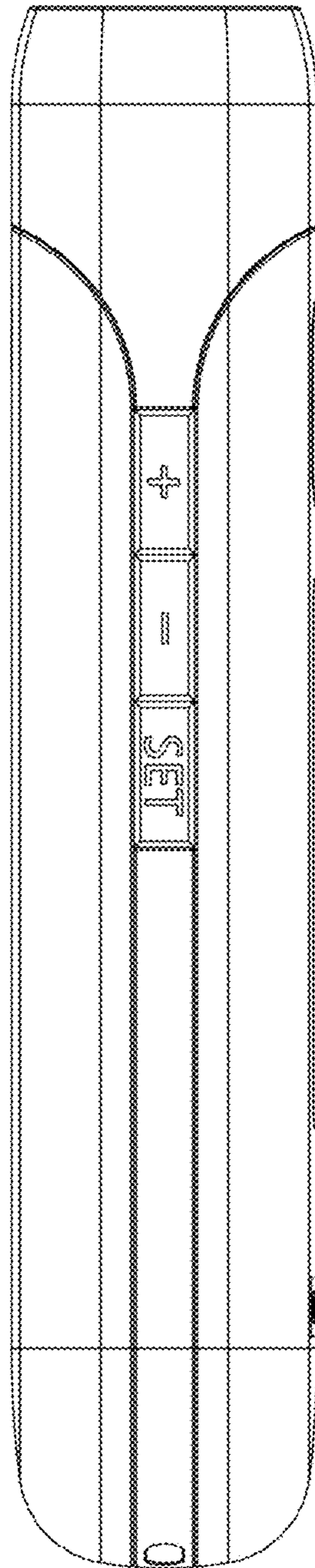


FIG. 5

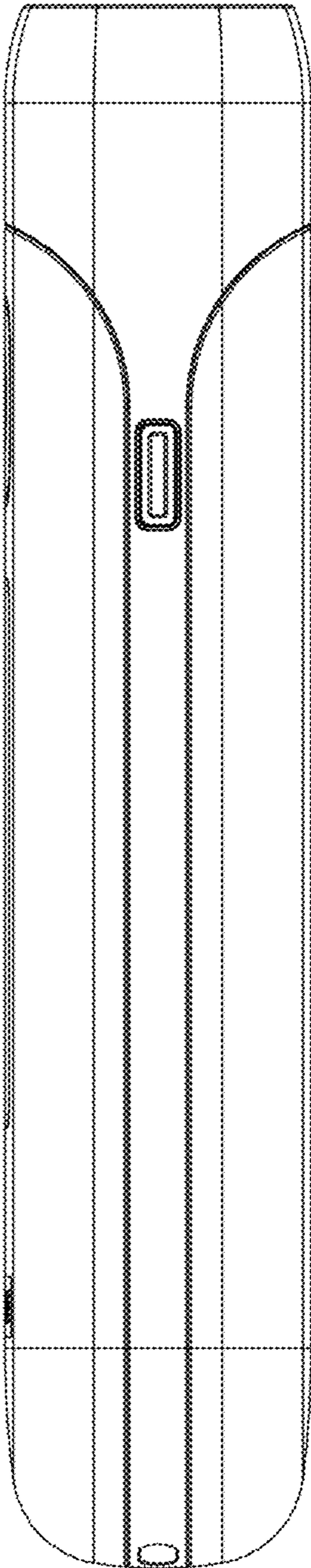


FIG. 6

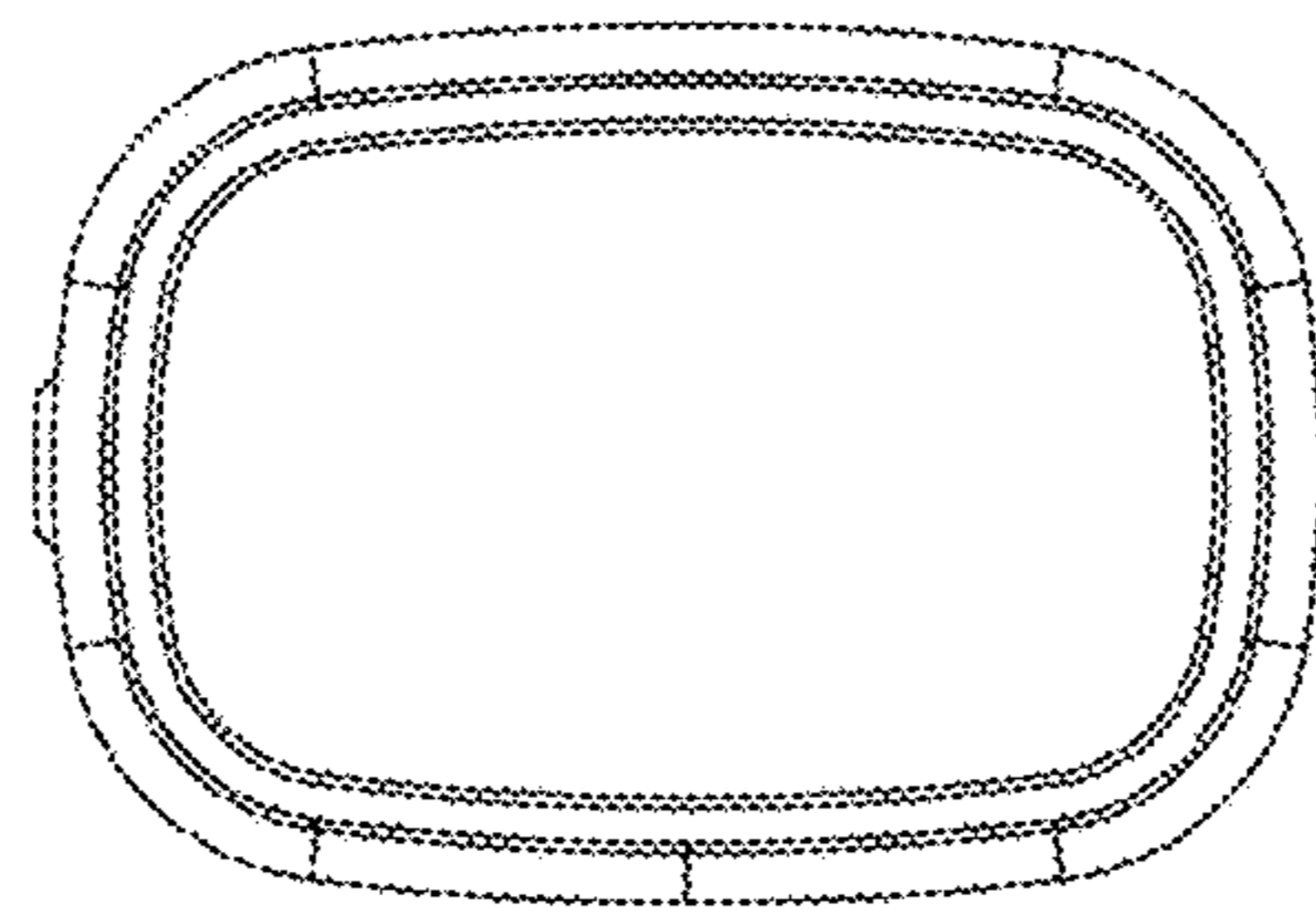


FIG. 7

