



US00D988164S

(12) **United States Design Patent**  
**Miller et al.**

(10) **Patent No.:** **US D988,164 S**  
(45) **Date of Patent:** **\*\* Jun. 6, 2023**

(54) **SECURITY TAG**

(71) Applicant: **Sensormatic Electronics, LLC**, Boca Raton, FL (US)

(72) Inventors: **Channing Everett Miller**, Fort Lauderdale, FL (US); **Sergio M. Perez**, Boca Raton, FL (US)

(73) Assignee: **SENSORMATIC ELECTRONICS, LLC**, Boca Raton, FL (US)

(\*\*) Term: **15 Years**

(21) Appl. No.: **29/809,095**

(22) Filed: **Sep. 24, 2021**

**Related U.S. Application Data**

(63) Continuation of application No. 29/755,784, filed on Oct. 22, 2020, and a continuation of application No. (Continued)

(51) **LOC (14) Cl.** ..... **10-05**

(52) **U.S. Cl.**  
USPC ..... **D10/106.91**

(58) **Field of Classification Search**  
USPC .... D10/104.1, 106.9, 106.91, 106.93, 109.1; 70/57.1; D14/140, 142, 240, 217, 218, (Continued)

(56) **References Cited**

**U.S. PATENT DOCUMENTS**

D343,135 S 1/1994 Witzky et al.  
D361,704 S 8/1995 Witzky et al.  
(Continued)

**OTHER PUBLICATIONS**

“Sensormatic InFuzion Tag” available Jun. 28, 2021, [online]. [site visited Nov. 3, 2022]. Retrieved from Internet, URL:https://www.eastek-onlineshop.com/013017 (Year: 2021).\*

(Continued)

*Primary Examiner* — Katrina N Gonzalez

(74) *Attorney, Agent, or Firm* — ArentFox Schiff LLP

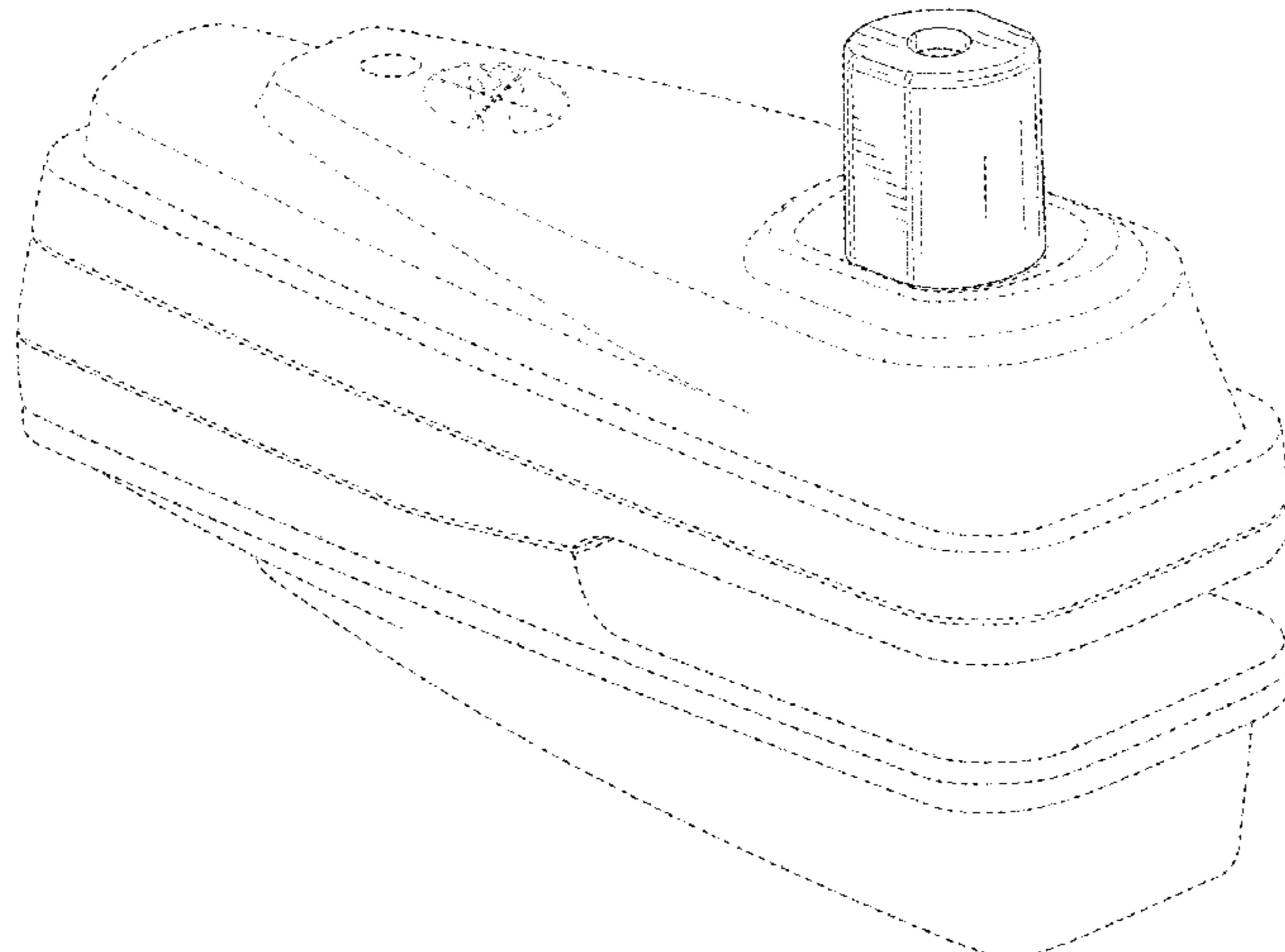
(57) **CLAIM**

The ornamental design for a security tag, as shown and described.

**DESCRIPTION**

FIG. 1 is a front left perspective view of a security tag in a disengaged state showing our new design; FIG. 2 is a front right perspective view of the design shown in FIG. 1; FIG. 3 is a left side view of the design shown in FIG. 1; FIG. 4 is a right side view of the design shown in FIG. 1; FIG. 5 is a front view of the design shown in FIG. 1; FIG. 6 is a rear view of the design shown in FIG. 1; FIG. 7 is a top plan view of the design shown in FIG. 1; FIG. 8 is a bottom plan view of the design shown in FIG. 1; FIG. 9 is a rear right perspective view of the design shown in FIG. 1; FIG. 10 is a rear left perspective view of the design shown in FIG. 1; FIG. 11 is a front left perspective view of a security tag in an engaged state showing our new design; FIG. 12 is a front right perspective view of the design shown in FIG. 11; FIG. 13 is a left side view of the design shown in FIG. 11; FIG. 14 is a right side view of the design shown in FIG. 11; FIG. 15 is a front view of the design shown in FIG. 11; FIG. 16 is a rear view of the design shown in FIG. 11; FIG. 17 is a top plan view of the design shown in FIG. 11; FIG. 18 is a bottom plan view of the design shown in FIG. 11; FIG. 19 is a rear right perspective view of the design shown in FIG. 11; and, FIG. 20 is a rear left perspective view of the design shown in FIG. 11. The broken lines shown in the figures are included for the purpose of illustrating portions of the security tag and form no part of the claimed design.

**1 Claim, 20 Drawing Sheets**



**Related U.S. Application Data**

29/755,783, filed on Oct. 22, 2020, which is a continuation of application No. 29/639,063, filed on Mar. 2, 2018, now Pat. No. Des. 915,918.

(58) **Field of Classification Search**

USPC ..... D14/155, 356, 357, 358, 359, 383, 385, D14/432, 435, 435.1, 447, 553, 480.1, D14/480.3, 480.5, 480.7, 483, 484.1; D3/208; D13/168; D8/347; D20/22  
 CPC ..... H04W 4/80; H04W 4/029; H04W 12/08; H04W 4/025; H04W 12/0023; H04W 12/02; H04W 12/04; H04W 12/06; H04W 4/046; H04W 4/40; H04W 52/0229; H04W 88/02; H04W 12/00407; H04W 12/12; H04W 40/244; H04W 48/12; H04W 48/16; H04W 4/00; H04W 4/023; H04W 4/026; H04W 4/027; H04W 4/04; H04W 4/06; H04W 4/18; H04W 4/21; H04W 4/24; H04W 4/30; H04W 4/33; H04W 4/35; H04W 4/44; H04W 4/70; H04W 64/00; H04W 64/006; H04W 76/10; H04W 76/15; H04W 76/34; H04W 84/042; H04W 84/047; H04W 84/12; H04W 84/18; H04W 88/06; H04W 8/26; H04W 92/20; H03D 9/02

See application file for complete search history.

(56) **References Cited**

U.S. PATENT DOCUMENTS

D385,208 S *	10/1997	Chui	.....	D10/104.1
D427,929 S	6/2000	Sayegh		
6,449,991 B1 *	9/2002	Hogan	.....	E05B 73/0017 70/57.1
D466,426 S	12/2002	Proulx et al.		
D466,427 S	12/2002	Huehner et al.		
D468,223 S	1/2003	Huehner		
D471,121 S	3/2003	Perez		
D478,833 S	8/2003	Belden, Jr. et al.		
D492,214 S	6/2004	Sayegh et al.		
D559,720 S	1/2008	Raymond		
D569,288 S	5/2008	Raymond		
D605,066 S	12/2009	Raymond		
7,633,396 B2	12/2009	Lynce et al.		
D609,125 S	2/2010	Perez		
D625,637 S	10/2010	Sayegh		
7,821,403 B2	10/2010	Hogan		
D649,898 S	12/2011	Yang		
8,350,702 B2	1/2013	Copeland et al.		

D679,209 S	4/2013	Reynolds et al.		
D686,099 S	7/2013	Sayegh et al.		
D696,150 S	12/2013	Wu et al.		
D696,151 S	12/2013	Wu et al.		
D696,599 S	12/2013	Luo et al.		
D696,600 S	12/2013	Wu et al.		
D698,273 S	1/2014	Sayegh et al.		
8,683,830 B2	4/2014	Conti		
D705,686 S	5/2014	Wu et al.		
D706,153 S	6/2014	Sayegh et al.		
D709,398 S	7/2014	Leyden		
D714,670 S	7/2014	Wu et al.		
D714,176 S	9/2014	Perez et al.		
D742,772 S	11/2015	Yang		
9,734,683 B1 *	8/2017	Perez	.....	E05B 73/0017
D818,043 S *	5/2018	Zhao	.....	D19/173
D837,885 S *	1/2019	Jacobson	.....	D19/194
D871,947 S	1/2020	Simoneau		
D873,916 S *	1/2020	King	.....	D19/171
D882,440 S *	4/2020	Miller	.....	D10/106.91
D885,953 S *	6/2020	Napthine	.....	D10/106.91
D892,660 S	8/2020	Perez et al.		
D895,012 S *	9/2020	Schnug	.....	D19/171
D915,918 S *	4/2021	Miller	.....	D10/106.91
11,055,977 B2	7/2021	Perez		
D930,745 S *	9/2021	King	.....	D19/171
D952,494 S *	5/2022	Miller	.....	D10/106.9
D962,806 S	9/2022	Miller		
2006/0254326 A1	11/2006	Lax et al.		
2013/0340489 A1	12/2013	Koslowski, Jr. et al.		
2019/0188983 A1	6/2019	Ellers et al.		
2021/0012634 A1 *	1/2021	Claeys	.....	E05B 47/0012
2021/0087857 A1 *	3/2021	Claeys	.....	G08B 13/2434
2022/0092955 A1 *	3/2022	Claeys	.....	G08B 13/2417

OTHER PUBLICATIONS

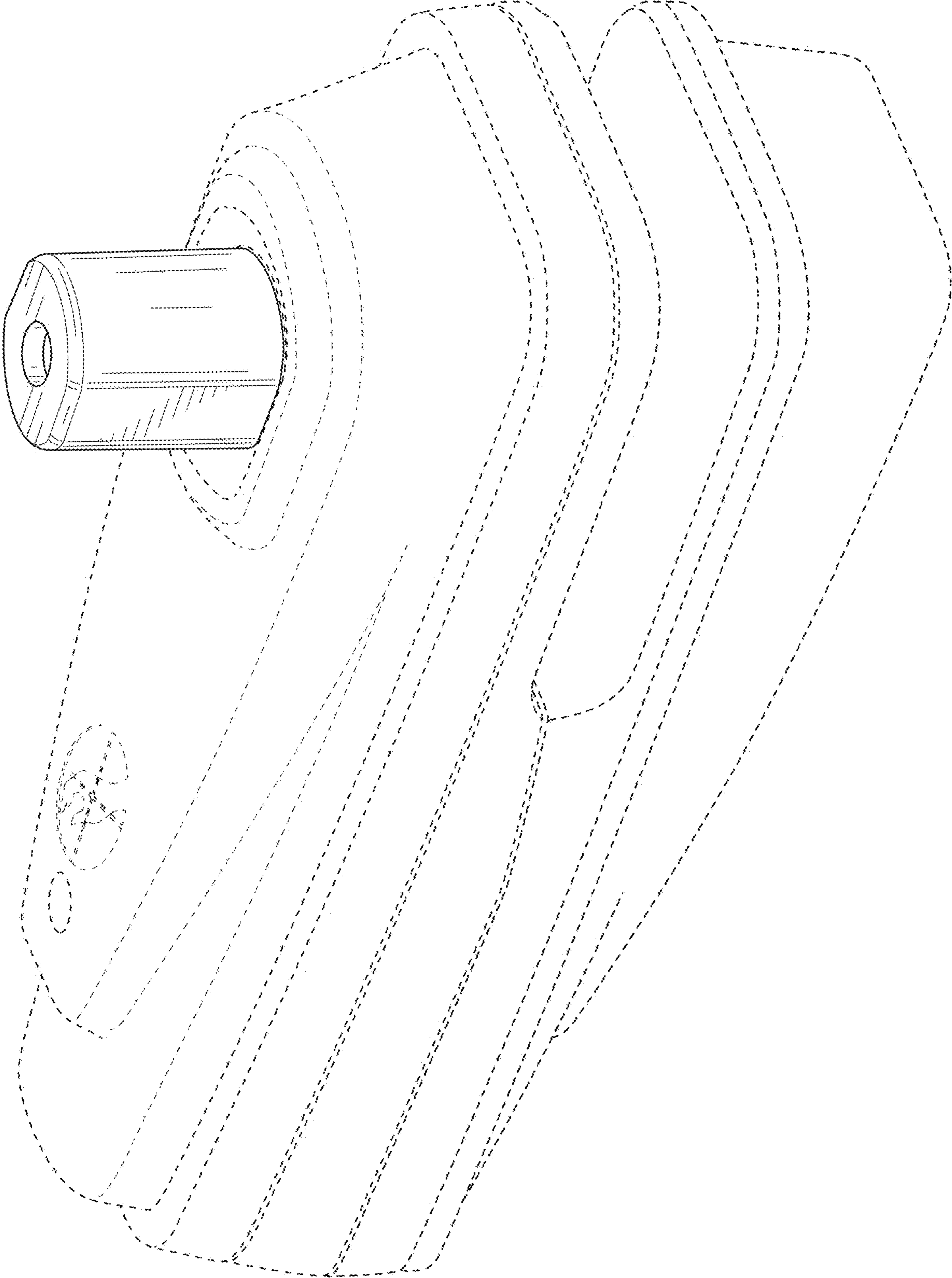
“Sensormatic Infuzion Magnetic Tag” available May 5, 2019, [online], [site visited Nov. 3, 2022]. Retrieved from Internet, URL: [https://web.archive.org/web/20190505150905/http://amartastore.com/index.php?route=product/product&product\\_id=3337](https://web.archive.org/web/20190505150905/http://amartastore.com/index.php?route=product/product&product_id=3337) (Year: 2019).\*

“How to open & overview Sensormatic InFuzion Tag” available Mar. 26, 2021, [online], [site visited Nov. 3, 2022]. Retrieved from Internet, URL: <https://www.youtube.com/watch?v=6MlljGI3xIk> (Year: 2021).\*

“New Sensormatic InFuzion Tags” available Dec. 5, 2018, [online], [site visited May 15, 2019], Retrieved from Internet, <URL: <https://vimeo/304707722>> (Year: 2018).

“Tyco Retail Solutions launches the new EAS InFuzion label” available Jun. 18, 2018, [online], [site visited May 15, 2019], Retrieved from Internet, <URL: <https://tpvnews.eshardware/dispositivos/tyco-retail-solutions-lanza-la-nueva-etiqueta-eas-infuzion-201806189243.htm>> (Year: 2018).

\* cited by examiner



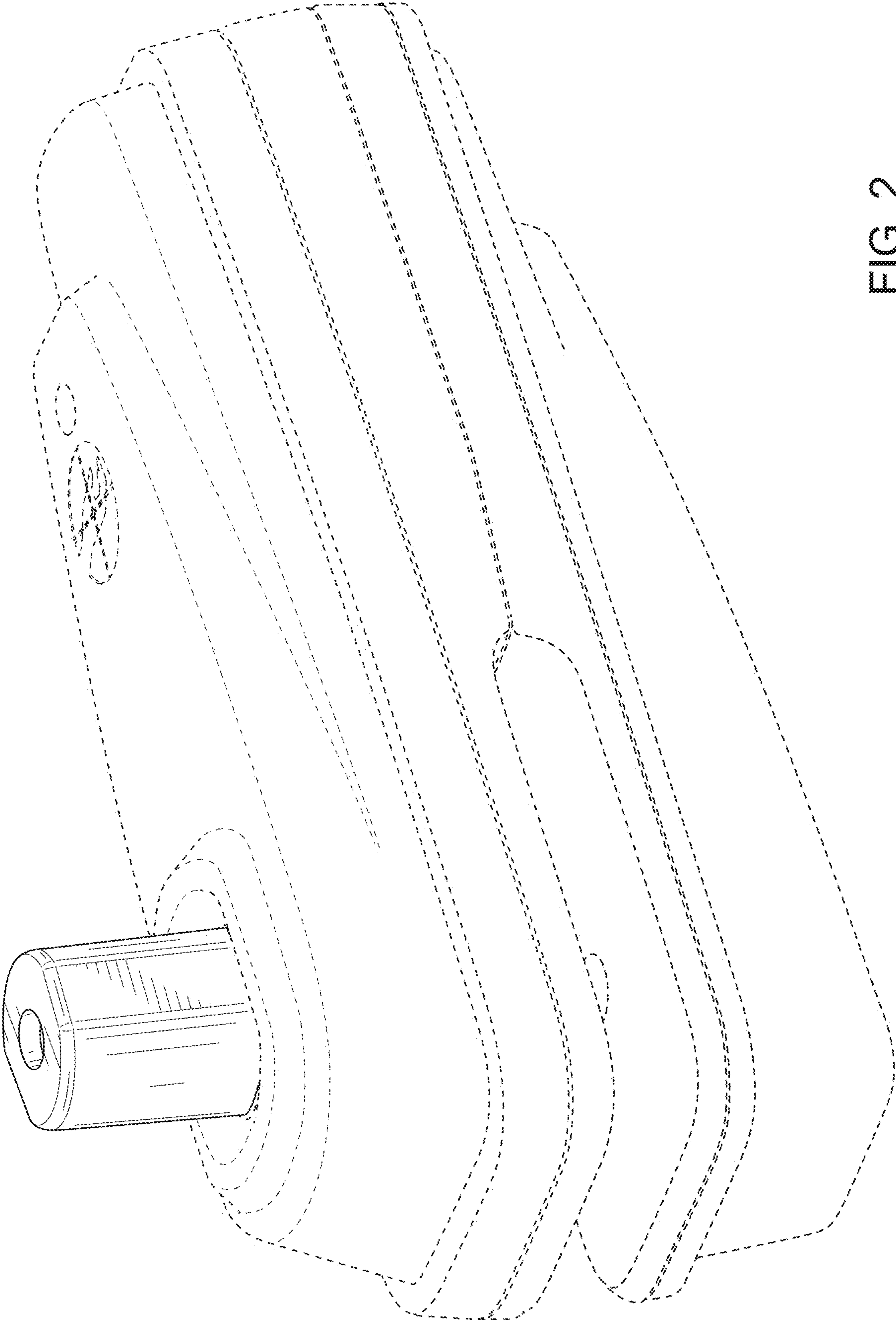


FIG. 2

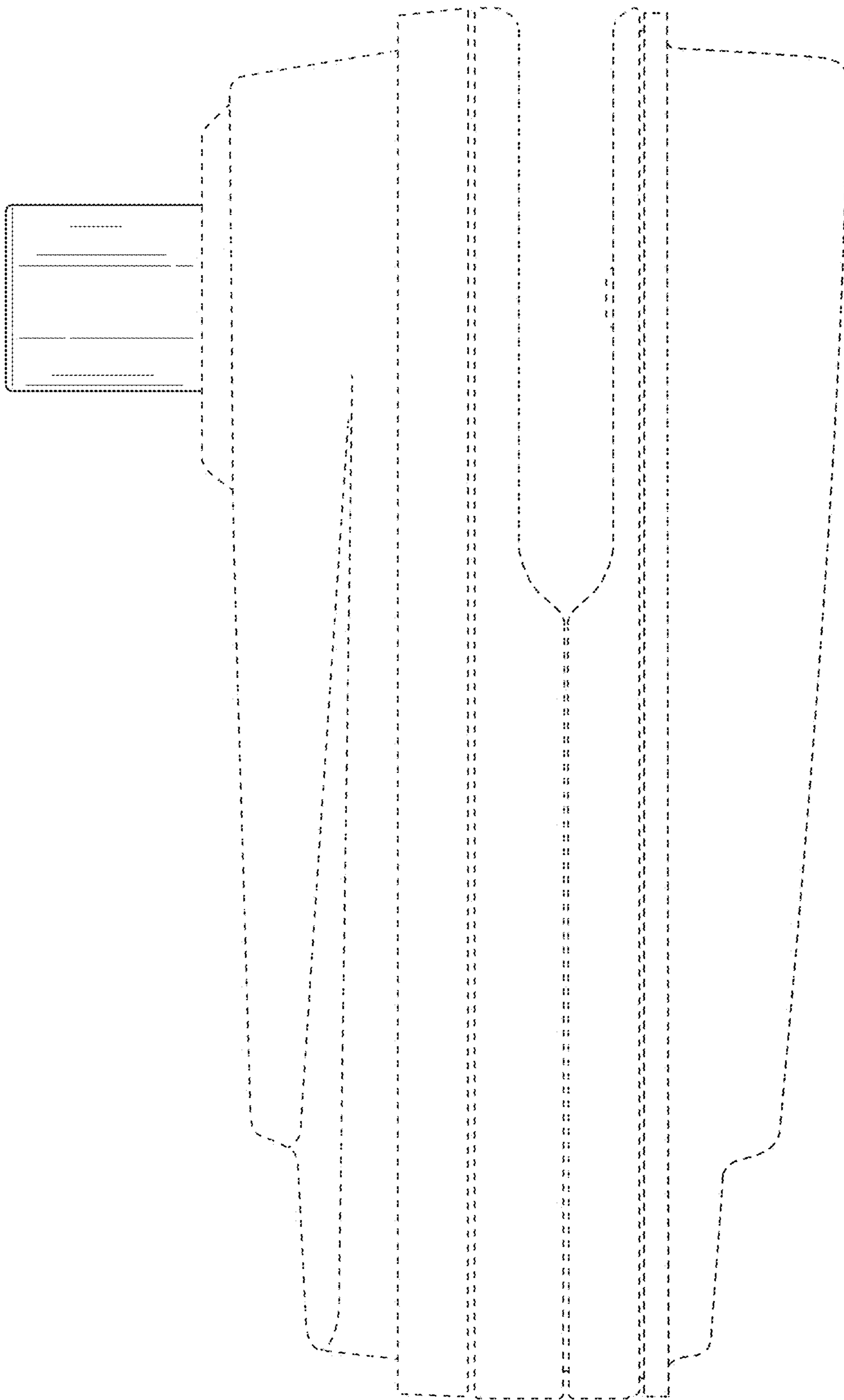


FIG. 3

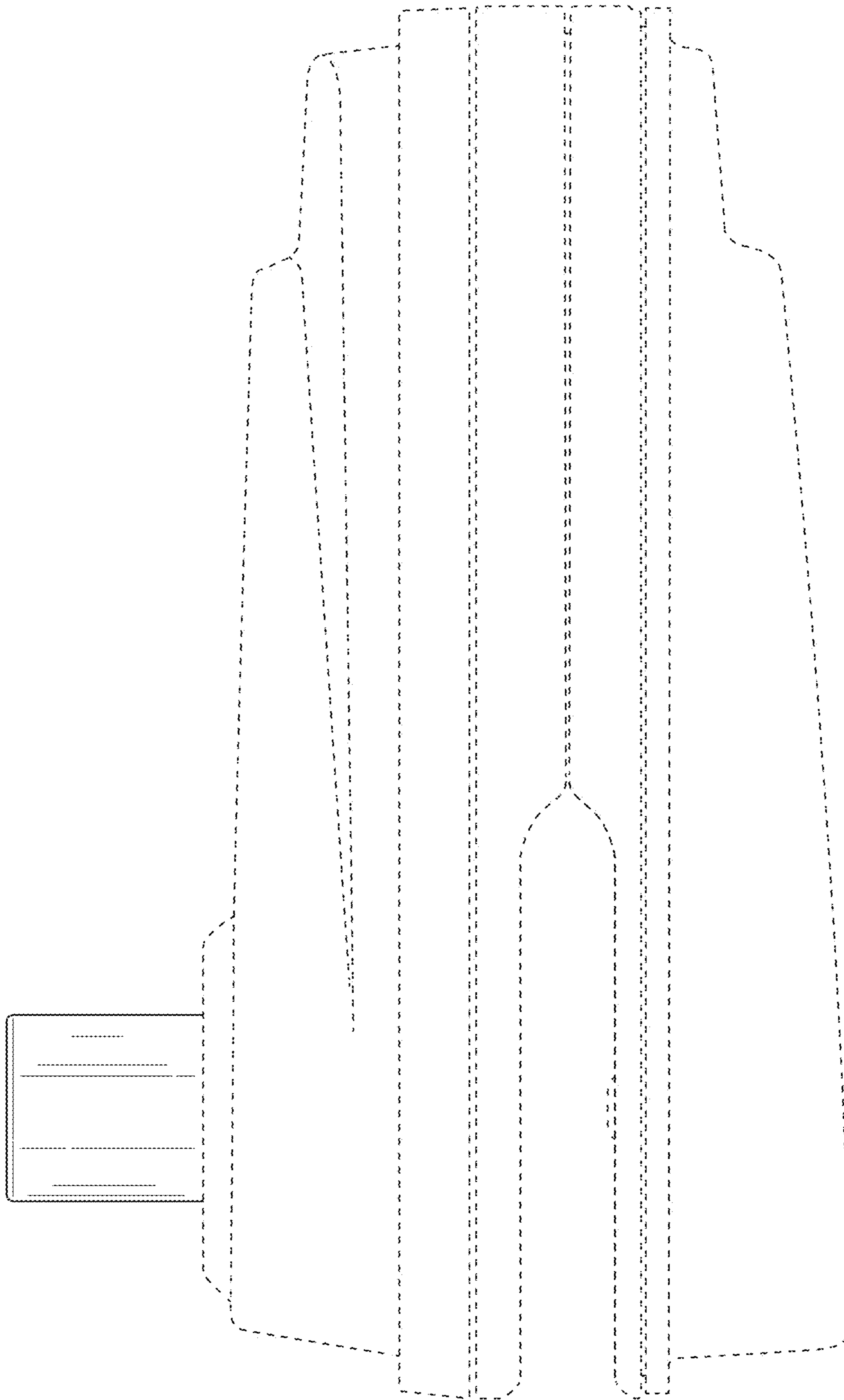


FIG. 4

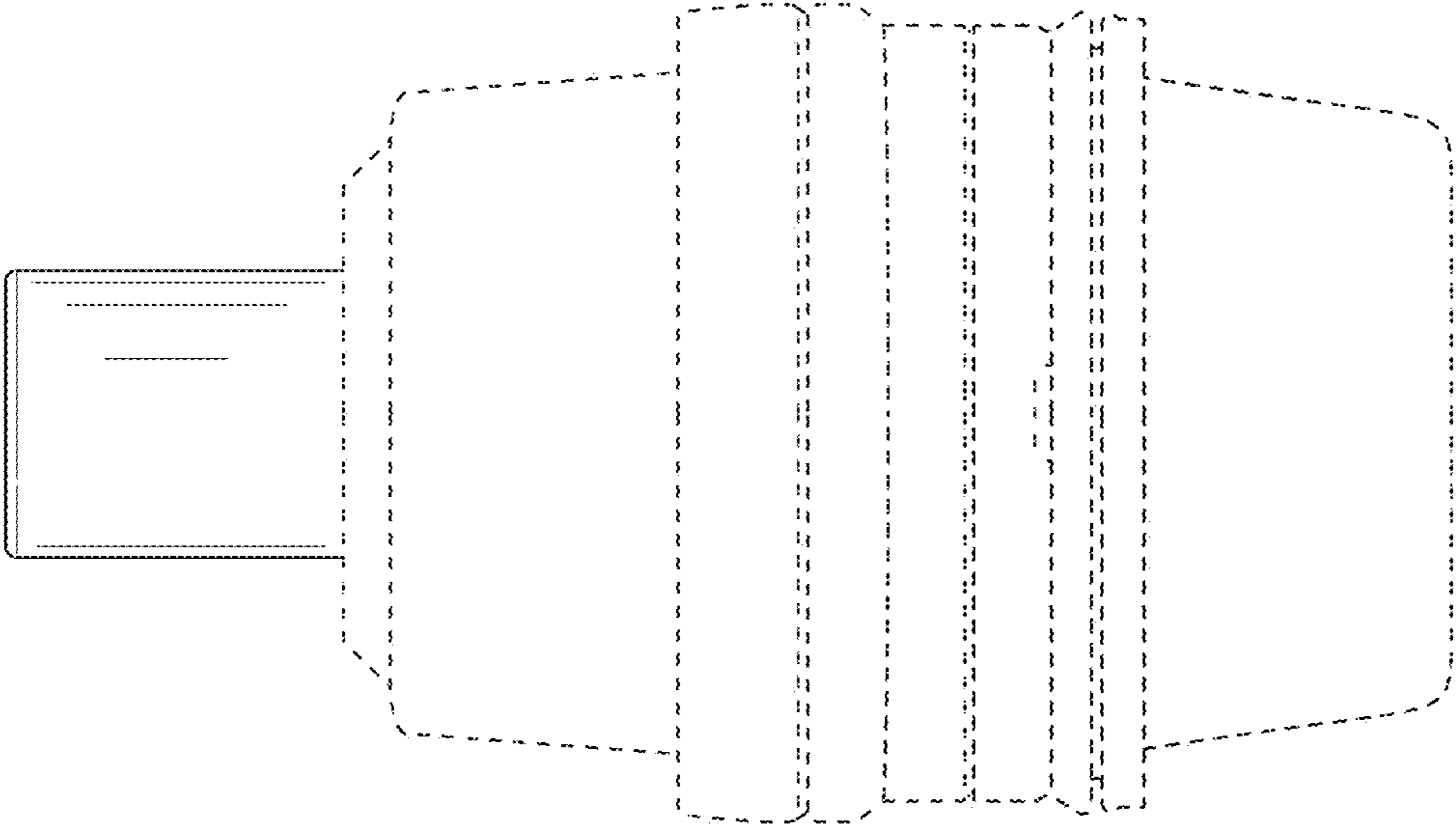


FIG. 5

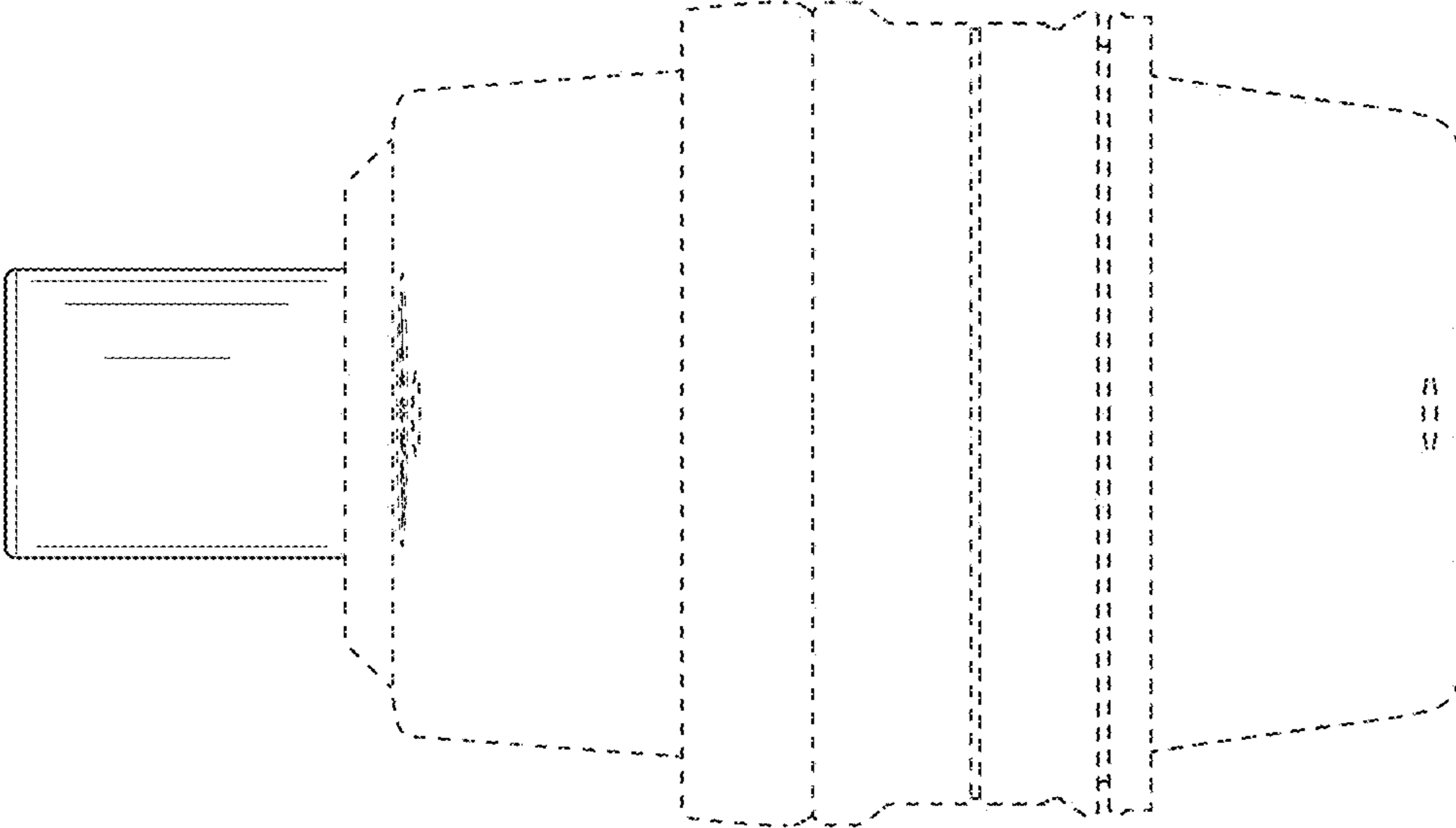


FIG. 6



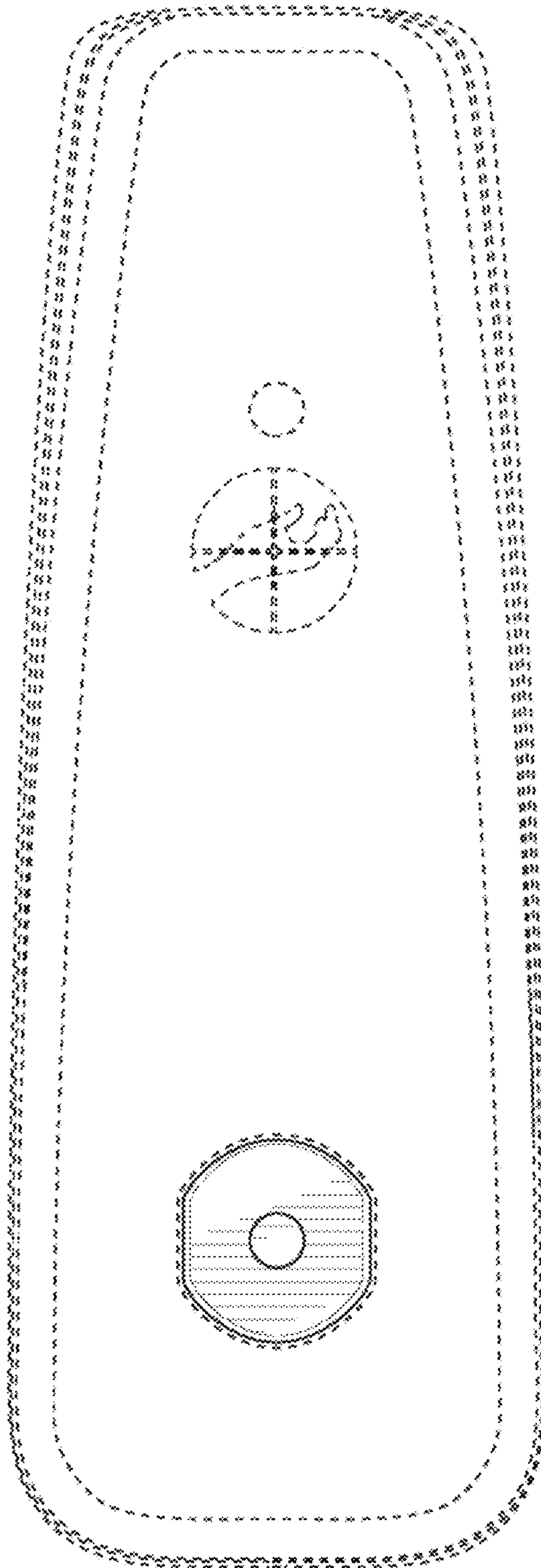


FIG. 7

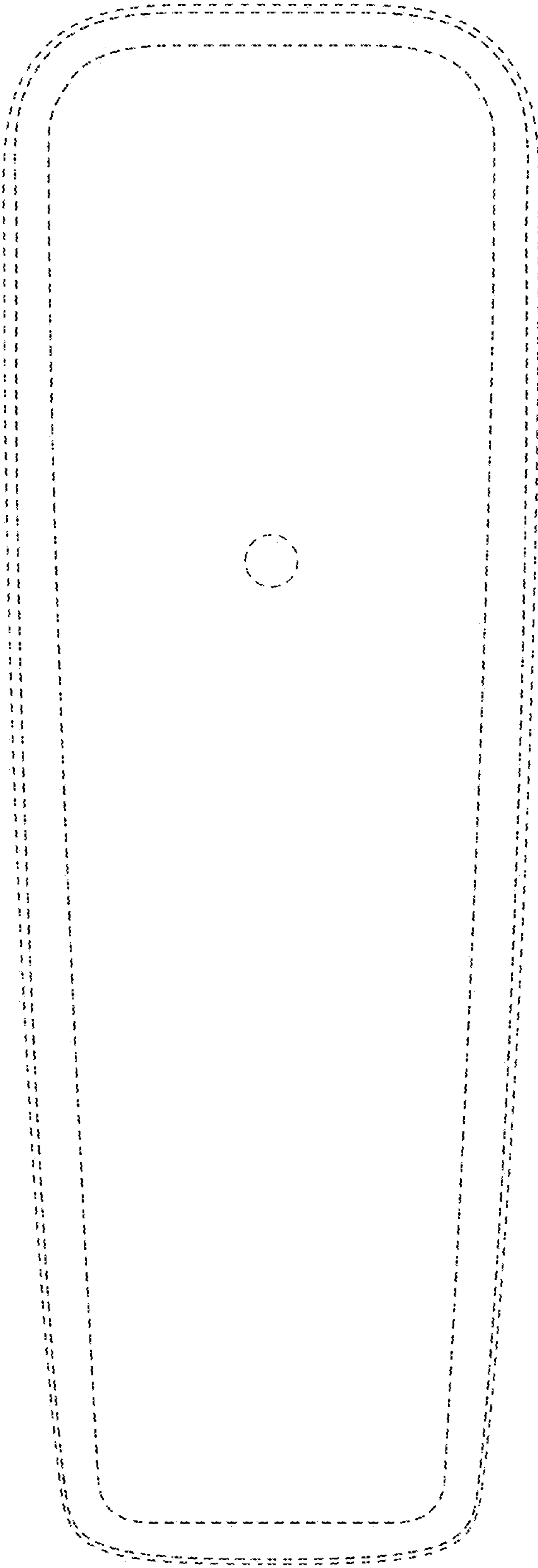


FIG. 8

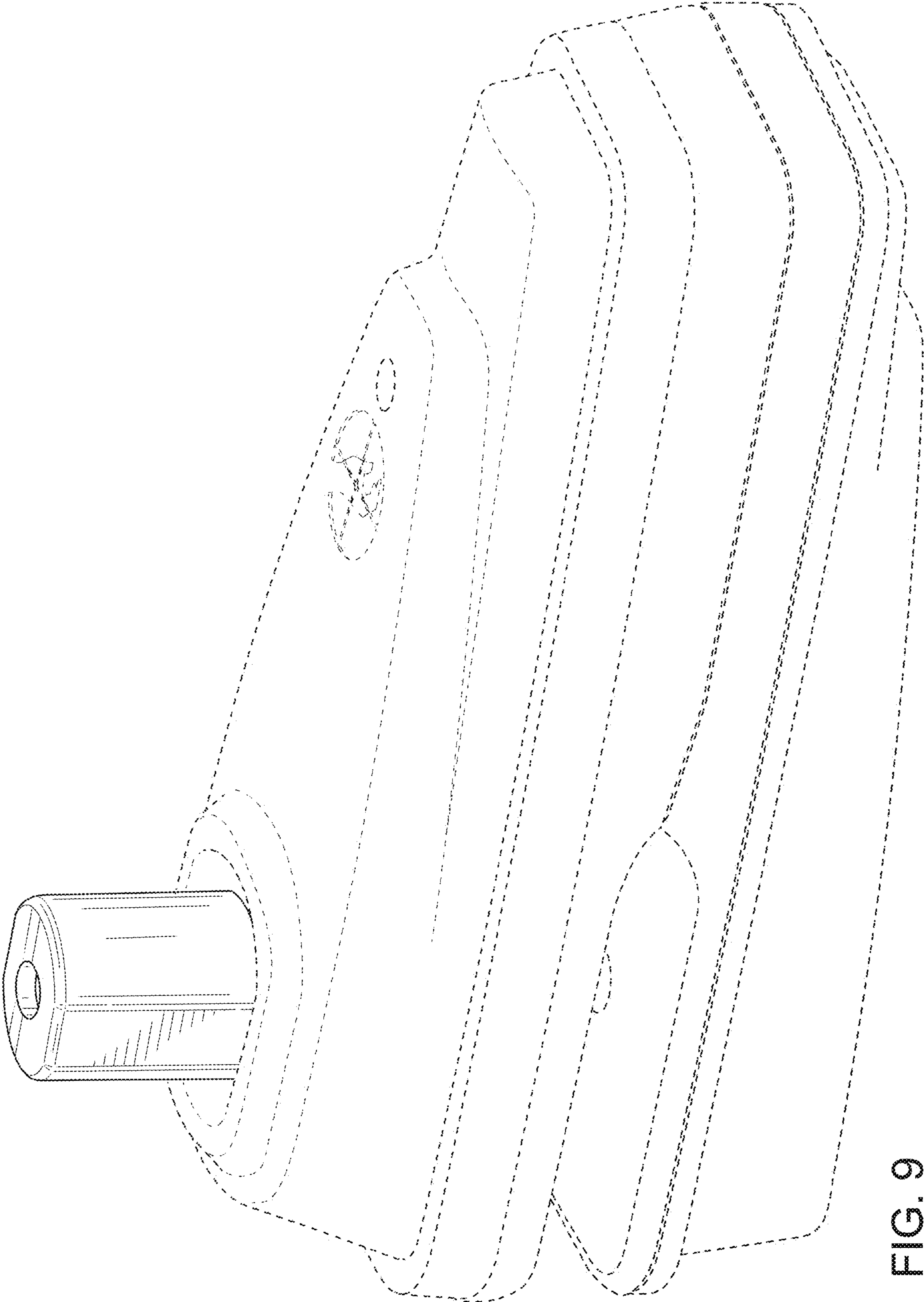


FIG. 9

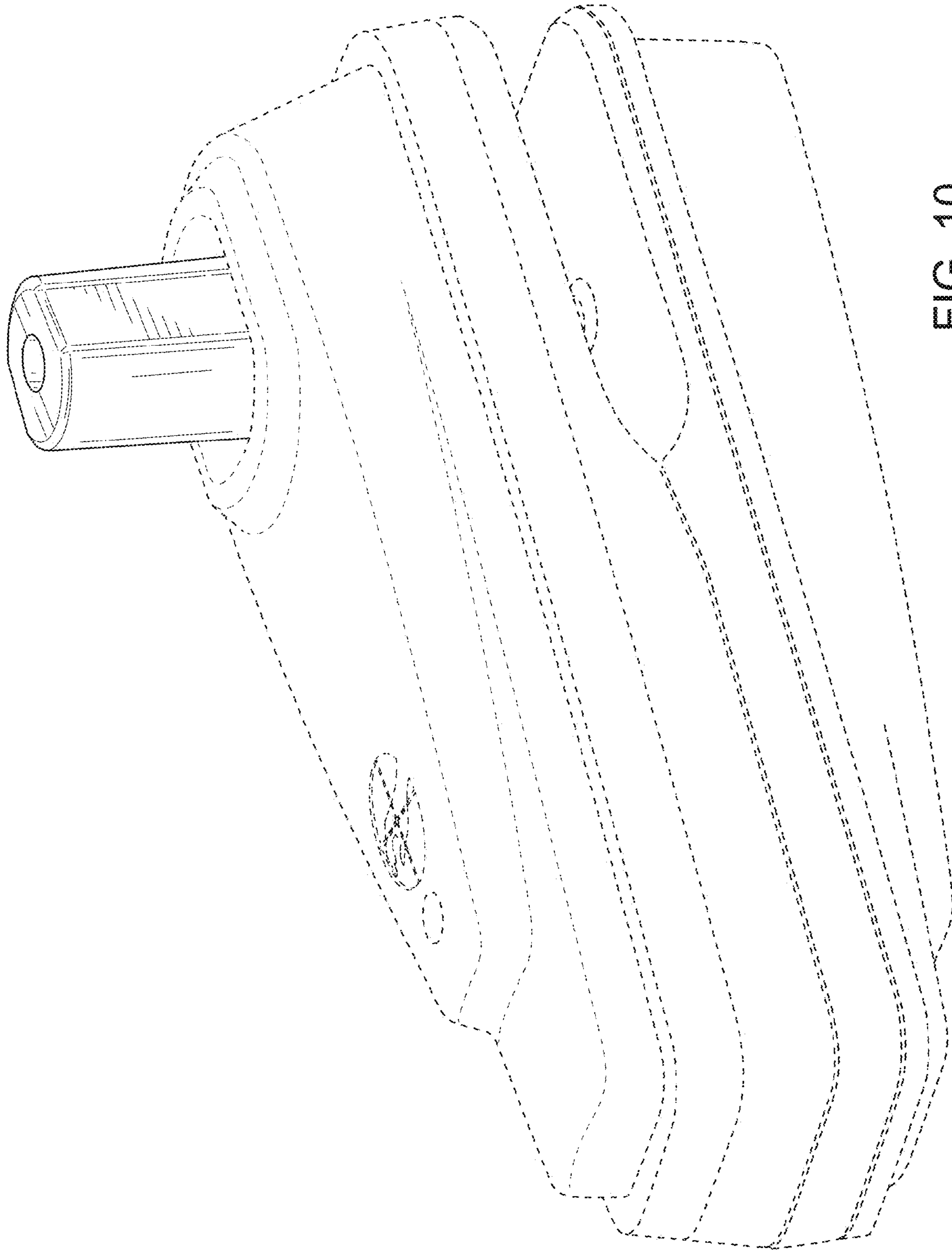


FIG. 10

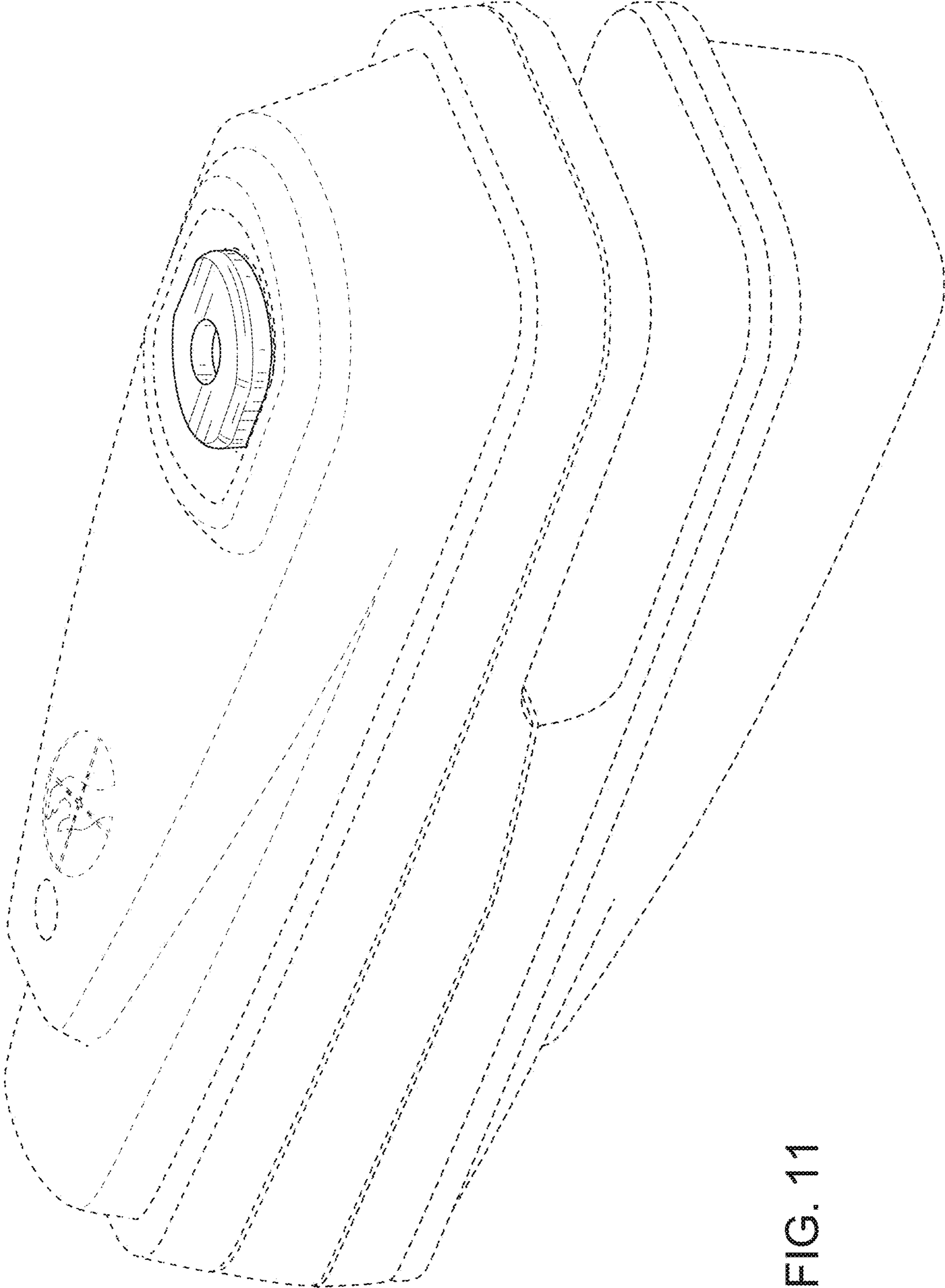


FIG. 11

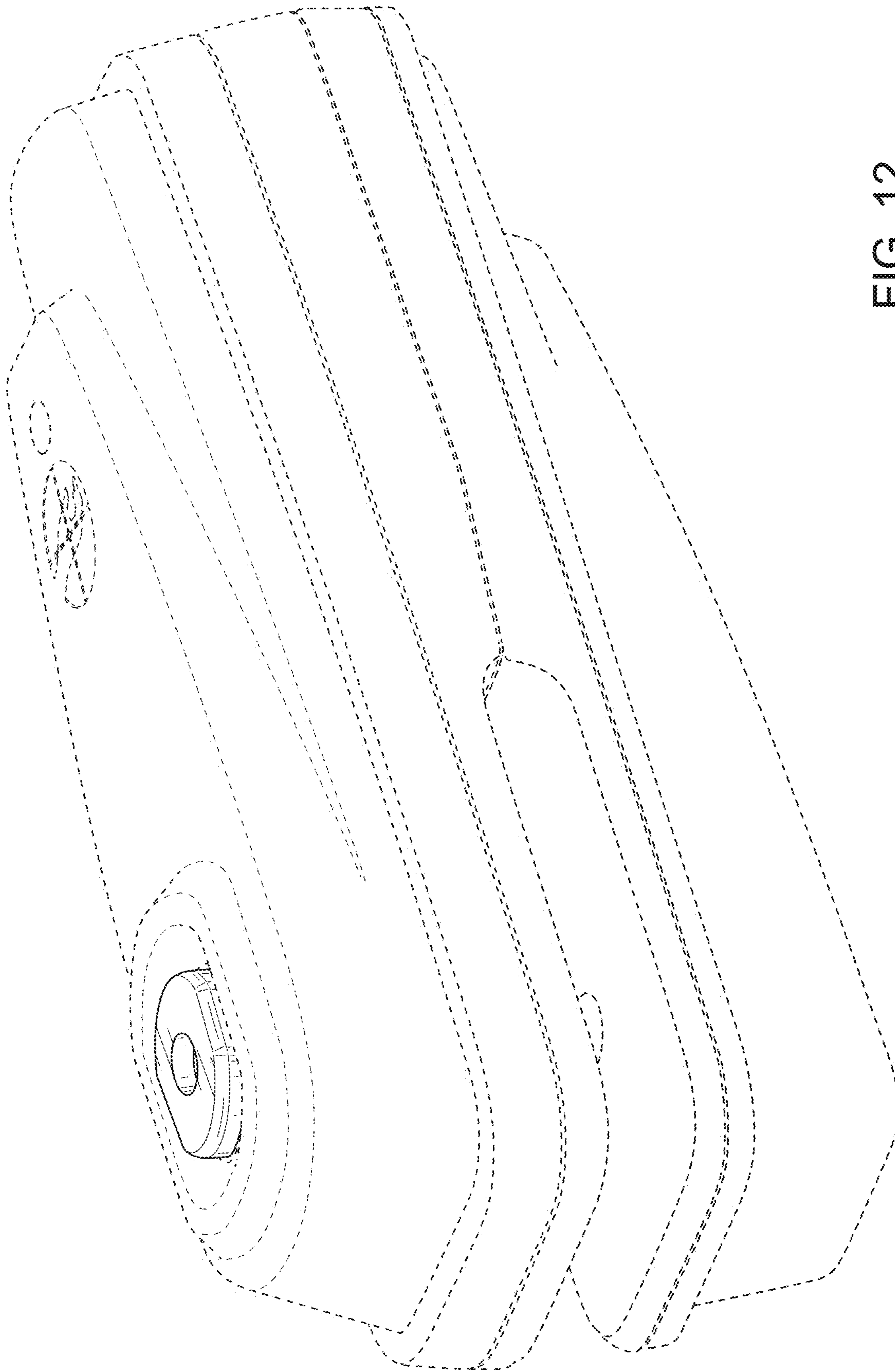


FIG. 12

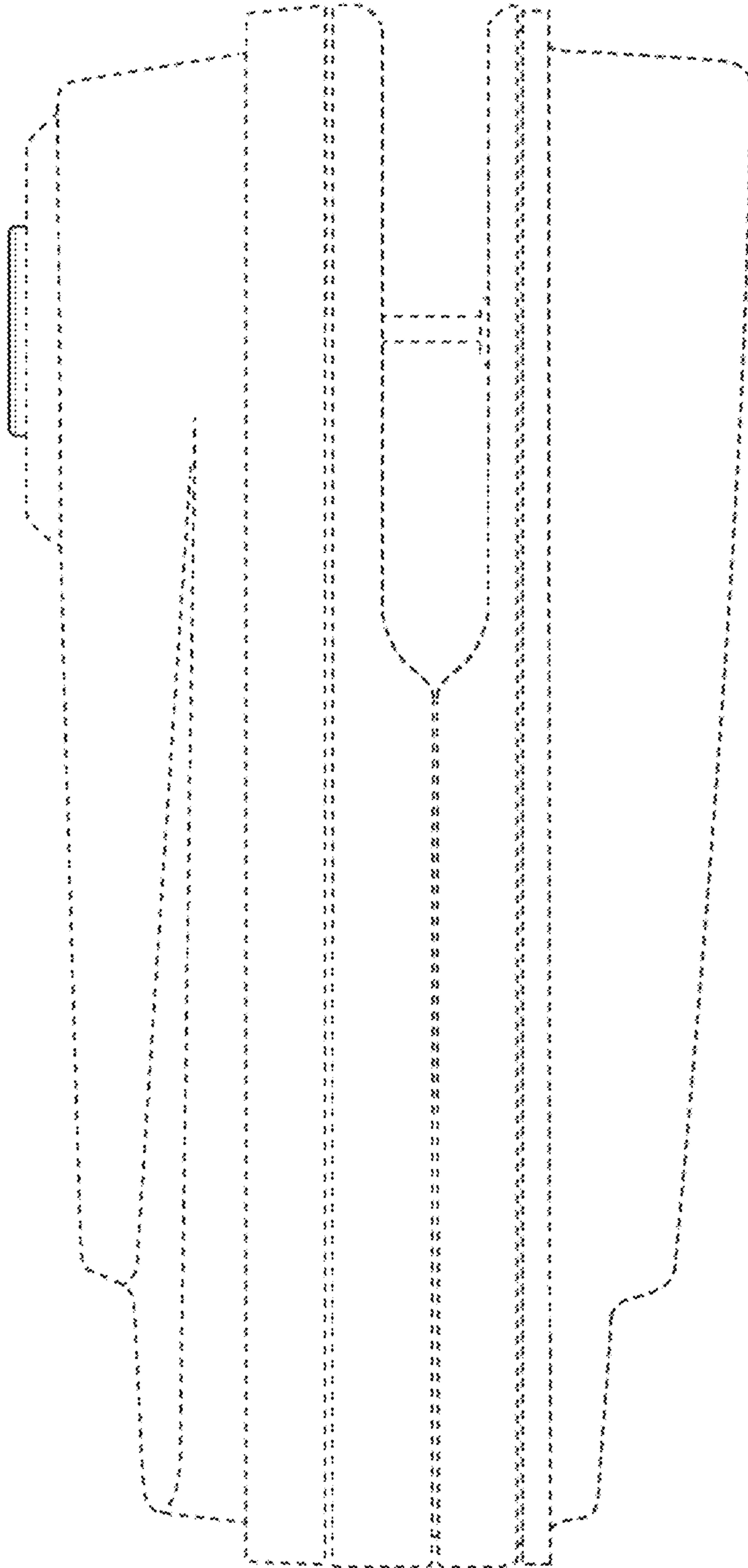


FIG. 13

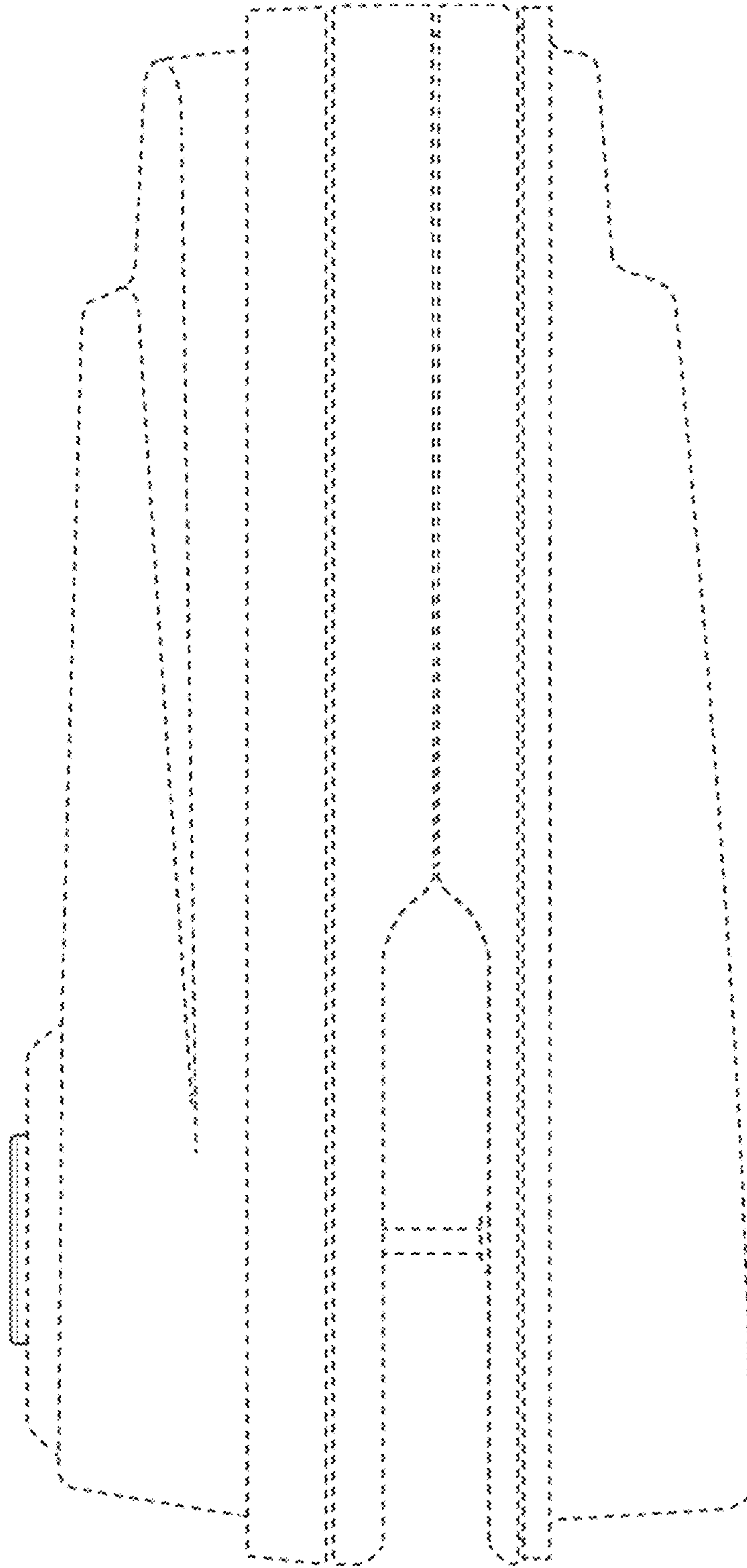


FIG. 14



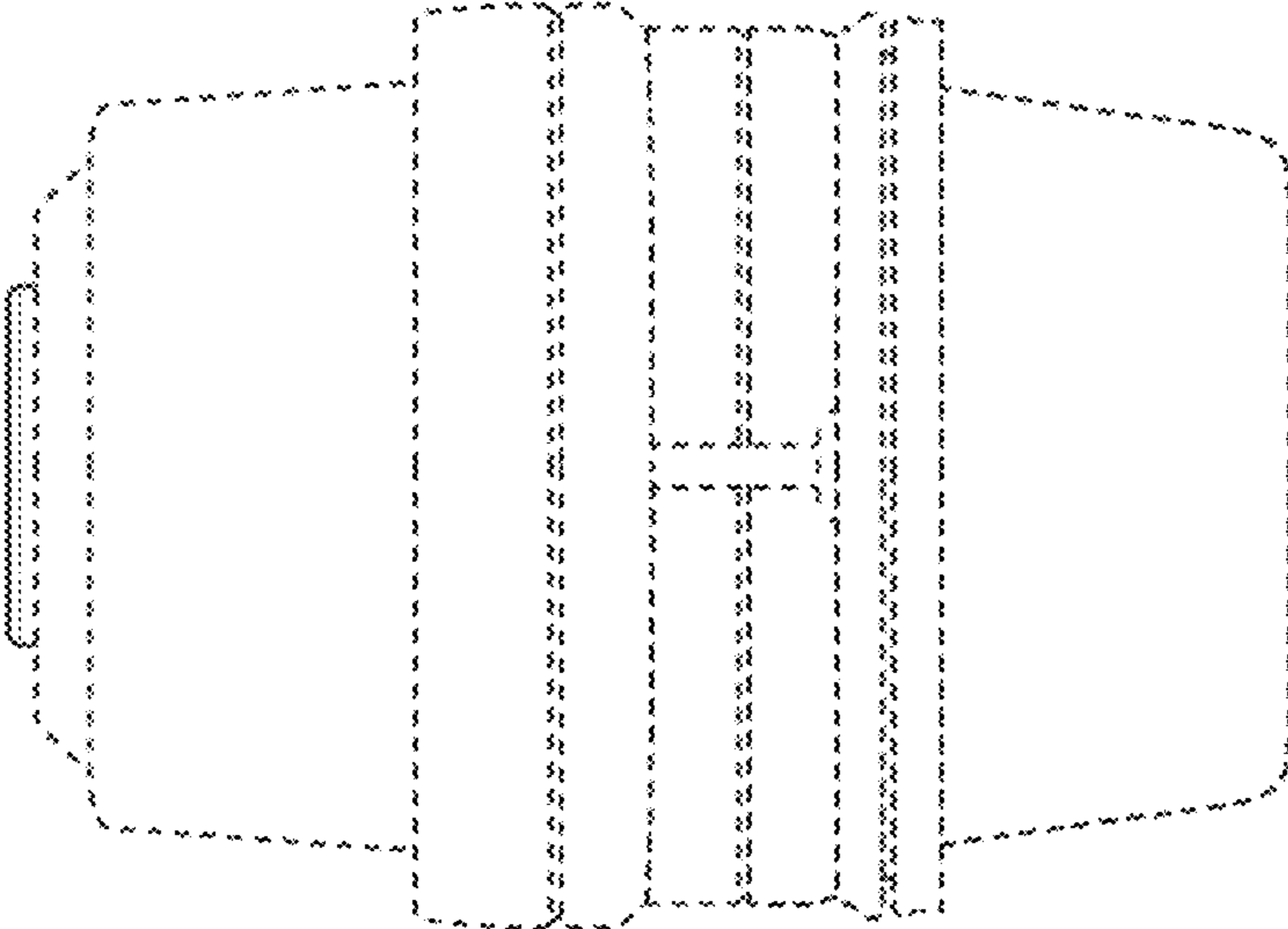


FIG. 15

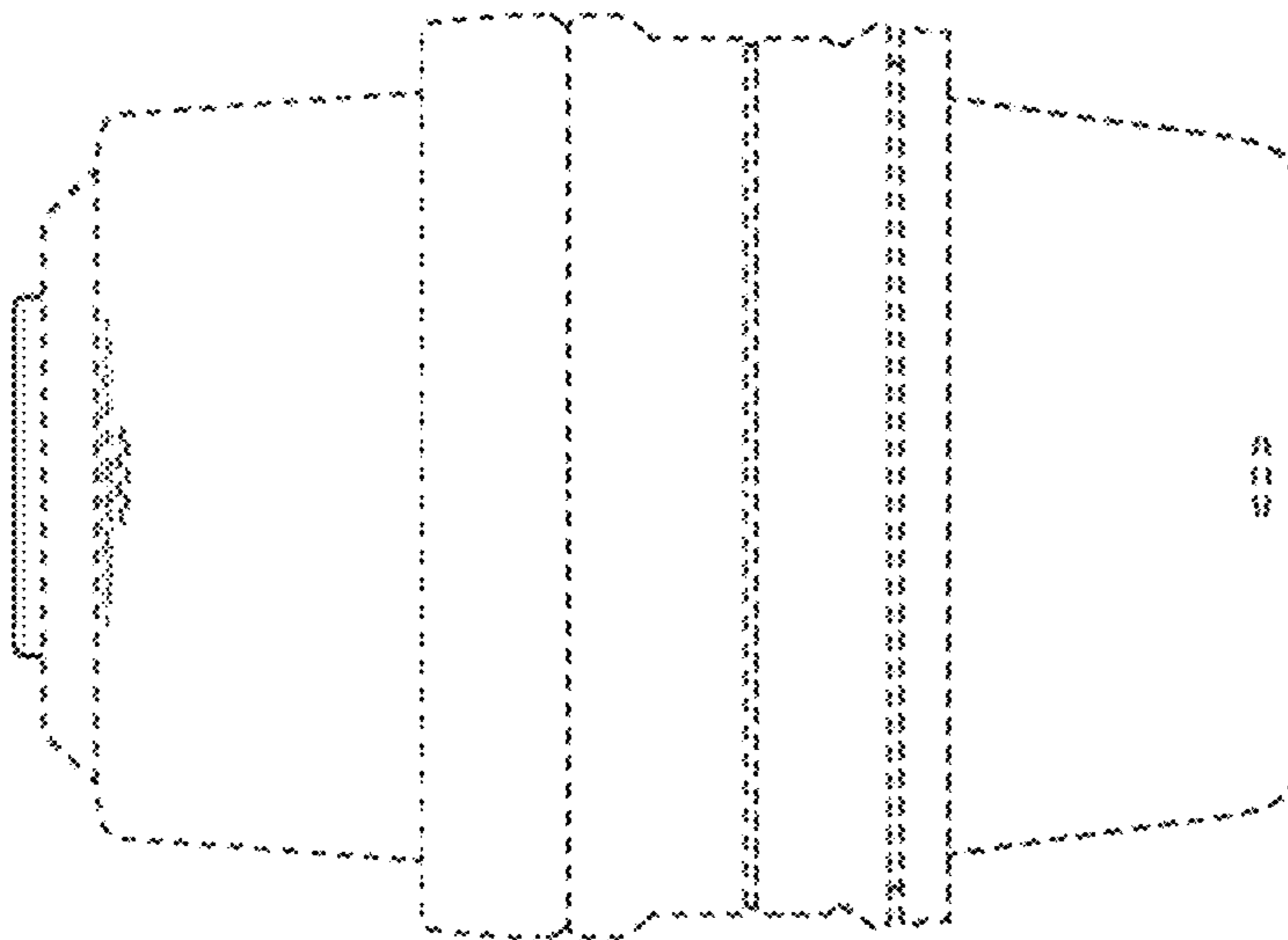


FIG. 16

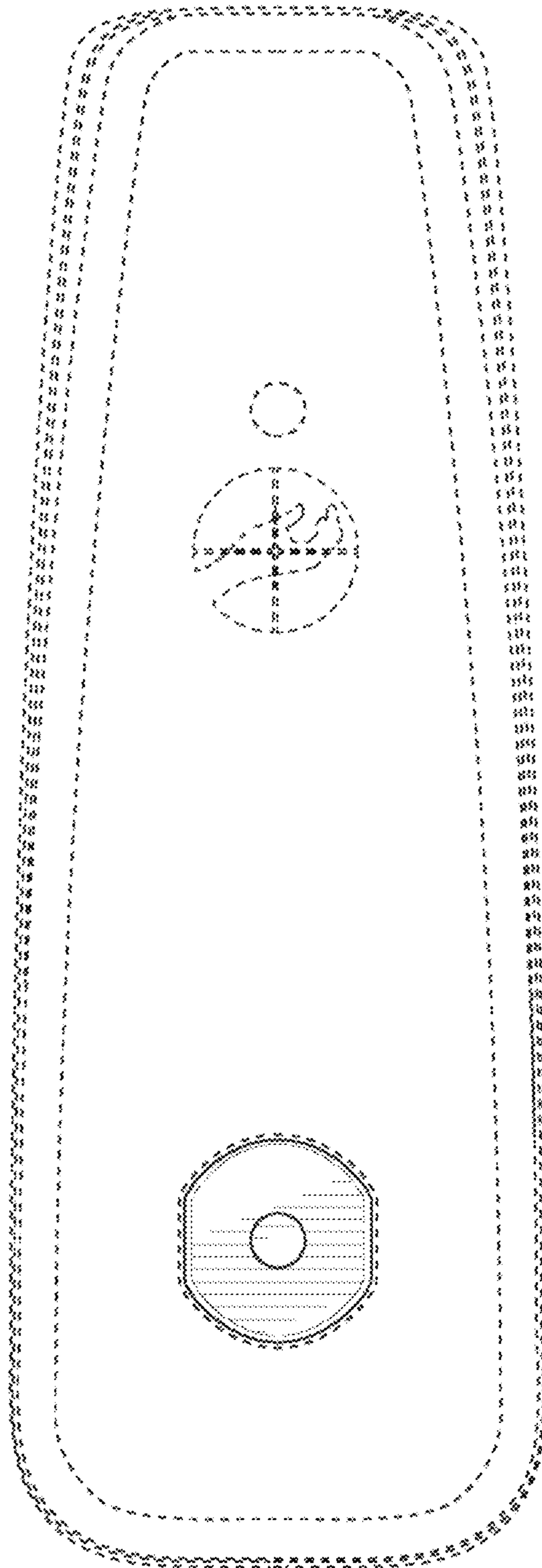


FIG. 17

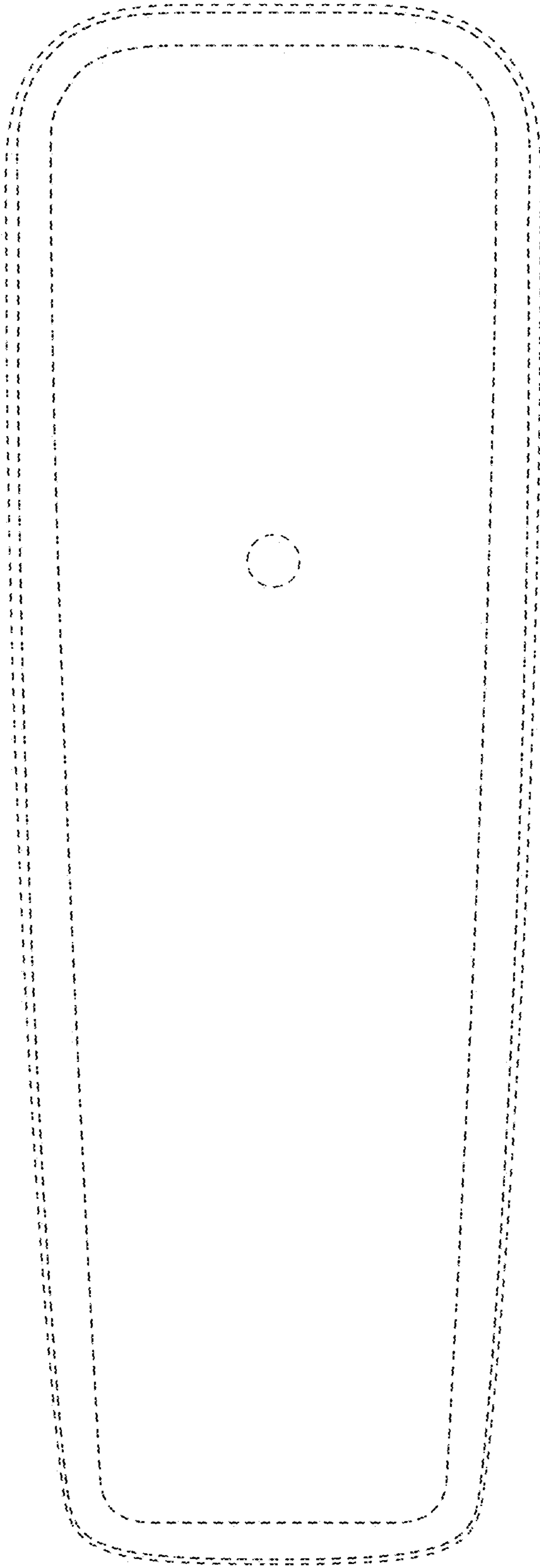


FIG. 18

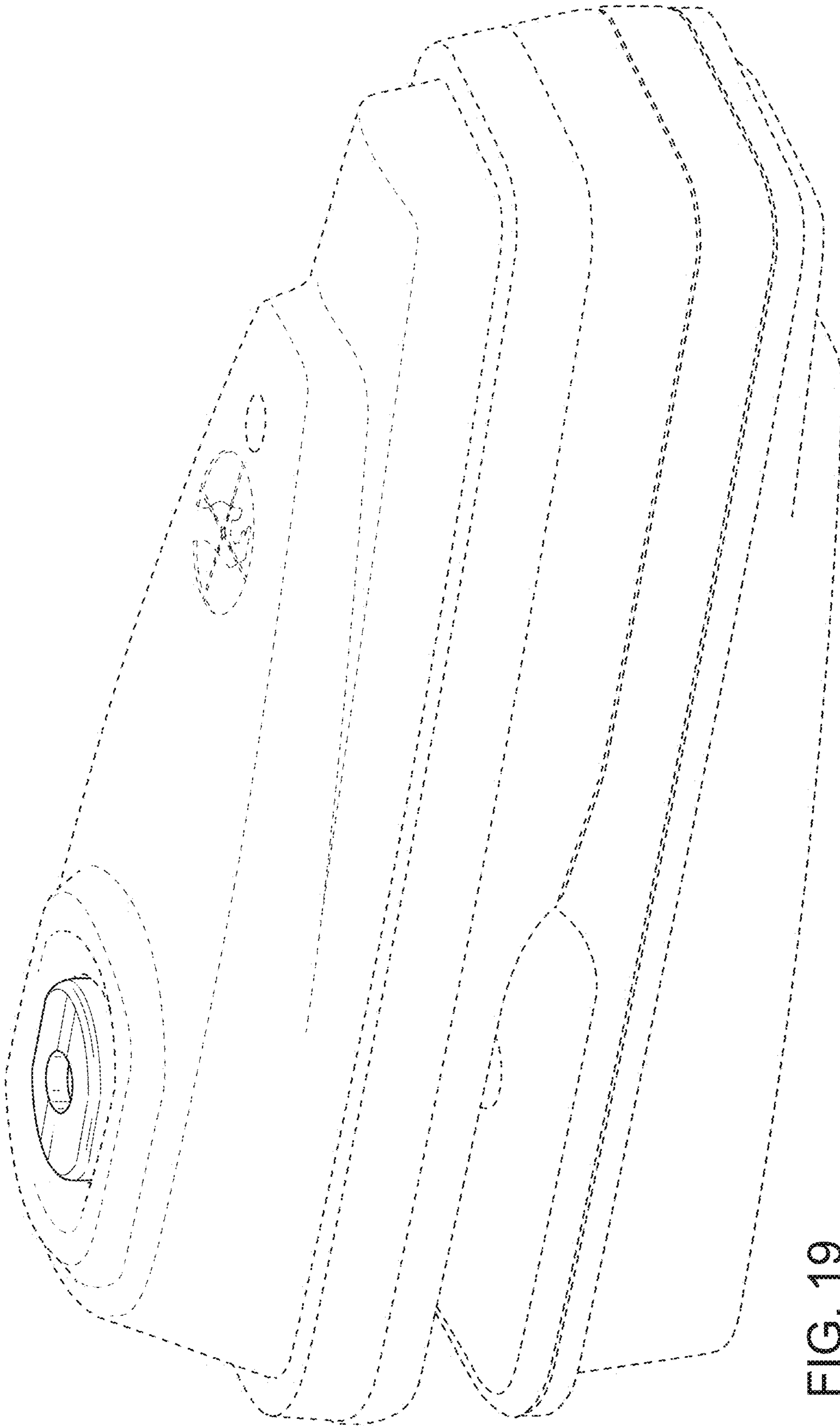


FIG. 19

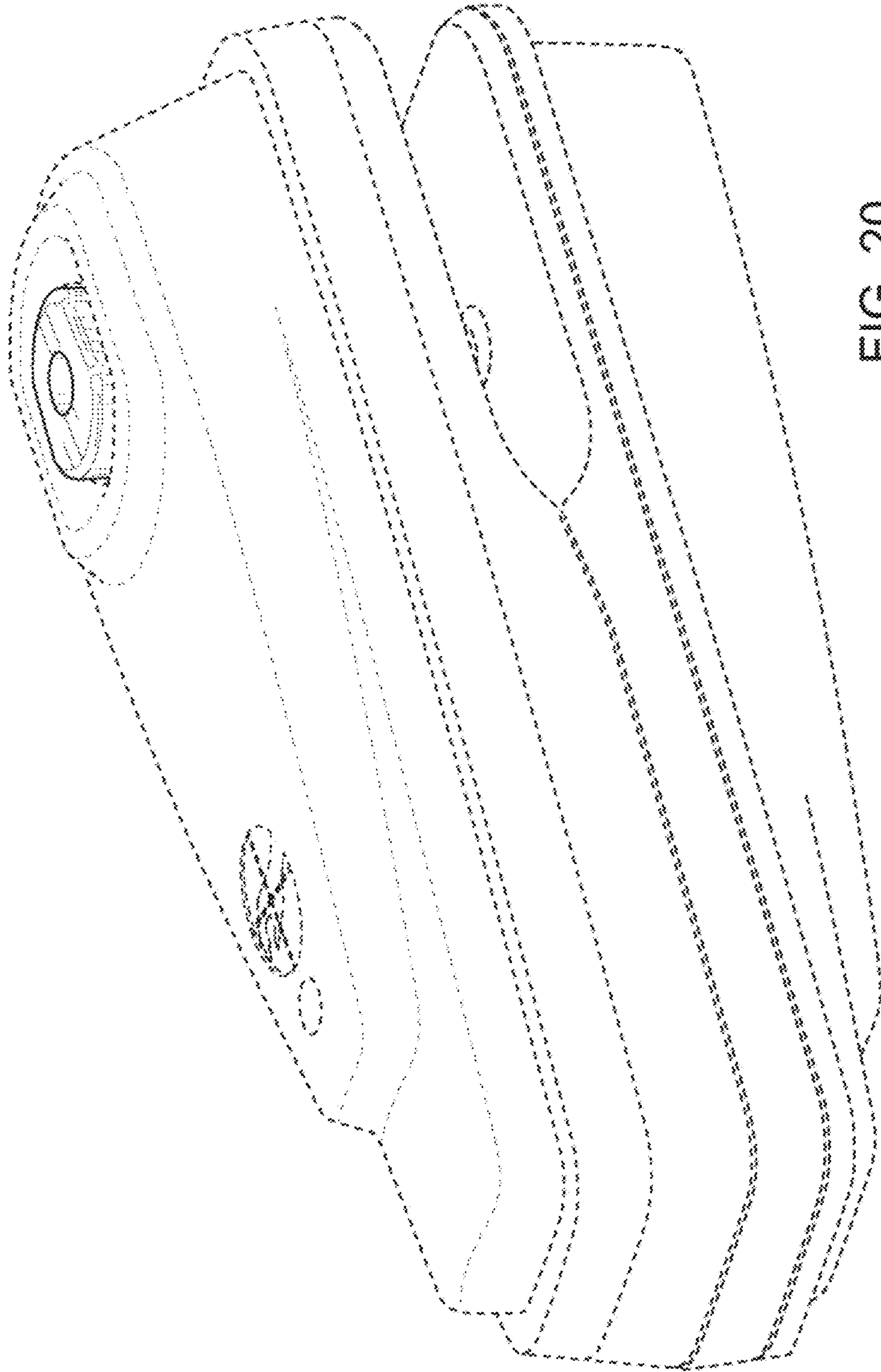


FIG. 20