



US00D988163S

(12) **United States Design Patent**  
**Laderer et al.**

(10) **Patent No.:** **US D988,163 S**  
(45) **Date of Patent:** **\*\* Jun. 6, 2023**

(54) **GAS COMPOSITION DETECTION DEVICE**

D943,440 S \* 2/2022 Seimori ..... D10/81  
D947,045 S \* 3/2022 Baxter ..... E21B 47/06

(71) Applicant: **Loci Controls, Inc.**, Wareham, MA  
(US)

2018/0164137 A1\* 6/2018 Layher ..... E21B 47/06

(72) Inventors: **Matthew Laderer**, Providence, RI  
(US); **Michael Gleick**, North Easton,  
MA (US); **Casey Campbell**, Acushnet,  
MA (US)

**OTHER PUBLICATIONS**

U.S. Appl. No. 29/778,441, filed Apr. 13, 2021, Laderer et al.  
Laderer et al., Gas composition detection device and pipe assembly.  
Co-pending U.S. Appl. No. 29/778,441, filed Apr. 13, 2021.

(73) Assignee: **Loci Controls, Inc.**, Wareham, MA  
(US)

\* cited by examiner

*Primary Examiner* — Antoine Duval Davis

(\*\*) Term: **15 Years**

(74) *Attorney, Agent, or Firm* — Wolf, Greenfield &  
Sacks, P.C.

(21) Appl. No.: **29/778,439**

(57) **CLAIM**

(22) Filed: **Apr. 13, 2021**

The ornamental design for a gas composition detection  
device, as shown and described.

(51) **LOC (14) Cl.** ..... **10-04**

**DESCRIPTION**

(52) **U.S. Cl.**

USPC ..... **D10/103**

(58) **Field of Classification Search**

USPC ..... D10/81, 94, 103

CPC ..... G01F 1/86; G01F 1/684; G01F 1/6842;

G01F 1/6884; G01F 1/6965; G01F

1/7086; G01F 15/04; G01F 25/15; G01F

1/7084; G01F 7/00; E21B 47/06; E21B

47/103; G01N 21/3504; G01N

2201/0221; B09B 1/00; B09B 3/00

See application file for complete search history.

This invention was made with government support under  
SBIR Phase II Award No. 1632439 awarded by the National  
Science Foundation. The government has certain rights in  
the invention.

FIG. 1 is a top, rear, left side perspective view of a gas  
composition detection device showing the claimed design;

FIG. 2 is a bottom, rear, right side perspective view thereof;

FIG. 3 is a front view thereof;

FIG. 4 is a rear view thereof;

FIG. 5 is a left side view thereof;

FIG. 6 is a right side view thereof;

FIG. 7 is a top view thereof; and,

FIG. 8 is a bottom view thereof.

The broken lines in the figures show portions of the gas  
composition detection device that form no part of the  
claimed design.

(56) **References Cited**

**U.S. PATENT DOCUMENTS**

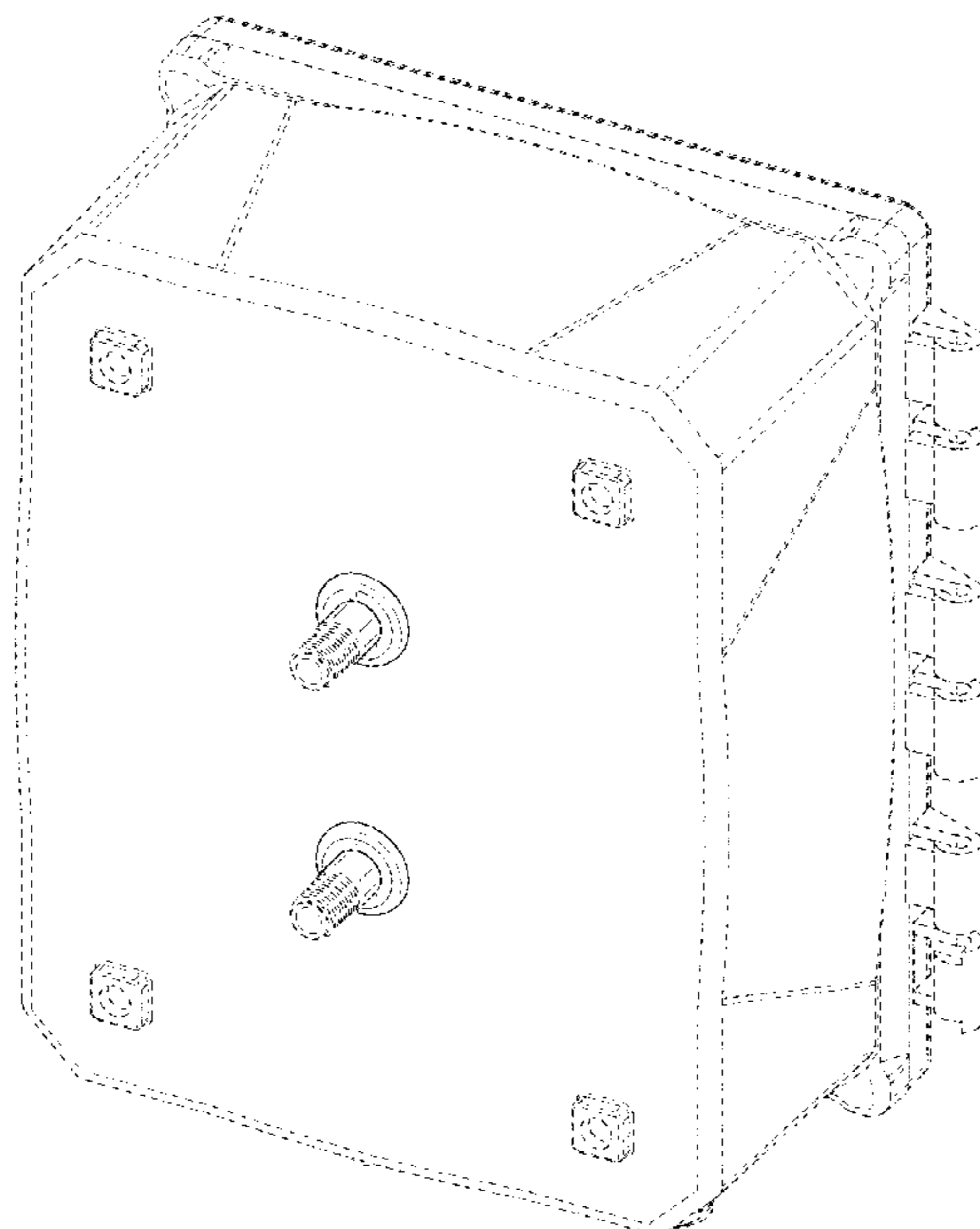
D511,214 S \* 11/2005 Sasano ..... D10/103

D750,990 S \* 3/2016 Ettlin ..... D24/223

D795,723 S \* 8/2017 Herbst ..... D24/216

D851,527 S \* 6/2019 Kelley ..... D10/103

**1 Claim, 8 Drawing Sheets**



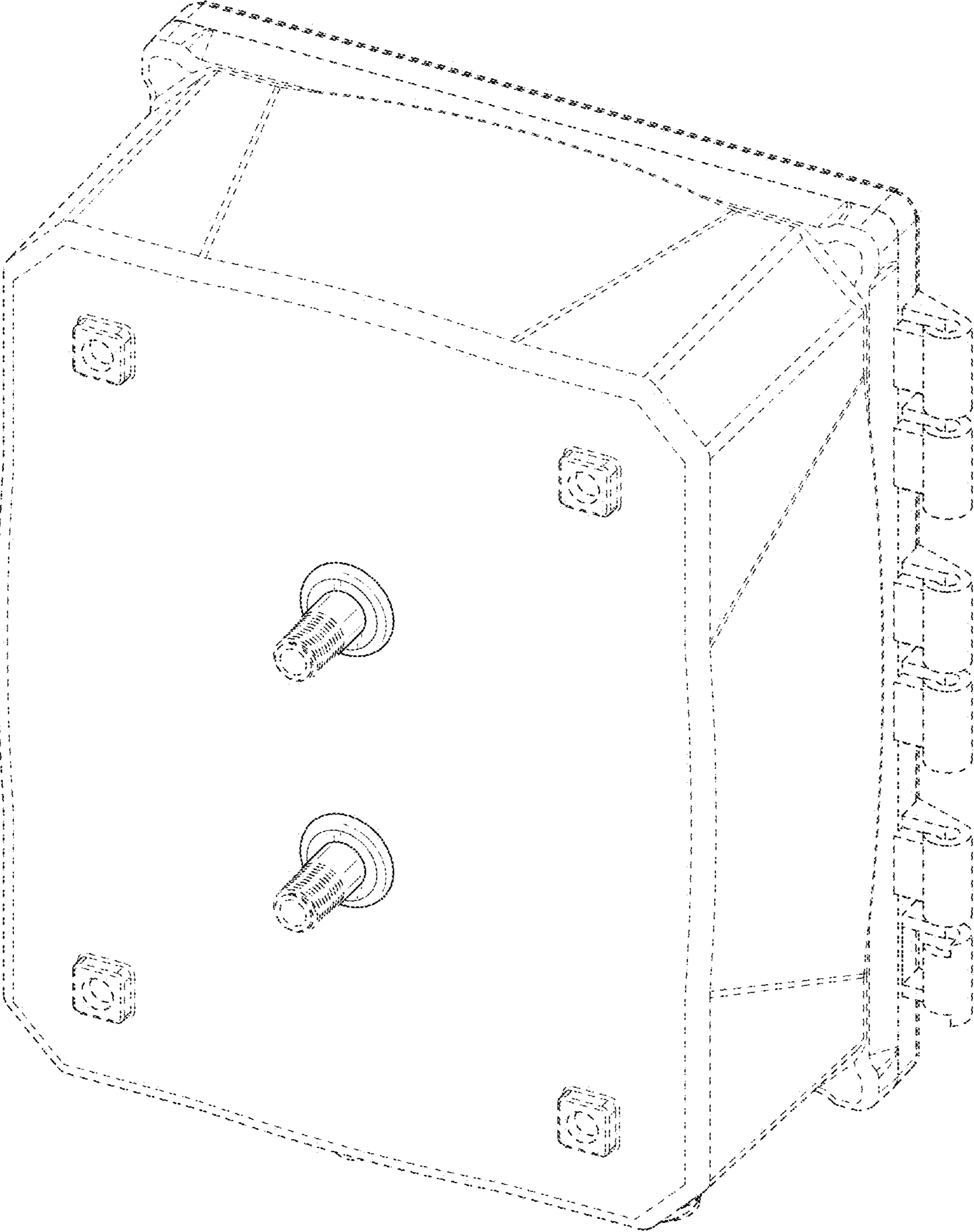


FIG. 1

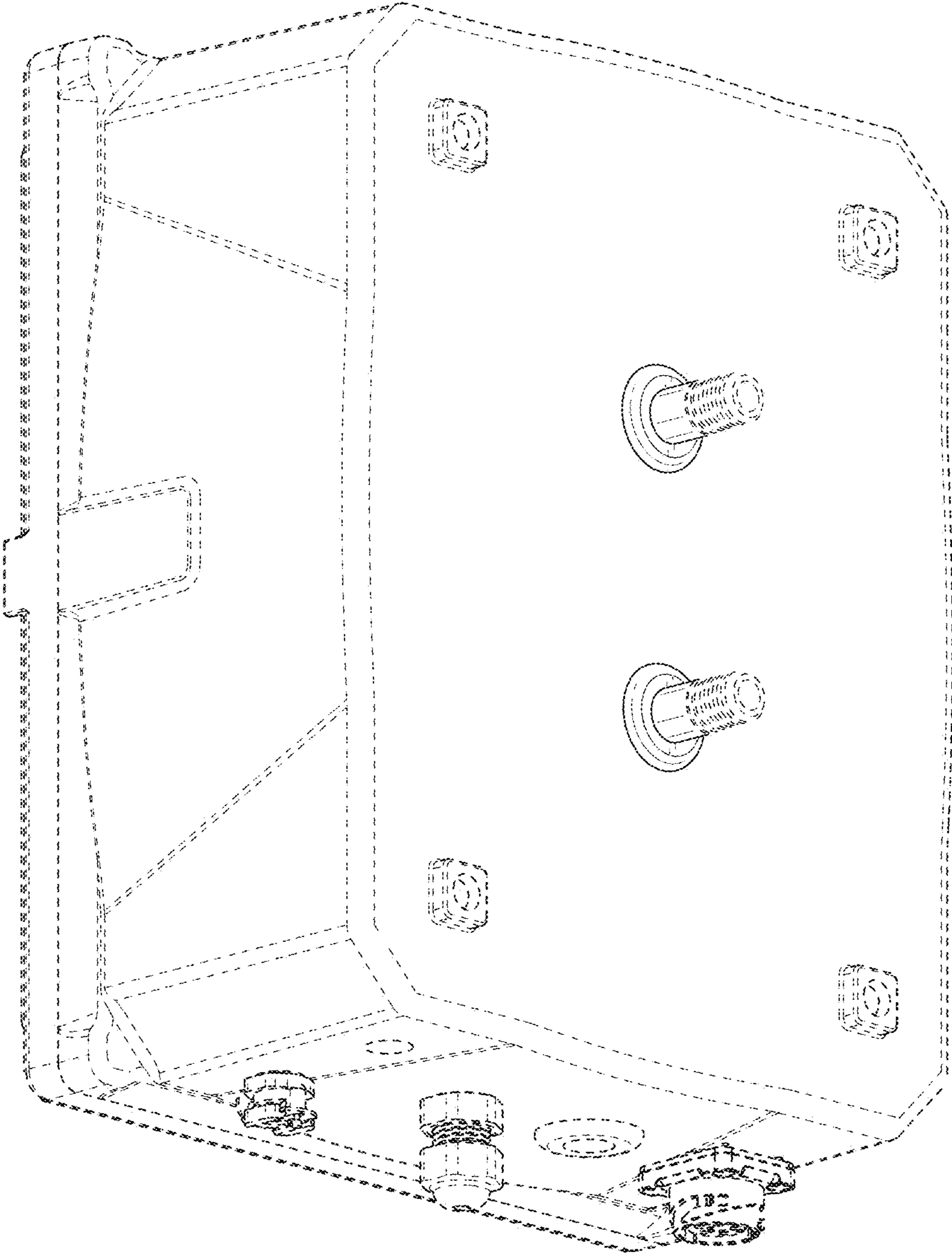


FIG. 2

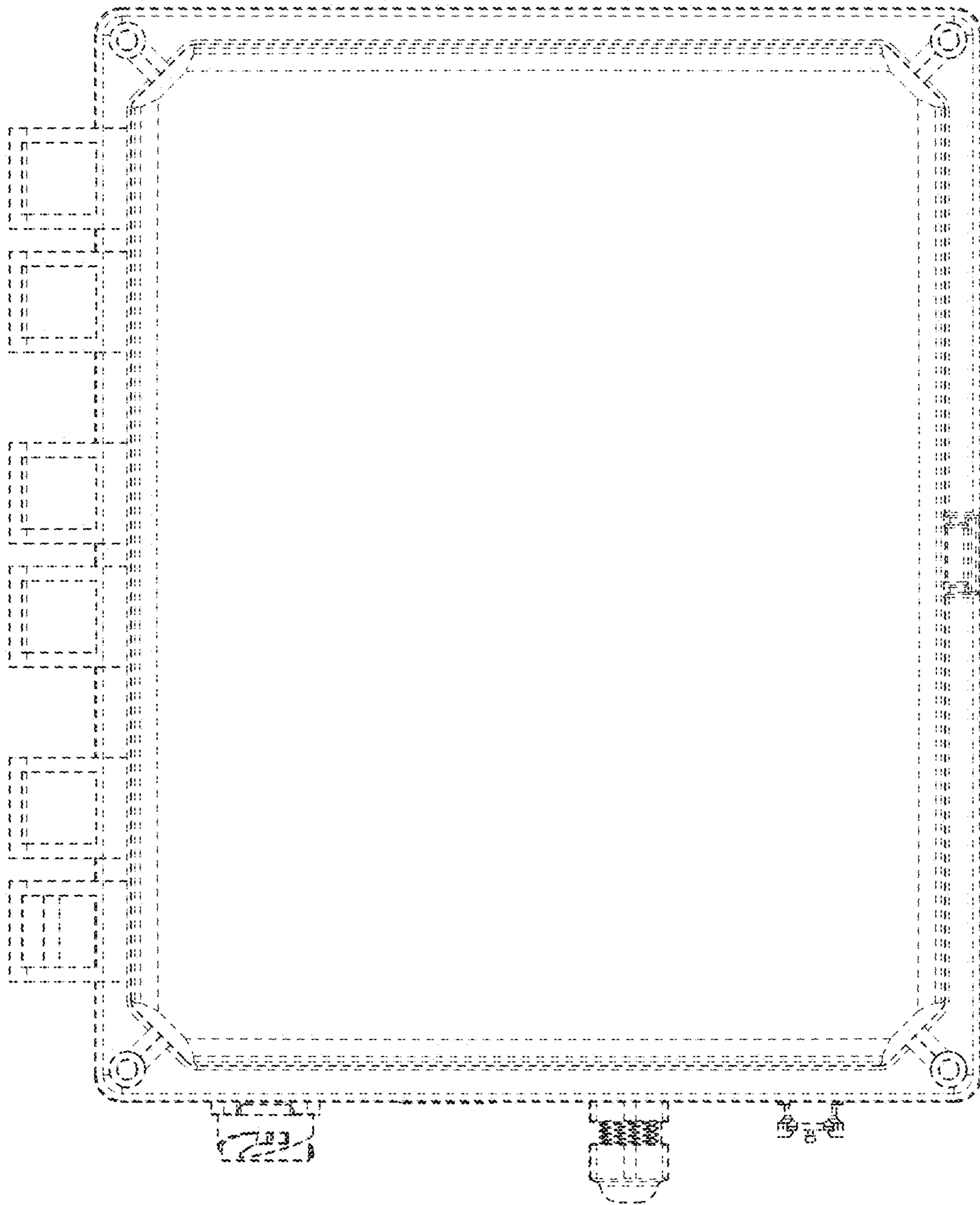


FIG. 3

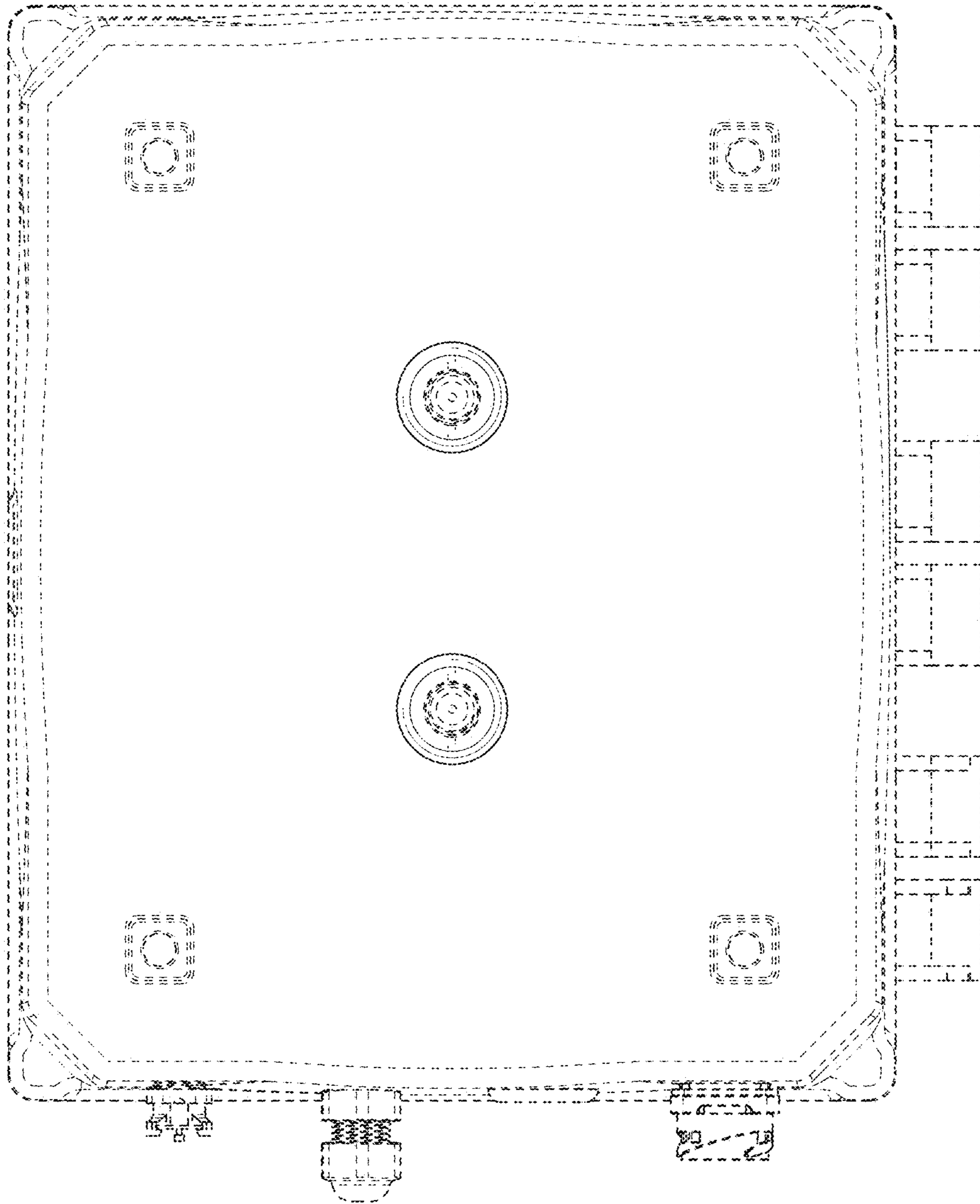


FIG. 4

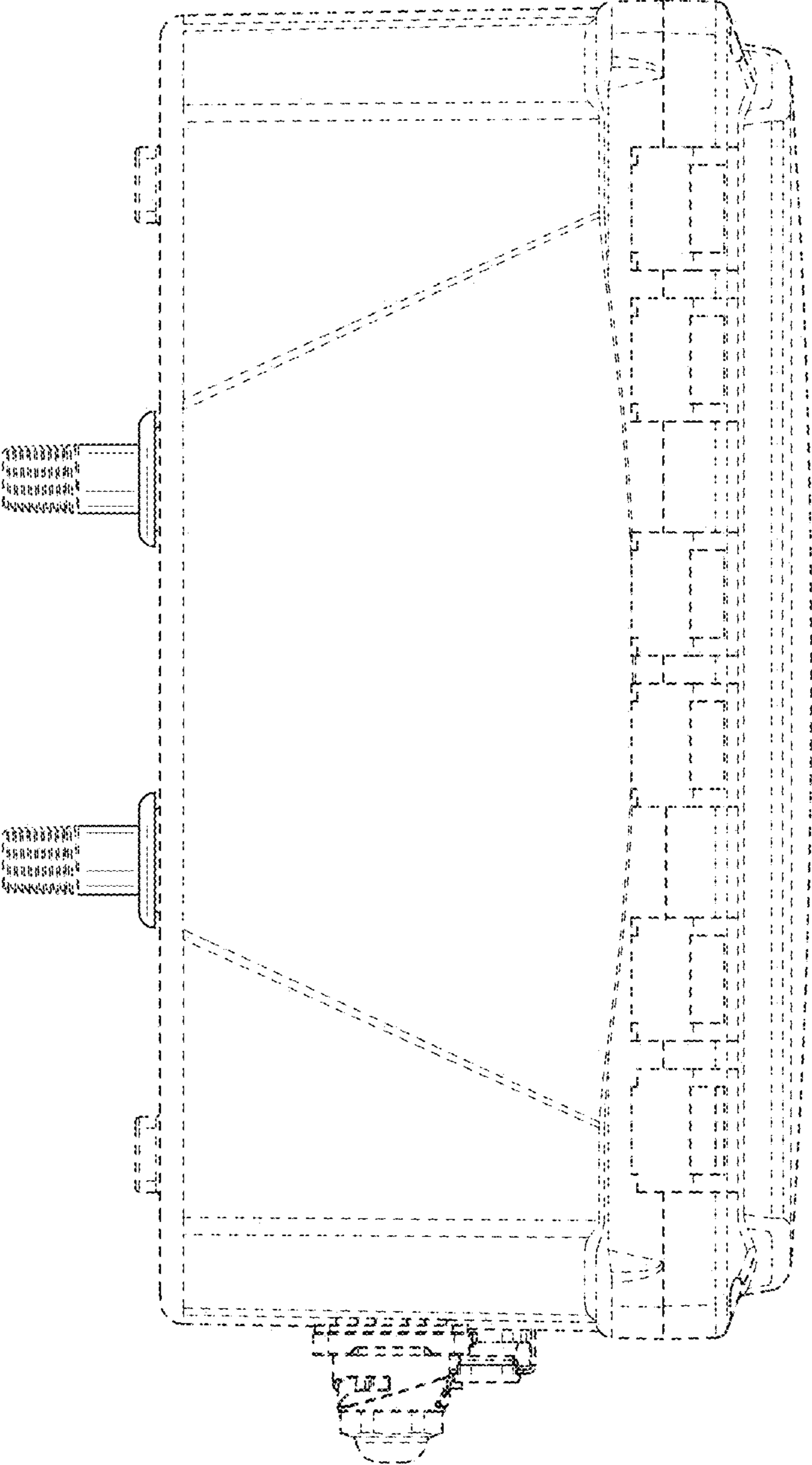


FIG. 5

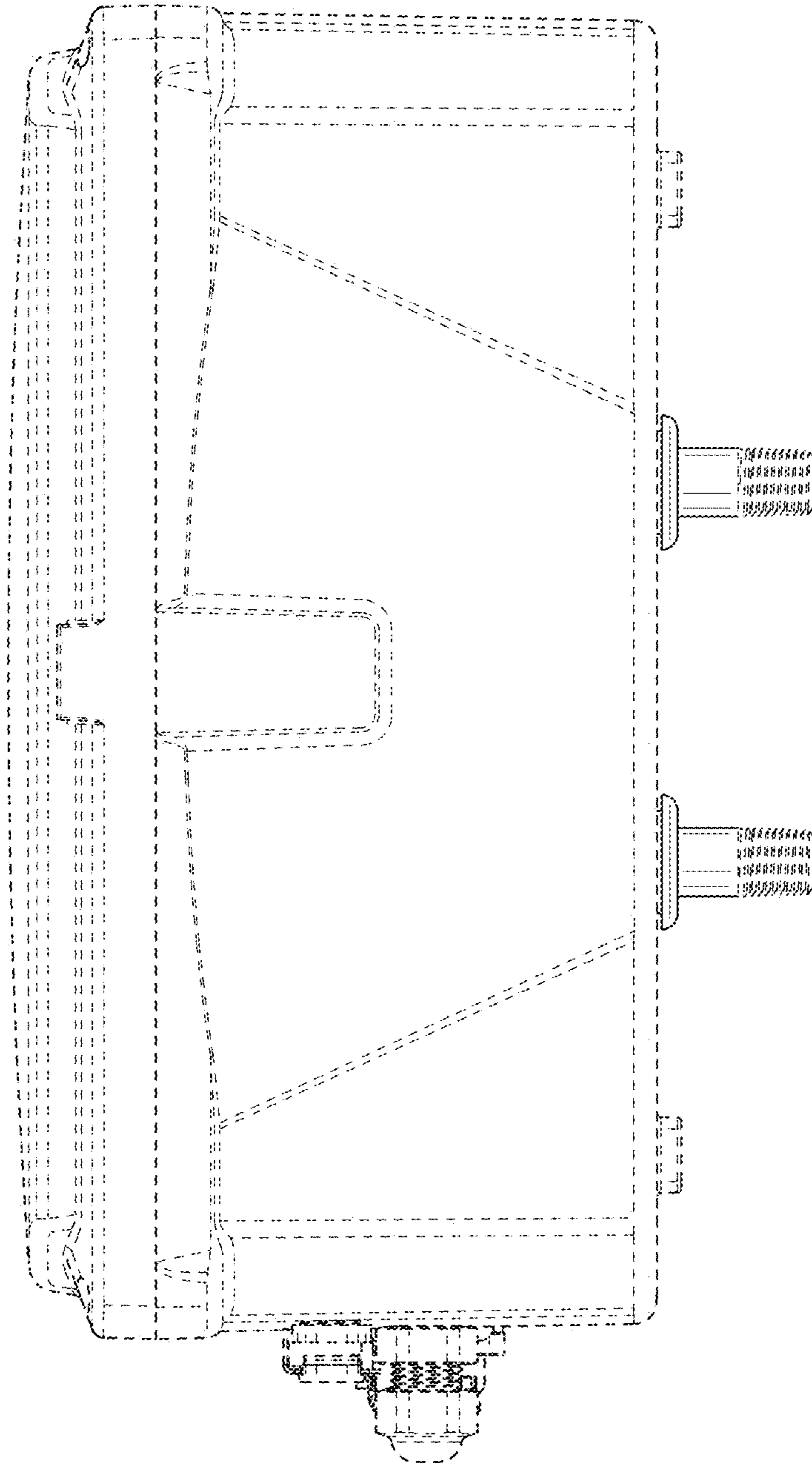


FIG. 6

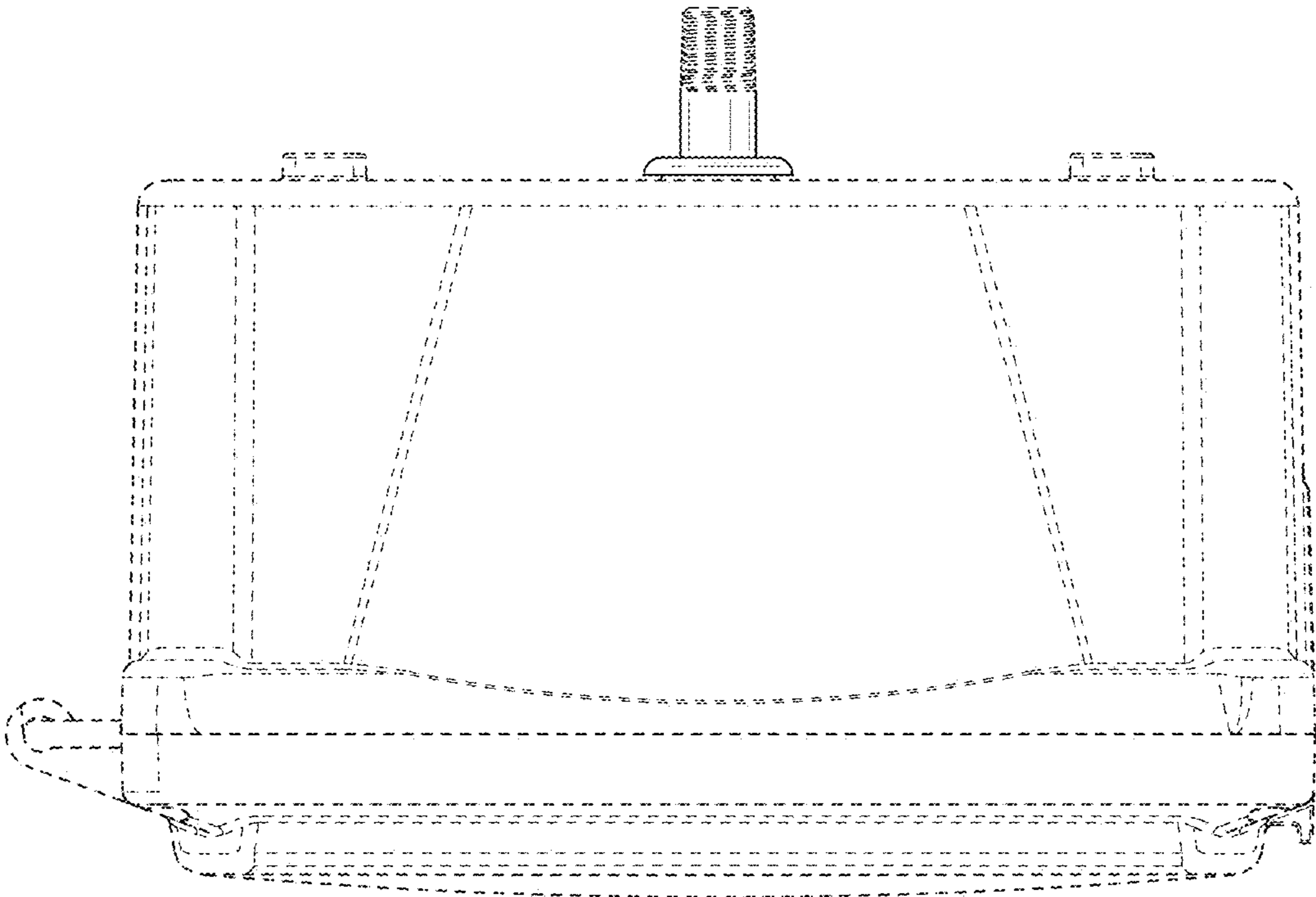


FIG. 7



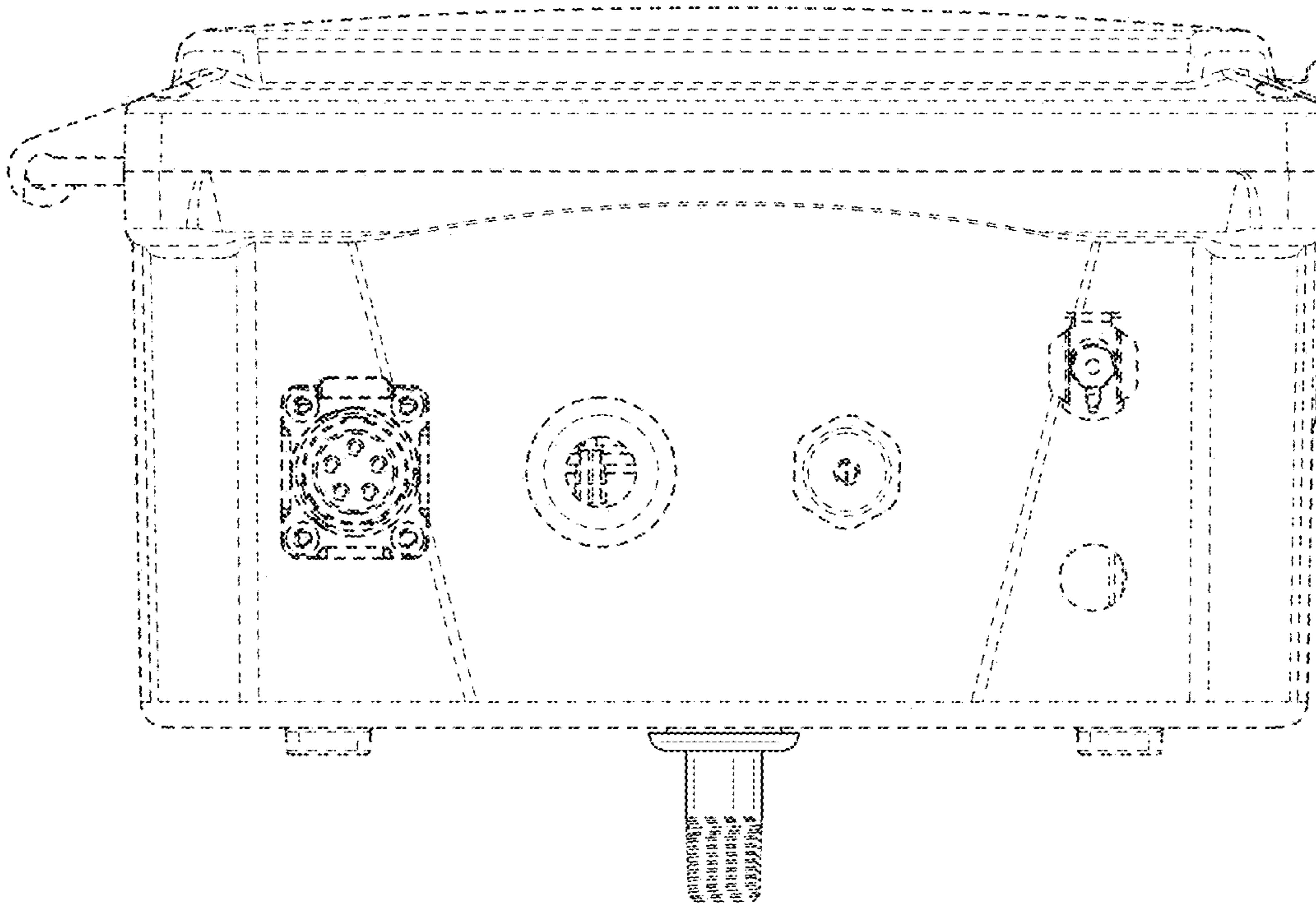


FIG. 8