



US00D988161S

(12) **United States Design Patent** (10) **Patent No.:** **US D988,161 S**  
**Huang** (45) **Date of Patent:** **\*\* Jun. 6, 2023**

(54) **MULTIMETER**

(71) Applicant: **SHENZHEN CHENZHOU TECHNOLOGY CO., LTD.**, Shenzhen (CN)

(72) Inventor: **Junwei Huang**, Shanwei (CN)

(\*\*) Term: **15 Years**

(21) Appl. No.: **29/817,357**

(22) Filed: **Nov. 30, 2021**

(51) **LOC (14) Cl.** ..... **10-04**

(52) **U.S. Cl.**  
USPC ..... **D10/78**

(58) **Field of Classification Search**  
USPC ..... D10/75-80, 96-103; D14/383, 357, 341  
CPC ..... G06F 1/1613; G06F 1/166; G06F 1/1626;  
G06F 2213/0042; G06F 2200/1633; G06F  
1/1656; G07C 2205/02; G07C 5/006;  
G07C 5/0825; G07C 5/008; G07C  
5/0808; H04B 1/3877; F16M 11/10;  
F16M 13/005; G06Q 30/0235; H02J 9/02;  
H02J 7/0048; H02J 7/005; H02J 9/065;  
H05B 47/29; H05B 47/20; H05B 47/28;  
F21S 9/024; F21V 21/14; F21Y 2115/10;  
H01R 43/20; H01R 2201/20; H01R  
11/24; H01R 11/281; G01R 1/06711;  
G01R 31/3646; G01R 31/385; G01R  
1/04; Y02E 60/10; Y10T 29/4922; H01M  
10/4285

See application file for complete search history.

(56) **References Cited**

**U.S. PATENT DOCUMENTS**

D646,188 S \* 10/2011 Chen ..... D10/78  
D813,062 S \* 3/2018 He ..... D10/70  
D818,466 S \* 5/2018 Chang ..... D14/341  
D833,308 S \* 11/2018 Burke ..... D10/78  
D908,157 S \* 1/2021 Sun ..... D14/138 G  
D909,218 S \* 2/2021 Choi ..... D10/78

D931,746 S \* 9/2021 Lu ..... D10/77  
D939,987 S \* 1/2022 Heggland ..... D10/98  
D954,572 S \* 6/2022 Fu ..... D10/78  
D968,245 S \* 11/2022 Yang ..... D10/78

(Continued)

**FOREIGN PATENT DOCUMENTS**

CN 305617297 \* 9/2019  
CN 306380821 \* 9/2020

(Continued)

**OTHER PUBLICATIONS**

Usmile, Aneng Manual Pocket Digital Multimeter, Date first available Oct. 15, 2017, [online] retrieved Feb. 1, 2023, available from <https://www.amazon.com/DP/B09BMYTB7W> (Year: 2017).\*

(Continued)

*Primary Examiner* — Keli L Hill  
*Assistant Examiner* — Sara S Sahnneh  
(74) *Attorney, Agent, or Firm* — Daniel M. Cohn;  
Howard M. Cohn

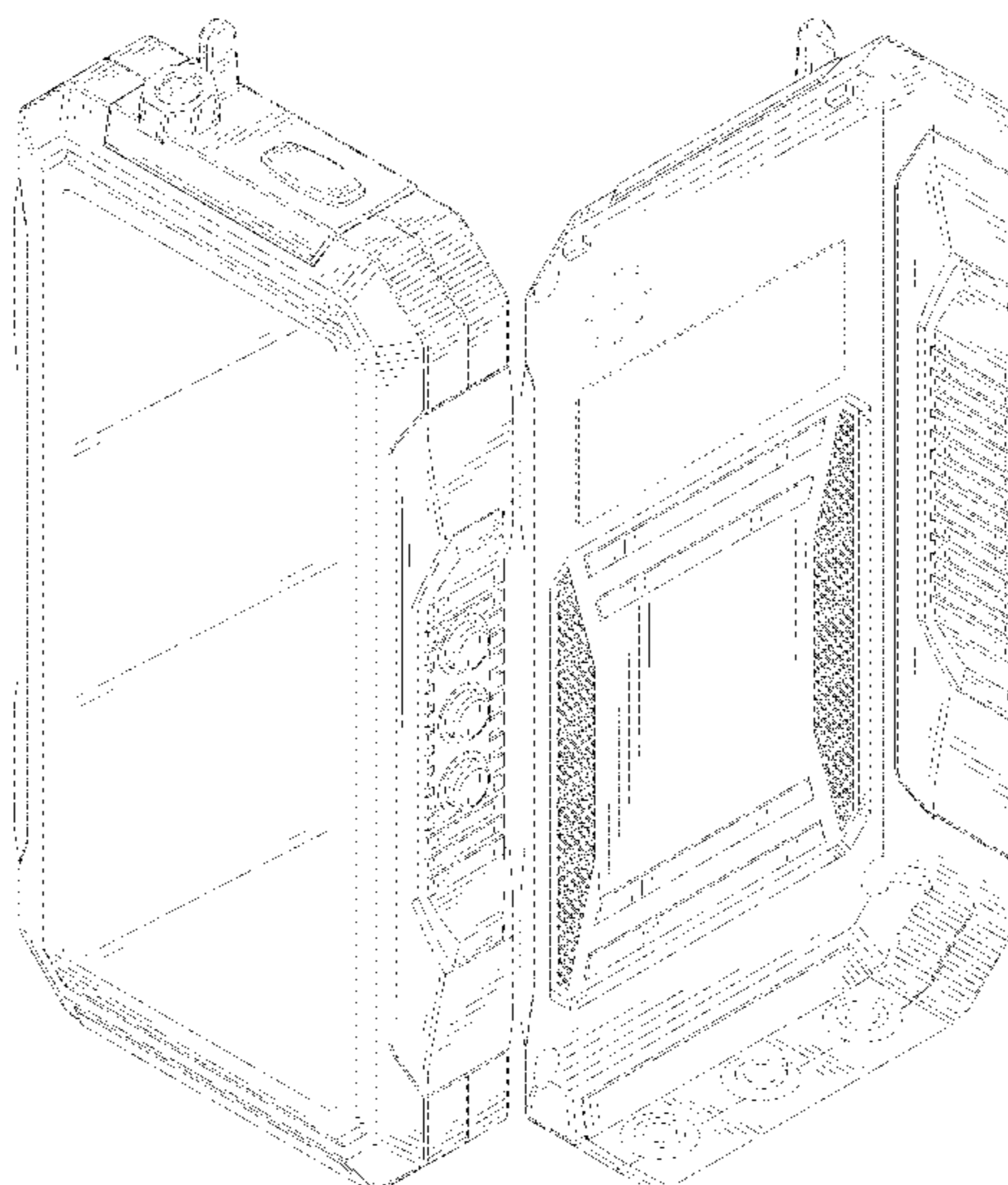
(57) **CLAIM**

The ornamental design for a multimeter, as shown and described.

**DESCRIPTION**

FIG. 1 is a perspective view of a multimeter showing my new design;  
FIG. 2 is another perspective view thereof;  
FIG. 3 is a front elevational view thereof;  
FIG. 4 is a rear elevational view thereof;  
FIG. 5 is a left side elevational view thereof;  
FIG. 6 is a right side elevational view thereof;  
FIG. 7 is a top plan view thereof; and,  
FIG. 8 is a bottom plan view thereof.  
The broken lines in the drawings depict portions of the multimeter that form no part of the claimed design.

**1 Claim, 8 Drawing Sheets**



(56)

**References Cited**

U.S. PATENT DOCUMENTS

D971,760 S \* 12/2022 Wang ..... D10/78  
2021/0304530 A1 \* 9/2021 Chen ..... G07C 5/0808  
2022/0158462 A1 \* 5/2022 Lei ..... H02J 7/0045

FOREIGN PATENT DOCUMENTS

CN 306529747 \* 11/2020  
CN 306767832 \* 4/2021  
CN 306823405 \* 6/2021  
CN 306869350 \* 6/2021  
CN 307599461 \* 5/2022

OTHER PUBLICATIONS

Kaiweets Store,Digital Multimeter, Date first available Mar. 10,  
2022,[online]retrieved Feb. 1, 2023,available from <https://www.amazon.com/DP/B09V7S2H5Z> (Year: 2022).\*

Supernight Store, Smart Digital Multimeter,Date first available Dec.  
20, 2021,[online]retrieved Feb. 1, 2023,available from <https://www.amazon.com/DP/B09NVF2VHB> (Year: 2021).\*

\* cited by examiner

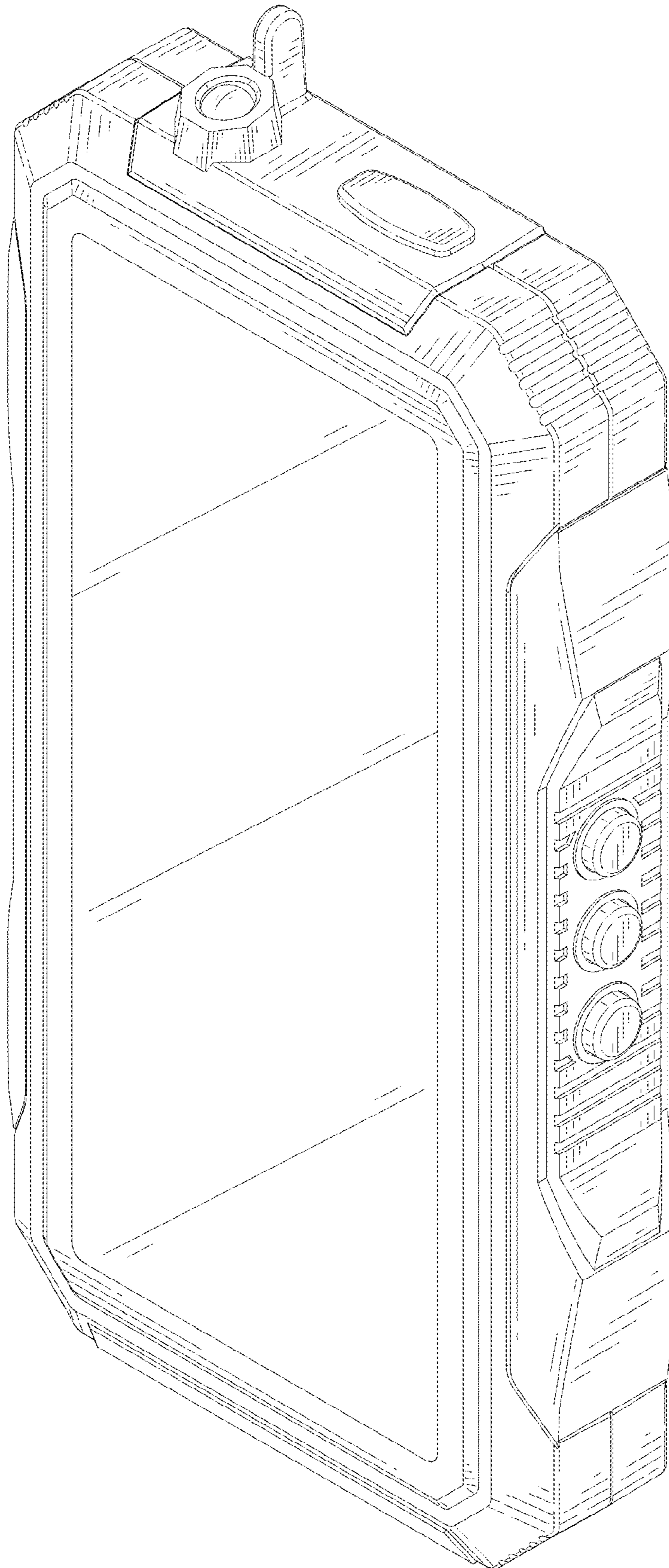


FIG. 1

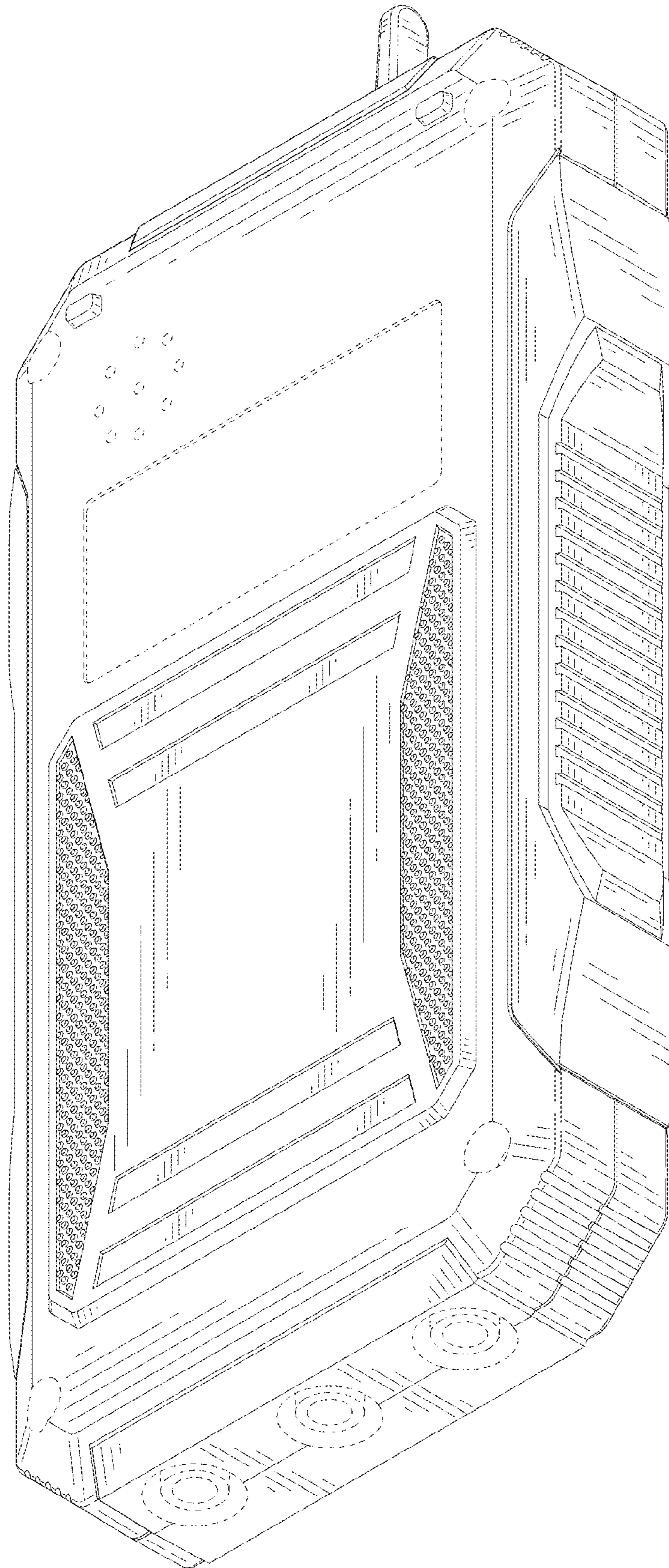


FIG. 2

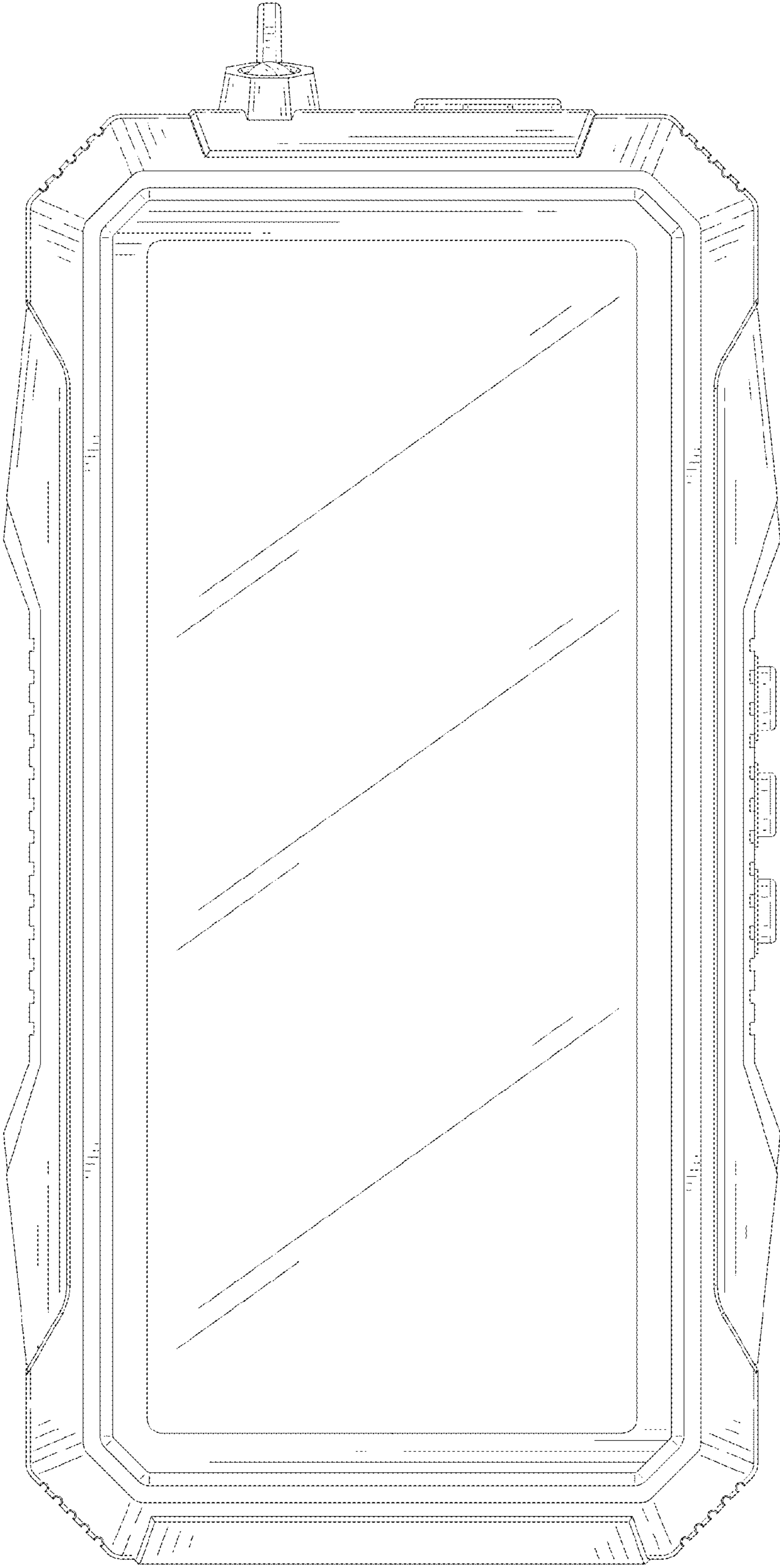


FIG. 3

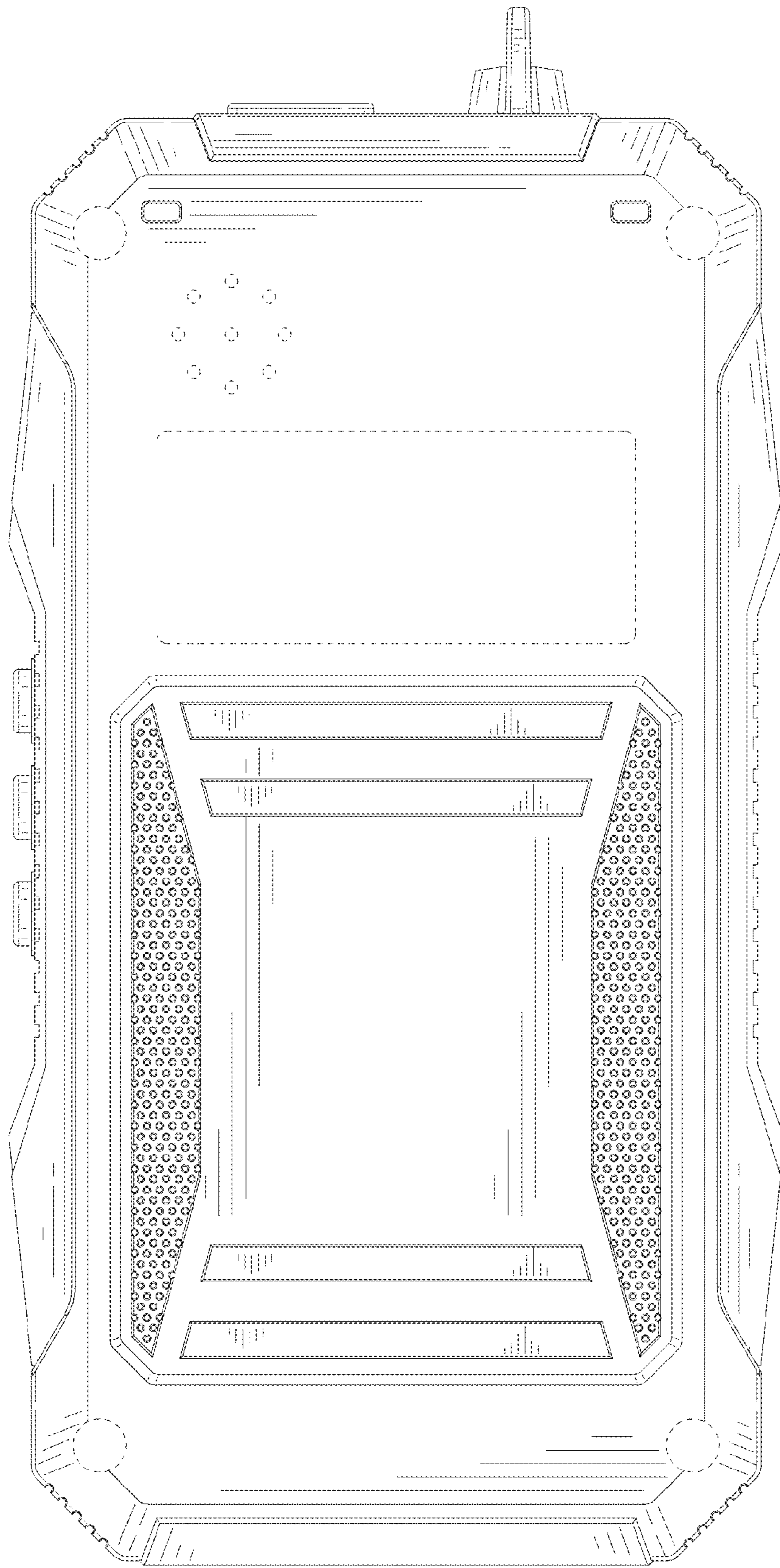


FIG. 4

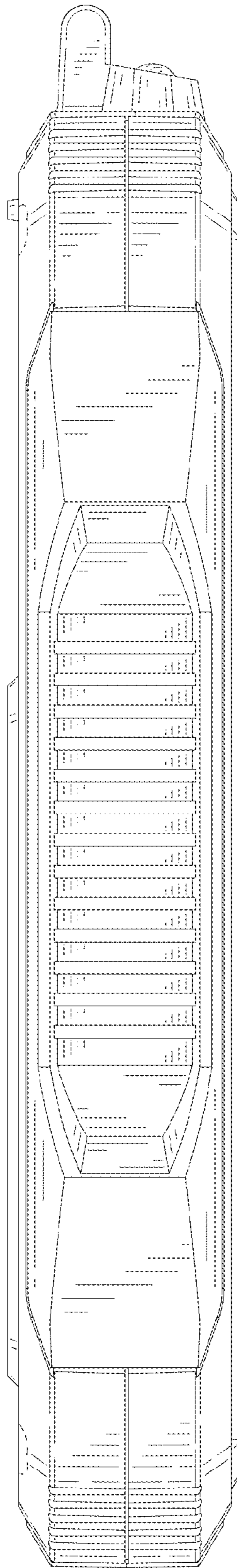


FIG. 5

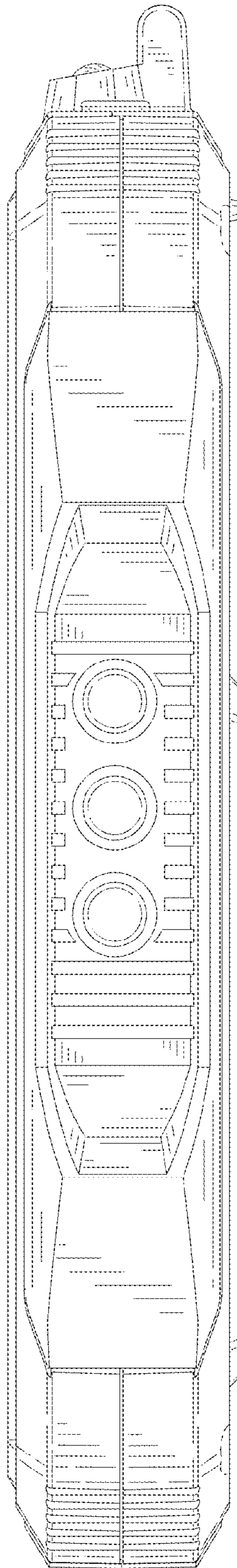


FIG. 6



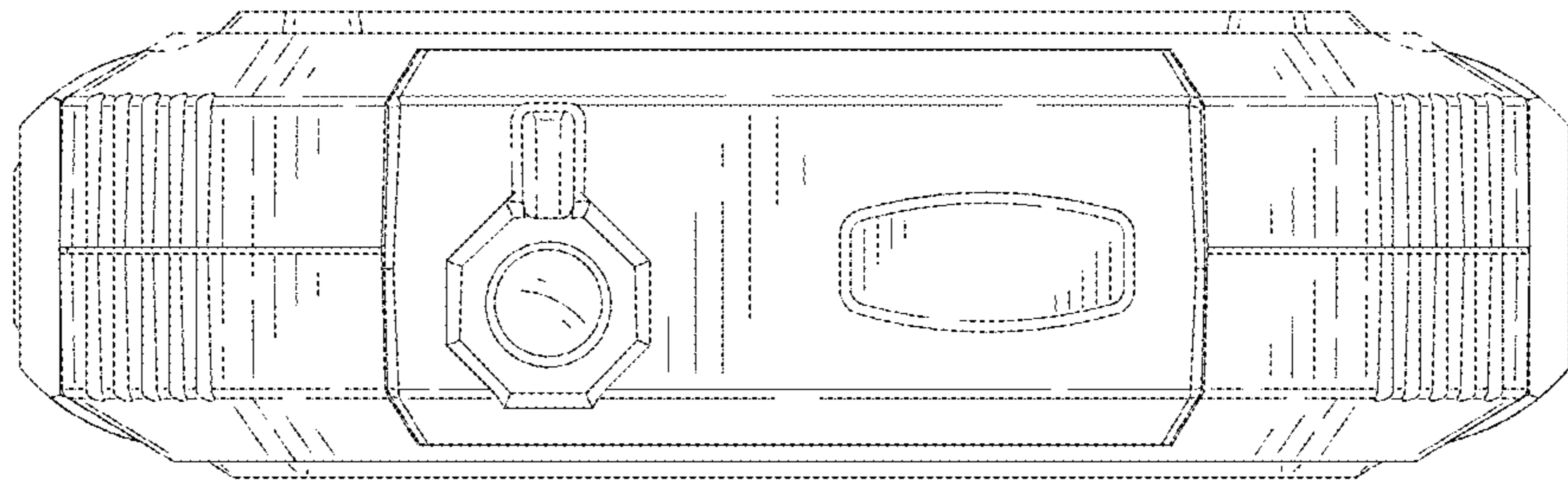


FIG. 7

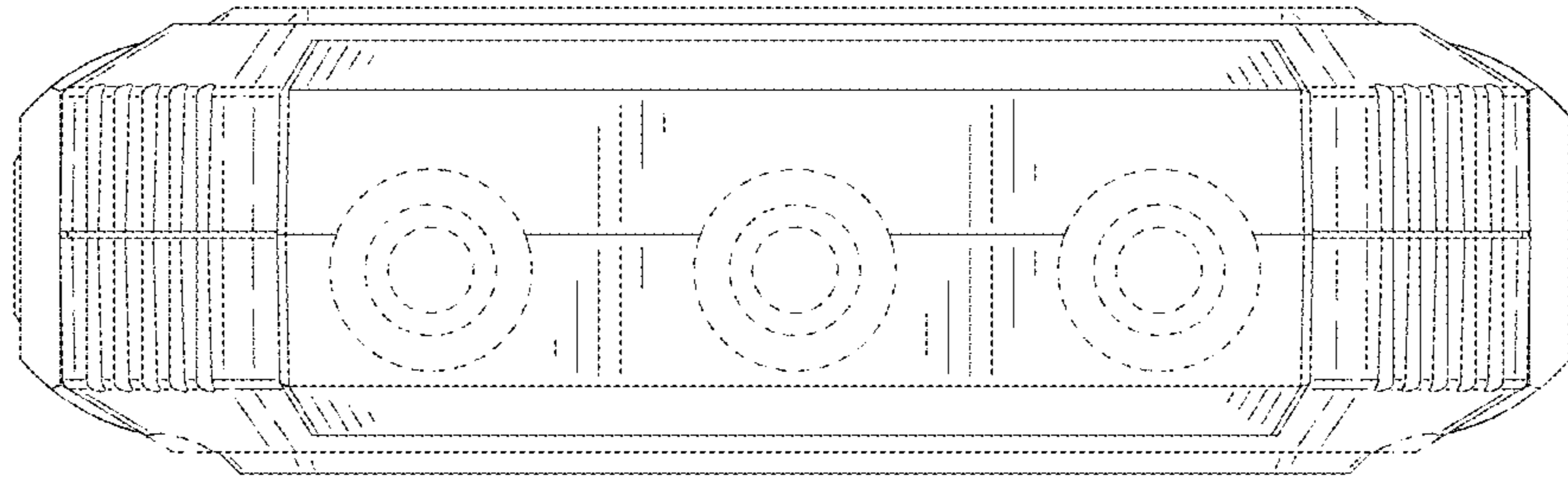


FIG. 8